



US00D788398S

(12) **United States Design Patent** (10) **Patent No.:** **US D788,398 S**  
**Wyse et al.** (45) **Date of Patent:** **\*\* \*May 30, 2017**

- (54) **POWERED WAGON** 4,589,508 A \* 5/1986 Hoover ..... B62B 1/24  
180/13
- (71) Applicant: **Granite Industries, Inc.**, Archbold, OH (US) 6,129,166 A \* 10/2000 Sueshige ..... B62B 5/0026  
180/65.6
- (72) Inventors: **Steven J. Wyse**, Archbold, OH (US);  
**Brent A. Johnston**, West Unity, OH (US) D456,971 S \* 5/2002 Abel ..... D34/12  
D461,613 S \* 8/2002 Schaefer, III ..... D34/16  
D501,974 S \* 2/2005 Lawson ..... D34/27  
D577,475 S \* 9/2008 Schneider ..... D34/16  
D589,852 S \* 4/2009 Giampavolo ..... D12/133  
D613,923 S \* 4/2010 Ludlow ..... D34/16  
7,775,306 B1 \* 8/2010 Adkins ..... B62B 1/18  
180/19.3
- (73) Assignee: **Granite Industries, Inc.**, Archbold, OH (US)

(Continued)

(\*) Notice: This patent is subject to a terminal disclaimer.

*Primary Examiner* — Cynthia Ramirez

(\*\*) Term: **15 Years**

(74) *Attorney, Agent, or Firm* — Hovey Williams LLP

(21) Appl. No.: **29/556,365**

(57) **CLAIM**

(22) Filed: **Feb. 29, 2016**

The ornamental design for a powered wagon, as shown and described.

**Related U.S. Application Data**

**DESCRIPTION**

(63) Continuation of application No. 29/510,168, filed on Nov. 25, 2014, now Pat. No. Des. 752,307.

(51) **LOC (10) Cl.** ..... **12-02**

(52) **U.S. Cl.**  
USPC ..... **D34/16**

(58) **Field of Classification Search**  
USPC ..... D34/12-27; 280/653, 33.997, 33.992,  
280/33.991, 33.993, 47.18, 47.26, 47.34,  
280/47.31, 47.15, 47.12  
CPC .. B62B 1/18; B62B 1/20; B62B 1/208; B62B  
1/204; B62B 1/22; B62B 1/00; B62B  
1/16; B62B 1/206; B62B 5/00; B62B  
5/067; B62B 5/068; B62B 5/0083; B62B  
5/062; B62B 5/006  
See application file for complete search history.

FIG. 1 is a front perspective view of a powered wagon embodying our design;  
FIG. 2 is a rear perspective view of the powered wagon shown in FIG. 1;  
FIG. 3 is a front elevational view of the powered wagon shown in FIGS. 1 and 2;  
FIG. 4 is a left side elevational view of the powered wagon depicted in FIGS. 1-3;  
FIG. 5 is a rear elevational view of the powered wagon depicted in FIGS. 1-4;  
FIG. 6 is a right side elevational view of the powered wagon depicted in FIGS. 1-5; and,  
FIG. 7 is a top plan view of the powered wagon shown in FIGS. 1-6.

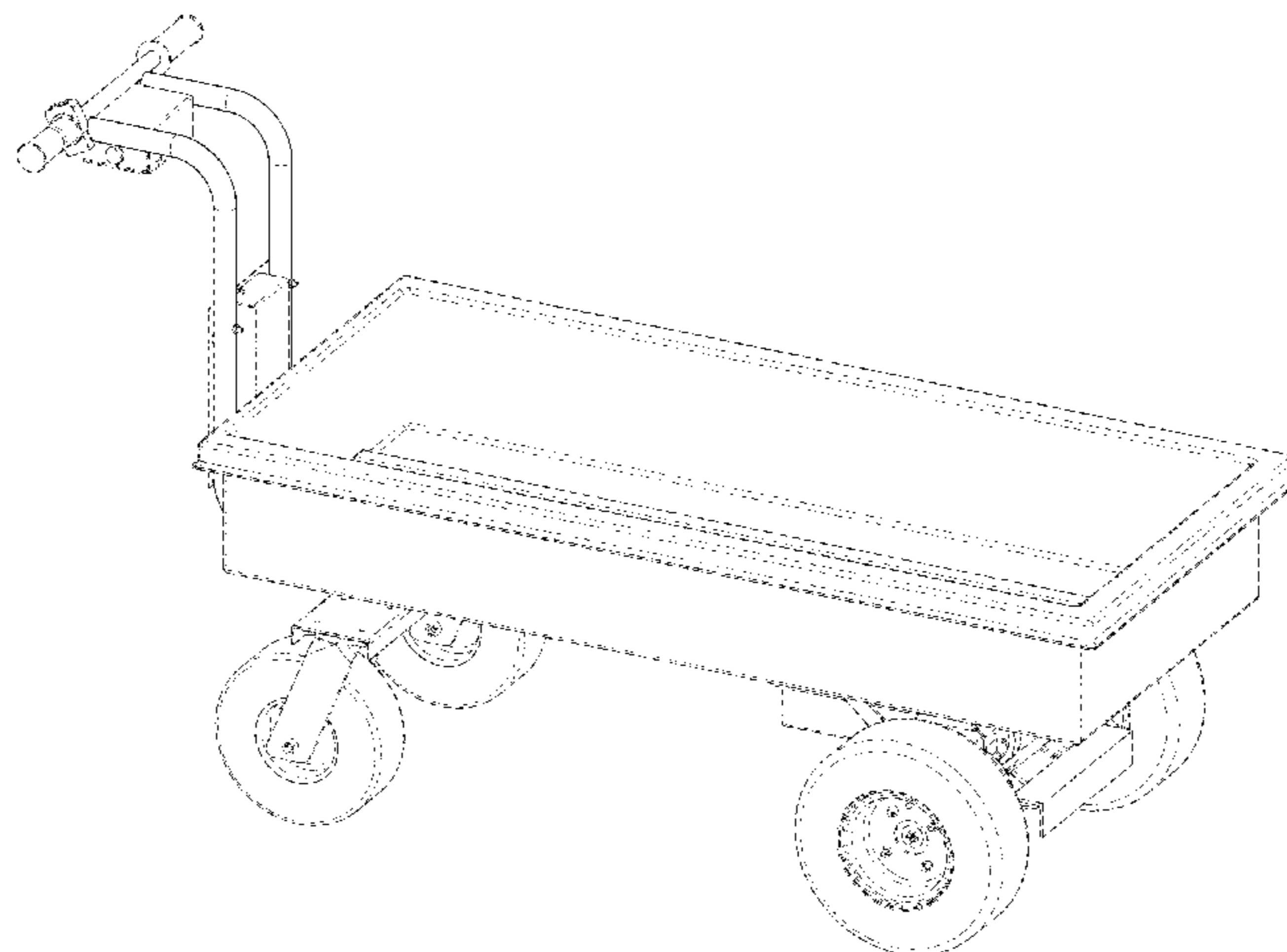
The broken lines shown in the figures are included for the purpose of illustrating environment and form no part of the claimed design.

(56) **References Cited**

**U.S. PATENT DOCUMENTS**

- D163,280 S \* 5/1951 Christie ..... 297/183.7
- 2,660,446 A \* 11/1953 Edhardt ..... B62B 1/142  
280/47.3

**1 Claim, 7 Drawing Sheets**



(56)

**References Cited**

U.S. PATENT DOCUMENTS

8,444,166	B1 *	5/2013	Jarvis	.....	B62B 3/00 280/415.1
D694,981	S *	12/2013	Albert	.....	D34/16
8,985,619	B2 *	3/2015	Celli	.....	B62B 1/002 280/47.31
D752,307	S *	3/2016	Wyse	.....	D34/12
D752,834	S *	3/2016	Wyse	.....	D34/12
D752,836	S *	3/2016	Wyse	.....	D34/16
D752,837	S *	3/2016	Wyse	.....	D34/16
2012/0181762	A1 *	7/2012	Skijus	.....	B60N 3/026 280/47.31
2015/0158515	A1 *	6/2015	Tabrizi	.....	B62B 1/18 280/47.31

\* cited by examiner

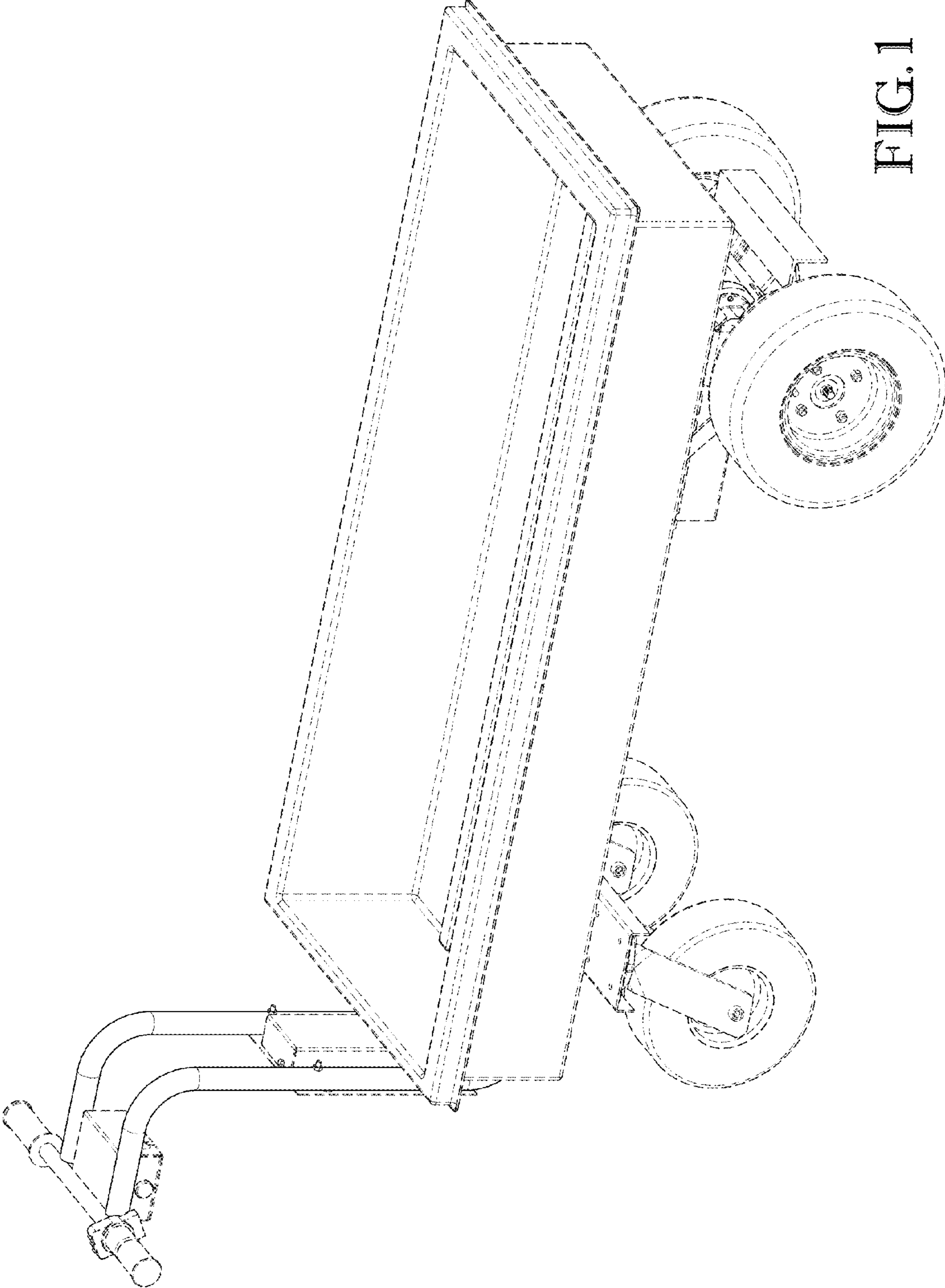


FIG. 1

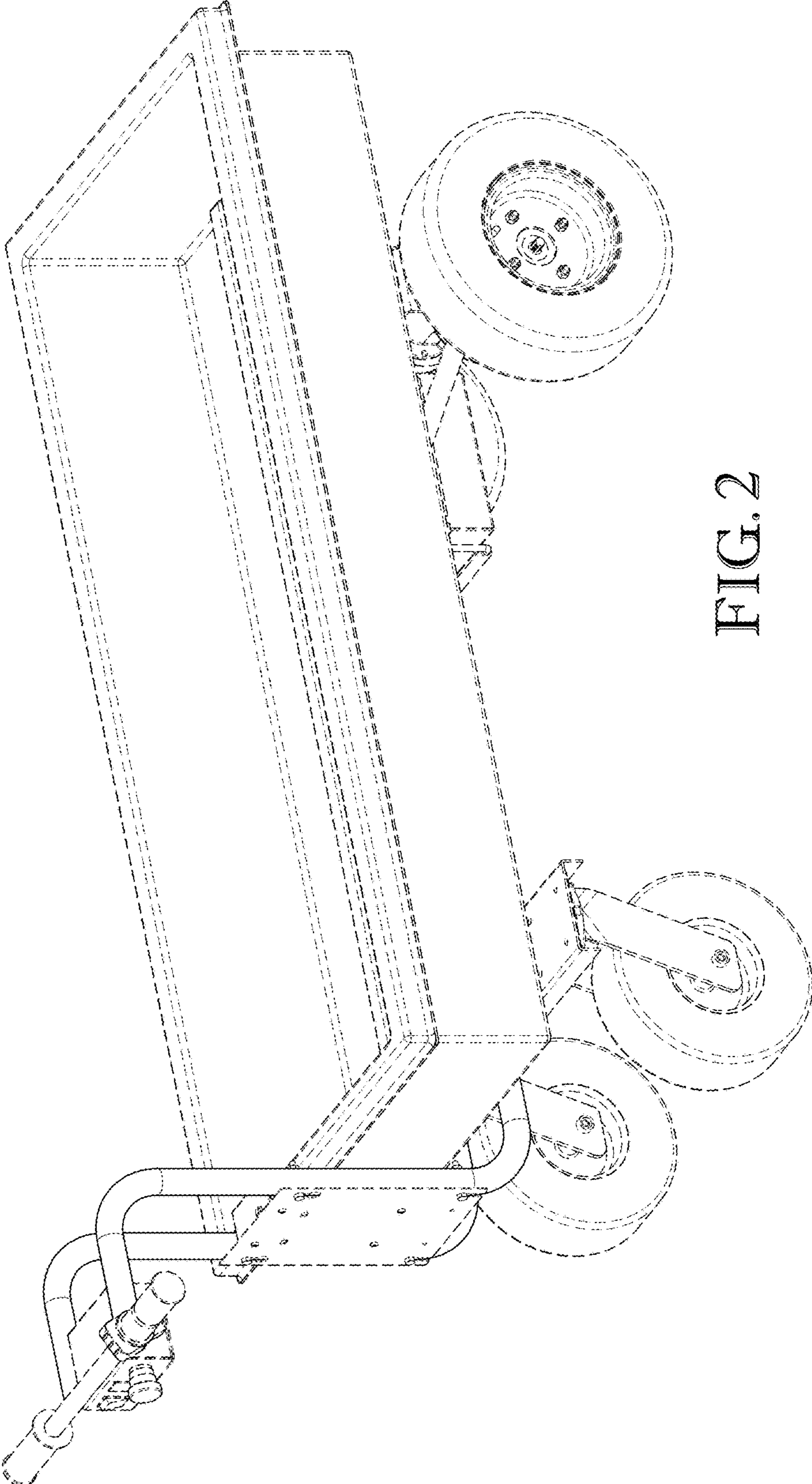


FIG. 2



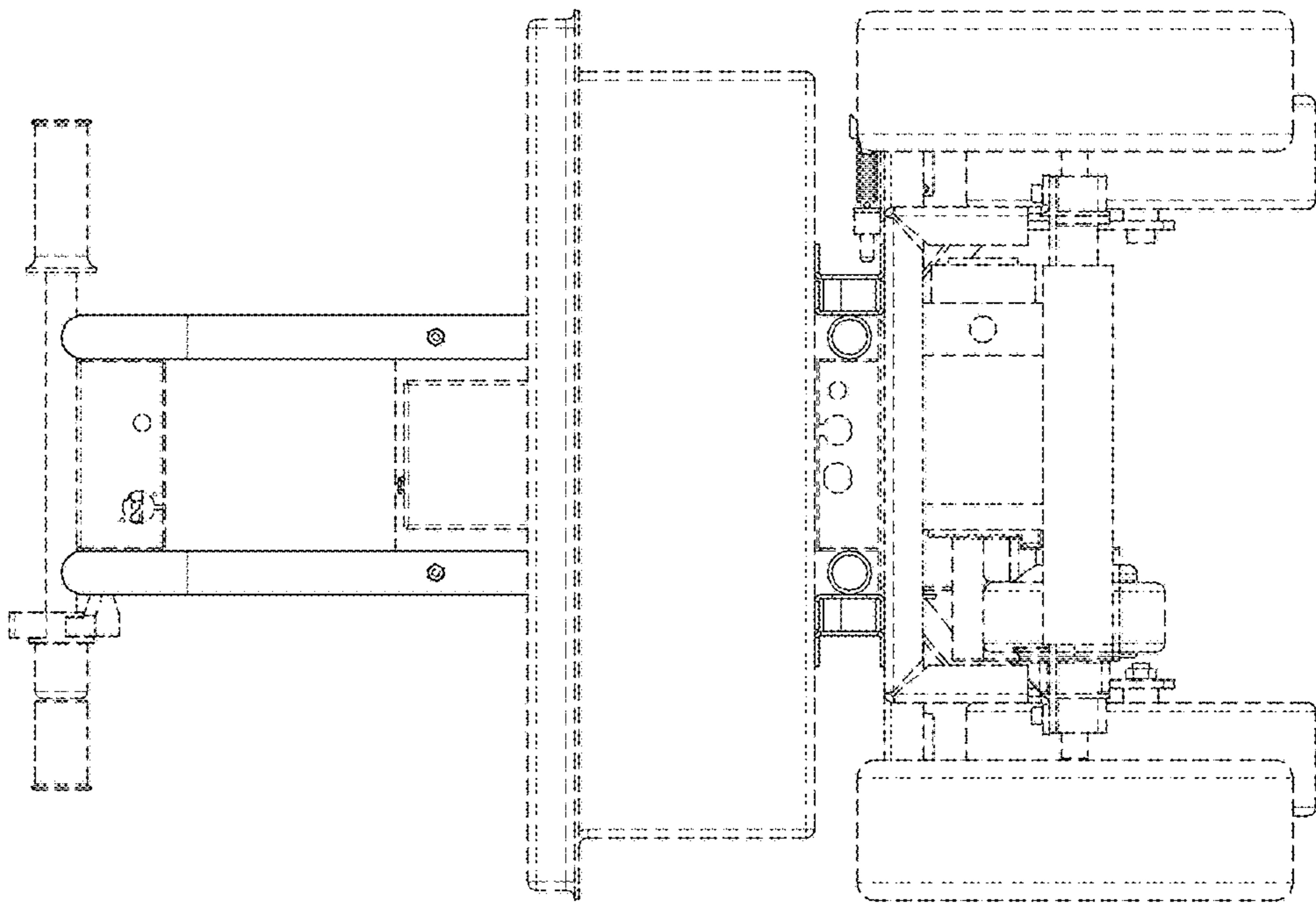


FIG. 3

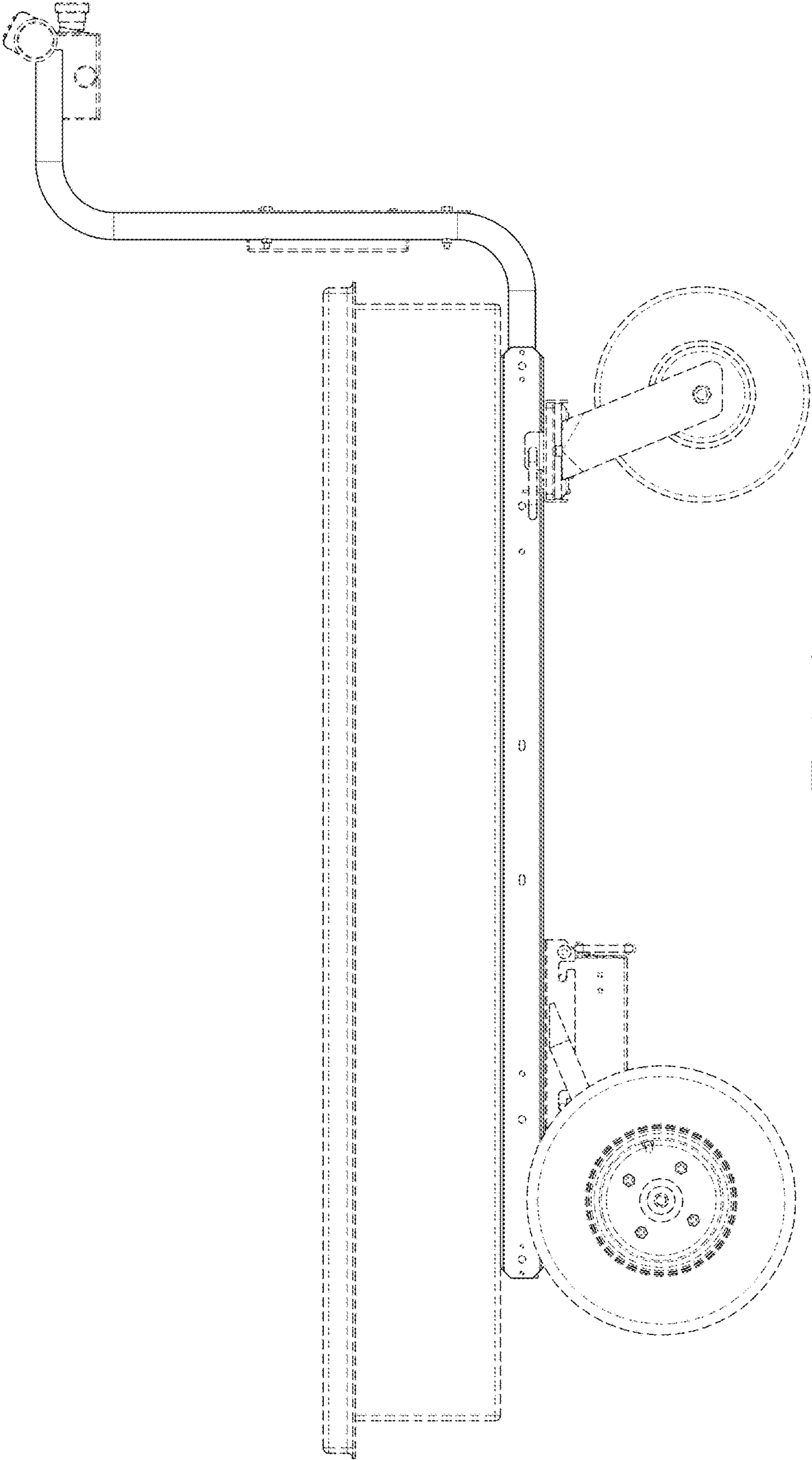


FIG. 4

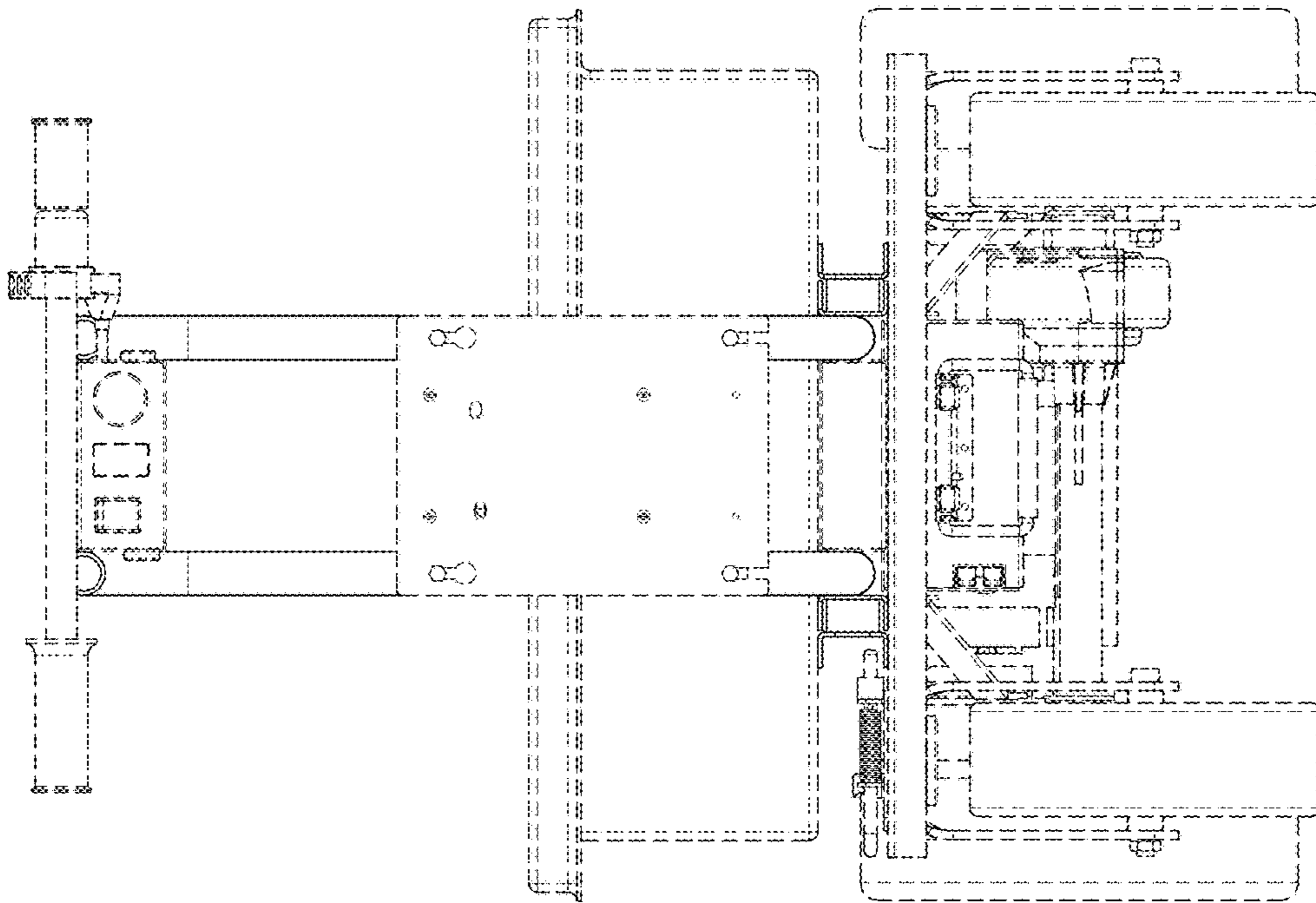


FIG. 5

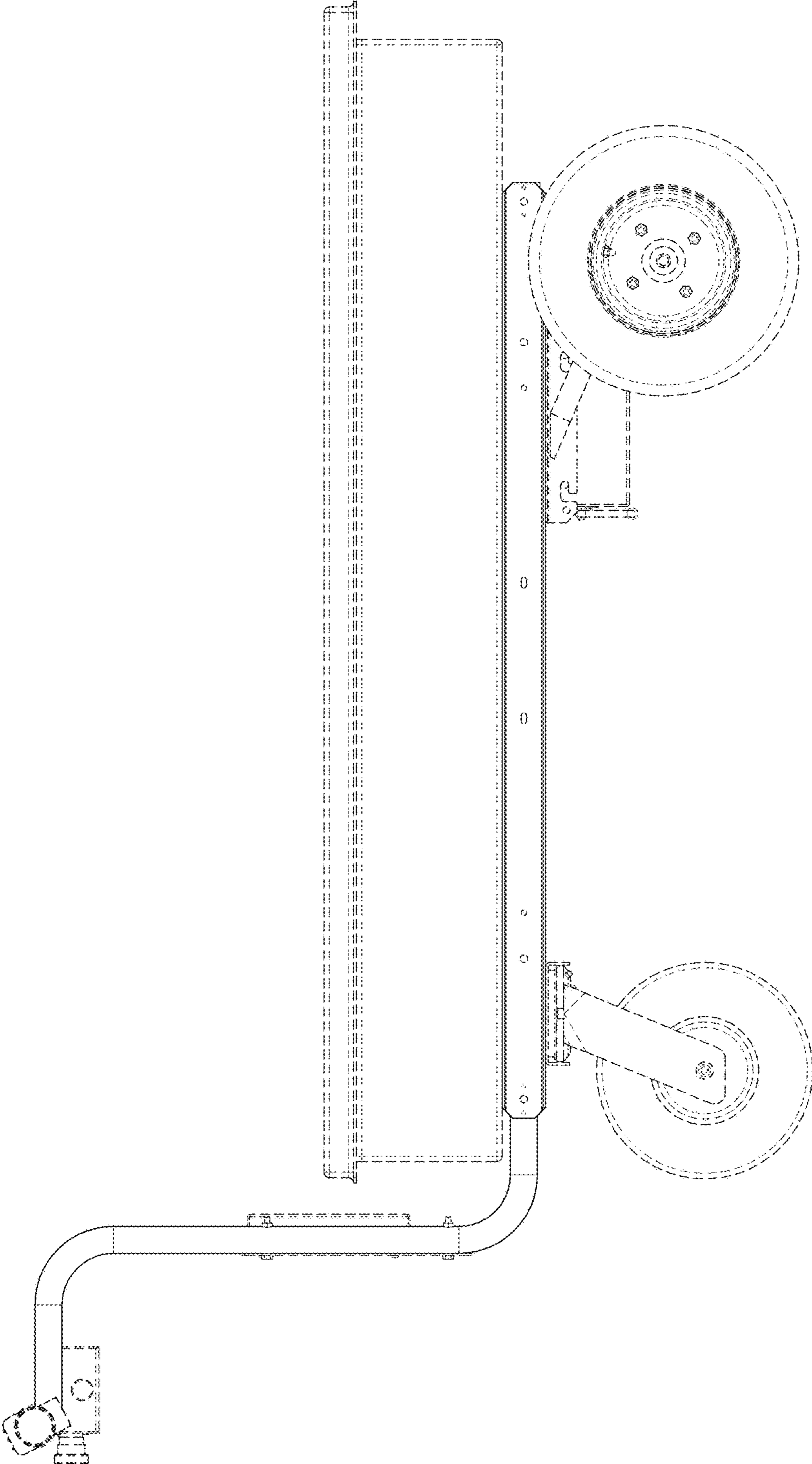


FIG. 6



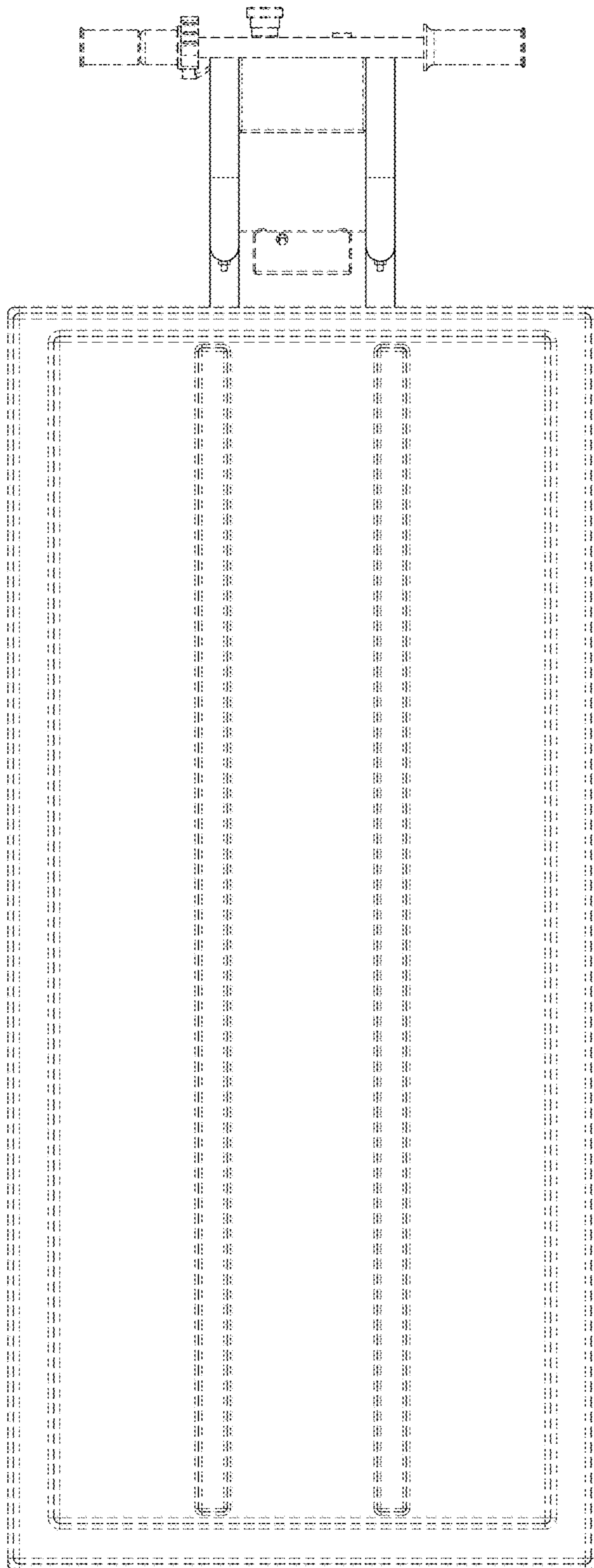


FIG. 7