



US00D788397S

(12) **United States Design Patent** (10) **Patent No.:** **US D788,397 S**
Tan (45) **Date of Patent:** **** May 30, 2017**

(54) **GARMENT STEAMER**

(56) **References Cited**

(71) Applicant: **KONINKLIJKE PHILIPS N.V.**,
Eindhoven (NL)

(72) Inventor: **Mui Luang Tan**, Singapore (SG)

(73) Assignee: **KONINKLIJKE PHILIPS N.V.**,
Eindhoven (NL)

(**) Term: **15 Years**

(21) Appl. No.: **29/534,501**

(22) Filed: **Jul. 29, 2015**

(30) **Foreign Application Priority Data**

Jan. 29, 2015 (EM) 002622407-0001

(51) **LOC (10) Cl.** **07-05**

(52) **U.S. Cl.**
USPC **D32/73**

(58) **Field of Classification Search**
USPC D32/71, 73, 72, 70, 69, 68, 35; D8/71,
D8/373, 349, 396, 30; D15/144, 144.2;
D28/73; 219/231, 242, 229; 165/80.1;
126/414

CPC D06F 75/34; D06F 75/08; D06F 75/38;
D06F 75/00; F22B 27/14; B08B 3/006

See application file for complete search history.

U.S. PATENT DOCUMENTS

D576,363 S *	9/2008	Reiner	D32/17
D610,759 S *	2/2010	Wai	D32/25
D659,919 S *	5/2012	Lin	D32/17
D660,538 S *	5/2012	Smith	D32/71
D693,083 S *	11/2013	Smith	D32/71
D707,904 S *	6/2014	Salagnac	D32/71
D738,060 S *	9/2015	La Rovere	D32/71
D738,587 S *	9/2015	La Rovere	D32/71
D745,238 S *	12/2015	Orthey	D32/71
D759,331 S *	6/2016	Salagnac	D32/71

* cited by examiner

Primary Examiner — Austin Murphy

(57) **CLAIM**

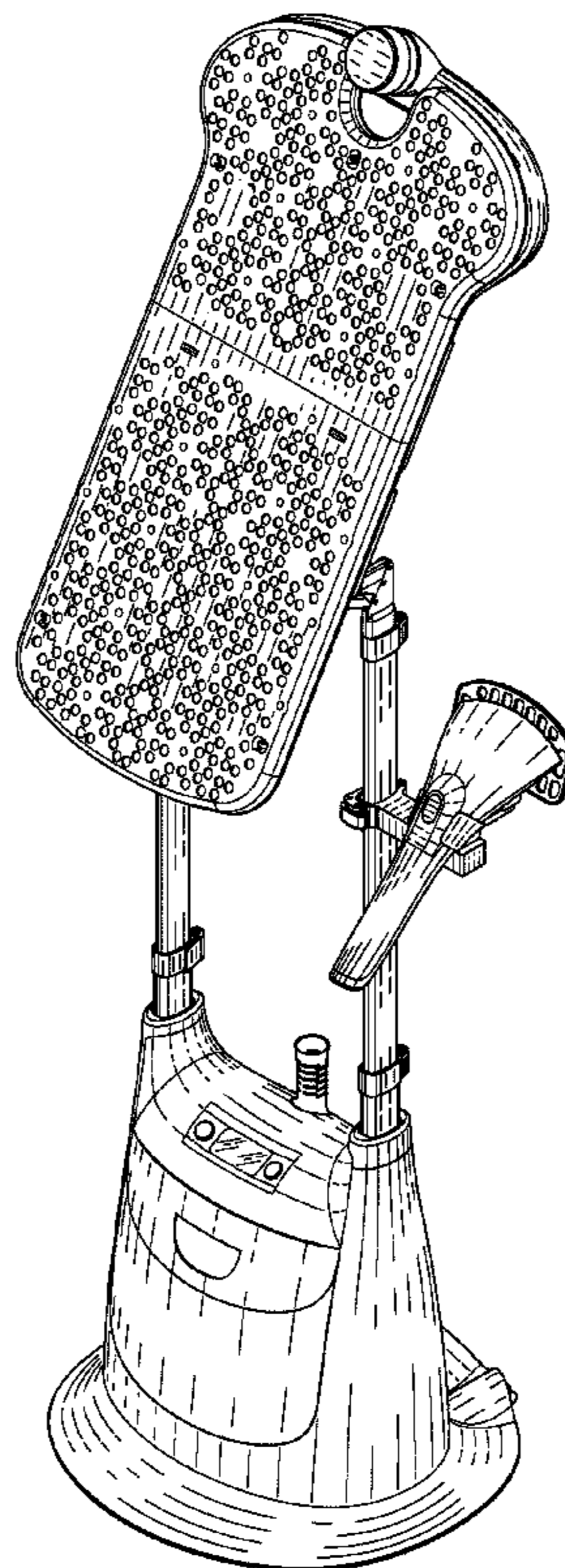
The ornamental design for a garment steamer, as shown and described.

DESCRIPTION

FIG. 1 is a perspective view showing my design;
FIG. 2 is a front elevational view thereof;
FIG. 3 is a rear elevational view thereof;
FIG. 4 is a right side elevational view thereof;
FIG. 5 is a left side elevational view thereof;
FIG. 6 is a top plan view thereof; and,
FIG. 7 is a bottom plan view thereof.

The dashed broken lines shown therein illustrate portions of the garment steamer that form no part of the claimed design.

1 Claim, 6 Drawing Sheets



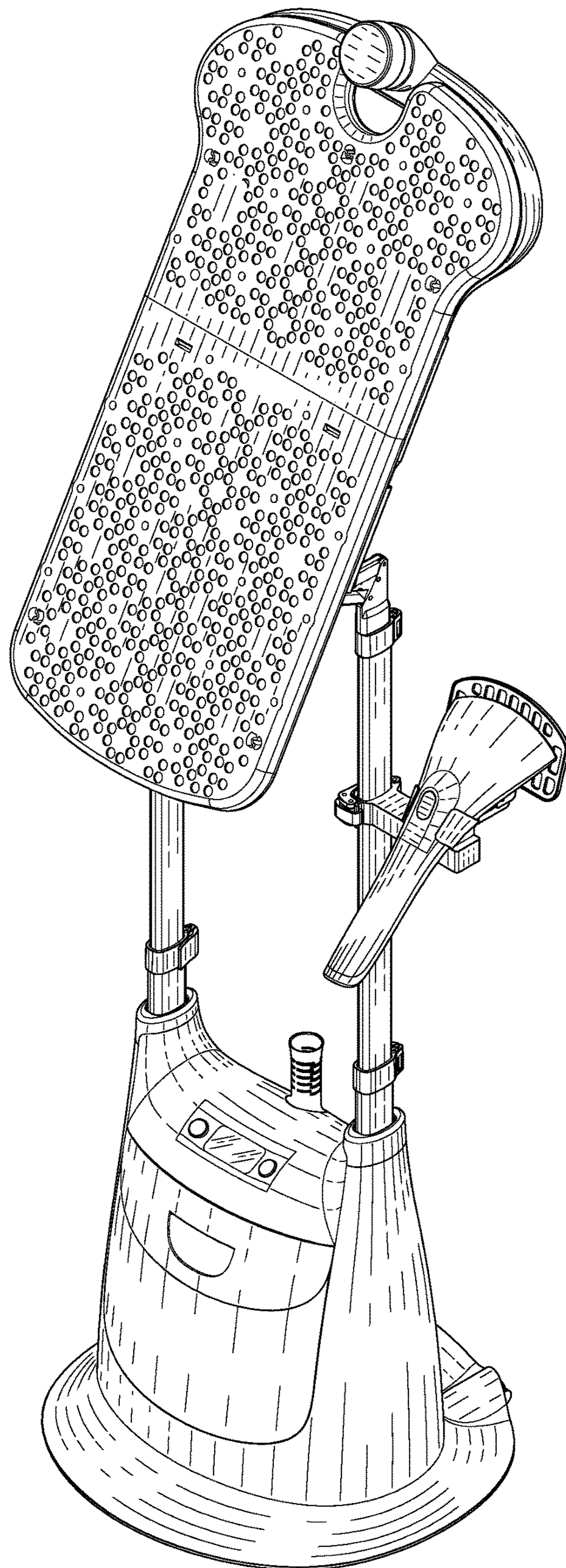


FIG. 1

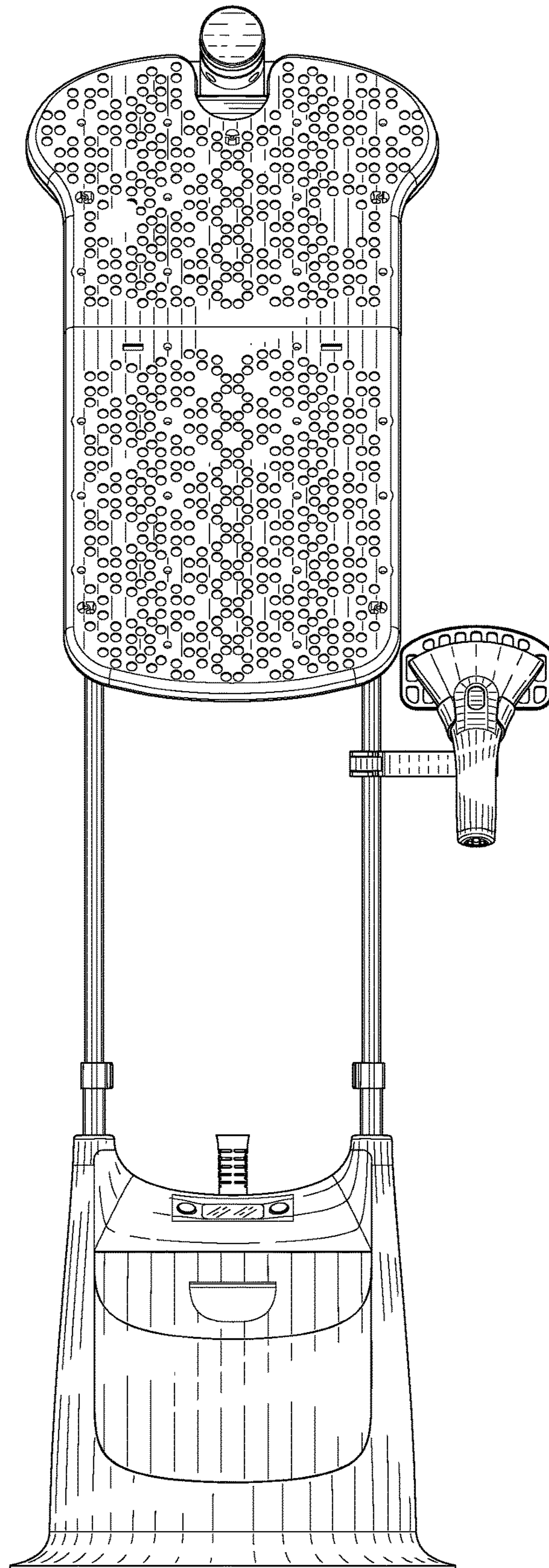


FIG. 2

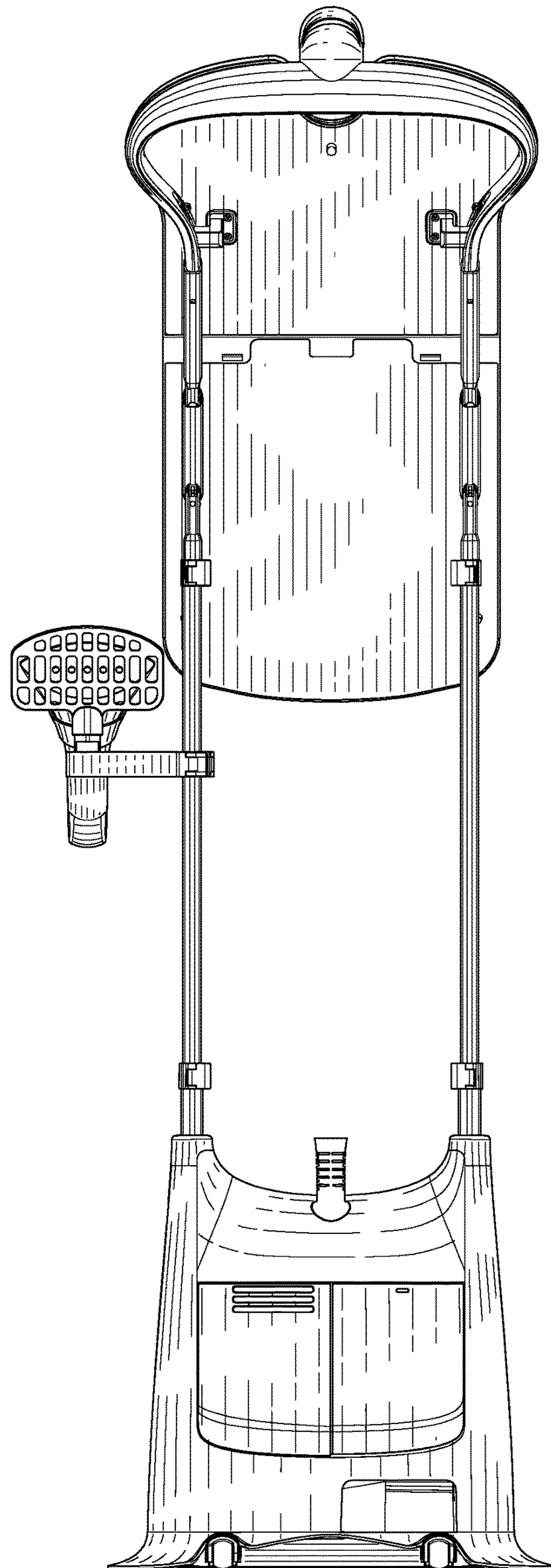


FIG. 3

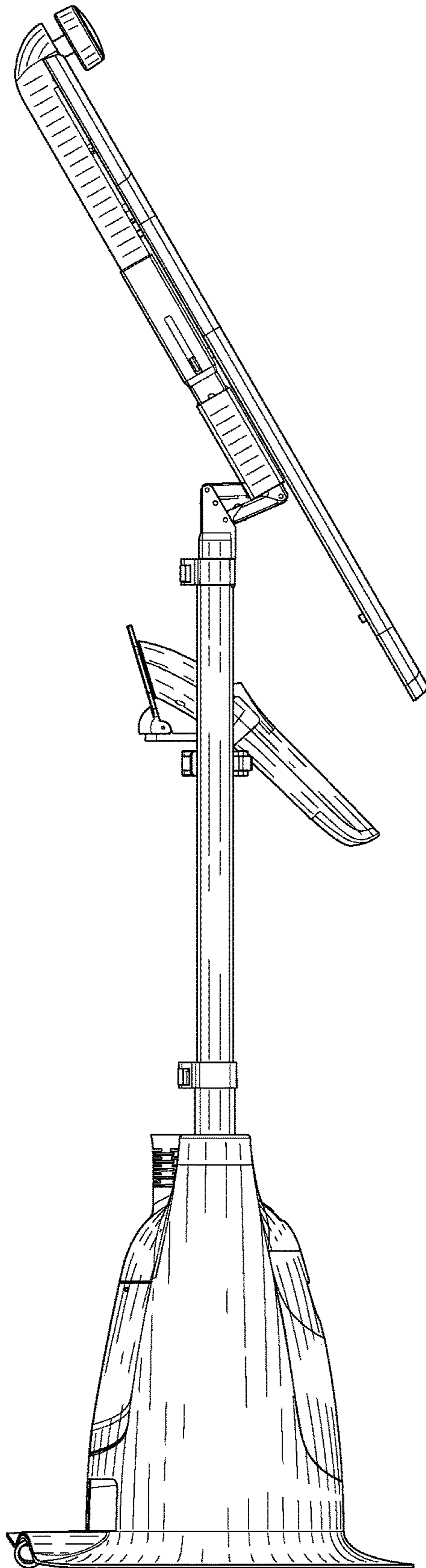


FIG. 4

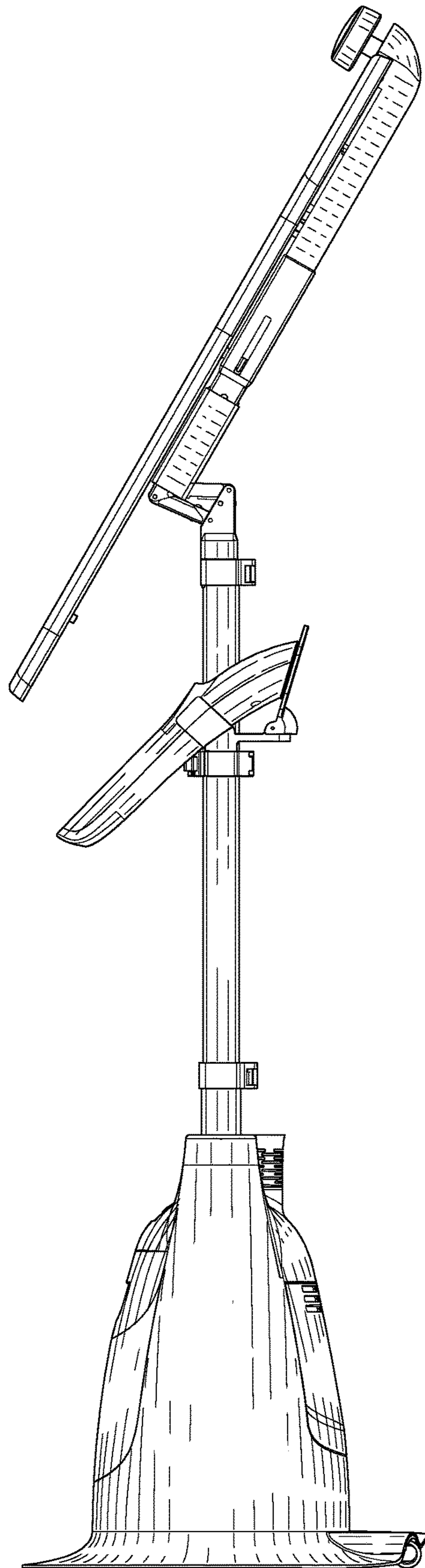


FIG. 5

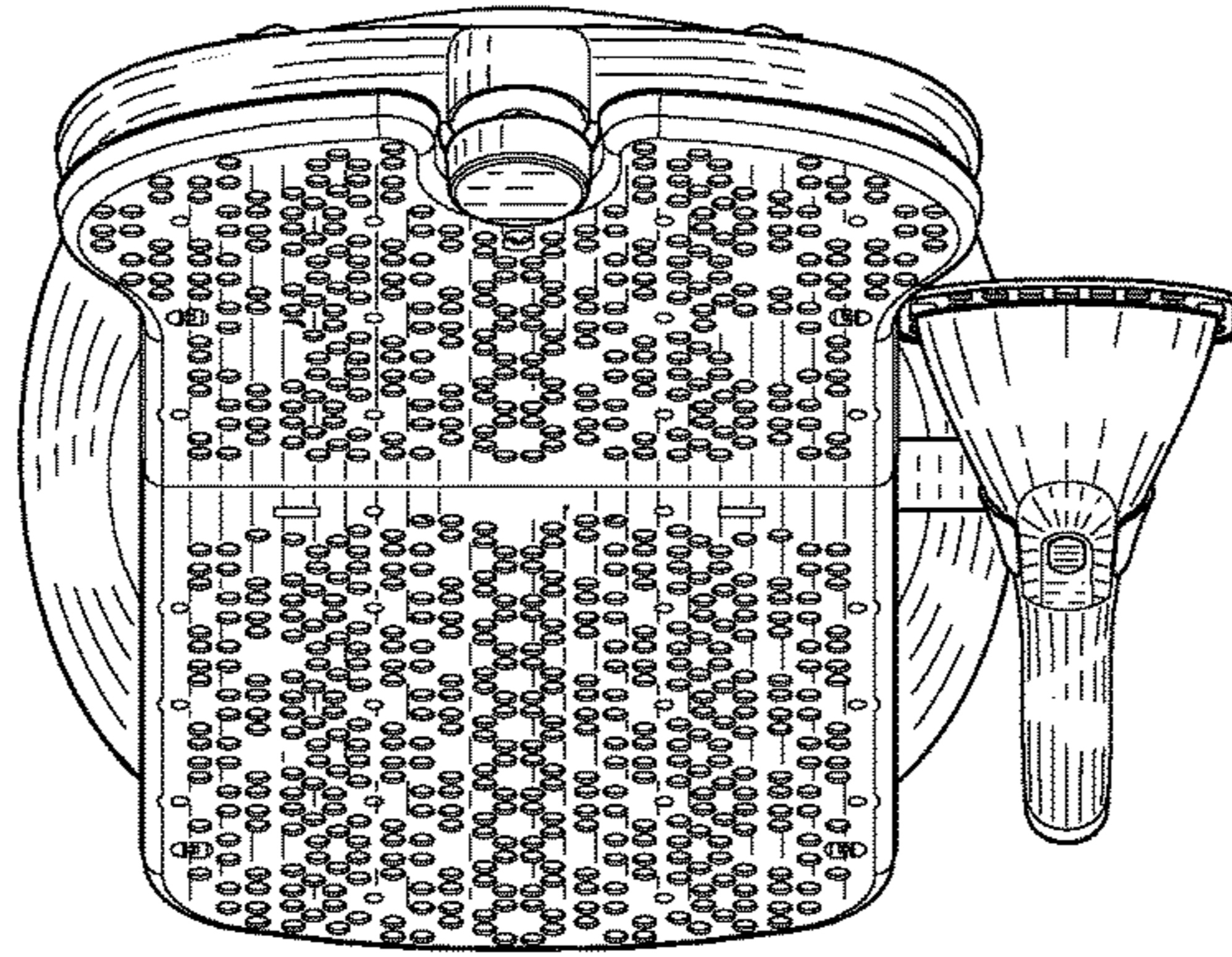


FIG. 6

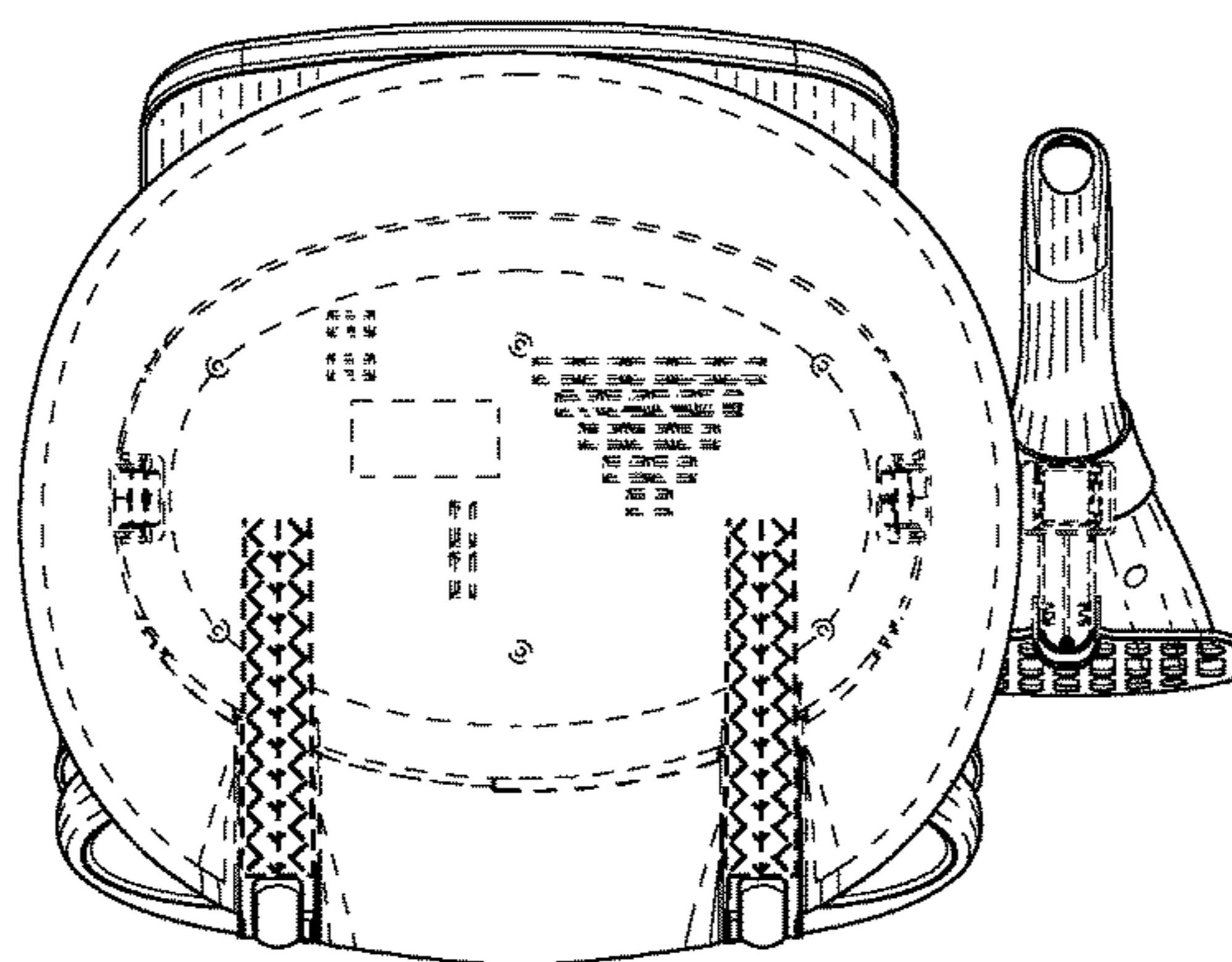


FIG. 7