



US00D788396S

(12) **United States Design Patent** (10) **Patent No.:** **US D788,396 S**
Boniakowski (45) **Date of Patent:** **** May 30, 2017**

(54) **PAINTER'S HOOK**

(56) **References Cited**

(71) Applicant: **Blue Heron Enterprises LLC**, North Branch, NJ (US)
(72) Inventor: **Stanley Boniakowski**, Green Brook, NJ (US)
(73) Assignee: **BH Disposition, LLC**, North Branch, NJ (US)
(**) Term: **15 Years**
(21) Appl. No.: **29/535,305**
(22) Filed: **Aug. 5, 2015**
(51) **LOC (10) Cl.** **07-07**
(52) **U.S. Cl.**
USPC **D32/54**
(58) **Field of Classification Search**
USPC D8/16, 19, 349, 354, 355, 363, 364, 366, D8/370-373, 376, 380, 382, 384-386; D6/553, 550, 323; D23/223, 238, 252, D23/257; D11/208; D20/15, 41, 42; D12/416; D25/38.1, 39, 43; D3/210, D3/228; D13/133, 146-148, 154, 184, D13/199; D32/53, 53.1, 54
CPC . B25H 3/006; B25H 3/02; B25H 3/00; B25H 3/003; F41C 33/02; F41C 33/006; F41C 33/041; Y10T 24/1394; Y10T 24/13; Y10T 24/1388; Y10T 24/1391; A41D 13/0012; A41D 13/0015; A41D 27/20; A41F 9/00; F16B 2/08; F16B 45/02; F41B 15/02; F41B 5/1461; G03B 17/561
See application file for complete search history.

U.S. PATENT DOCUMENTS

D31,591 S *	10/1899	Fox	D8/373
D33,956 S *	1/1901	Kline et al.	D8/354
D225,509 S *	12/1972	Charlton	D8/363
D300,804 S *	4/1989	Myers	D34/5
D322,388 S *	12/1991	Hoskinson	D8/367
D324,490 S *	3/1992	Ricketts	D8/373
D354,430 S *	1/1995	Lawrence	D8/370

* cited by examiner

Primary Examiner — Robert M Spear
Assistant Examiner — Eliza Bennett-Hattan
(74) *Attorney, Agent, or Firm* — Lerner, David, Littenberg, Krumholz & Mentlik, LLP

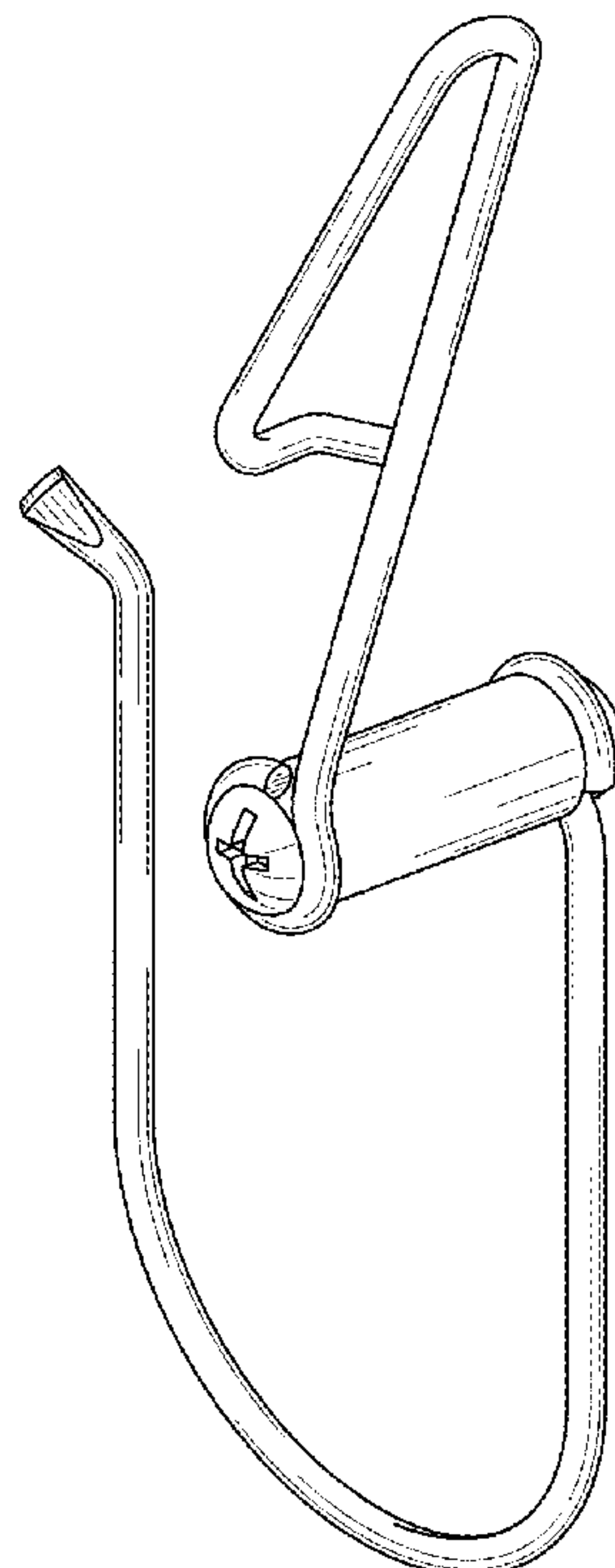
(57) **CLAIM**

The ornamental design for a painter's hook, as shown and described.

DESCRIPTION

FIG. 1 is a perspective view of a painter's hook, showing my new design;
FIG. 2 is a right side elevational view thereof;
FIG. 3 is a left side elevational view thereof;
FIG. 4 is a back side elevational view thereof;
FIG. 5 is a front side elevational view thereof;
FIG. 6 is a top plan view thereof; and,
FIG. 7 is a bottom plan view thereof.

1 Claim, 5 Drawing Sheets



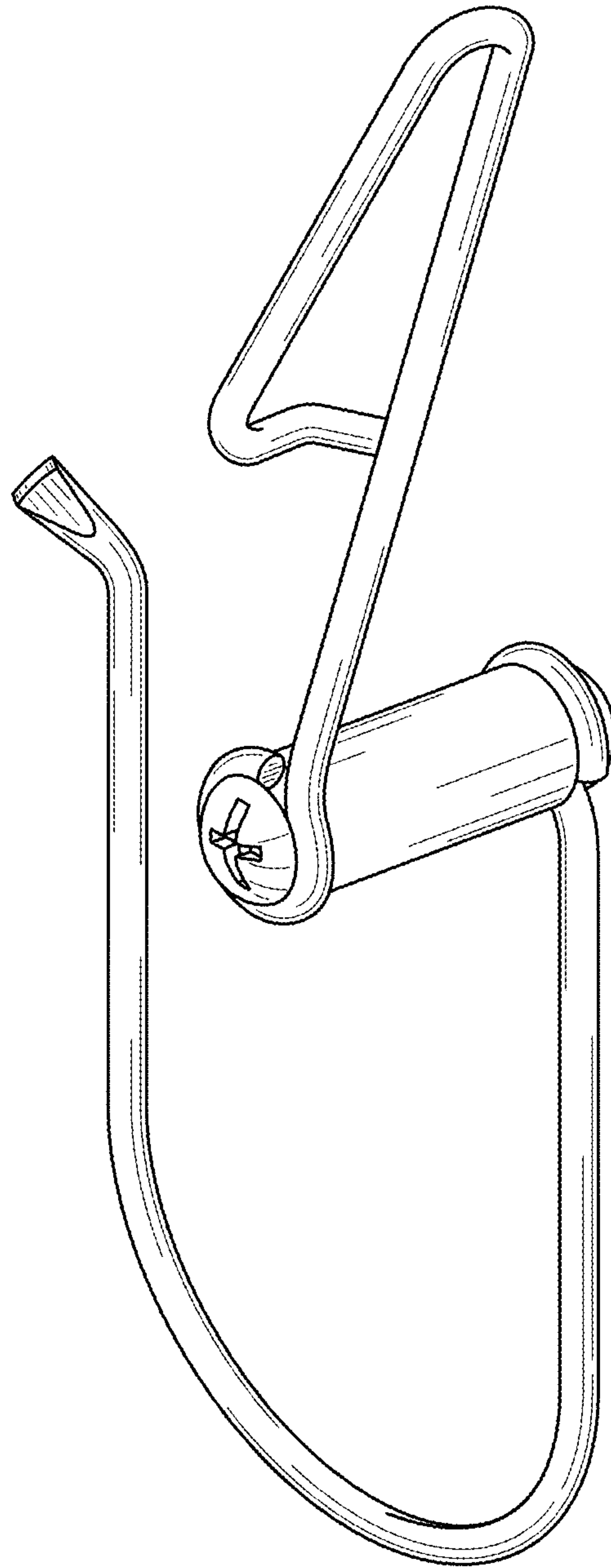


FIG. 1

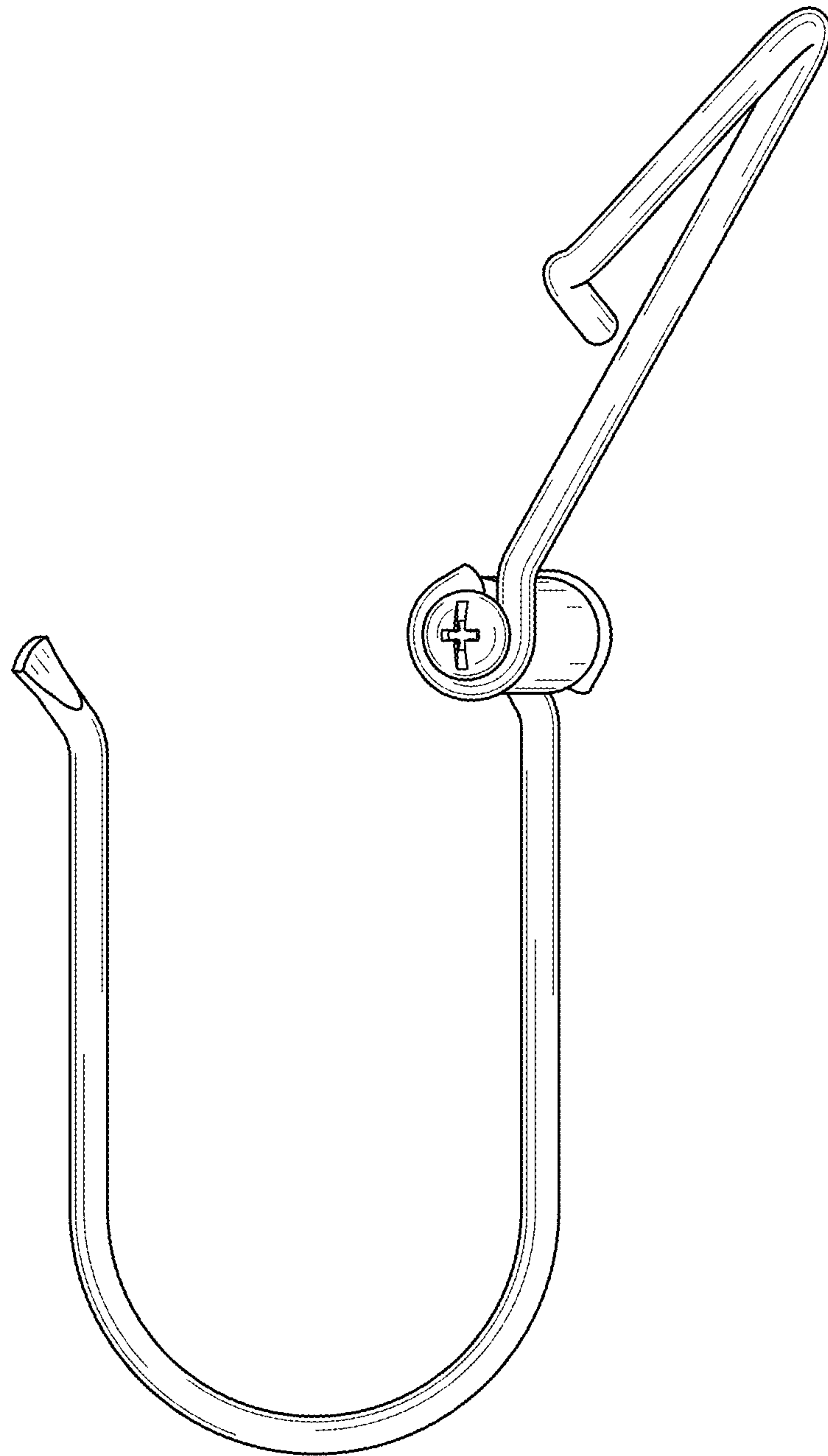


FIG. 2

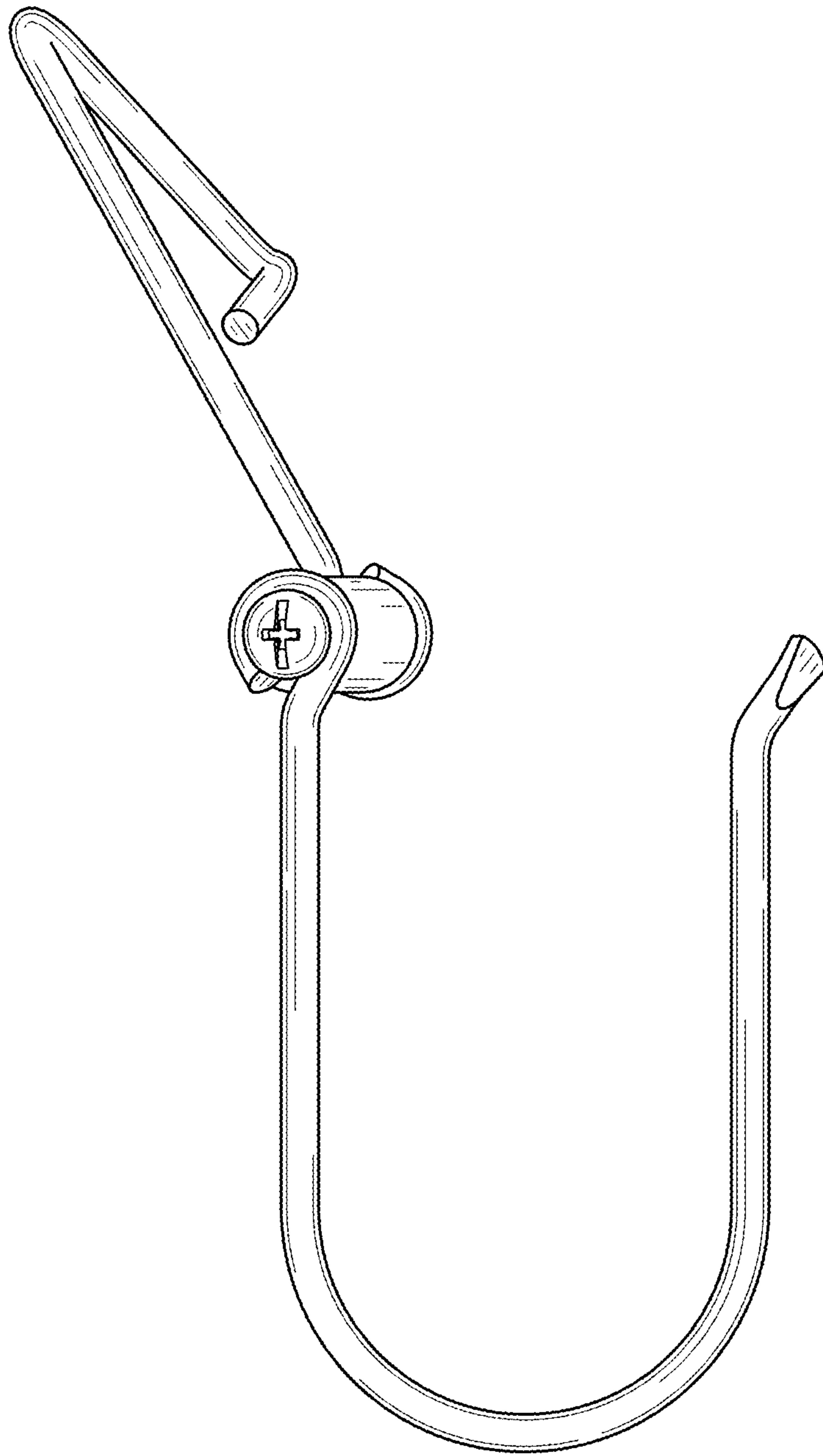


FIG. 3

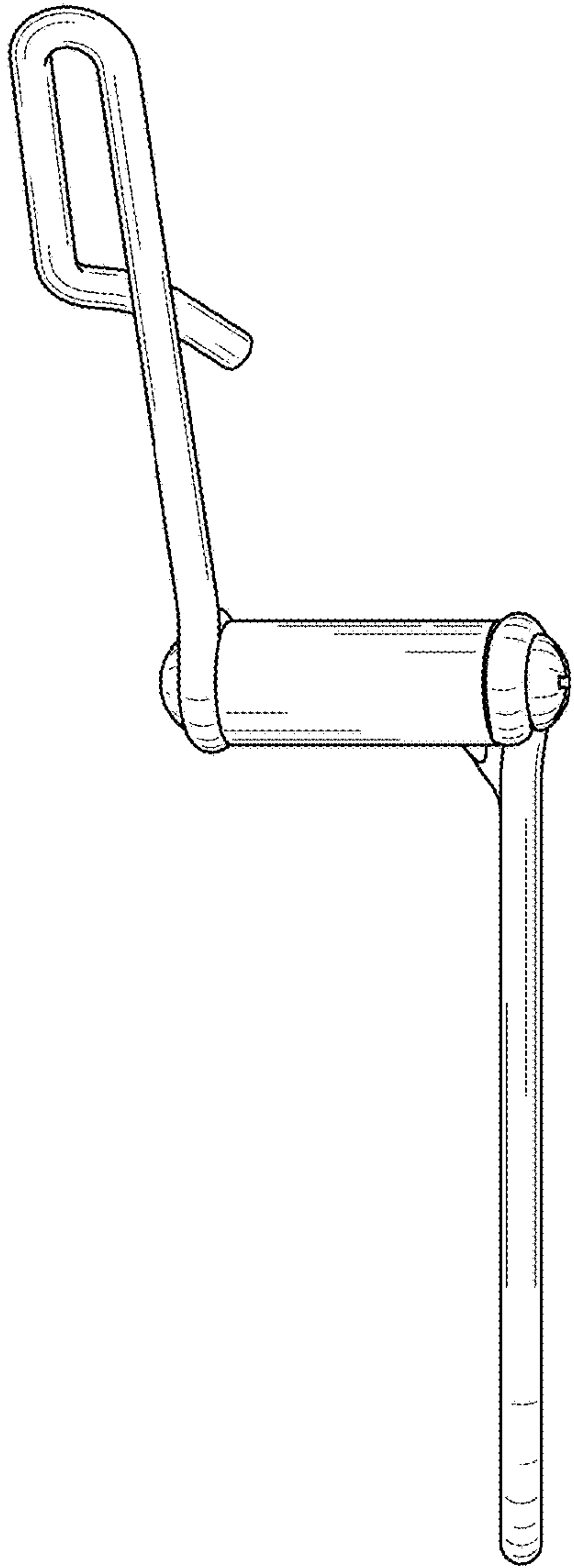


FIG. 4

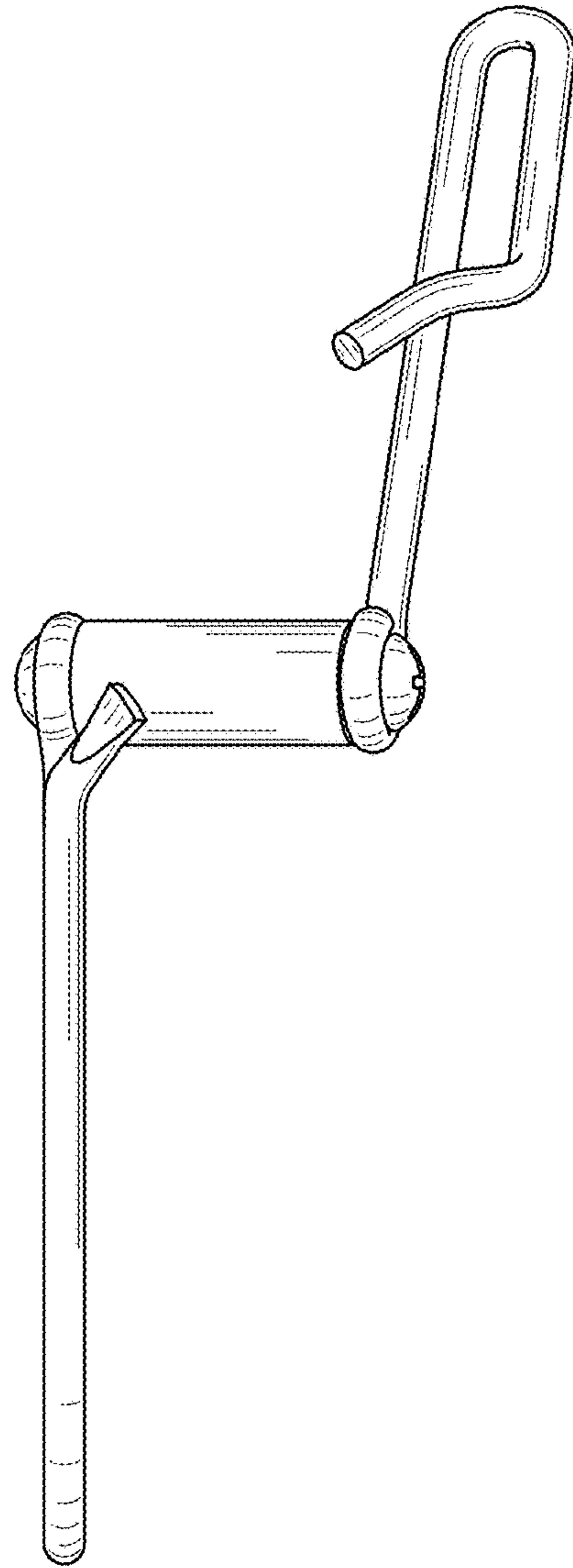


FIG. 5

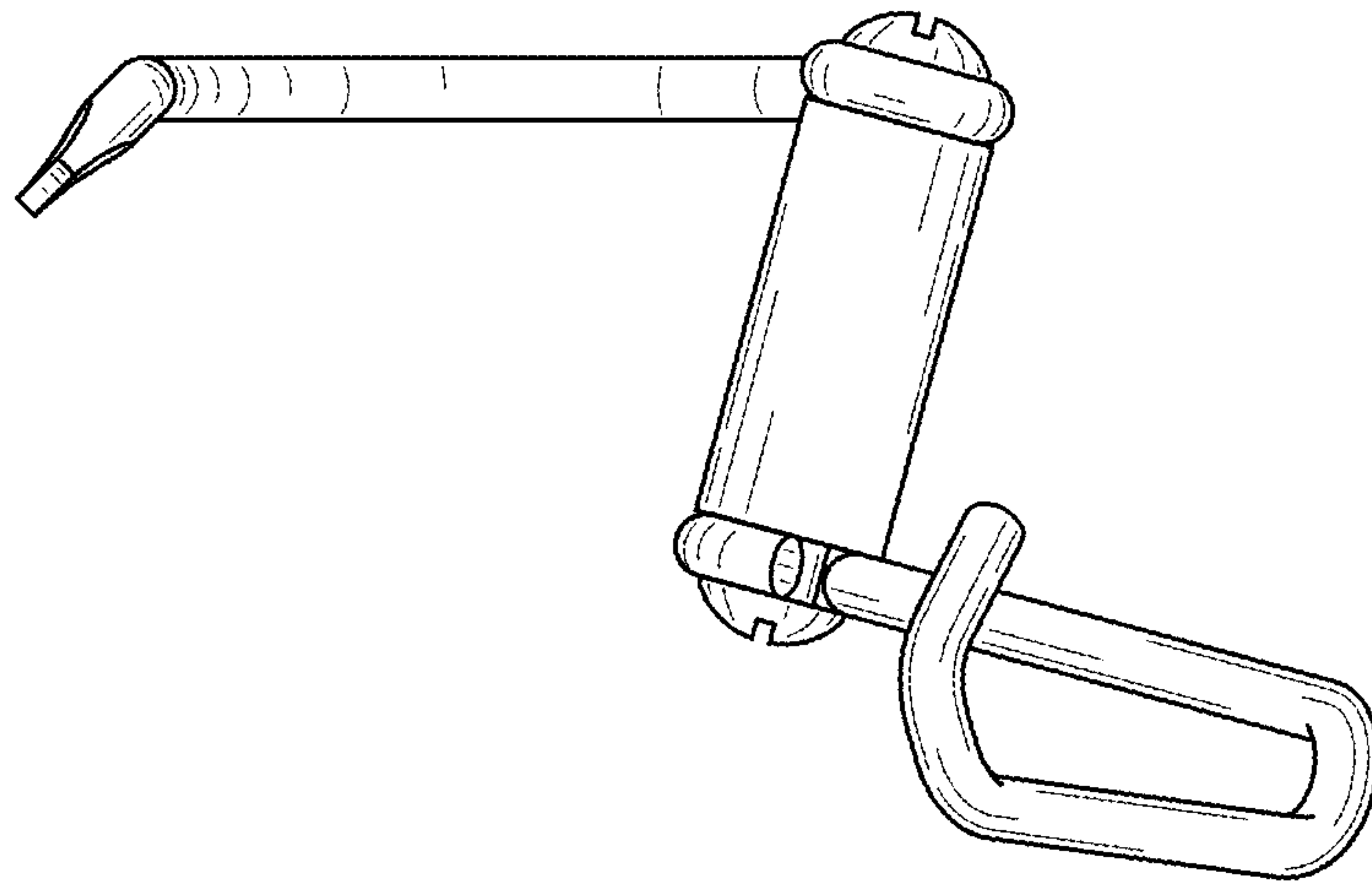


FIG. 6

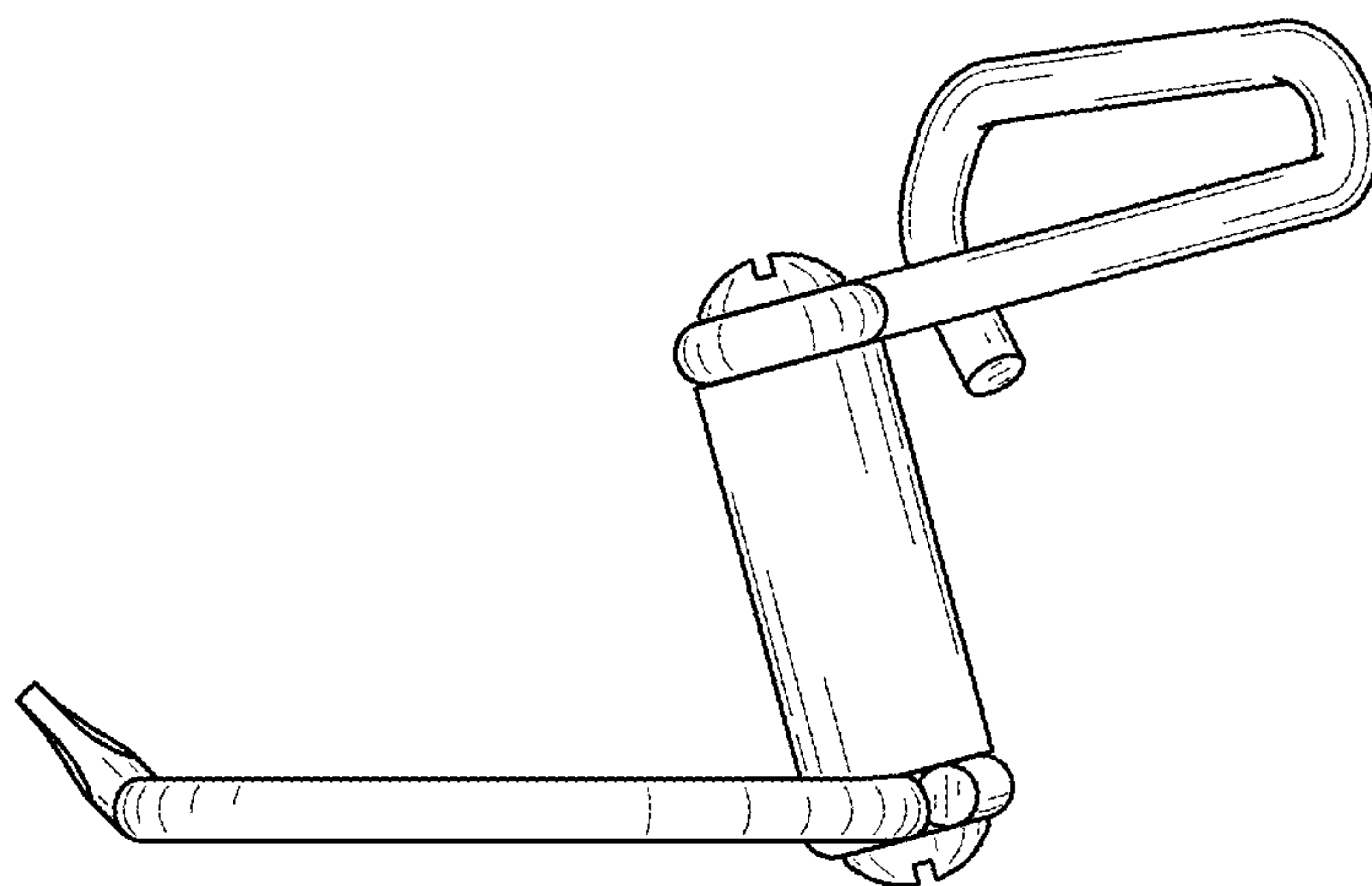


FIG. 7