



US00D788395S

(12) **United States Design Patent**
Bajuyo

(10) **Patent No.:** **US D788,395 S**

(45) **Date of Patent:** **** May 30, 2017**

(54) **PAIL**
(71) Applicant: **Antonio Bajuyo**, South Bend, IN (US)
(72) Inventor: **Antonio Bajuyo**, South Bend, IN (US)
(**) Term: **15 Years**

D462,491 S * 9/2002 Hauenstein D32/53
D515,263 S * 2/2006 Libman D32/53
D663,086 S 7/2012 Herbst
8,931,669 B2 1/2015 Bajuyo
D740,508 S * 10/2015 Brandon D32/53
D744,185 S 11/2015 Bajuyo
D748,357 S 1/2016 Bajuyo
D751,783 S * 3/2016 Bajuyo D32/53

(21) Appl. No.: **29/572,533**

* cited by examiner

(22) Filed: **Jul. 28, 2016**

Primary Examiner — Robin V Webster

Related U.S. Application Data

(74) *Attorney, Agent, or Firm* — R. Tracy Crump

(63) Continuation of application No. 29/546,716, filed on Nov. 25, 2015, now Pat. No. Des. 765,933.

(57) **CLAIM**

(51) **LOC (10) Cl.** **07-07**

I claim the ornamental design of a pail, as shown and described.

(52) **U.S. Cl.**

DESCRIPTION

USPC **D32/53**

(58) **Field of Classification Search**

USPC D32/53, 53.1, 54; 15/262–264; 220/904
CPC A47L 13/58; A47J 47/18
See application file for complete search history.

FIG. 1 is a perspective view of a pail showing my design; FIG. 2 is a side view thereof; FIG. 3 is a rear view thereof; FIG. 4 is a front view thereof; FIG. 5 is a top view thereof; and, FIG. 6 is a bottom view thereof.

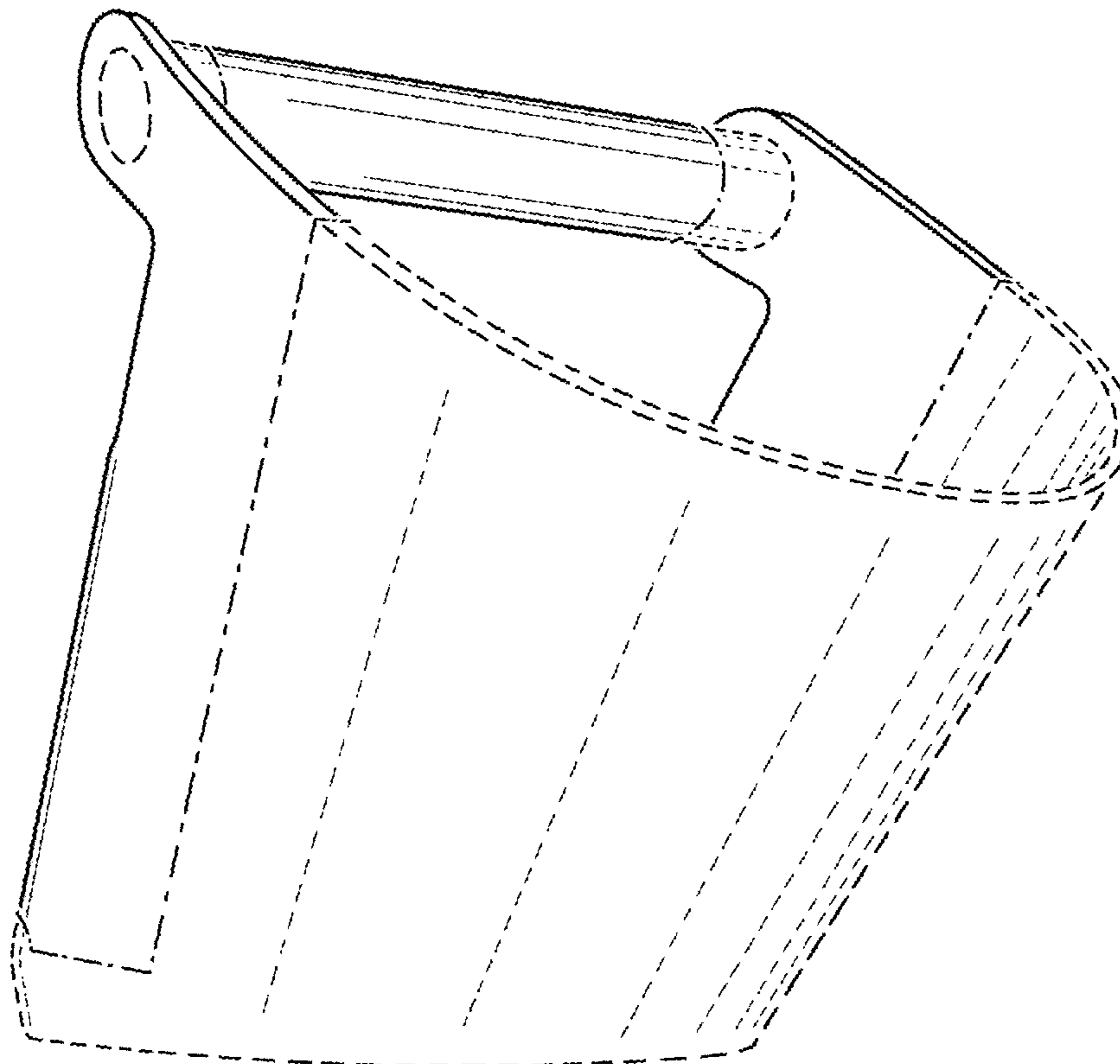
(56) **References Cited**

The areas inside the broken lines showing in FIGS. 1-6 are included for the purpose of illustration and form no part of the claimed design.

U.S. PATENT DOCUMENTS

D236,578 S * 9/1975 Powell D32/53
6,308,379 B1 * 10/2001 Hendrickson A47J 45/065
220/669

1 Claim, 6 Drawing Sheets



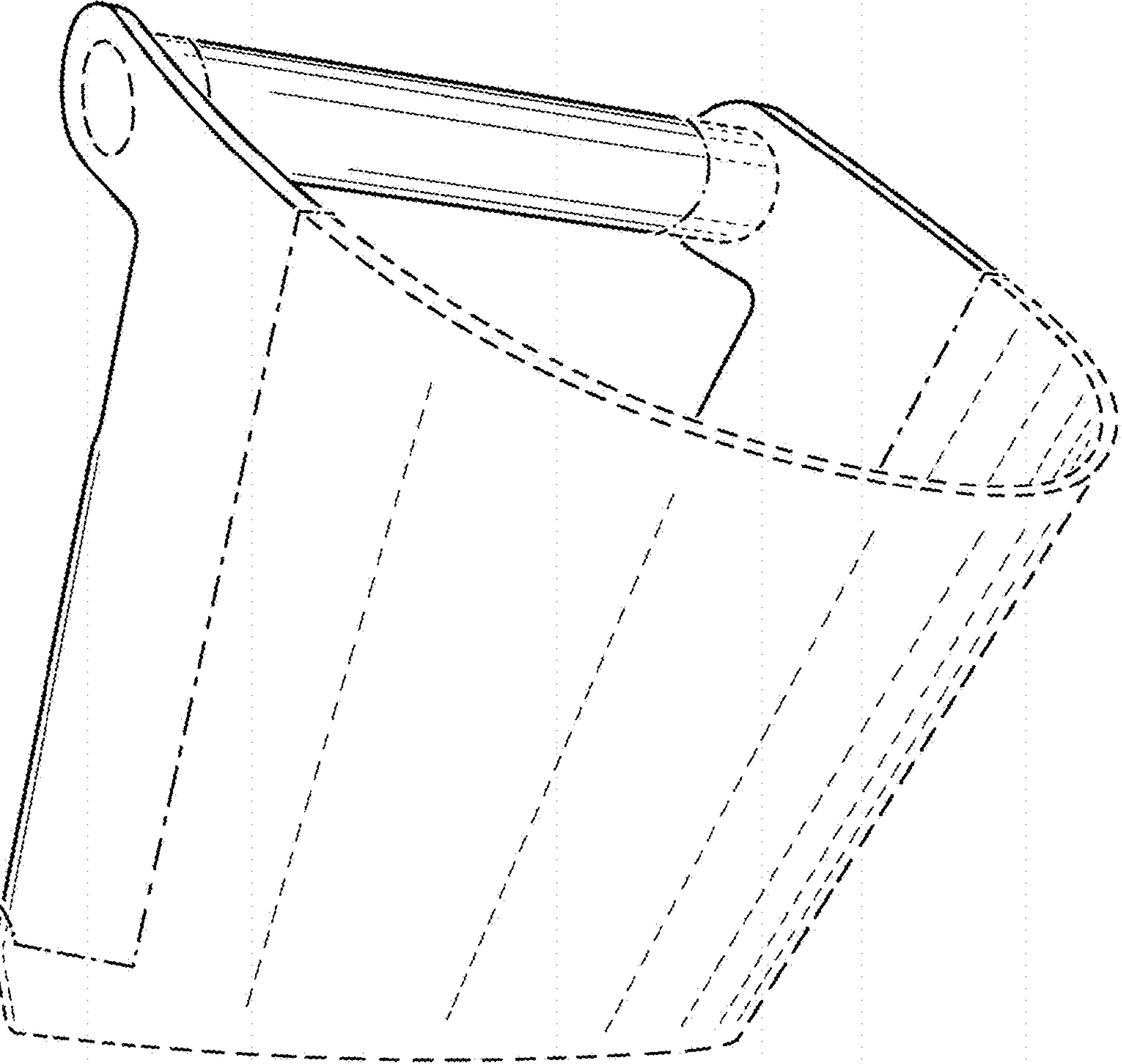


Fig. 1

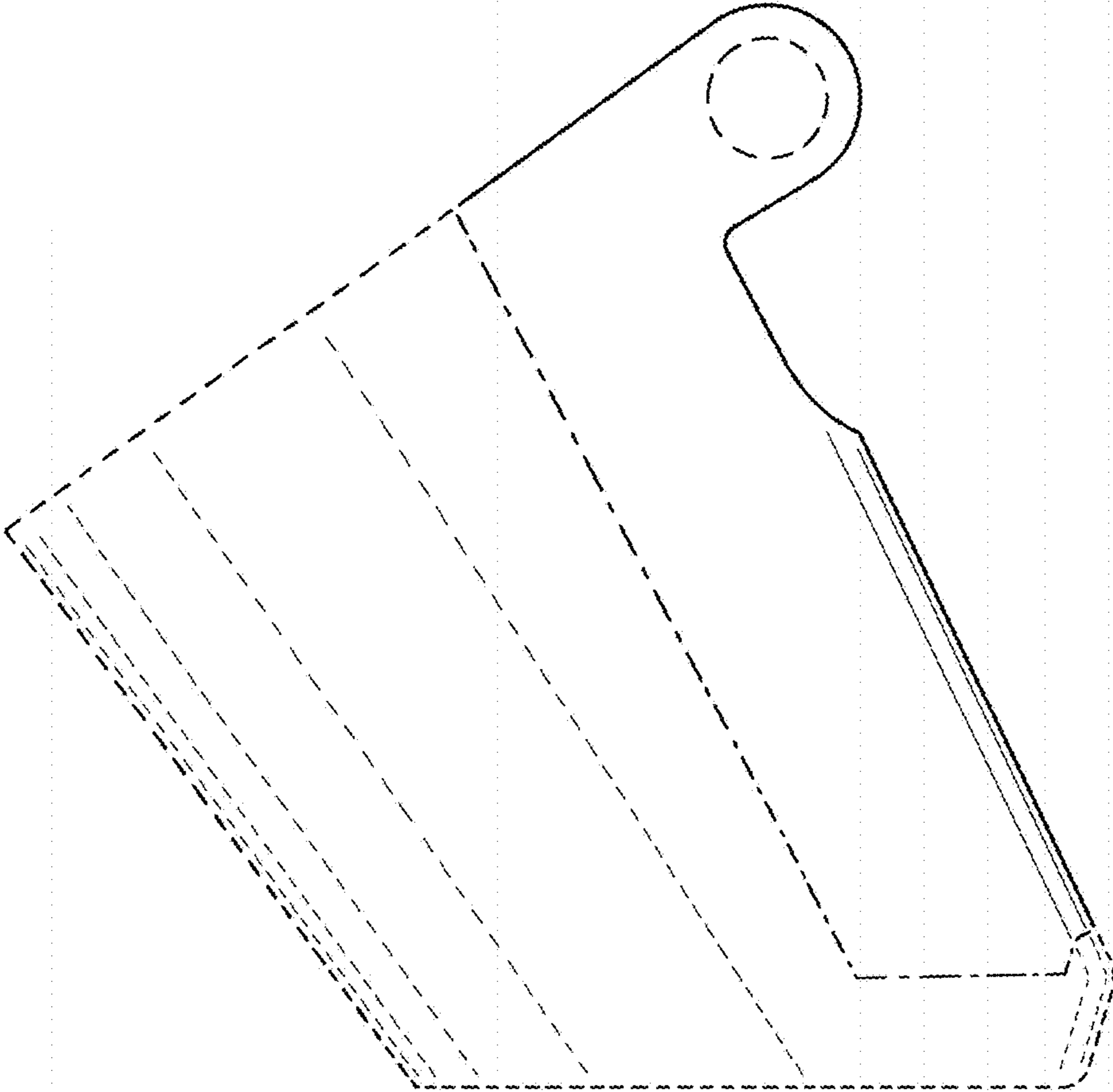


Fig. 2

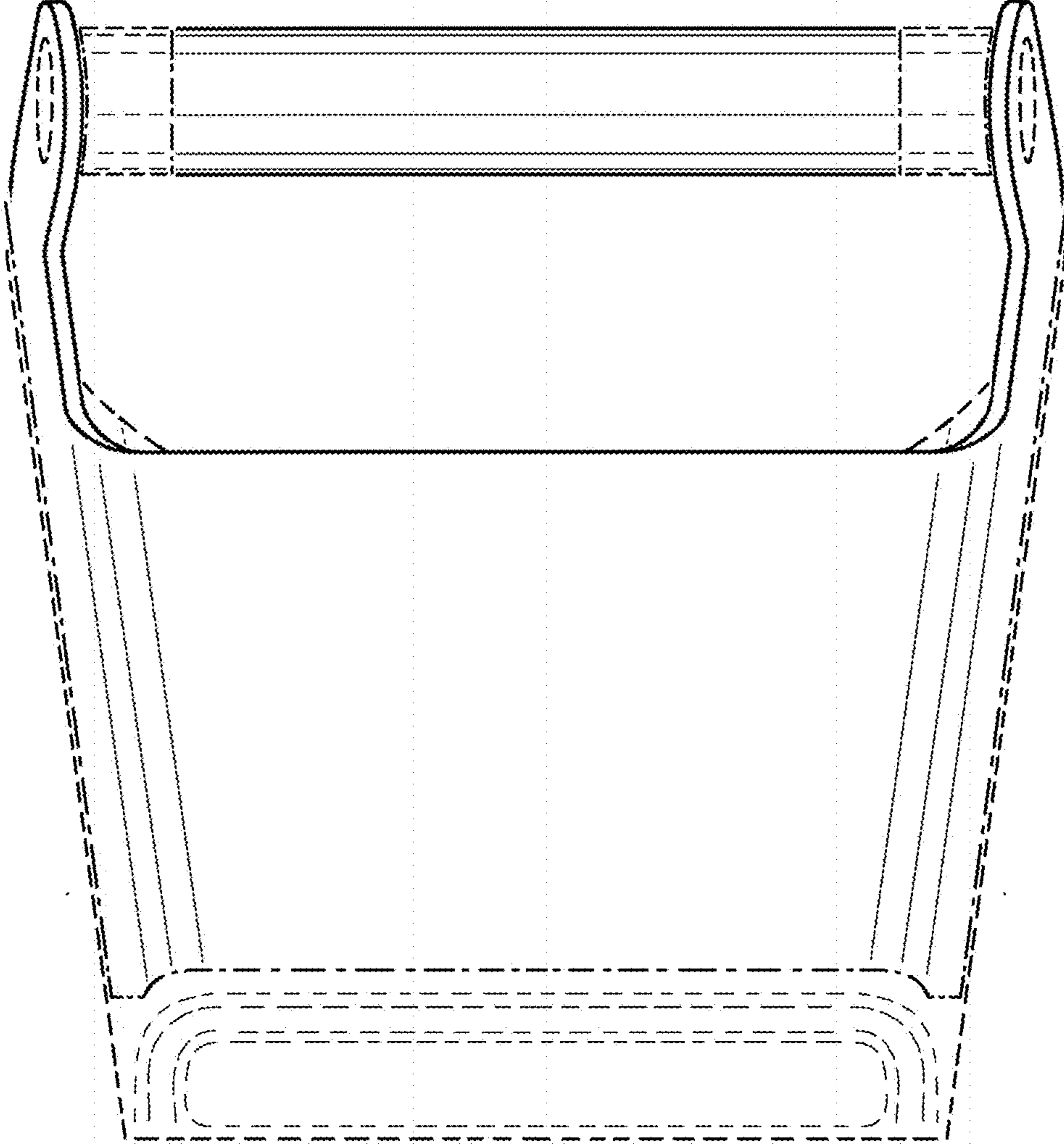


Fig. 3

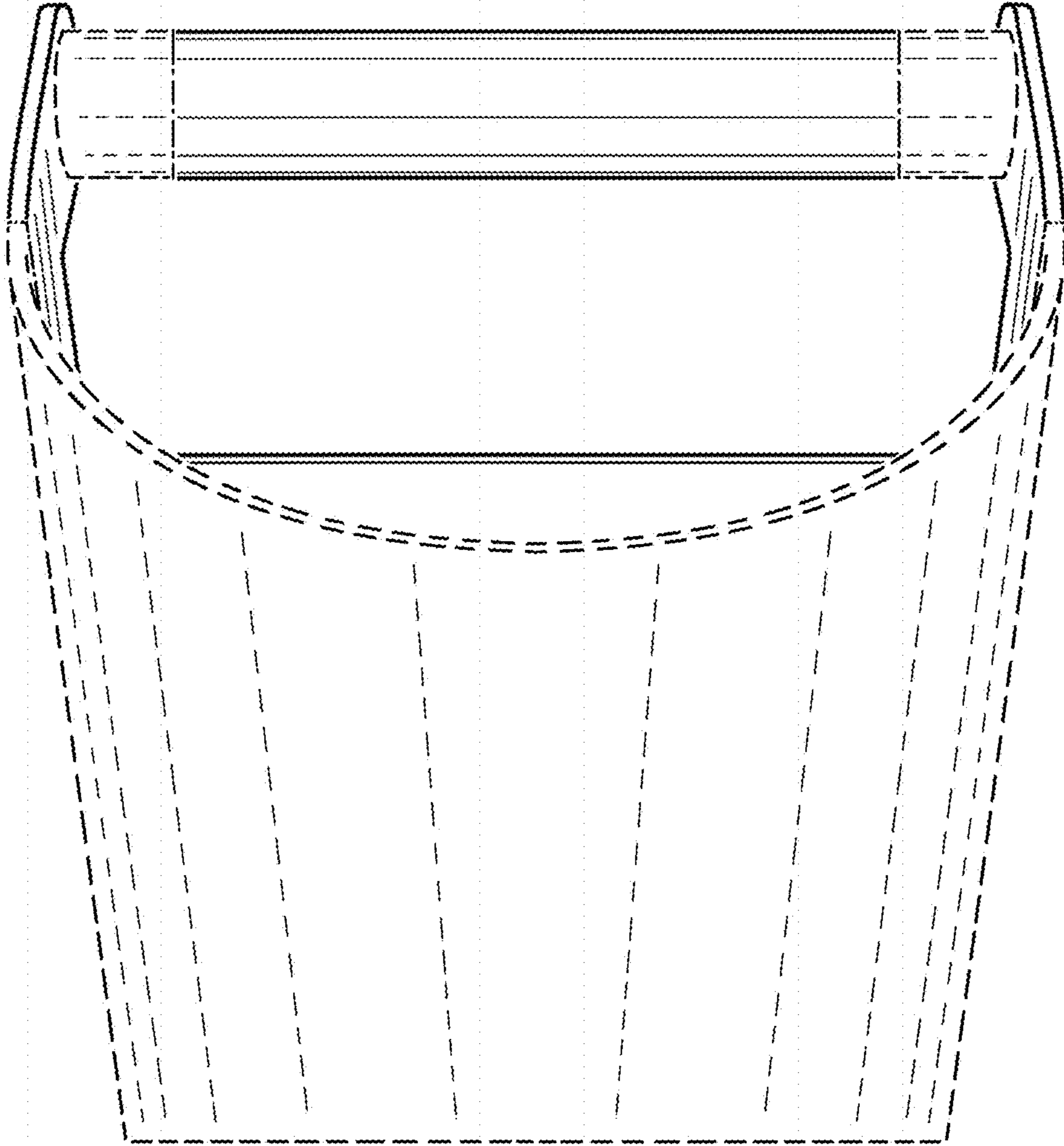


Fig. 4

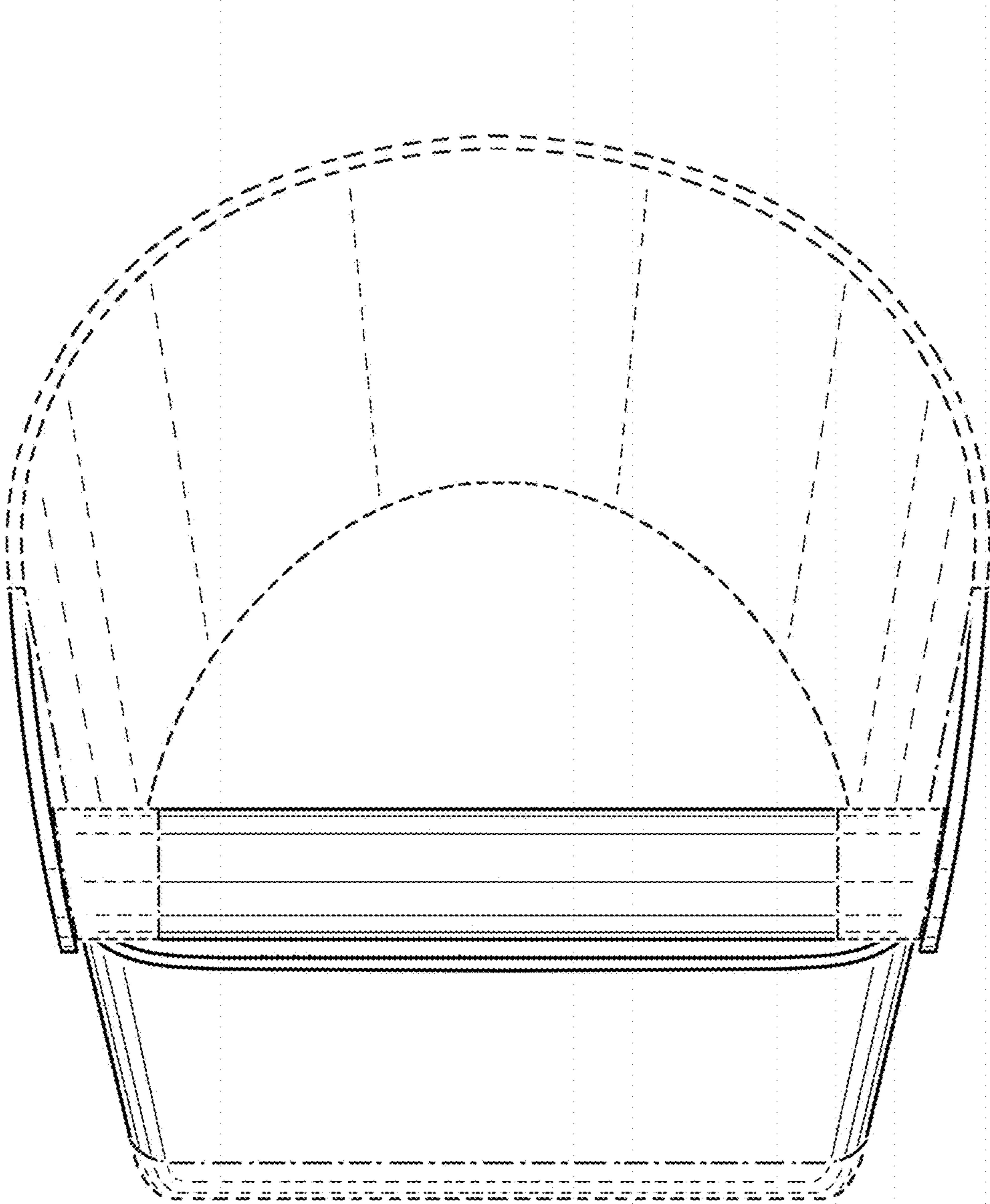


Fig. 5

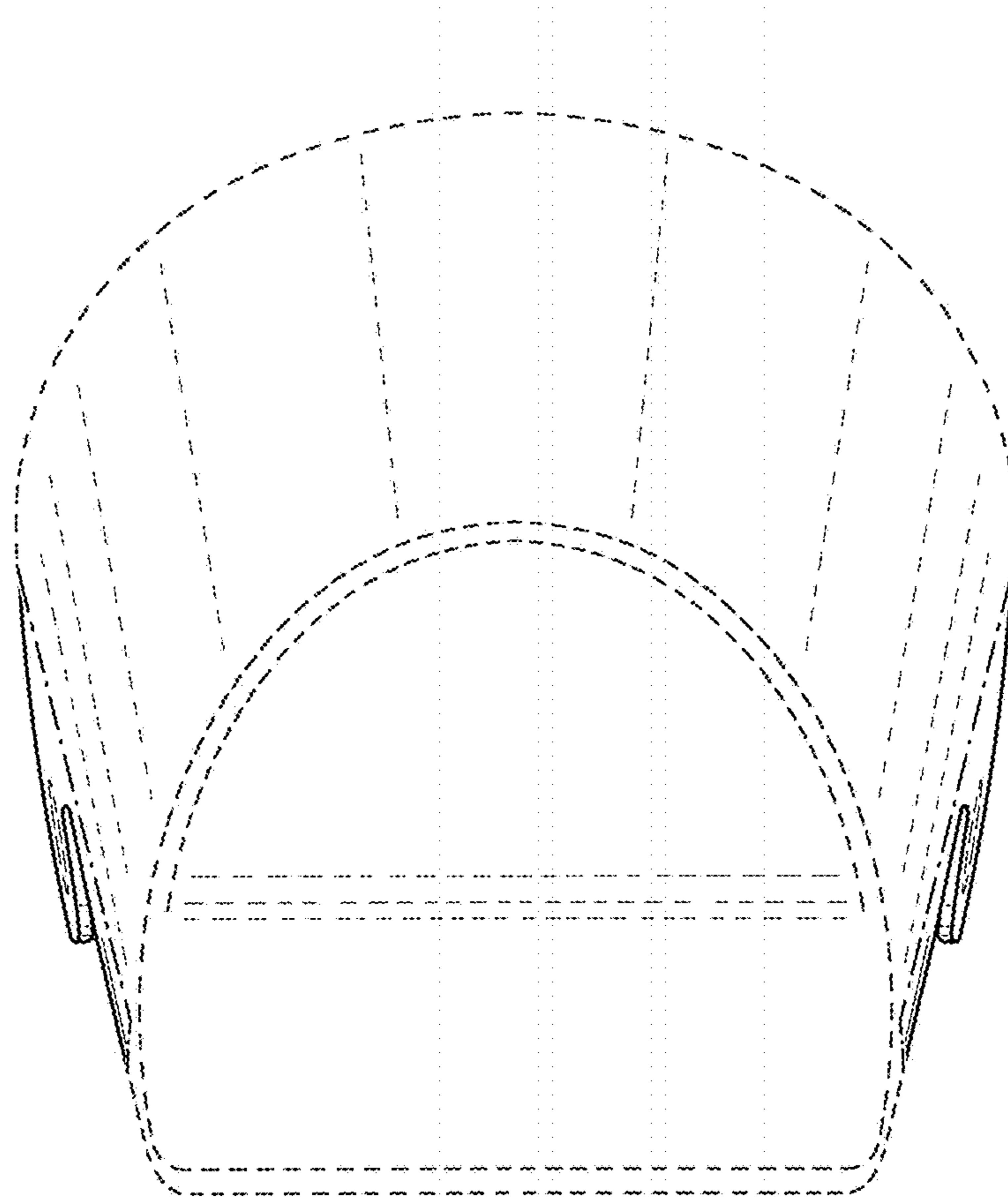


Fig. 6