



US00D788394S

(12) **United States Design Patent** (10) **Patent No.:** **US D788,394 S**
Bo (45) **Date of Patent:** **** May 30, 2017**

(54) **SNOW SCRAPER**

FOREIGN PATENT DOCUMENTS

(71) Applicant: **Anhui Inno-Sign International Co., Ltd.**, Hefei (CN)

CN 301613821 * 7/2011
RU 00081112 03-2012 * 3/2012

(72) Inventor: **Jin Bo**, Hefei (CN)

OTHER PUBLICATIONS

(73) Assignee: **Anhui Inno-Sign International Co., Ltd.** (CN)

Amazon.com: Zone Tech Heated Snow/Ice Scraper with Light, review date Mar. 11, 2016, <https://www.amazon.com/Zone-Tech-Heated-Window-Scraper/dp/B01BKWI25G>, [site visited Dec. 23, 2016 5:24:08 PM].*

(**) Term: **15 Years**

(Continued)

(21) Appl. No.: **29/560,295**

(22) Filed: **Apr. 5, 2016**

Primary Examiner — John Windmuller

(51) **LOC (10) Cl.** **04-01**

Assistant Examiner — John R Yeh

(52) **U.S. Cl.**

(74) *Attorney, Agent, or Firm* — Richards Patent Law P.C.

USPC **D32/42**

(58) **Field of Classification Search**

USPC D8/45, 61-62; D32/21, 40-42, 33, 46, D32/48; D4/116, 118-119, 127-129

CPC . A46B 15/0055; A46B 15/0002; A47L 13/06; A47L 1/16; A47J 43/288; B44D 3/168

See application file for complete search history.

(57) **CLAIM**

The ornamental design for a snow scraper, as shown and described.

(56) **References Cited**

DESCRIPTION

U.S. PATENT DOCUMENTS

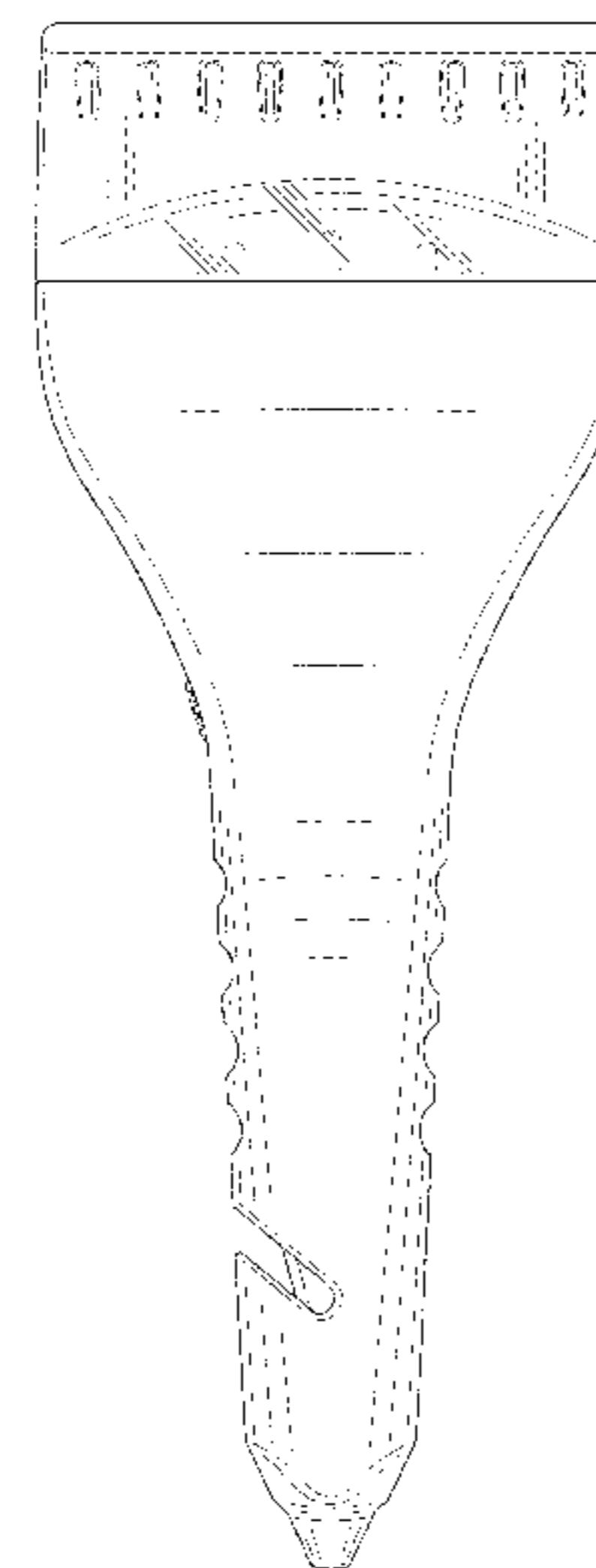
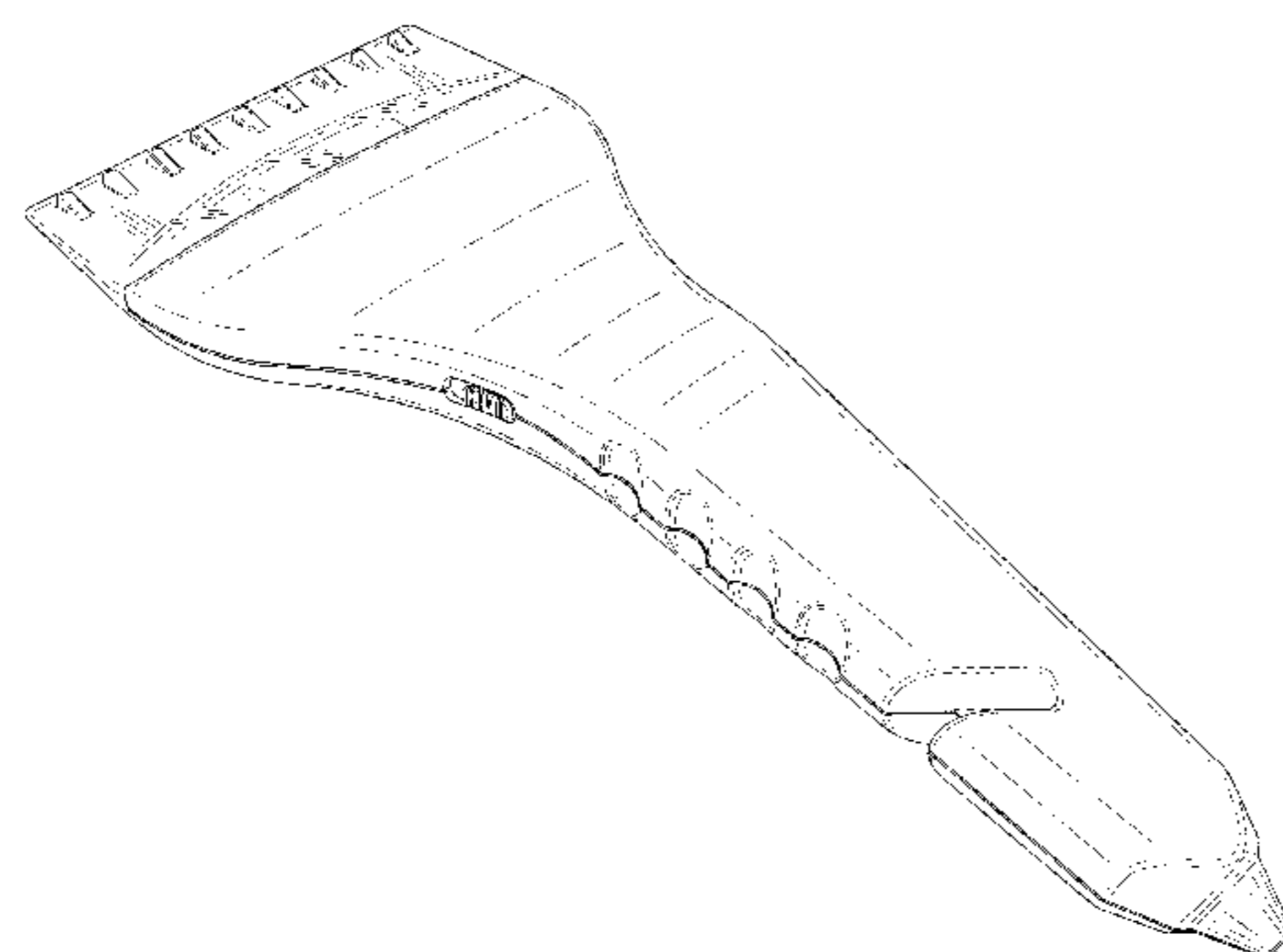
D222,025 S * 9/1971 Whitaker D4/118
3,711,679 A * 1/1973 Moschkau B60S 3/045
15/105
D271,626 S * 11/1983 Bauer D32/42
5,357,646 A * 10/1994 Kim A47L 1/16
15/111
D373,863 S * 9/1996 Shepherd D32/42
5,572,820 A * 11/1996 Mallory A47L 1/16
206/573
D392,784 S * 3/1998 Hellinger D32/49
D394,923 S * 6/1998 Hellinger D32/46
D415,325 S * 10/1999 Hellinger D32/46
5,973,294 A * 10/1999 Schatt A47L 1/16
219/228
D420,882 S * 2/2000 Majolo D32/46
D459,847 S * 7/2002 Ingram D32/49

FIG. 1 is a perspective view of the snow scraper;
FIG. 2 is a front view of the snow scraper as shown in FIG. 1;
FIG. 3 is a back view of the snow scraper as shown in FIG. 1;
FIG. 4 is a right side view of the snow scraper as shown in FIG. 1;
FIG. 5 is a left side view of the snow scraper as shown in FIG. 1;
FIG. 6 is a top view of the snow scraper as shown in FIG. 1; and,
FIG. 7 is a bottom view of the snow scraper as shown in FIG. 1.

The broken lines in the figures represent features of the device which form no part of the claimed design.

(Continued)

1 Claim, 6 Drawing Sheets



(56)

References Cited

U.S. PATENT DOCUMENTS

D498,891 S * 11/2004 Sickler D32/46
D542,490 S * 5/2007 Barnes, Jr. D32/49
D544,162 S * 6/2007 Uffner D32/46
7,469,444 B1 * 12/2008 Thomas A47L 1/16
15/172
D652,593 S * 1/2012 Wu D32/40
8,719,988 B2 * 5/2014 Lundin B44D 3/164
15/236.02
D751,781 S * 3/2016 Blouin D32/46
D771,891 S * 11/2016 Bennett D32/46
2006/0070989 A1 * 4/2006 Deane E05B 17/0016
219/228
2016/0235253 A1 * 8/2016 Aghamalian A47G 21/10

OTHER PUBLICATIONS

Hopkins Ice Scraper, Best scrapers slideshow date date Oct. 16, 2016, site visited Dec. 23, 2016, <http://www.bestproducts.com/cars/tools-and-DIY/g731/ice-scrapers-snow-brushes/?slide=10>.*

Tools : Ice scraper with LED, website copyright 2015, <https://www.probospromotions.com/tools/ice-scraper-with-led-mob-mo8646>, [site visited Dec. 23, 2016 5:31:39 PM].*

* cited by examiner

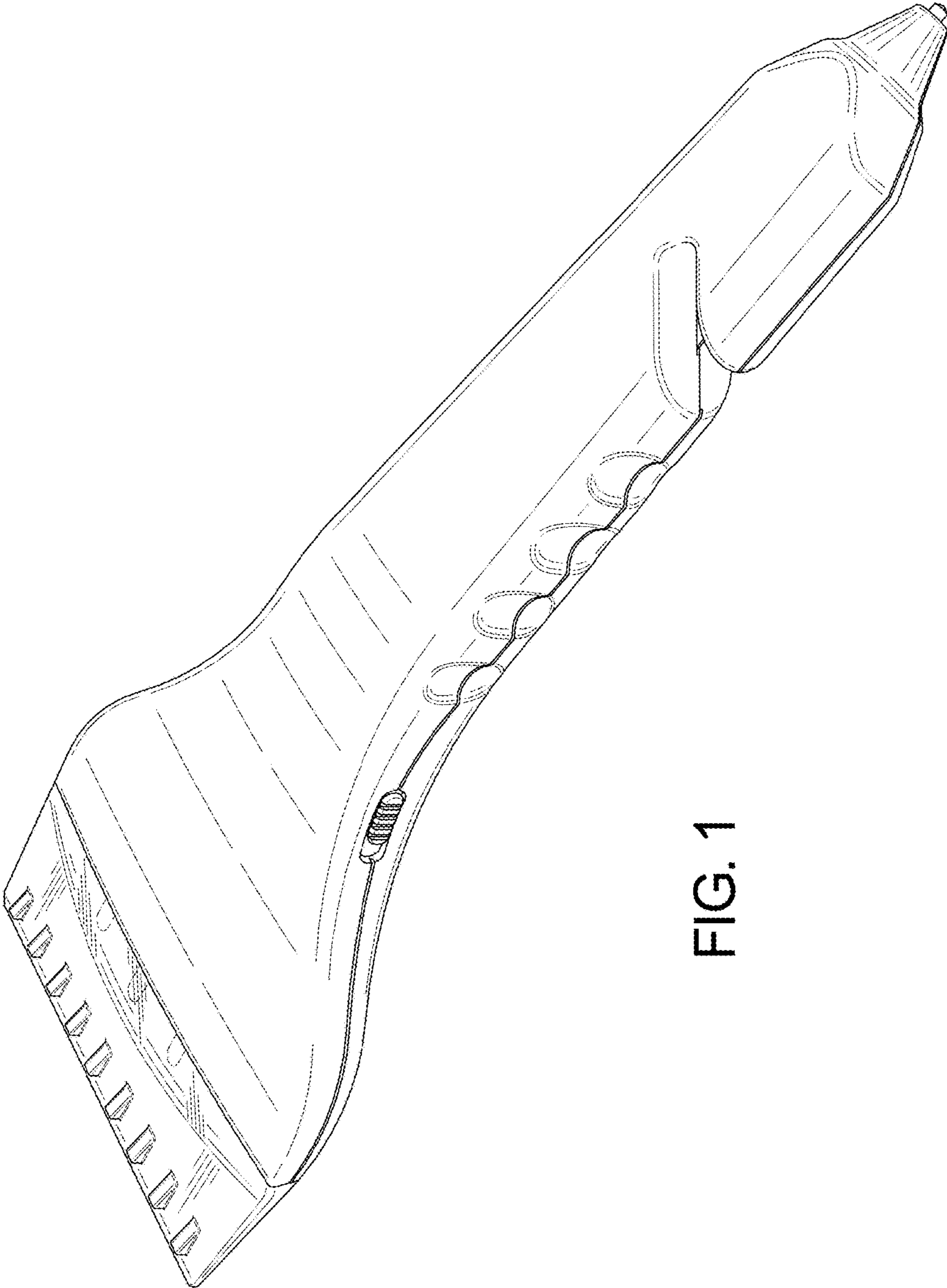


FIG. 1

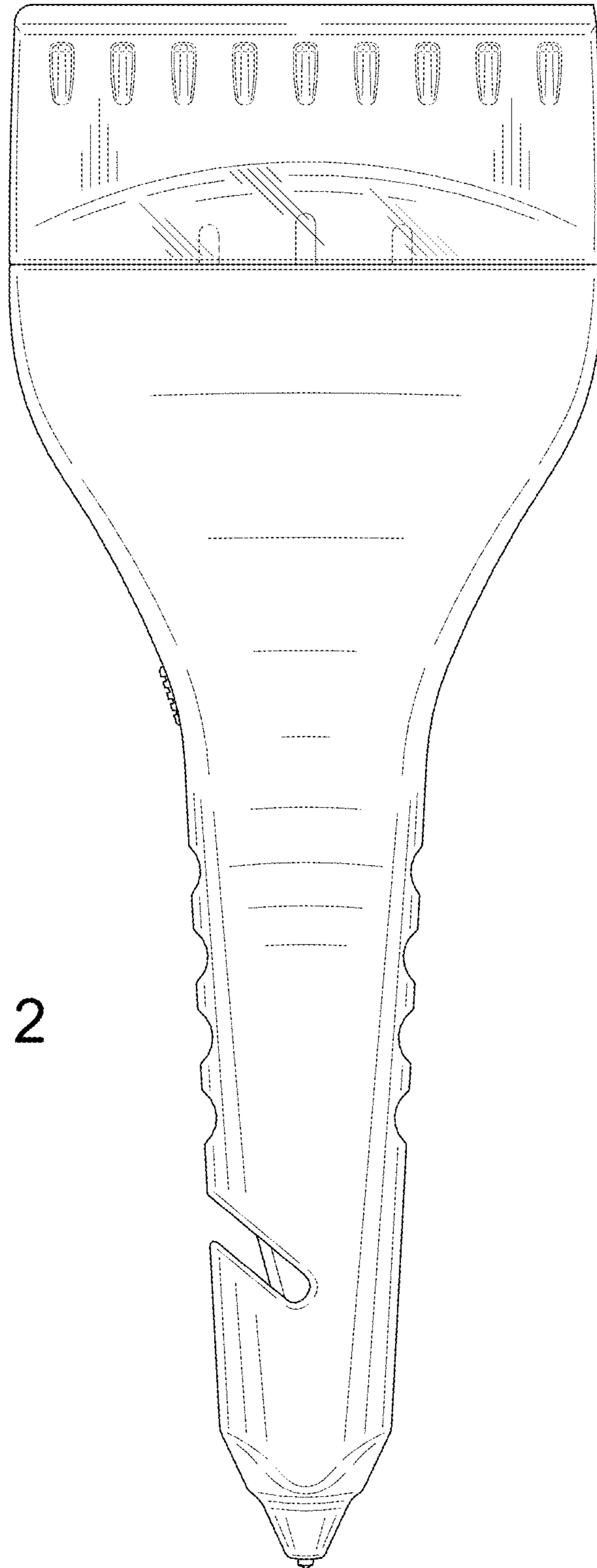


FIG. 2

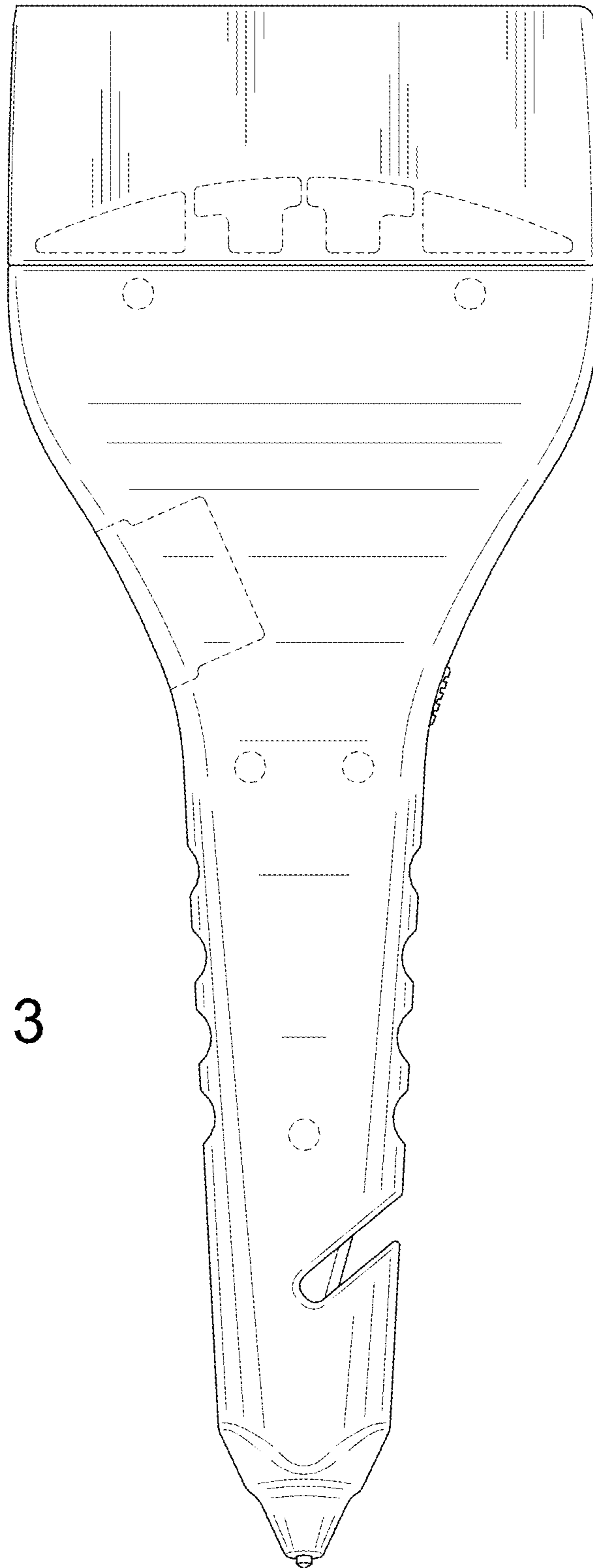


FIG. 3

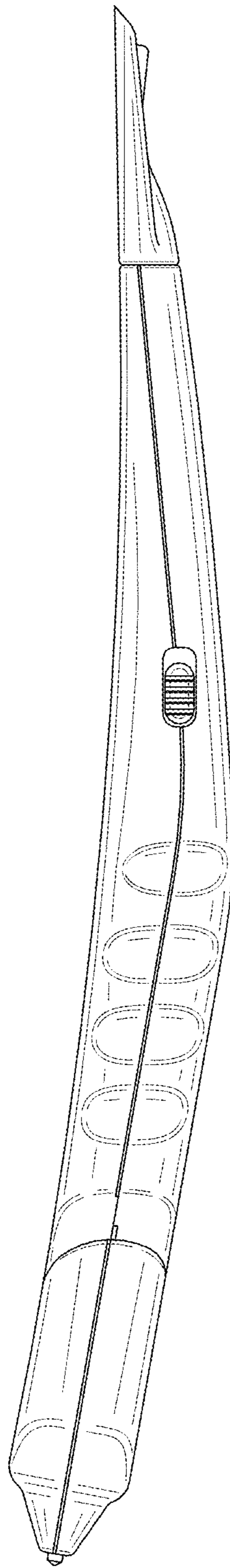


FIG. 4

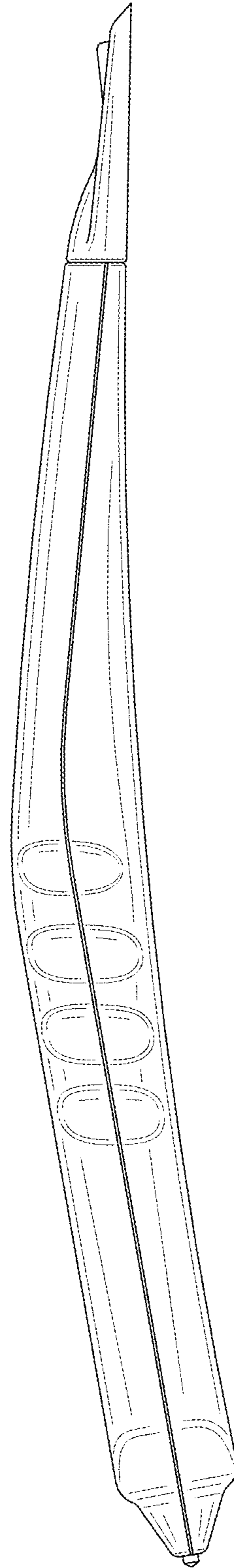


FIG. 5

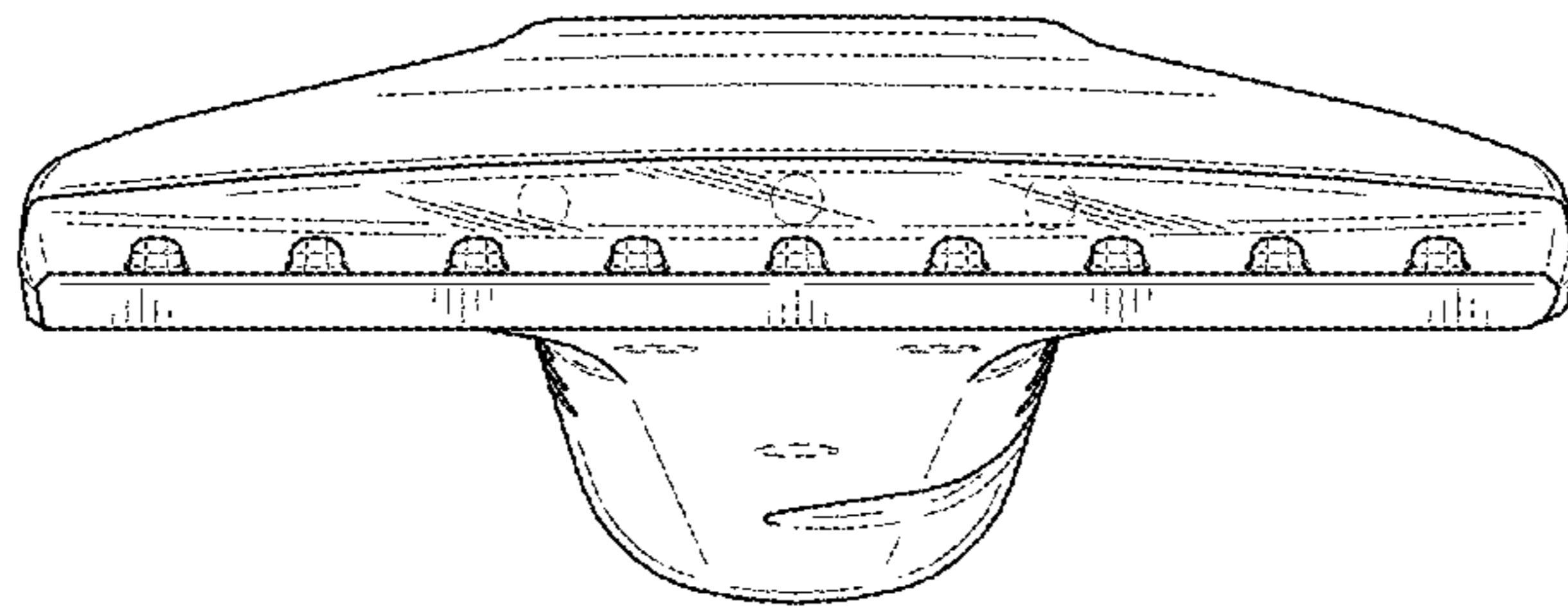


FIG. 6

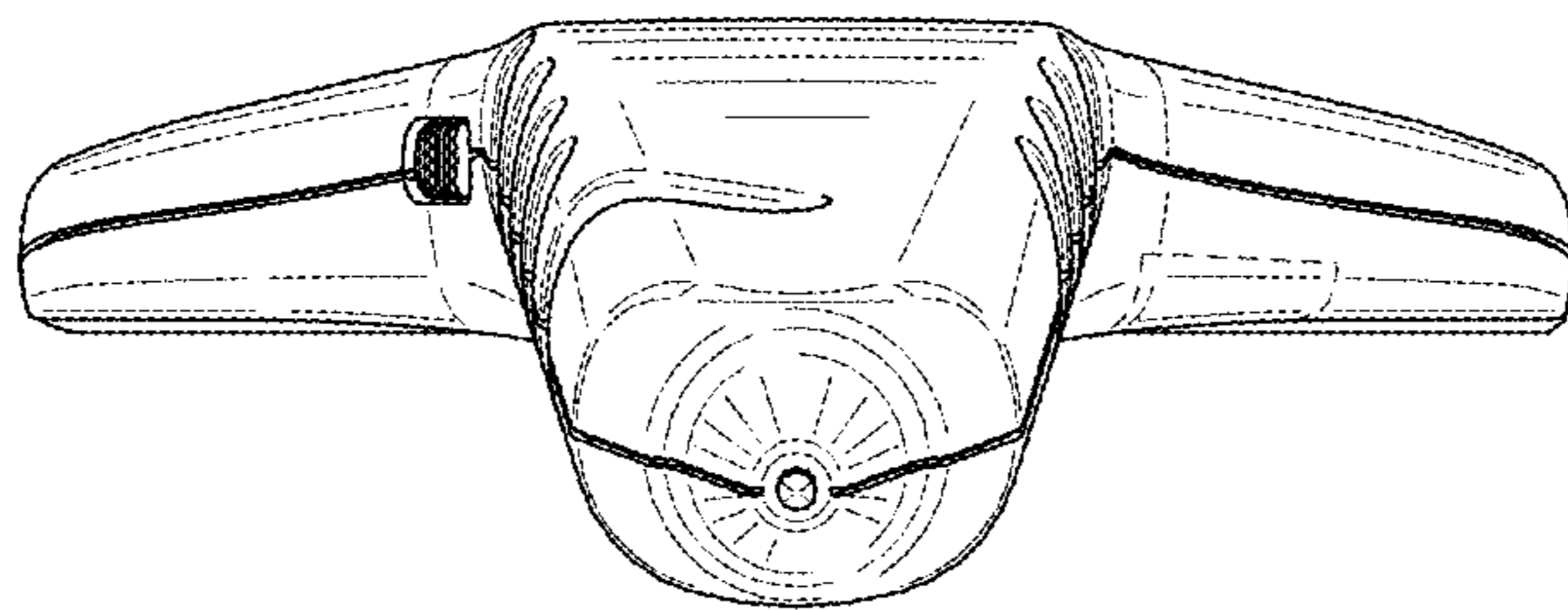


FIG. 7