



US00D788392S

(12) **United States Design Patent**
Gidwell et al.

(10) **Patent No.:** **US D788,392 S**

(45) **Date of Patent:** **** *May 30, 2017**

(54) **CADDY**

(71) Applicant: **SharkNinja Operating LLC**, Newton, MA (US)

(72) Inventors: **Christopher Gidwell**, Auburndale, MA (US); **James R. Varney**, Maynard, MA (US); **James M. Ormond**, Belmont, MA (US)

(73) Assignee: **SharkNinja Operating LLC**, Newton, MA (US)

(*) Notice: This patent is subject to a terminal disclaimer.

(**) Term: **14 Years**

(21) Appl. No.: **29/487,524**

(22) Filed: **Apr. 9, 2014**

(51) **LOC (10) Cl.** **15-05**

(52) **U.S. Cl.**
USPC **D32/31**

(58) **Field of Classification Search**
USPC D32/21, 23-24, 31
CPC . A47L 5/362; A47L 5/365; A47L 5/28; A47L 9/26; A47L 11/34; A47L 7/0038; B65H 75/18

See application file for complete search history.

(56) **References Cited**

U.S. PATENT DOCUMENTS

D709,253 S * 7/2014 Lim et al. D32/21
D714,001 S * 9/2014 Yun et al. D32/21

D718,504 S * 11/2014 Carter et al. D32/21
D723,754 S * 3/2015 Yun et al. D32/21
D724,281 S * 3/2015 Irfan et al. D32/21
D724,799 S * 3/2015 Yun et al. D32/21
D724,800 S * 3/2015 Irfan et al. D32/21
D724,801 S * 3/2015 Yoon et al. D32/21
D728,175 S * 4/2015 Park et al. D32/21
D728,873 S * 5/2015 Renaud et al. D32/21
D730,600 S * 5/2015 Springell et al. D32/21

* cited by examiner

Primary Examiner — Ruth McInroy

(74) *Attorney, Agent, or Firm* — Grossman Tucker Perreault & Pfeleger, PLLC

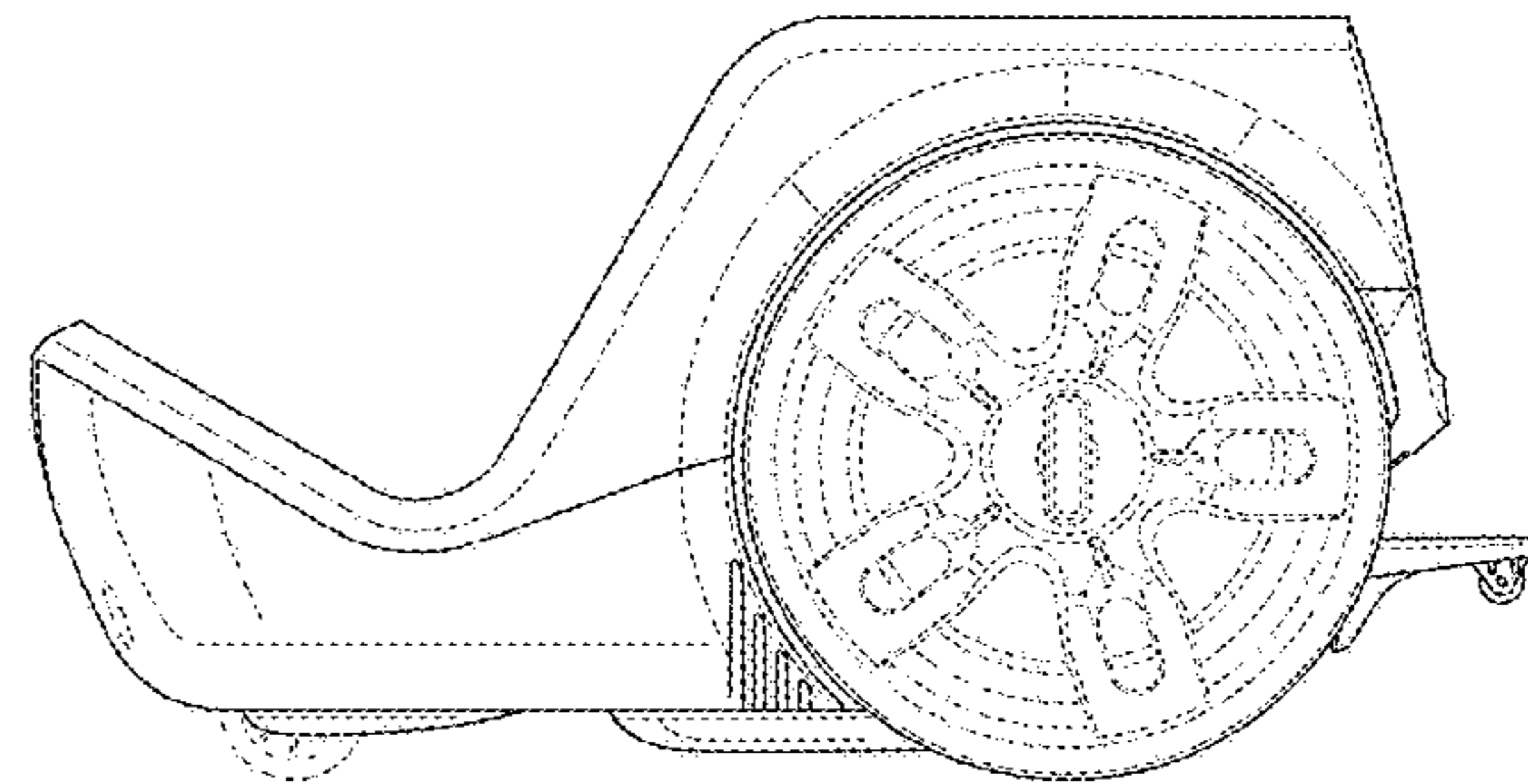
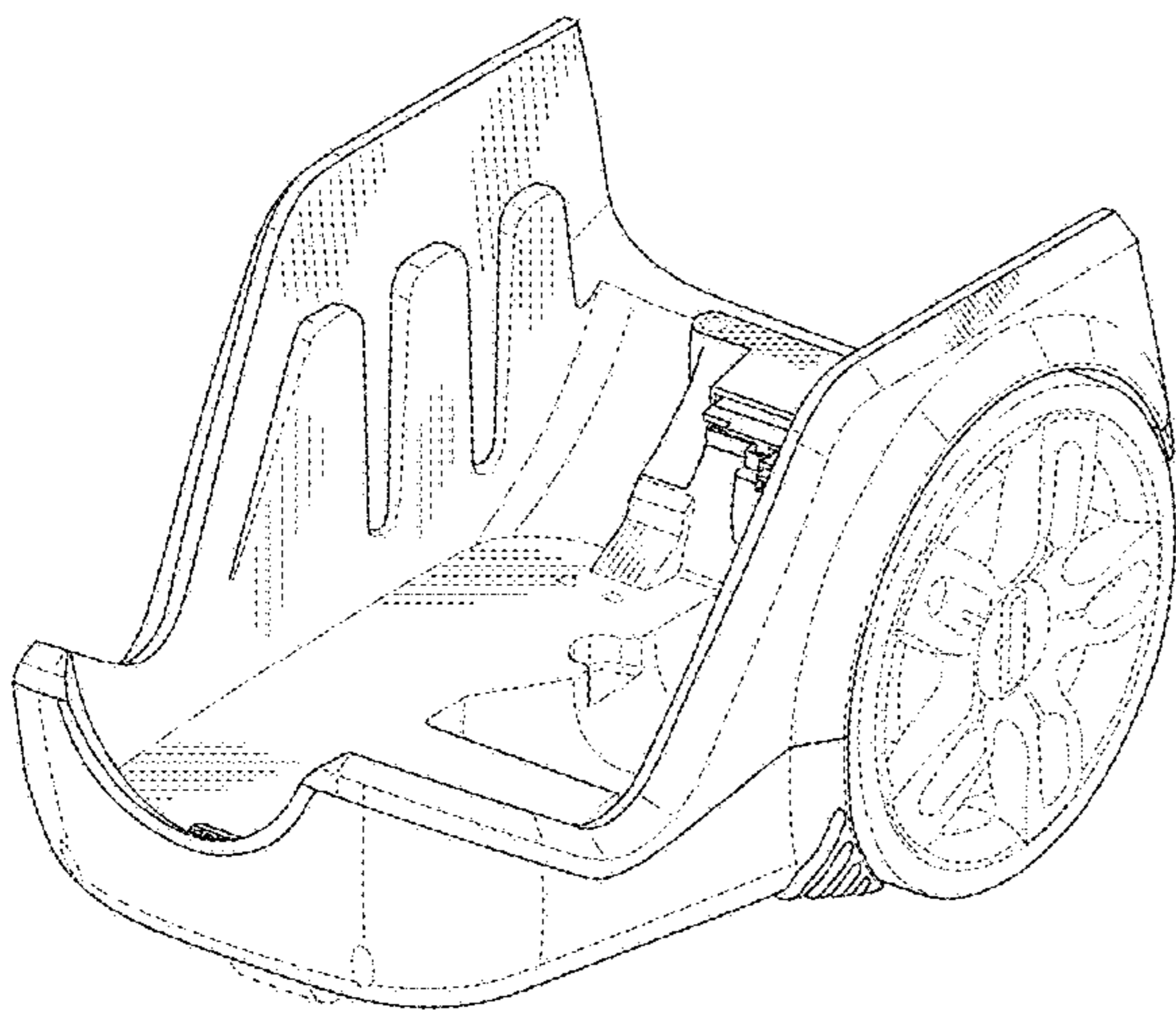
(57) **CLAIM**

The ornamental design for a caddy, as shown and described.

DESCRIPTION

FIG. 1 is a perspective view of a caddy showing our new design;
FIG. 2 is a left side view thereof;
FIG. 3 is a right side view thereof;
FIG. 4 is a front view thereof;
FIG. 5 is a rear view thereof; and,
FIG. 6 is a top view thereof.
The details shown in broken lines form no part of the claimed design.

1 Claim, 6 Drawing Sheets



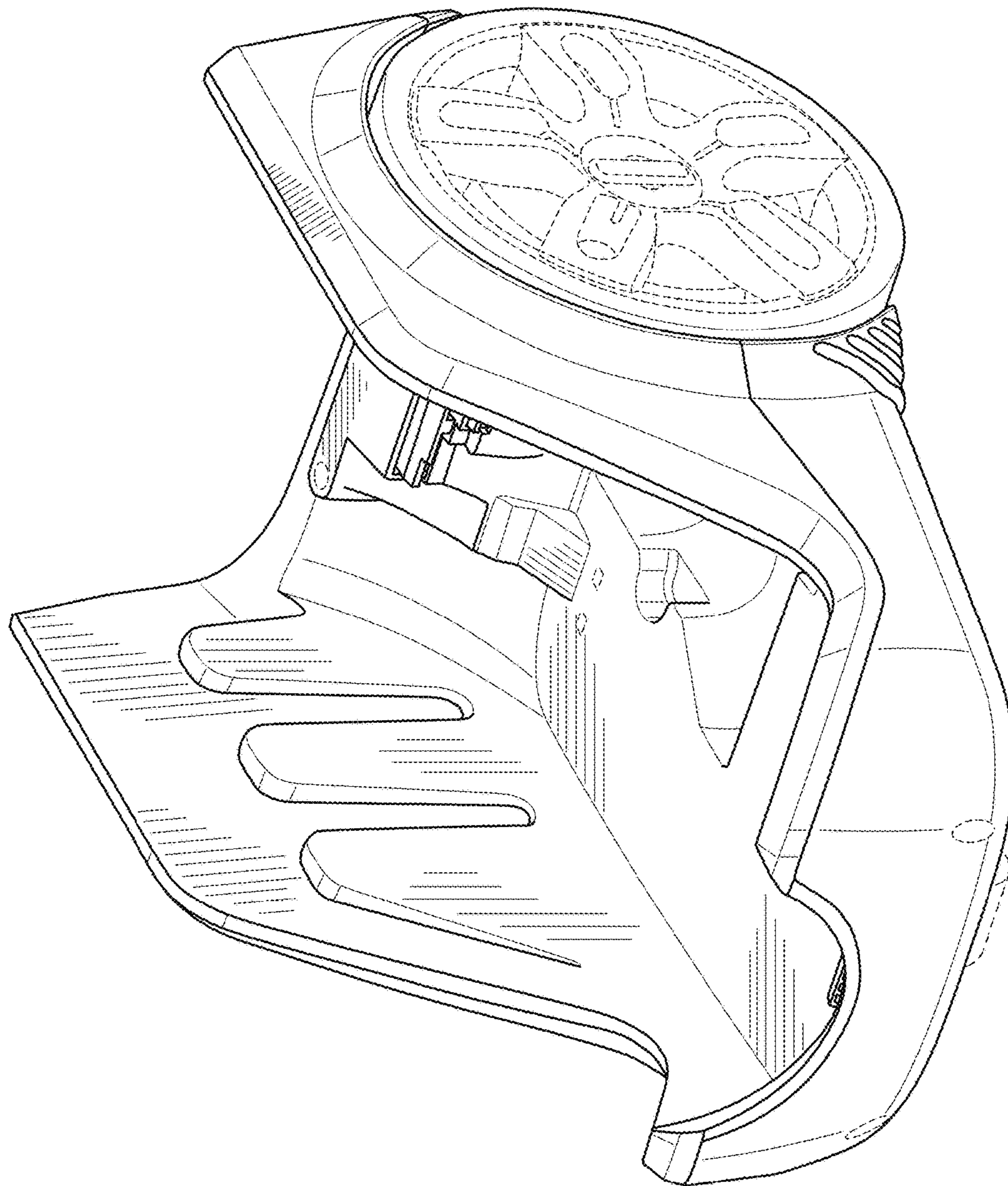


FIG. 1

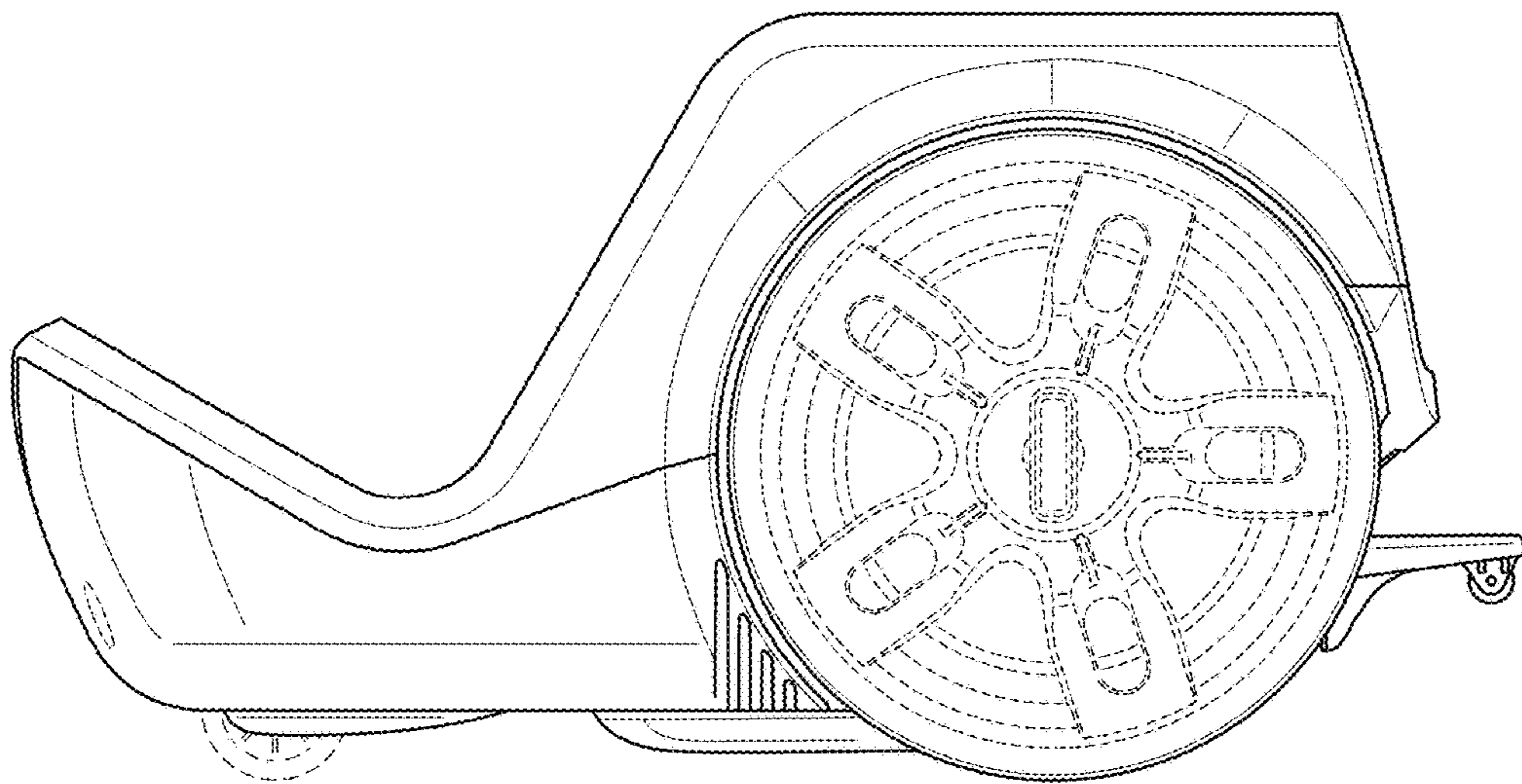


FIG. 2

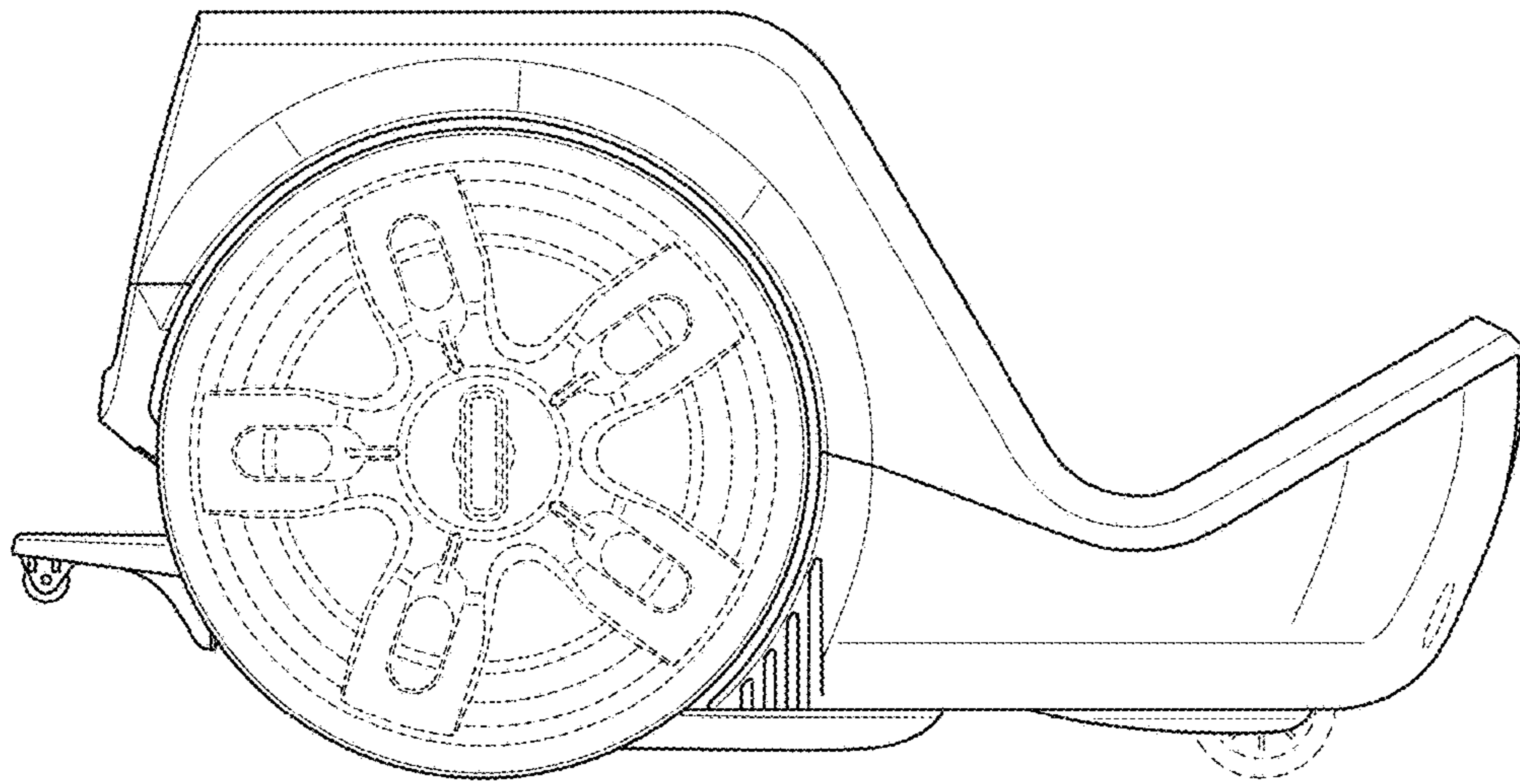


FIG. 3

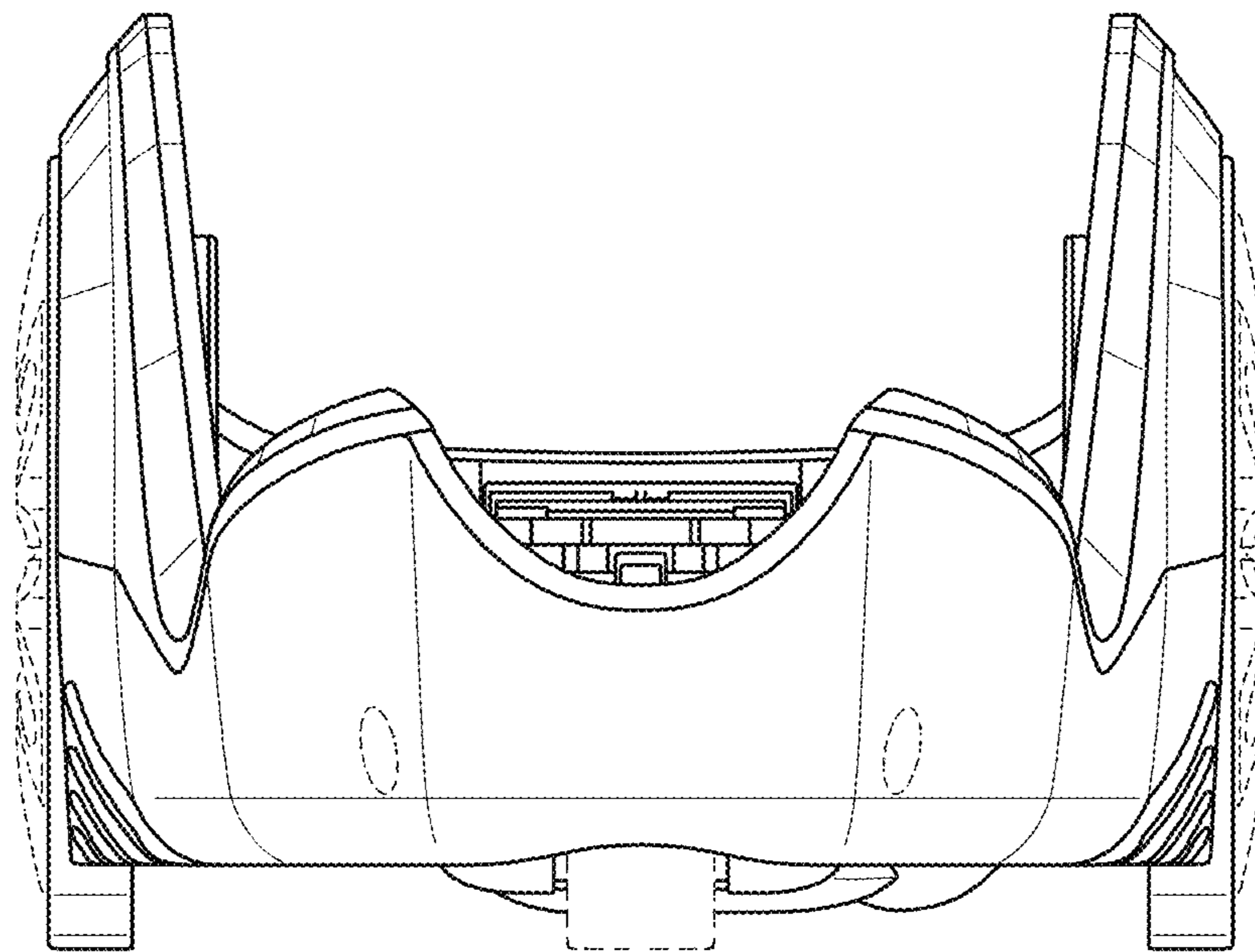


FIG. 4

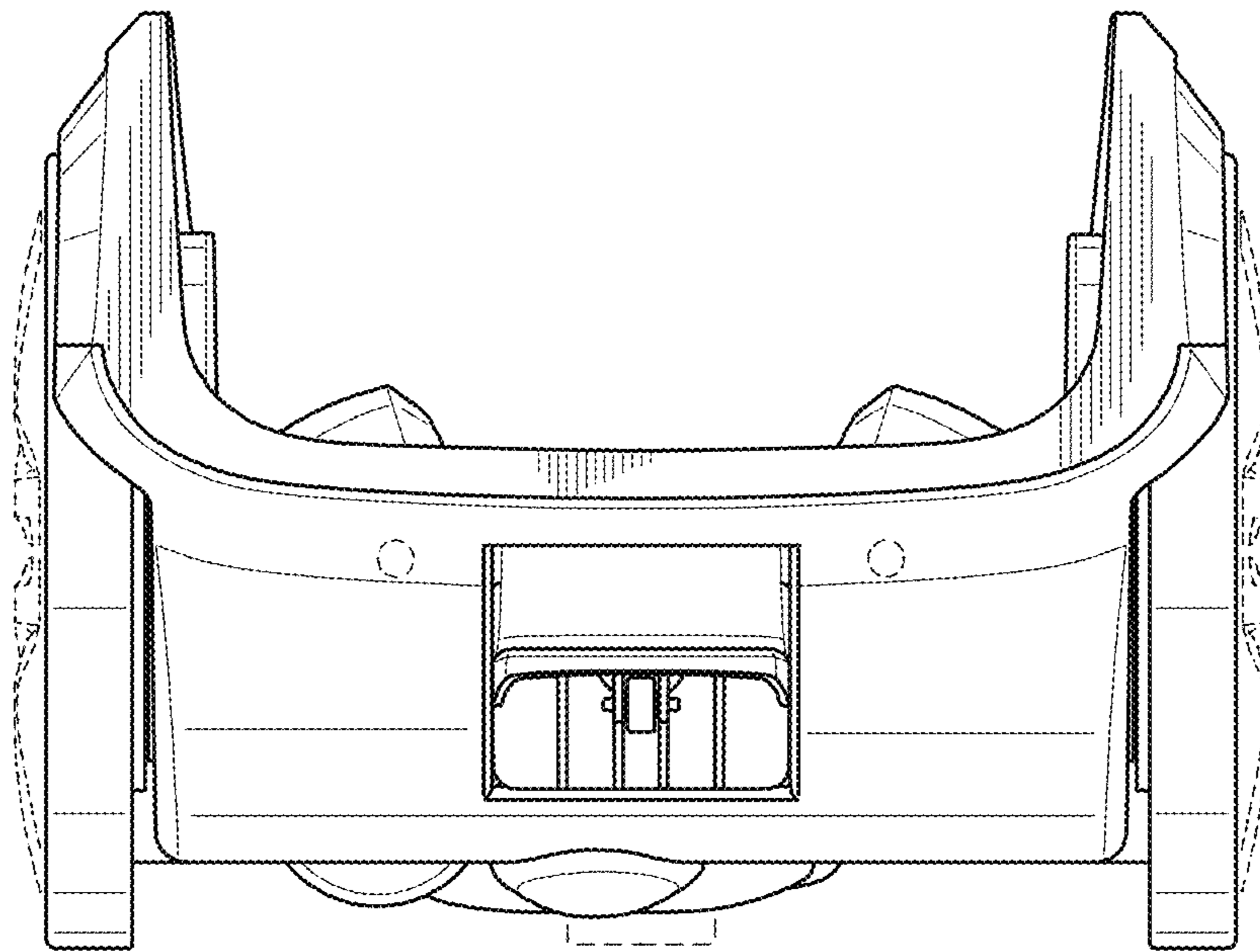


FIG. 5

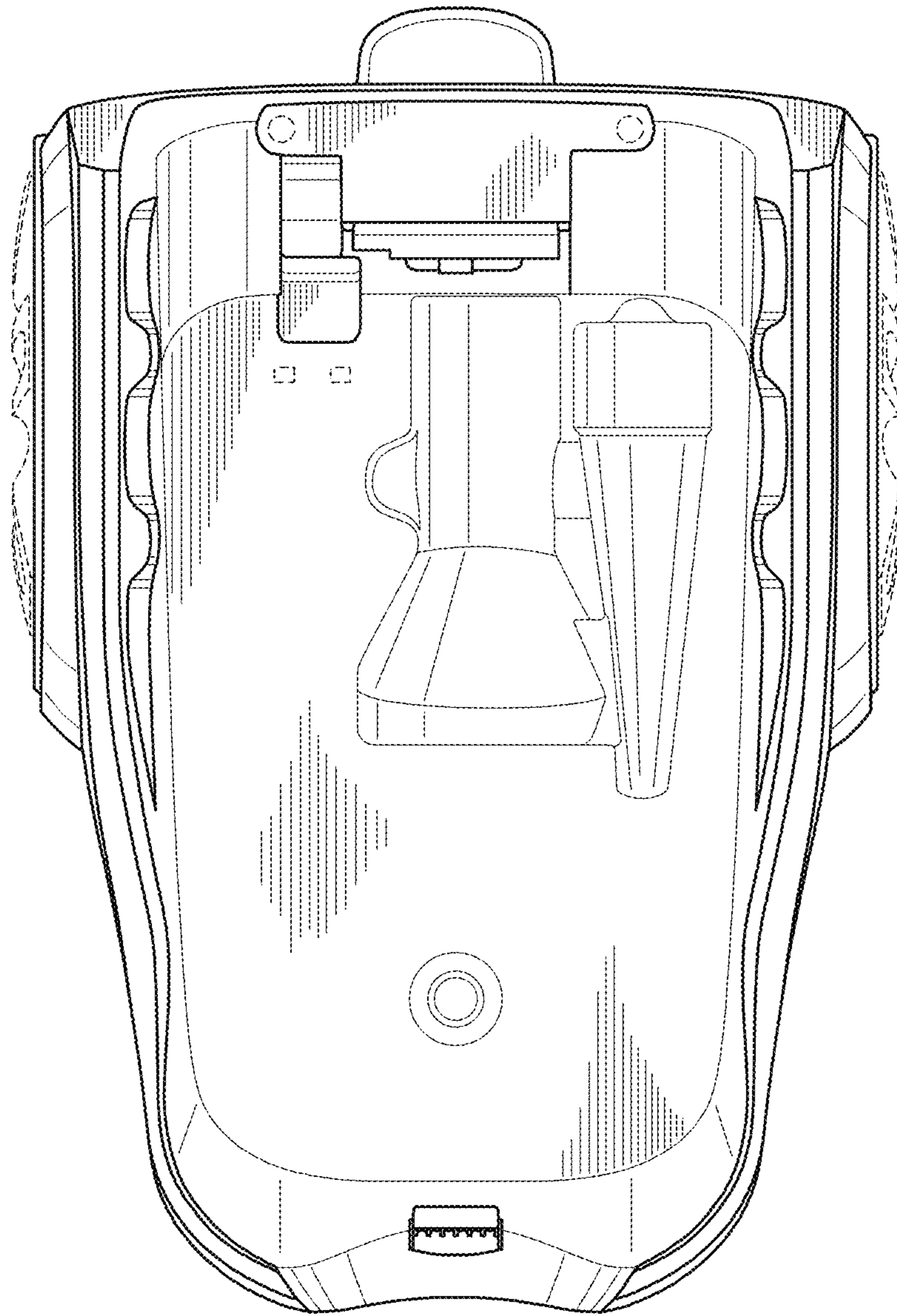


FIG. 6