



US00D788390S

(12) **United States Design Patent**  
**Kim et al.**

(10) **Patent No.:** **US D788,390 S**

(45) **Date of Patent:** **\*\* May 30, 2017**

(54) **DETERGENT CONTAINER FOR WASHING MACHINE**

(71) Applicant: **Samsung Electronics Co., Ltd.**,  
Suwon-si (KR)

(72) Inventors: **Jin-Nam Kim**, Seoul (KR); **Ji-Yeun Yoon**, Seoul (KR); **Dong-Won Chun**, Seoul (KR)

(73) Assignee: **Samsung Electronics Co., Ltd.**,  
Suwon-si (KR)

(\*\*) Term: **15 Years**

(21) Appl. No.: **29/549,406**

(22) Filed: **Dec. 22, 2015**

(30) **Foreign Application Priority Data**

Jul. 2, 2015 (KR) ..... 30-2015-0033373

(51) **LOC (10) Cl.** ..... **15-05**

(52) **U.S. Cl.**  
USPC ..... **D32/29.1**

(58) **Field of Classification Search**  
USPC ..... D32/29.1, 29, 28, 6, 8, 25, 1, 5, 10;  
D6/510; D7/348-349

(Continued)

(56) **References Cited**

U.S. PATENT DOCUMENTS

D637,371 S 5/2011 Sim et al.  
9,315,936 B2\* 4/2016 Bolduan ..... D06F 39/022  
(Continued)

FOREIGN PATENT DOCUMENTS

KR 30-2006-0043461 5/2007  
KR 30-2008-0052529 6/2009  
RU 00099283 \* 11/2015

OTHER PUBLICATIONS

Whirlpool Duet, posted by ReviewedHome posted date Oct. 23, 2012, © YouTube.com, [online], [site visited Jan. 3, 2017]. Avail-

able from Internet, <URL: <https://www.youtube.com/watch?v=ZyEp5hbfBHc>>.\*

Heenanejib Blog "Washers are not the same! 6 motion LG washer". [2009] photolog.blog.naver.com Oct. 22, 2009 <[http://photolog.blog.naver.com/PostThumbnailView.nhn?blogId=heena\\_mom&logNo=30072127315&categoryNo=41&parentCategoryNo=](http://photolog.blog.naver.com/PostThumbnailView.nhn?blogId=heena_mom&logNo=30072127315&categoryNo=41&parentCategoryNo=)>.

(Continued)

*Primary Examiner* — Caron D Veynar

*Assistant Examiner* — Laura Yu

(74) *Attorney, Agent, or Firm* — NSIP Law

(57) **CLAIM**

We claim the ornamental design for a detergent container for washing machine, as shown and described.

**DESCRIPTION**

FIG. 1 is a front perspective view of a detergent container for washing machine showing our new design;

FIG. 2 is a front view thereof;

FIG. 3 is a rear view thereof;

FIG. 4 is a left-side view thereof;

FIG. 5 is a right-side view thereof;

FIG. 6 is a top view thereof;

FIG. 7 is a bottom view thereof;

FIG. 8 is an exploded view of the detergent container for washing machine in which the upper right portion is shown separated from the body of the detergent container for washing machine;

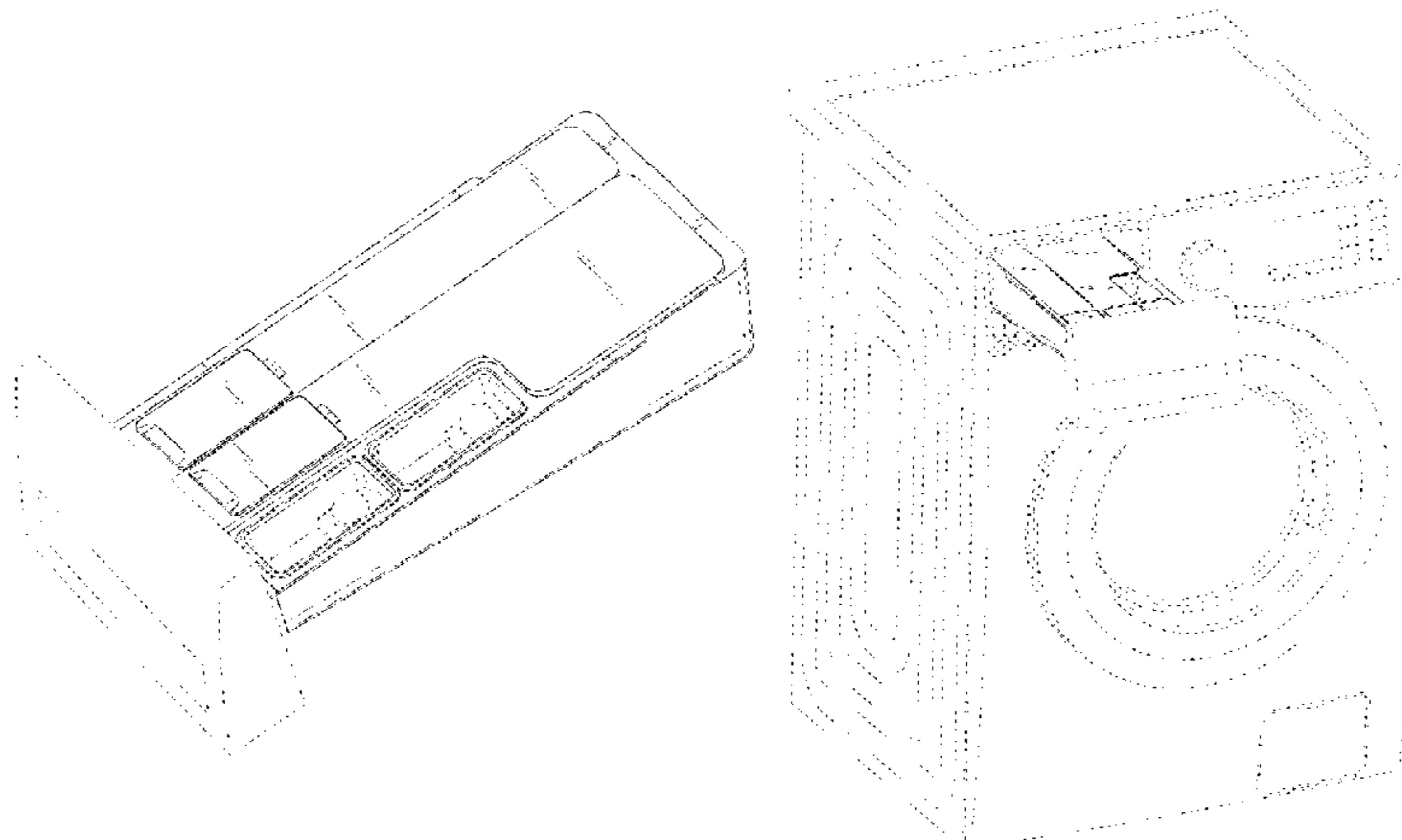
FIG. 9 is an exploded view of the detergent container for washing machine in which the upper left portion is shown separated from the body of the detergent container for washing machine; and,

FIG. 10 is another front perspective of the detergent container for washing machine in which the body of the washing machine is provided in broken lines to illustrate an example environment.

The broken lines in the figures show portions of the detergent container for washing machine which form no part of the claimed design.

The dot-dash broken lines in the figures represent an unclaimed boundary line and form no part of the claimed design.

**1 Claim, 8 Drawing Sheets**



(58) **Field of Classification Search**  
 CPC ..... D06F 39/045; D06F 29/00; D06F 29/005;  
 D06F 39/022; D06F 33/02; D06F  
 2204/065; D06F 35/006; A47L 15/4418  
 See application file for complete search history.

2014/0053614 A1\* 2/2014 Lee ..... D06F 39/024  
 68/17 A  
 2014/0190220 A1\* 7/2014 Lee ..... D06F 39/02  
 68/17 R  
 2016/0194813 A1\* 7/2016 Kurtkaya ..... A47L 15/4418  
 134/115 R  
 2016/0258106 A1\* 9/2016 Kim ..... D06F 39/022  
 2016/0273150 A1\* 9/2016 Del Pos ..... D06F 39/005

(56) **References Cited**

U.S. PATENT DOCUMENTS

9,334,602 B2\* 5/2016 Hasse ..... D06F 39/022  
 2005/0274157 A1\* 12/2005 Yang ..... D06F 9/022  
 68/17 R  
 2007/0044517 A1\* 3/2007 Yang ..... D06F 9/022  
 68/17 R  
 2010/0107704 A1\* 5/2010 Seo ..... D06F 39/02  
 68/17 R  
 2012/0174632 A1\* 7/2012 Sung ..... D06F 39/022  
 68/17 R  
 2012/0180533 A1\* 7/2012 Song ..... D06F 39/02  
 68/17 R

OTHER PUBLICATIONS

WoleokVirus “[How to wash a drum washer] Lets clean the drum washer and use it”. [2013] worleok.tistory.com Sep. 26, 2013 <ttp://worleok.tistory.com/entry/%EB%93%9C%EB%9F%BC%EC%84%B8%ED%83%81%EA%B8%B0-%EC%B2%AD%EC%86%8C%ED%95%98%EB%8A%94%EB%B2%95%EB%93%9C%EB%9F%BC%EC%84%B8%ED%83%81%EA%B8%B0%EA%B9%A8%EB%81%97%ED%95%EA%B2%8C%EC%B2%AD%EC%86%8C%ED%95%B4%EC%84%9C-%EC%82%AC%EC%9A%A9%ED%95%98%EC%9E%90>.

\* cited by examiner

FIG. 1

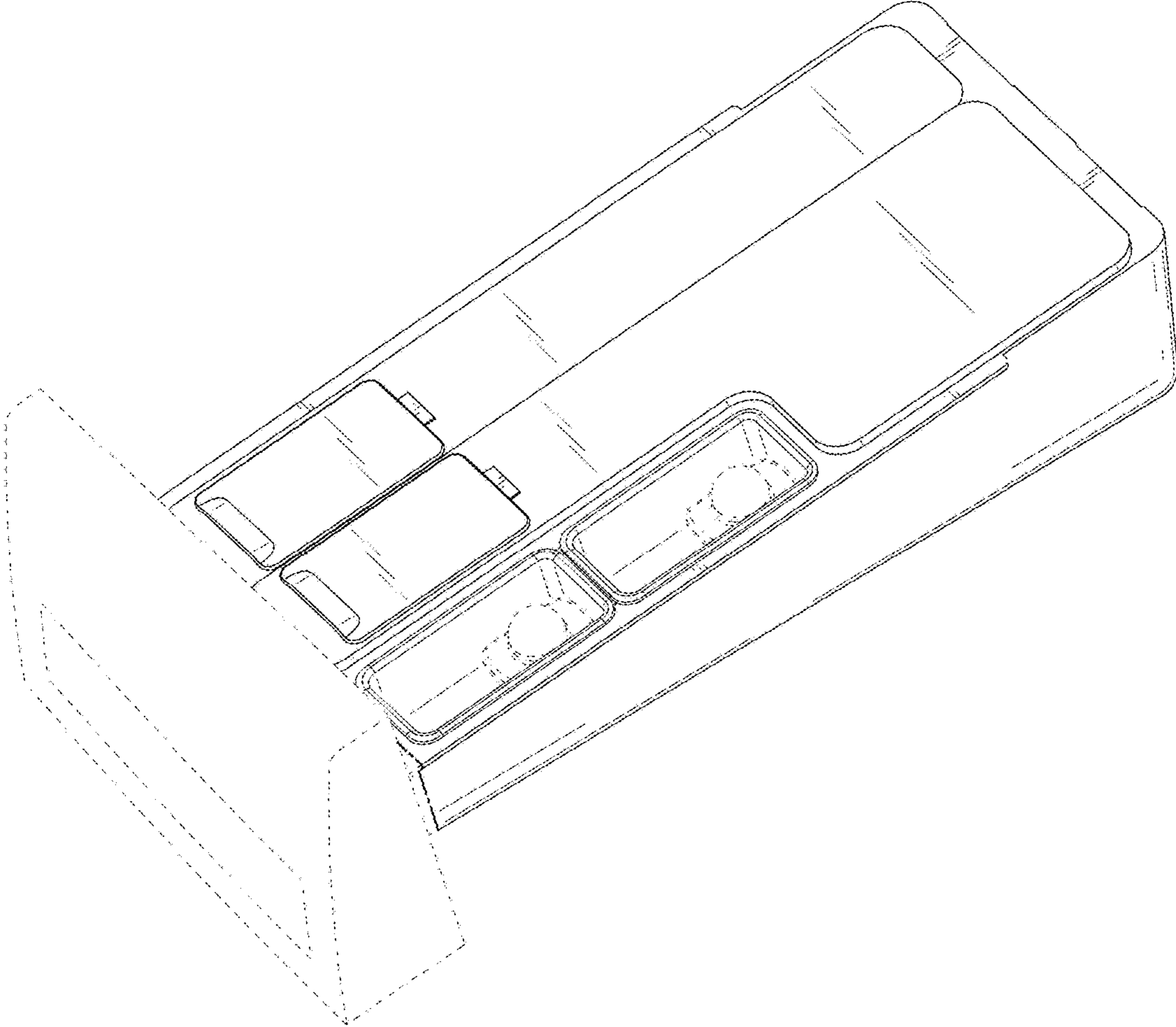


FIG. 2



FIG. 3

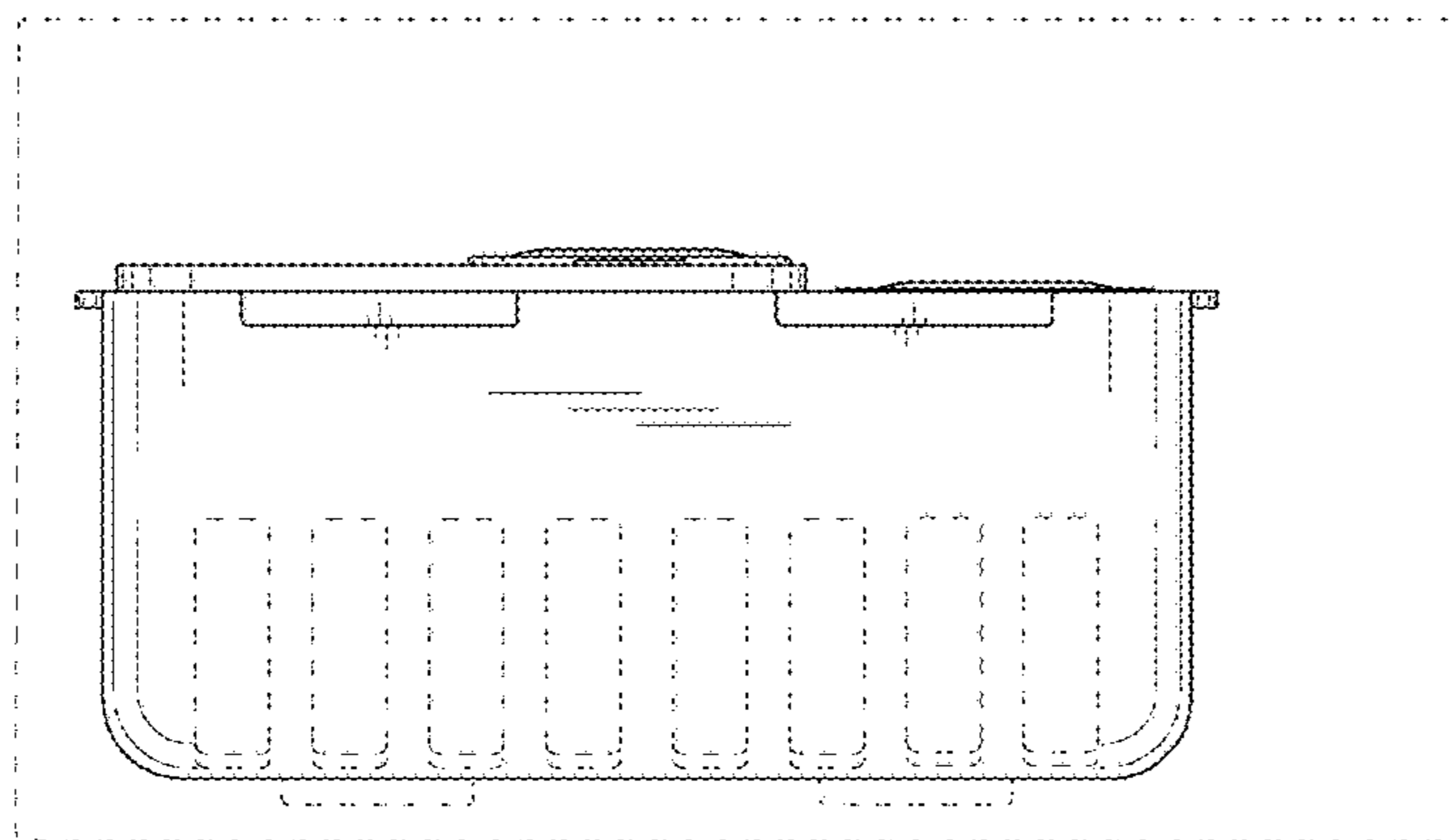


FIG. 4

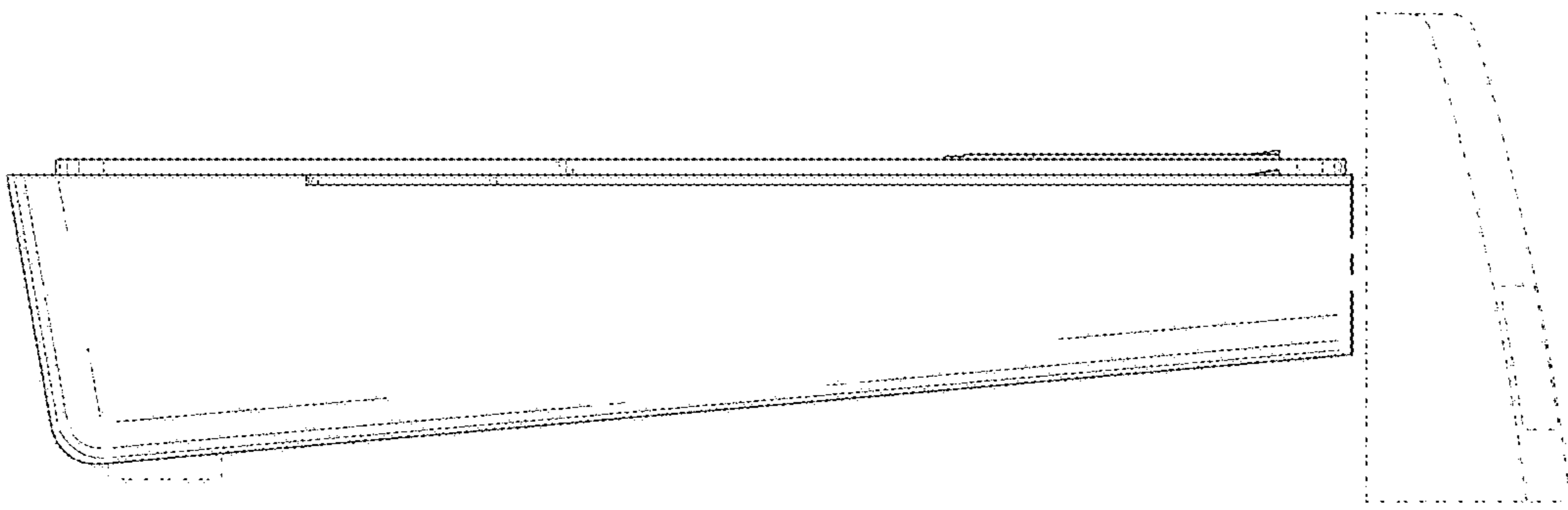


FIG. 5

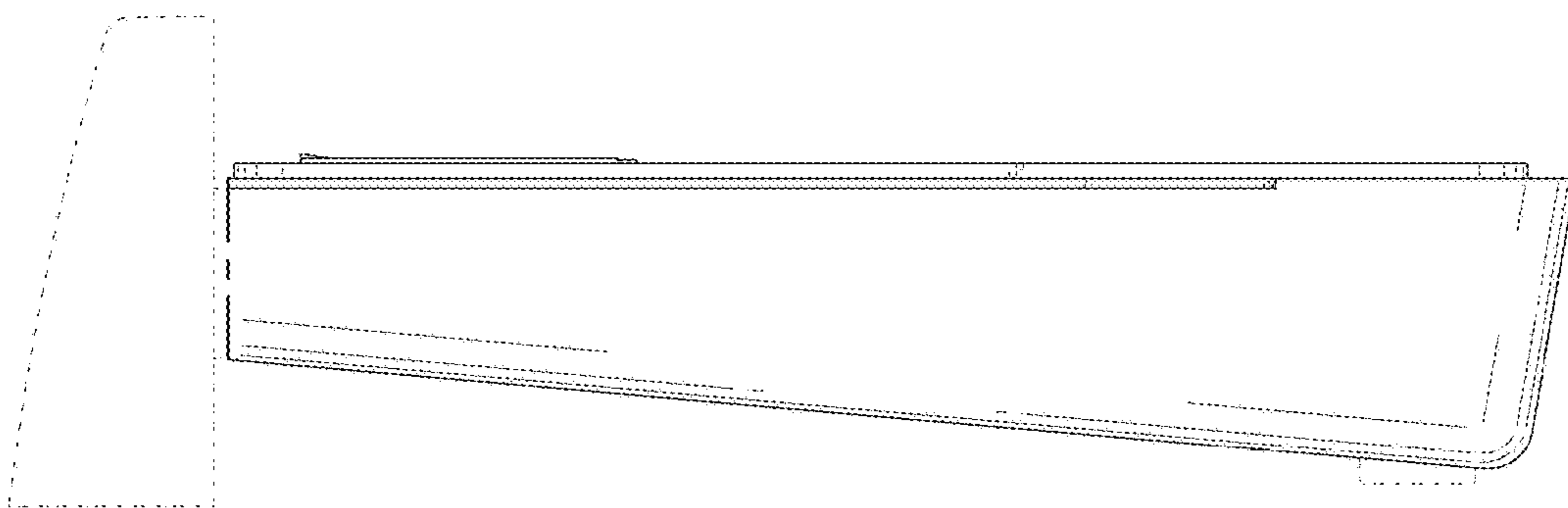


FIG. 6

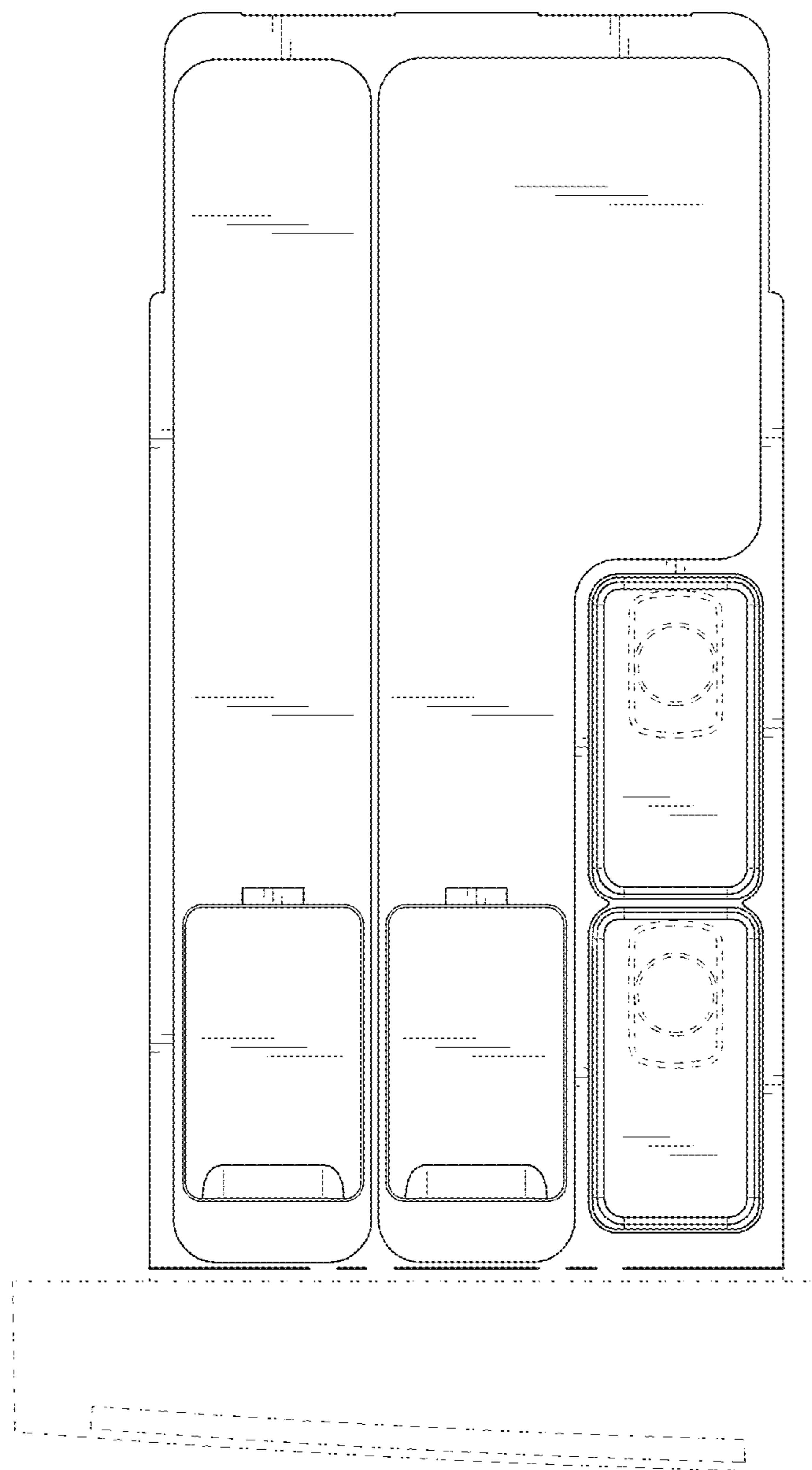


FIG. 7

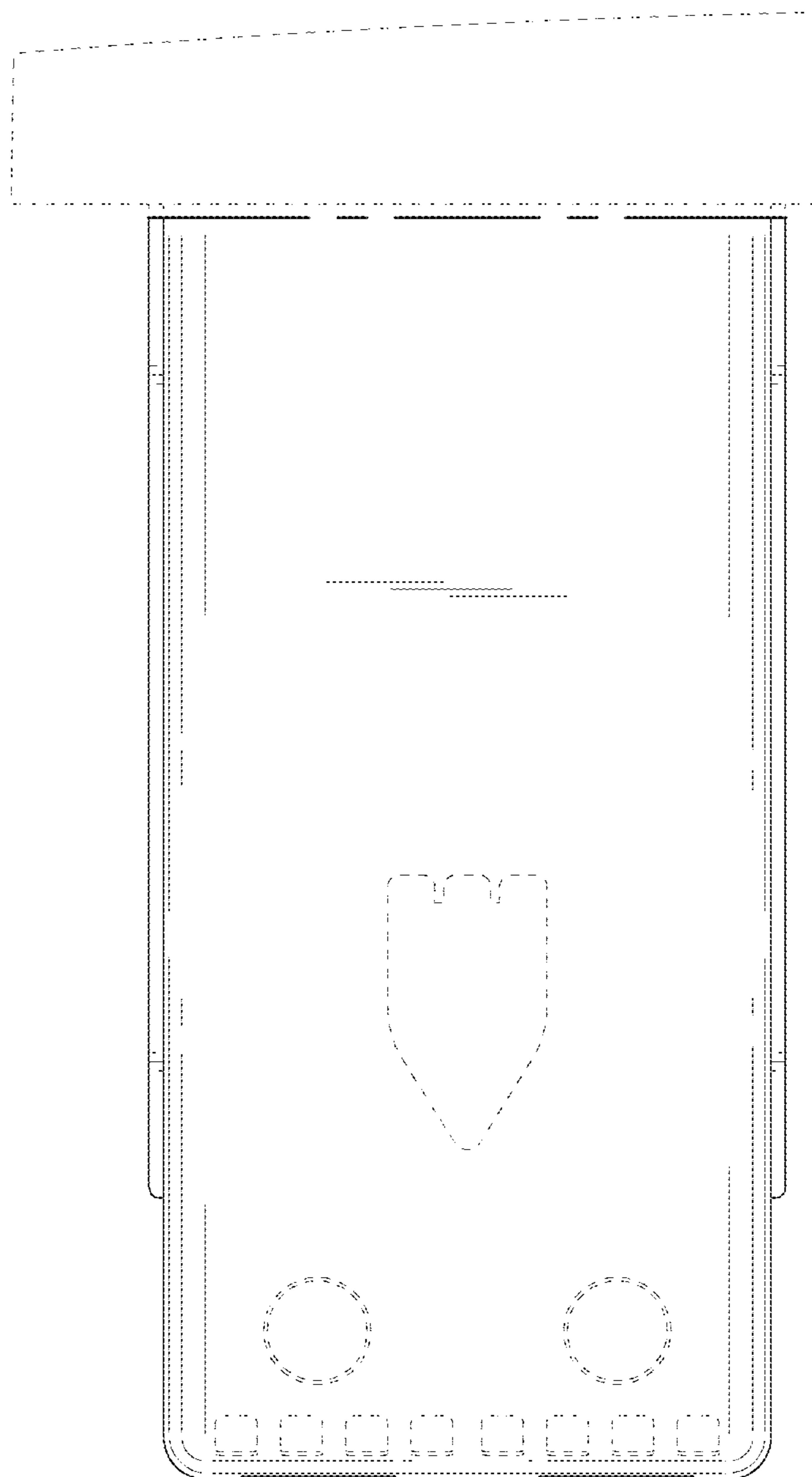


FIG. 8

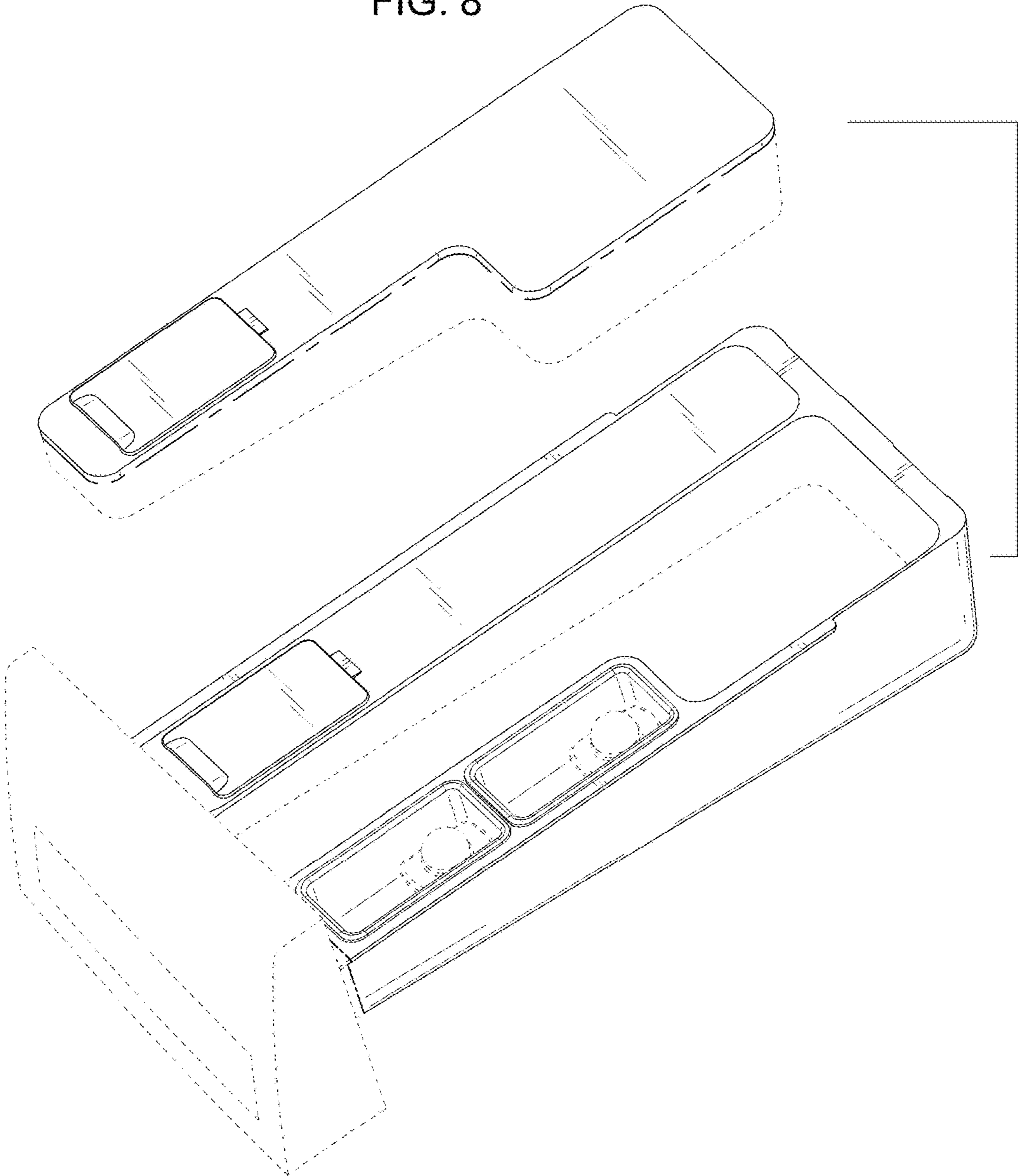




FIG. 9

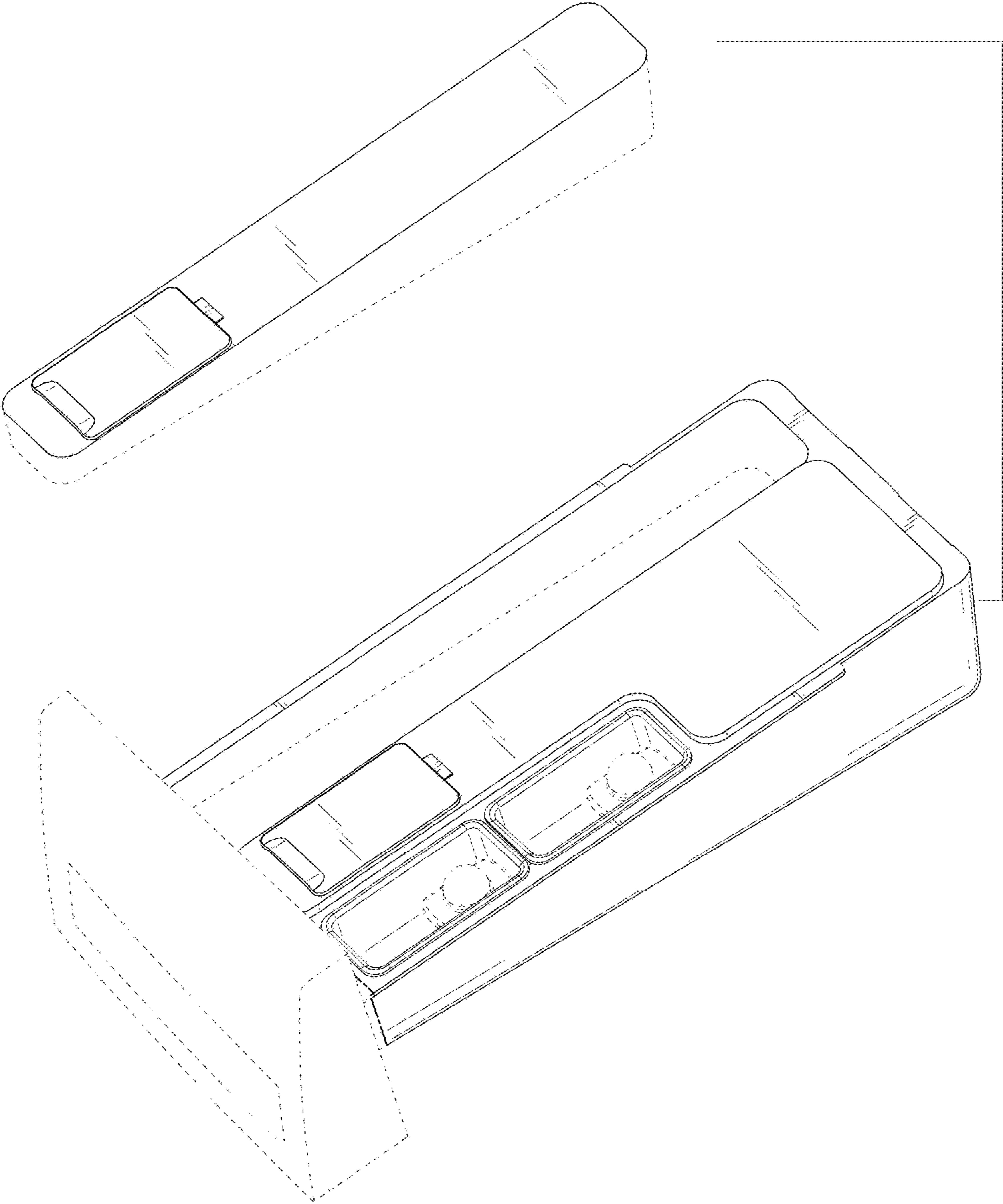


FIG. 10

