



US00D788389S

(12) **United States Design Patent** (10) **Patent No.:** **US D788,389 S**  
**Kim et al.** (45) **Date of Patent:** **\*\* May 30, 2017**

(54) **DETERGENT CONTAINER FOR WASHING MACHINE**

(71) Applicant: **Samsung Electronics Co., Ltd.**,  
Suwon-si (KR)

(72) Inventors: **Jin-Nam Kim**, Seoul (KR); **Ji-Yeun Yoon**, Seoul (KR); **Dong-Won Chun**, Seoul (KR)

(73) Assignee: **Samsung Electronics Co., Ltd.**,  
Suwon-si (KR)

(\*\*) Term: **15 Years**

(21) Appl. No.: **29/548,612**

(22) Filed: **Dec. 15, 2015**

(30) **Foreign Application Priority Data**

Jul. 1, 2015 (KR) ..... 30-2015-0033272

(51) **LOC (10) Cl.** ..... **15-05**

(52) **U.S. Cl.**  
USPC ..... **D32/29.1; D32/29**

(58) **Field of Classification Search**  
USPC ..... D32/29.1, 29, 28, 6, 8, 25, 1, 5, 10;  
D6/510; D7/348-349; D9/420, 423, 432  
CPC ..... D06F 39/045; D06F 29/00; D06F 29/005;  
D06F 39/002; D06F 33/02; D06F  
2204/065; A47L 15/4418  
See application file for complete search history.

(56) **References Cited**

**U.S. PATENT DOCUMENTS**

3,207,416 A \* 9/1965 Koltz ..... B65D 5/543  
229/102  
D276,594 S \* 12/1984 Fahey ..... D9/420  
D440,600 S \* 4/2001 Seino ..... 347/86  
D442,219 S \* 5/2001 Chou ..... D18/56  
D449,782 S \* 10/2001 Diaz ..... D7/629  
D464,884 S \* 10/2002 Sumpmann ..... D9/432

(Continued)

**FOREIGN PATENT DOCUMENTS**

BR 200300054 \* 10/2004 ..... B29C 69/02  
EP 1001070 \* 12/1999 ..... D06F 39/02

(Continued)

**OTHER PUBLICATIONS**

Clear Rectangle Containers Uni PLastic Co, archived posting date Apr. 2, 2014, © 2001-2016, [online], [site visited Jan. 13, 2017]. Available from Internet, <<http://www.uni-plastic.com/Clear%20Rectangle%20Packaging%20Container.htm>>.\*

(Continued)

*Primary Examiner* — Caron D Veynar

*Assistant Examiner* — Laura Yu

(74) *Attorney, Agent, or Firm* — NSIP Law

(57) **CLAIM**

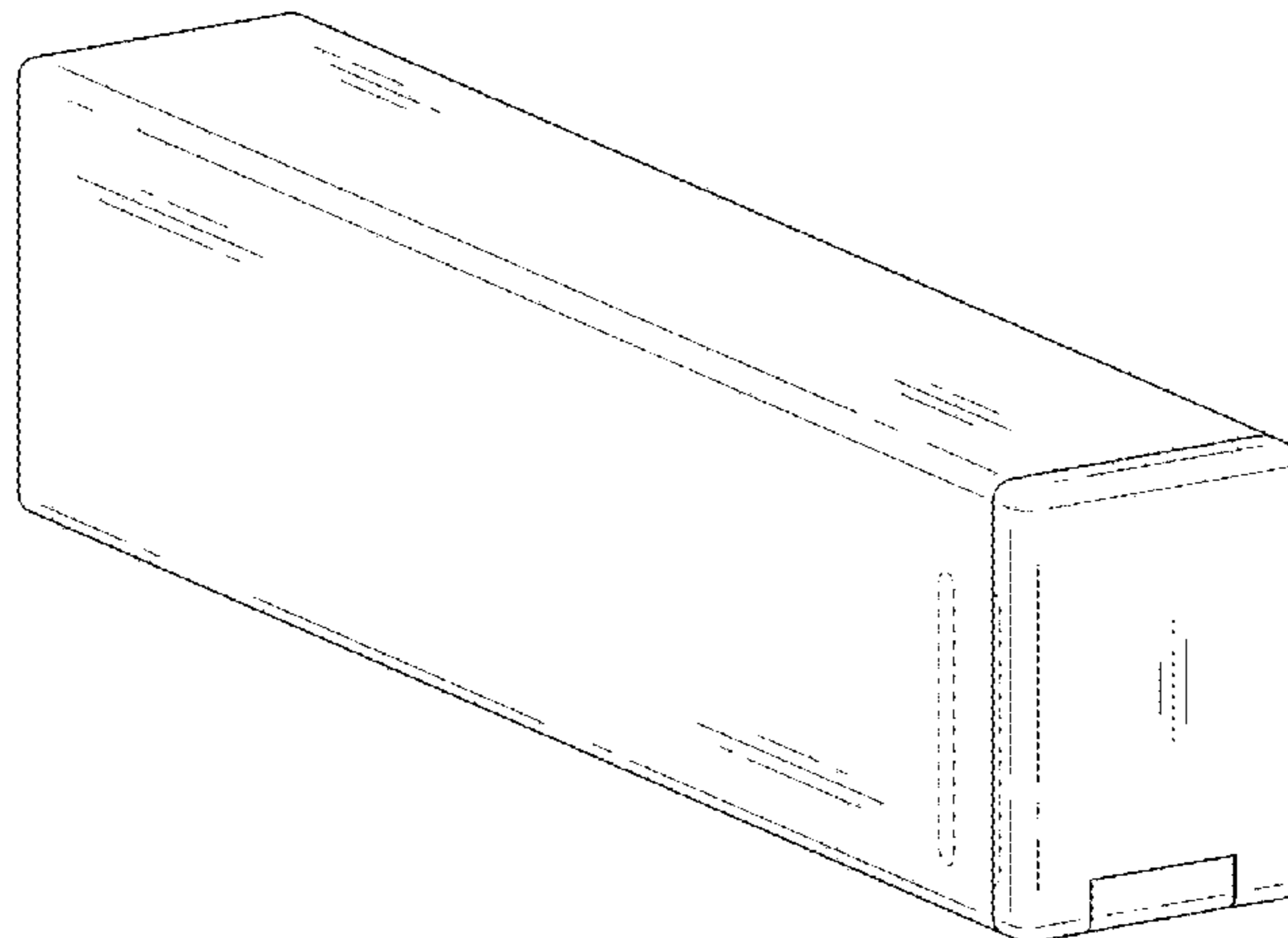
We claim the ornamental design for a detergent container for washing machine, as shown and described.

**DESCRIPTION**

FIG. 1 is a front perspective view of a detergent container for washing machine showing our new design; FIG. 2 is a front view thereof; FIG. 3 is a rear view thereof; FIG. 4 is a left-side view thereof; FIG. 5 is a right-side view thereof; FIG. 6 is a top view thereof; FIG. 7 is a bottom view thereof; and, FIG. 8 is another front perspective view of the detergent container for washing machine shown in an alternate position.

The broken lines in the figures show portions of the detergent container for washing machine which form no part of the claimed design.

**1 Claim, 6 Drawing Sheets**



(56)

References Cited

U.S. PATENT DOCUMENTS

D485,754 S \* 1/2004 Fielder ..... D9/416  
 D545,186 S \* 6/2007 Liebe ..... D9/420  
 D595,464 S \* 6/2009 Nam ..... D32/25  
 D636,257 S \* 4/2011 Bougoulas ..... D9/420  
 7,950,088 B2 \* 5/2011 Dalton ..... A47L 15/44  
 68/17 R  
 8,196,441 B2 \* 6/2012 Hendrickson ..... D06F 9/02  
 68/17 R  
 9,315,936 B2 \* 4/2016 Bolduan ..... D06F 39/022  
 2010/0107704 A1 \* 5/2010 Seo ..... D06F 39/02  
 68/17 R  
 2010/0161143 A1 \* 6/2010 Smith ..... A47L 15/4418  
 700/283  
 2012/0159998 A1 \* 6/2012 Bolduan ..... D06F 39/022  
 68/17 R  
 2013/0312463 A1 \* 11/2013 Kim ..... D06F 39/022  
 68/17 R  
 2014/0190220 A1 \* 7/2014 Lee ..... D06F 39/02  
 68/17 R  
 2016/0194813 A1 \* 7/2016 Kurtkaya ..... A47L 15/4418  
 134/115 R  
 2016/0258106 A1 \* 9/2016 Kim ..... D06F 39/022  
 2016/0289883 A1 \* 10/2016 Lv ..... D06F 35/005

FOREIGN PATENT DOCUMENTS

JP 2001039438 \* 7/1999 ..... B64D 5/54  
 JP 2010179007 \* 8/2010 ..... D06F 39/02  
 KR 30-2008-0028602 2/2009

OTHER PUBLICATIONS

Buyers and Sellers. "the inside of the new Miele Washing machine TwinDos ultra phase 1 and 2 system". [2013] plus.google.com Sep. 14, 2013 <<https://plus.google.com/+buyersandsellers/posts/3Phj9nkm2Sf>>.  
 Whirlpool. "Detergent Dispensing Cartridge". [2015] www.whirlpool.com May 24, 2015 <[http://www.whirlpool.com/3/\[W10250743A\]1001550/W10250743A/](http://www.whirlpool.com/3/[W10250743A]1001550/W10250743A/)>.  
 "Miele Ultraphase 1". [2015] www.geraldgiles.co.uk May 24, 2015 <<http://www.geraldgiles.co.uk/store/miele/accessories/ultraphase1/product5664/>>.

\* cited by examiner

FIG. 1

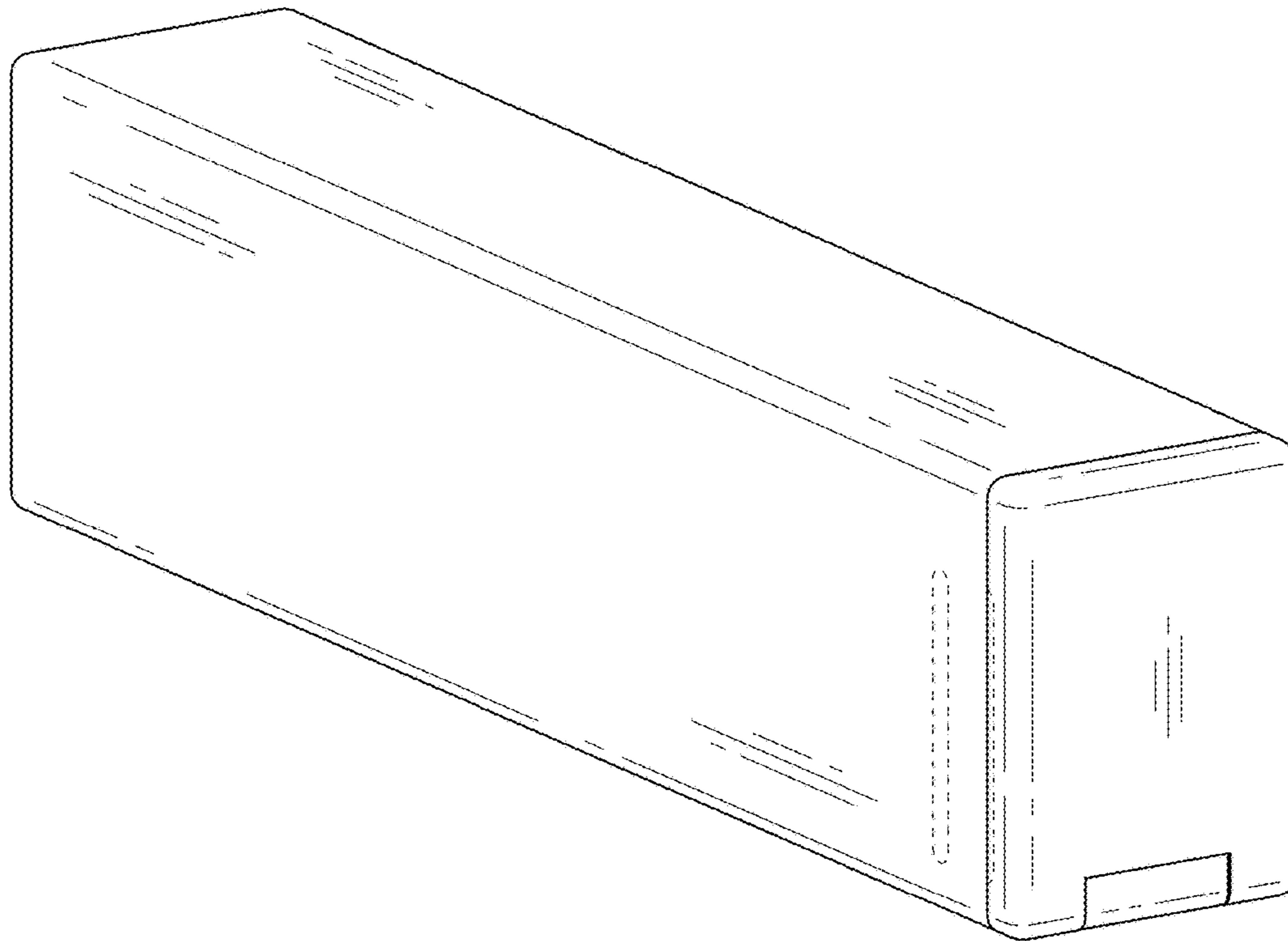


FIG. 2

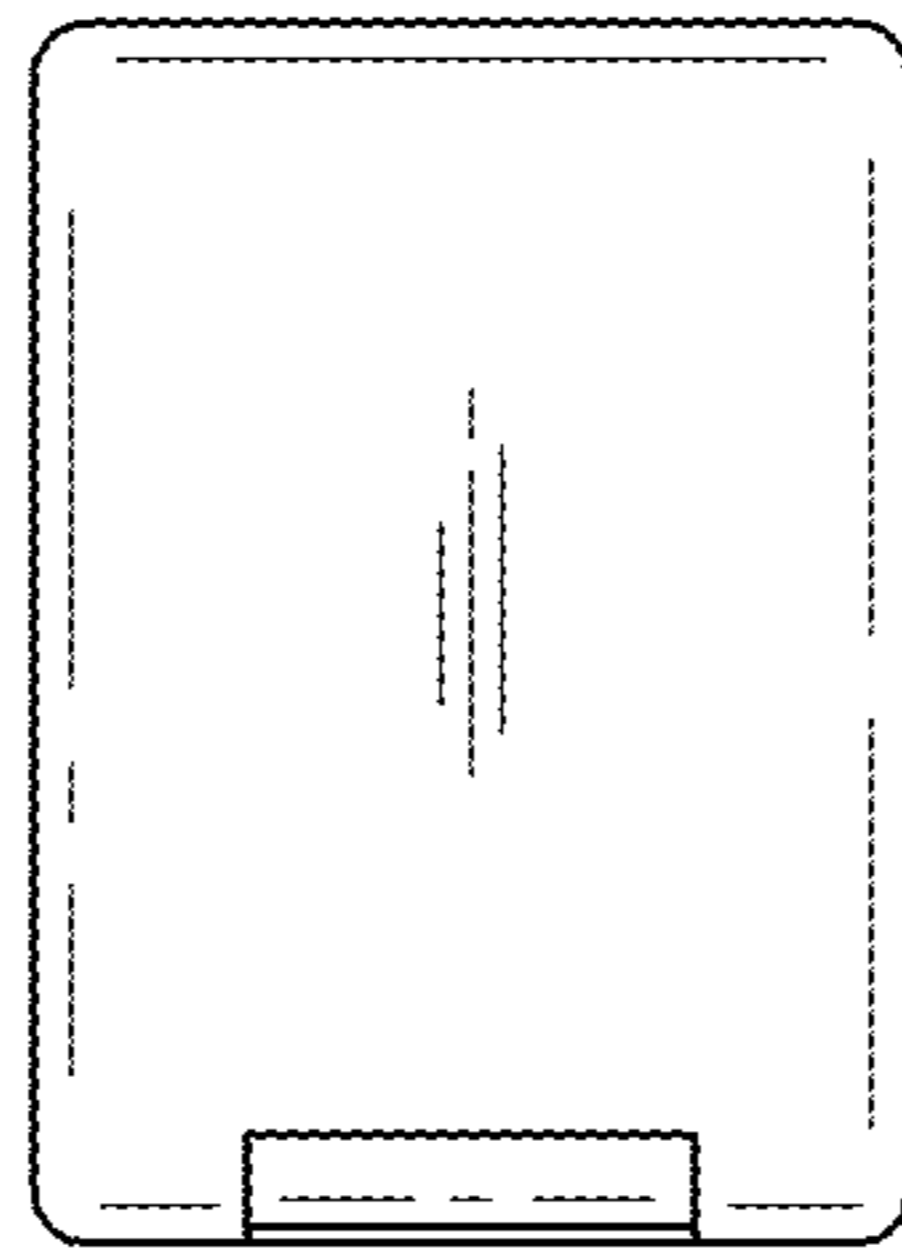


FIG. 3

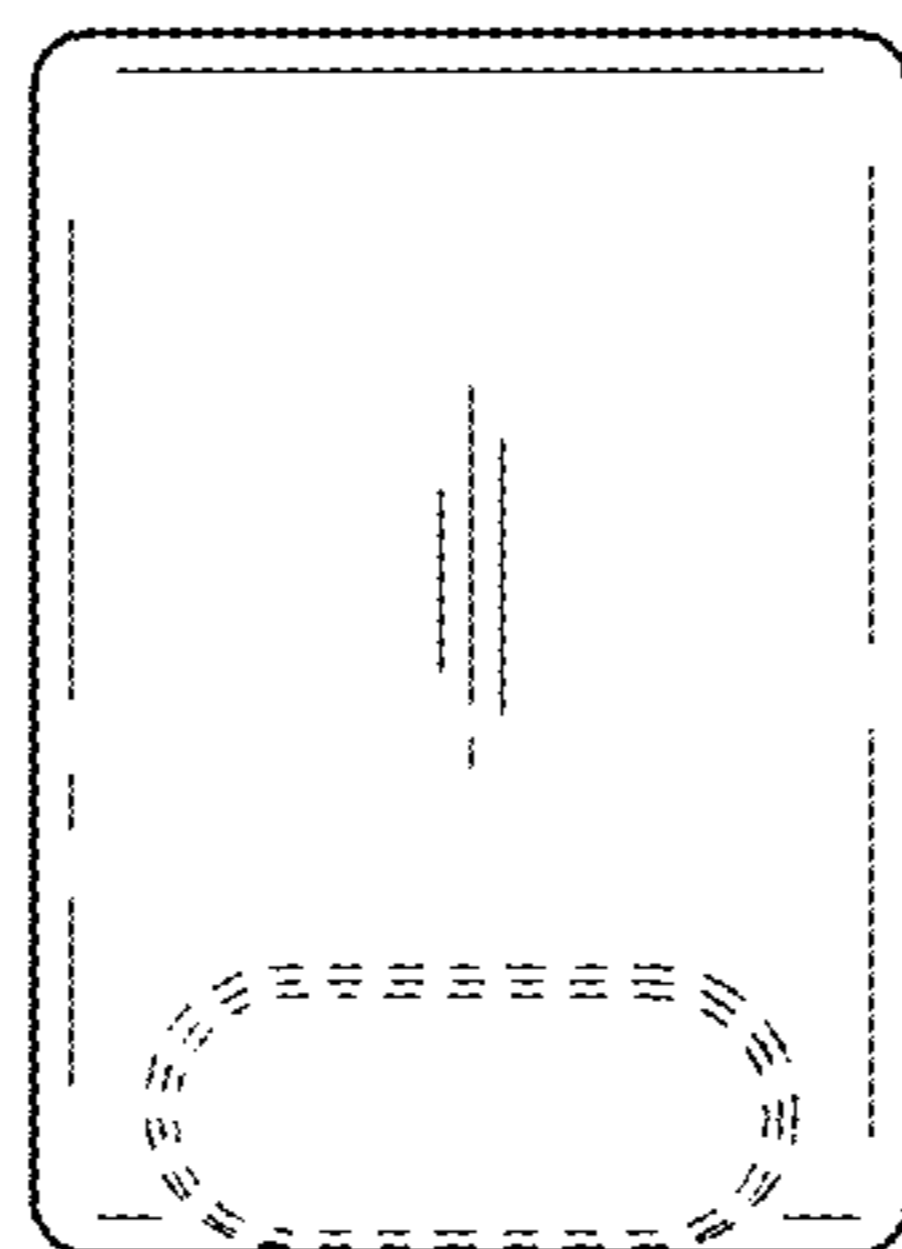


FIG. 4



FIG. 5

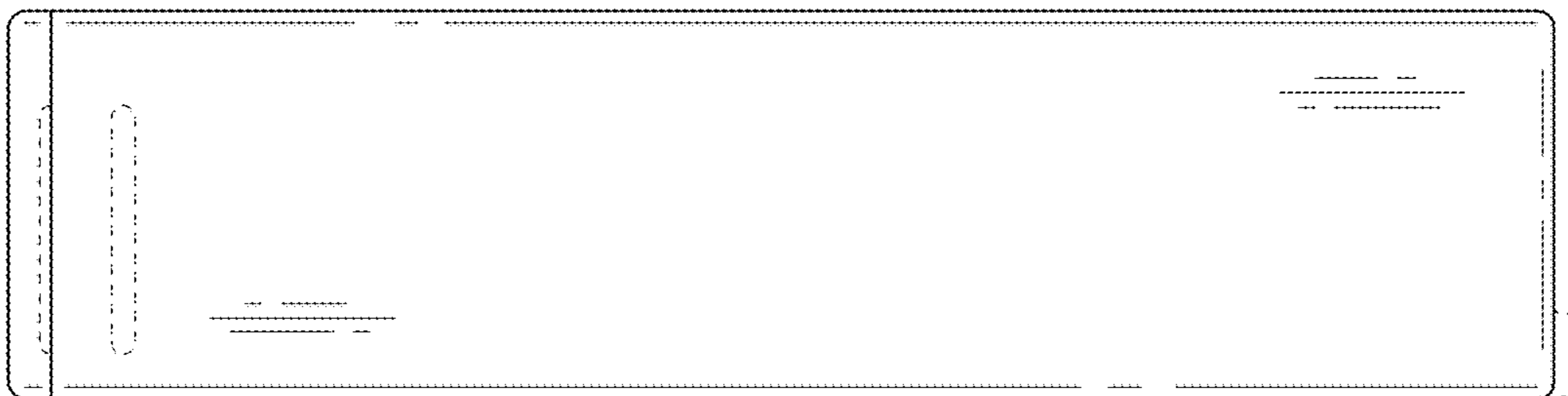


FIG. 6

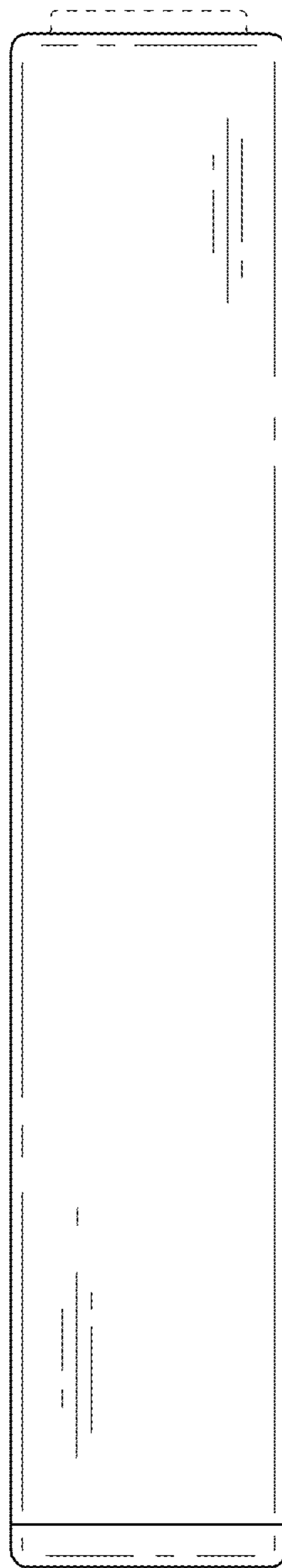


FIG. 7

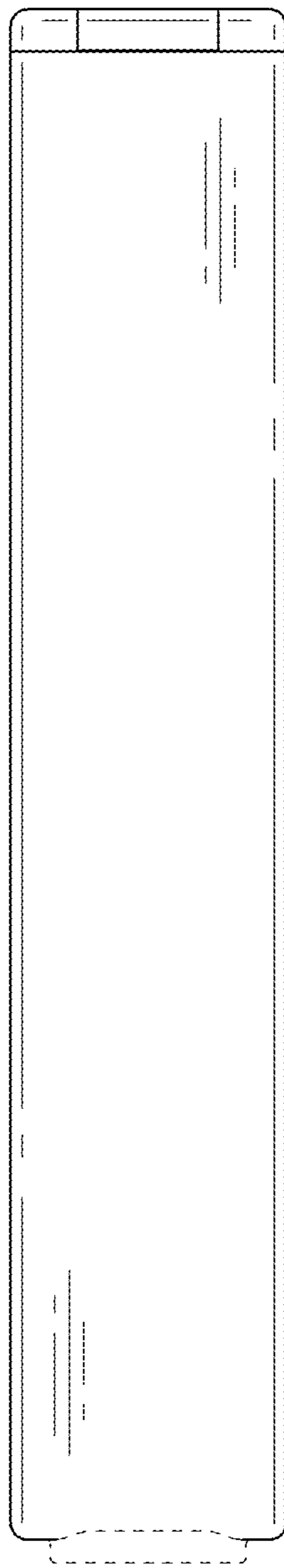


FIG. 8

