



US00D788385S

(12) **United States Design Patent**  
**Jeon et al.**

(10) **Patent No.:** **US D788,385 S**

(45) **Date of Patent:** **\*\* May 30, 2017**

(54) **WASHING MACHINE**

(71) Applicant: **LG ELECTRONICS INC.**, Seoul (KR)

(72) Inventors: **Hoil Jeon**, Seoul (KR); **Yeji Um**, Seoul (KR); **Hyerim An**, Seoul (KR); **Jaemyung Lim**, Seoul (KR); **Jaeseok Seong**, Seoul (KR)

(73) Assignee: **LG ELECTRONICS INC.**, Seoul (KR)

(\*\*) Term: **15 Years**

(21) Appl. No.: **29/551,335**

(22) Filed: **Jan. 12, 2016**

(30) **Foreign Application Priority Data**

Jul. 15, 2015 (KR) ..... 30-2015-0035693

(51) **LOC (10) Cl.** ..... **15-05**

(52) **U.S. Cl.**  
USPC ..... **D32/6**

(58) **Field of Classification Search**  
USPC ..... D32/1, 5-6, 8, 25, 28, 29  
CPC .... D06F 33/02; D06F 2204/065; D06F 25/00;  
D06F 35/006; D06F 37/28; D06F 39/14;  
D06F 58/203

See application file for complete search history.

(56) **References Cited**

**U.S. PATENT DOCUMENTS**

D654,640 S \* 2/2012 Song ..... D32/6  
8,286,364 B2 \* 10/2012 Bae ..... D06F 58/20  
134/110

D694,965 S \* 12/2013 Lee ..... D32/6  
8,607,471 B2 \* 12/2013 Bae ..... D06F 58/203  
34/427  
D697,680 S \* 1/2014 Hwang ..... D32/25  
D699,907 S \* 2/2014 Choi ..... D32/28  
D701,656 S \* 3/2014 Choi ..... D32/6  
D730,596 S \* 5/2015 Kim ..... D32/6  
D739,096 S \* 9/2015 Qin ..... D32/6  
D760,966 S \* 7/2016 Lee ..... D32/6  
D764,119 S \* 8/2016 Cho ..... D32/6  
D772,495 S \* 11/2016 Son ..... D32/6

\* cited by examiner

*Primary Examiner* — Michael A. Pratt

*Assistant Examiner* — Michelle E Wilson

(74) *Attorney, Agent, or Firm* — Dentons US LLP

(57) **CLAIM**

We claim the ornamental design for a washing machine, as shown and described.

**DESCRIPTION**

FIG. 1 is a perspective view of a washing machine showing our new design:

FIG. 2 is a front elevation view thereof;

FIG. 3 is a rear elevation view thereof;

FIG. 4 is a left-side elevation view thereof;

FIG. 5 is a right-side elevation view thereof;

FIG. 6 is a top plan view thereof;

FIG. 7 is a bottom plan view thereof; and,

FIG. 8 is a partial enlarged view of the portion shown in solid line of FIG. 1.

The broken lines in the drawing figures are included for the purpose of illustrating environment and form no part of the claimed design.

**1 Claim, 7 Drawing Sheets**

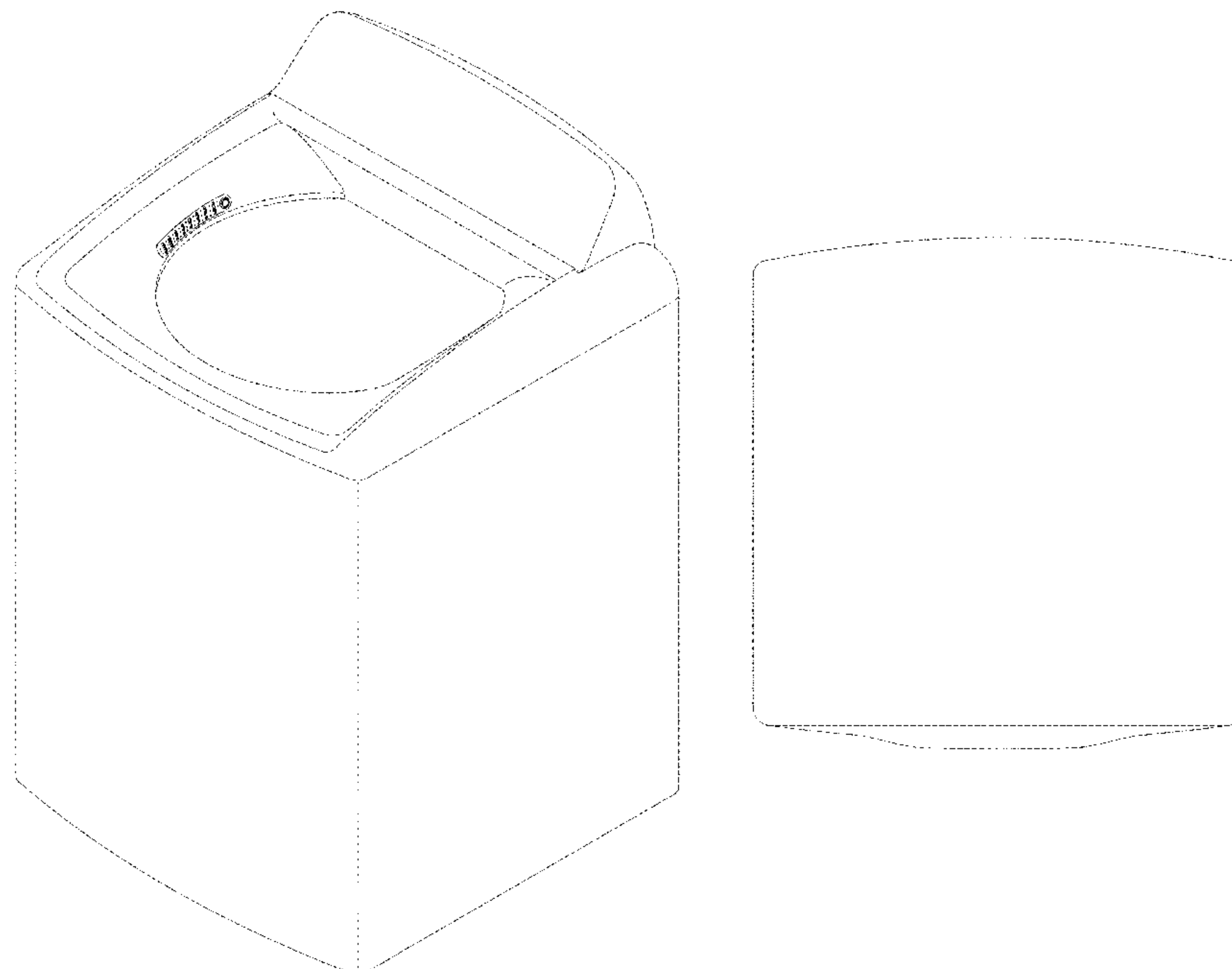


FIG. 1

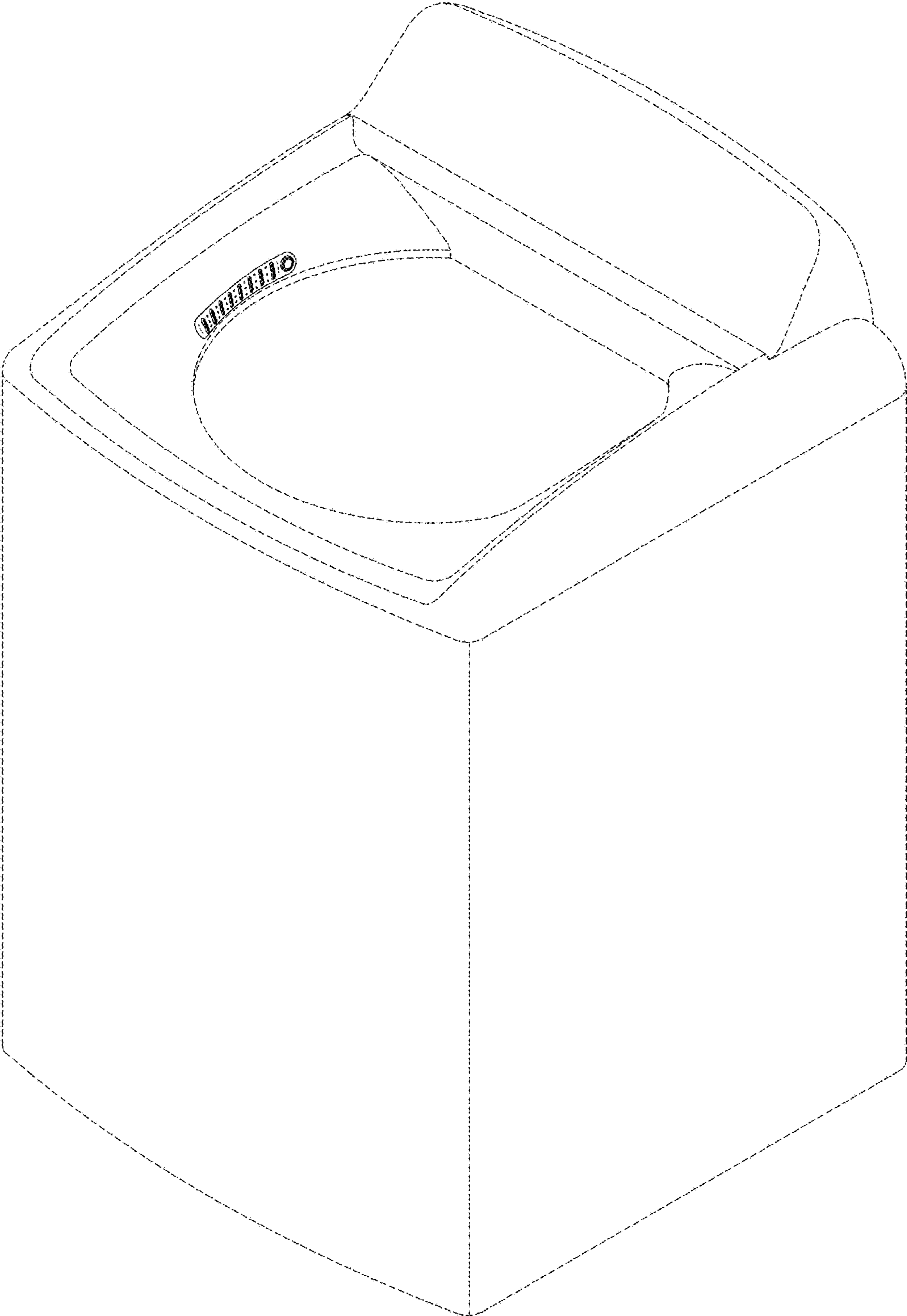


FIG. 2

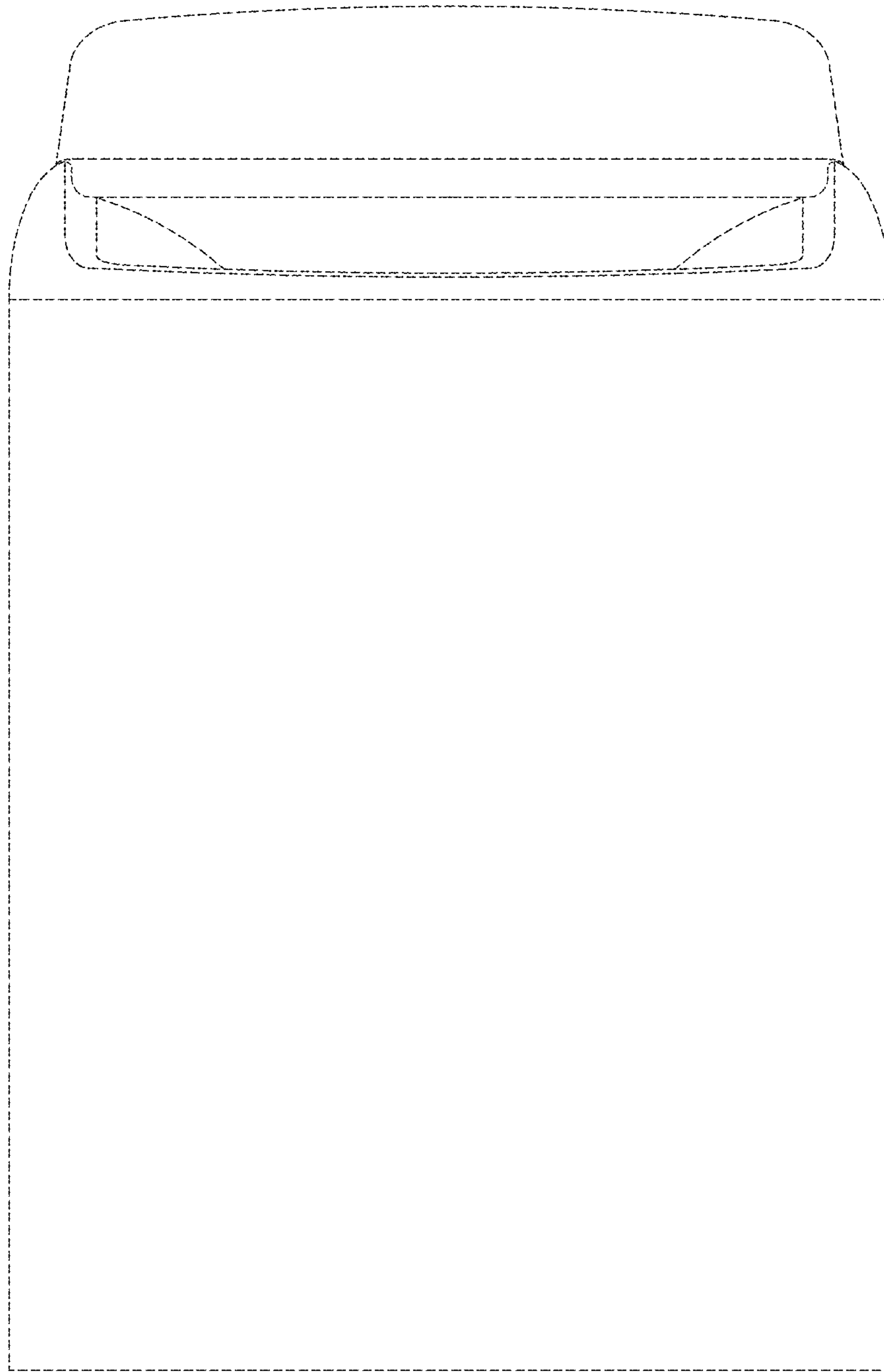


FIG. 3

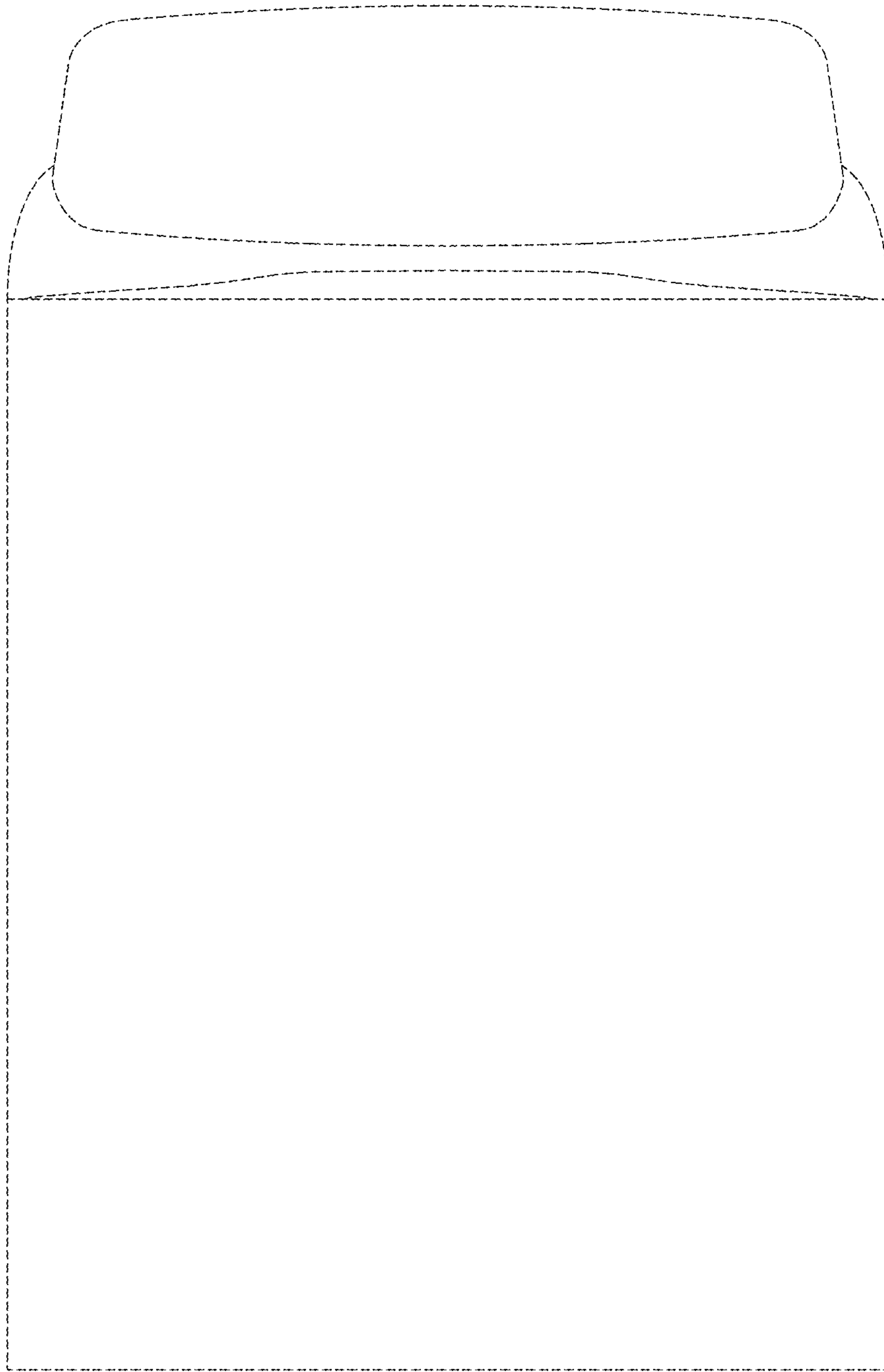


FIG. 4

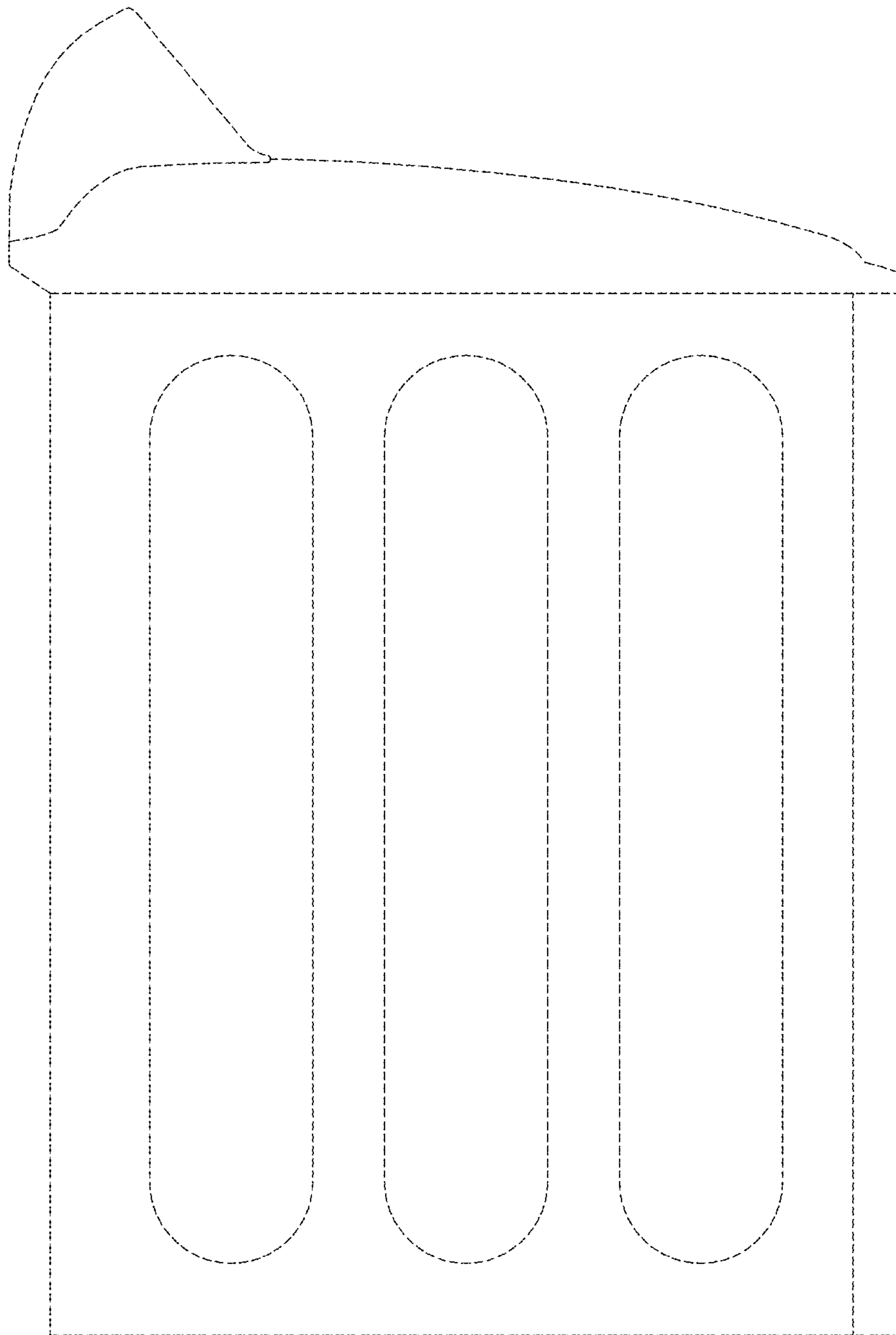


FIG. 5

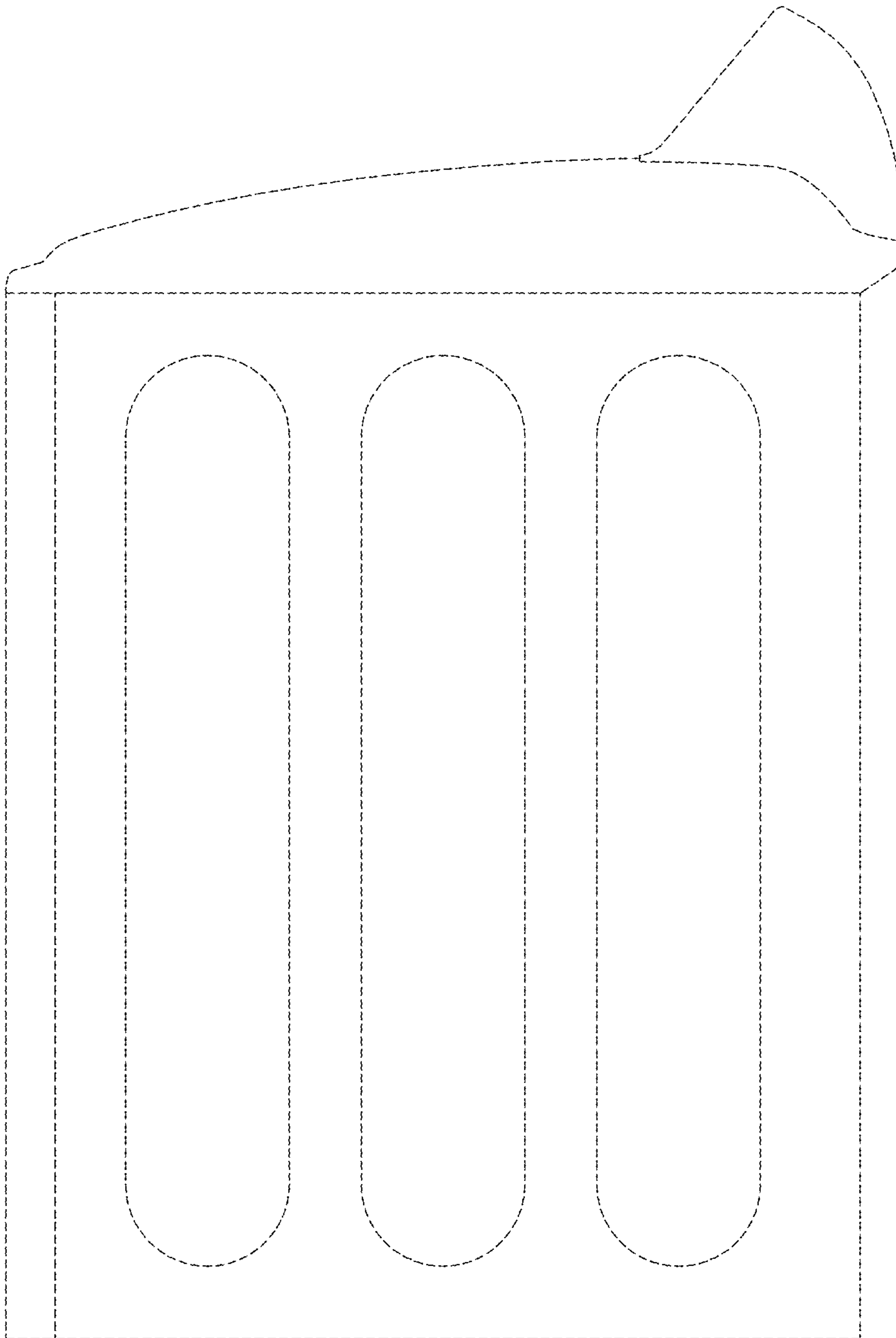


FIG.6

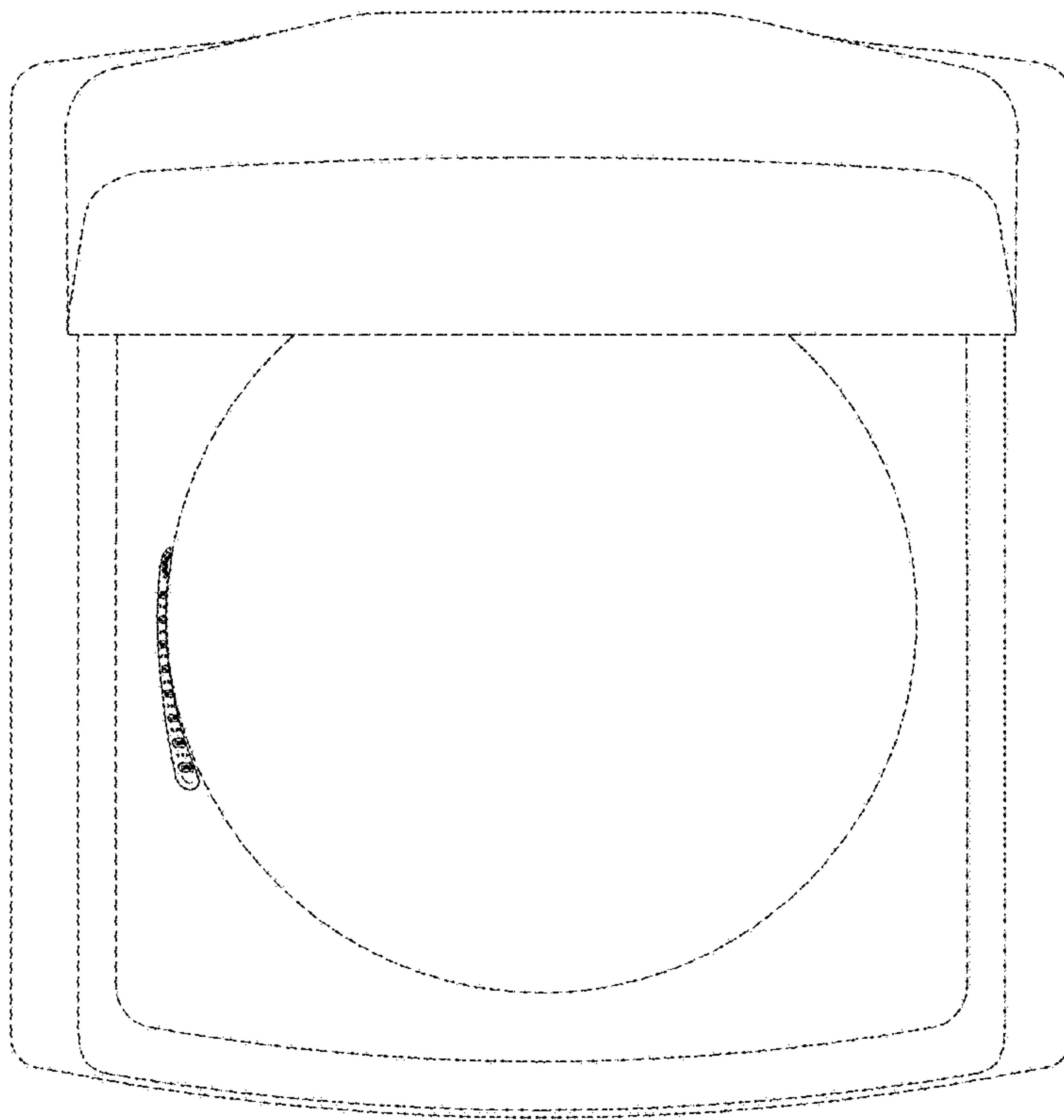


FIG.7

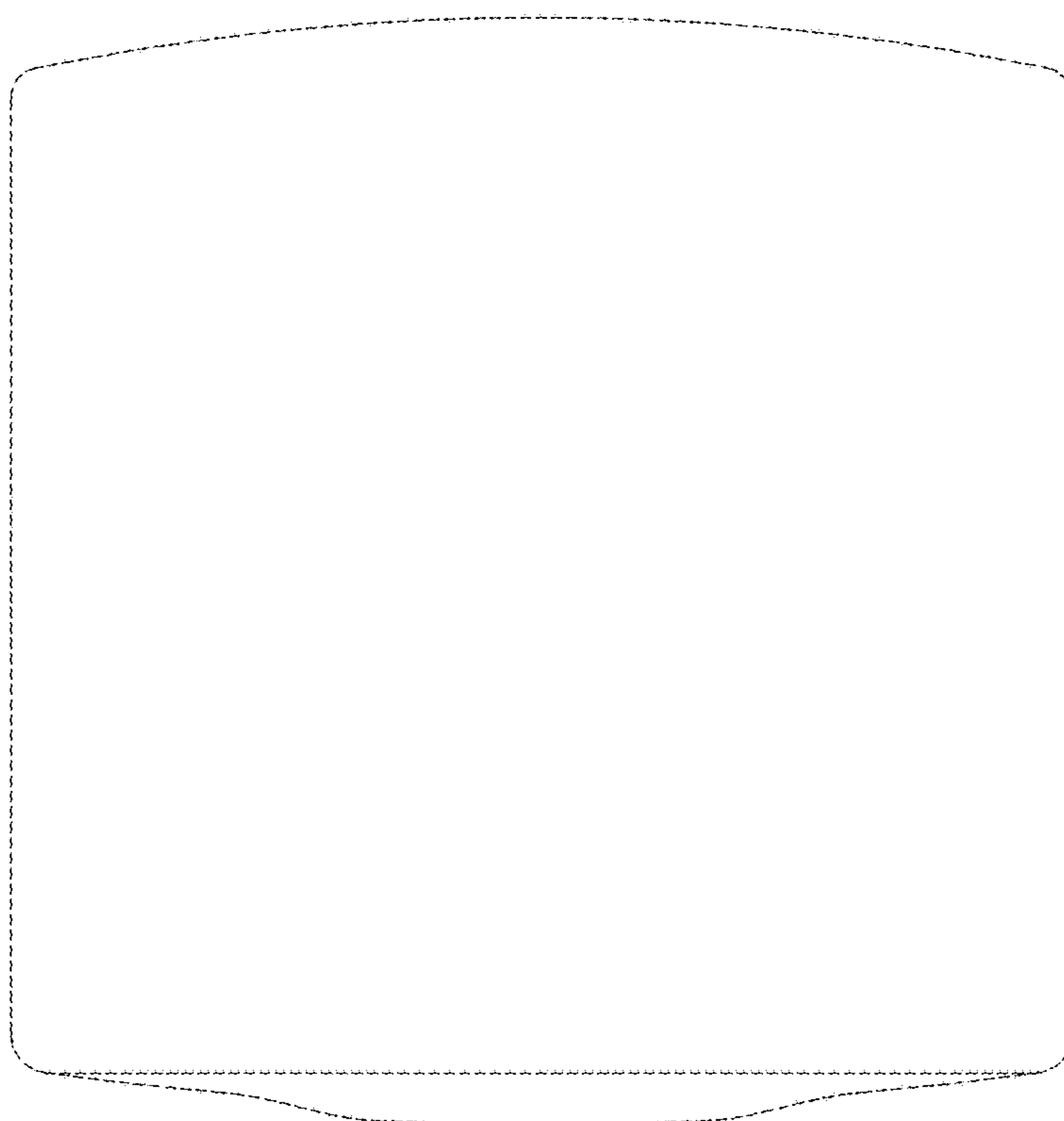


FIG. 8

