



US00D788382S

(12) **United States Design Patent** (10) **Patent No.:** **US D788,382 S**
Krueger et al. (45) **Date of Patent:** **** May 30, 2017**

(54) **HUMMINGBIRD FEEDER**

B65D 1/02; B65D 1/0223; B65D 23/00;
B65D 83/00; B65D 91/00; B65D 91/02;
B65D 2501/00; B65D 2501/0009; B65D
2501/0081

(71) Applicant: **Classic Brands, LLC**, Denver, CO
(US)

See application file for complete search history.

(72) Inventors: **Bryan Krueger**, Denver, CO (US);
Lindsey Nifong, Denver, CO (US)

(56) **References Cited**

(73) Assignee: **Classic Brands, LLC**, Denver, CO
(US)

U.S. PATENT DOCUMENTS

(**) Term: **15 Years**

35,414 A * 5/1862 Lorenz A47C 19/022
5/131
D26,065 S * 9/1896 Jenkins D9/500
(Continued)

(21) Appl. No.: **29/550,591**

(22) Filed: **Jan. 5, 2016**

OTHER PUBLICATIONS

(51) **LOC (10) Cl.** **30-03**

U.S. Appl. No. 29/550,589, filed Jan. 5, 2016, Bryan Krueger, et al.
(Continued)

(52) **U.S. Cl.**

USPC **D30/125**; D30/127

(58) **Field of Classification Search**

USPC D30/121, 124, 126–129, 133, 199,
D30/110–112, 123, 125; 119/52.2, 51.5,
119/61.5, 57.8, 57.9, 52.3, 61.1, 531, 63,
119/428–435, 52.4, 55, 61.3, 69.5, 75, 76,
119/51.01, 51.12, 51.13, 52.1, 53, 56.1,
119/57, 57.4, 57.5, 72, 72.5, 74, 81;
47/67, 83; 248/318; D11/164, 152;
211/128.1; D27/123; D6/495, 460, 461,
D6/476, 405; D9/560, 719, 733,
D9/737–752, 504, 516, 517, 529,
D9/542–548, 559, 570–575, 522, 715,
D9/763–770, 782; D7/509, 511, 558,
D7/587, 588, 300, 305, 321, 601, 602,
D7/605, 619.1, 620, 396.2, 415, 213;
220/660, 669, 675; D24/121; 206/524.6;
215/379, 381–385

CPC A01K 39/00; A01K 39/01; A01K 39/0106;
A01K 39/0113; A01K 39/012; A01K
39/0125; A01K 39/014; A01K 39/04;
A01K 39/06; A01K 31/12; A01K 31/14;
A01K 39/02; A01K 39/0206; A01K
39/022; A01K 39/024; A01K 39/026;
A01K 31/18; A01K 31/22; B65D 1/00;

Primary Examiner — Susan Moon Lee

(74) *Attorney, Agent, or Firm* — Polsinelli PC

(57) **CLAIM**

The ornamental design for a hummingbird feeder, as shown
and described.

DESCRIPTION

FIG. 1 is an isometric view of a hummingbird feeder
showing our new design.

FIG. 2 is a bottom perspective view of the hummingbird
feeder.

FIG. 3 is a first side view of the hummingbird feeder.

FIG. 4 is a second side view of the hummingbird feeder.

FIG. 5 is a front view of the hummingbird feeder.

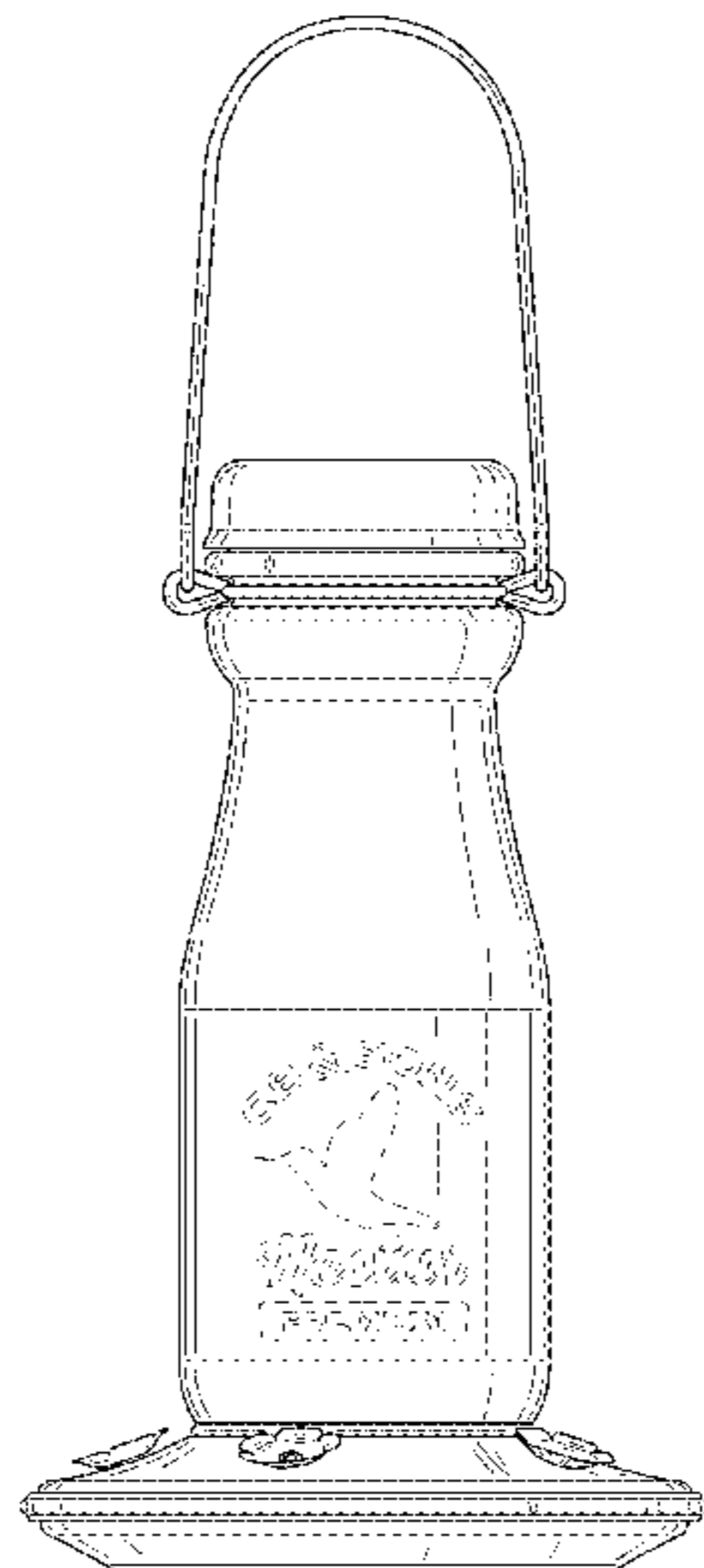
FIG. 6 is a back view of the hummingbird feeder.

FIG. 7 is a top view of the hummingbird feeder; and,

FIG. 8 is a bottom view of the hummingbird feeder.

The portions shown in broken lines are environment only
and form no part of the claimed design.

1 Claim, 8 Drawing Sheets



(56)

References Cited

U.S. PATENT DOCUMENTS

1,329,975 A * 2/1920 Kines B65D 1/04
215/6
1,332,183 A * 2/1920 Williston B65D 39/02
215/298
1,352,173 A * 9/1920 Campbell B65D 23/104
294/27.1
1,381,754 A * 6/1921 Schrader A47G 23/0241
222/131
1,504,473 A * 8/1924 Hattes B65D 1/023
215/387
1,539,201 A * 5/1925 Ottow B65D 23/108
294/31.2
1,546,159 A * 7/1925 Wippler, Sr. B65D 41/225
215/320
1,554,191 A * 9/1925 Alexander B65D 23/14
116/334
1,600,082 A * 9/1926 Walsh B65D 47/089
215/307
1,603,101 A * 10/1926 Alexander B65D 41/28
215/245
1,604,919 A * 10/1926 Kluck A47G 29/24
211/75
1,618,989 A * 3/1927 McCumpsey B65D 3/02
229/5.5
1,620,997 A * 3/1927 Chase B65D 41/22
215/40
1,639,398 A * 8/1927 Cunningham B65D 23/14
215/383
1,653,608 A * 12/1927 Allen B65D 23/14
40/310
1,654,365 A * 12/1927 Emerick B65D 39/02
215/43
1,716,236 A * 6/1929 Minyard B65D 23/104
294/145
1,718,118 A * 6/1929 Dech B65D 85/30
215/12.1
1,729,620 A * 10/1929 Lile B67B 7/12
81/3.47

1,733,807 A * 10/1929 Landes B65D 51/04
215/244
D86,037 S * 1/1932 Lloyd D9/500
D272,508 S * 2/1984 Conti D7/615
D422,915 S * 4/2000 Hestehave D9/500
D431,468 S * 10/2000 Potts D9/500
D518,380 S * 4/2006 Moran D7/510
7,827,936 B1 * 11/2010 Puckett A01K 39/012
119/52.2
D678,628 S * 3/2013 Krueger D30/127
D683,909 S * 6/2013 Muhr D30/124
D698,100 S * 1/2014 Muhr D30/124
D720,506 S * 12/2014 Bruno D30/127
D744,172 S * 11/2015 Donegan D30/127
D756,570 S * 5/2016 Donegan D30/127
2006/0124067 A1 * 6/2006 Taylor A01K 39/0113
119/72
2007/0221133 A1 * 9/2007 Richmond A01K 39/012
119/72
2008/0251025 A1 * 10/2008 Guay A01K 39/024
119/78
2009/0205572 A1 * 8/2009 Gardner A01K 1/0356
119/57.8
2010/0251967 A1 * 10/2010 Mateer A01K 39/0206
119/77
2010/0270256 A1 * 10/2010 Penny B29C 49/48
215/44
2010/0326946 A1 * 12/2010 Hanafusa B65D 1/0246
215/44
2011/0083609 A1 * 4/2011 Cote A01K 39/012
119/52.2
2011/0100299 A1 * 5/2011 Colwell A01K 31/12
119/52.2
2015/0122186 A1 * 5/2015 Donegan A01K 39/0113
119/51.5

OTHER PUBLICATIONS

U.S. Appl. No. 29/550,584, filed Jan. 5, 2016, Bryan Krueger, et al.

* cited by examiner



FIG. 1

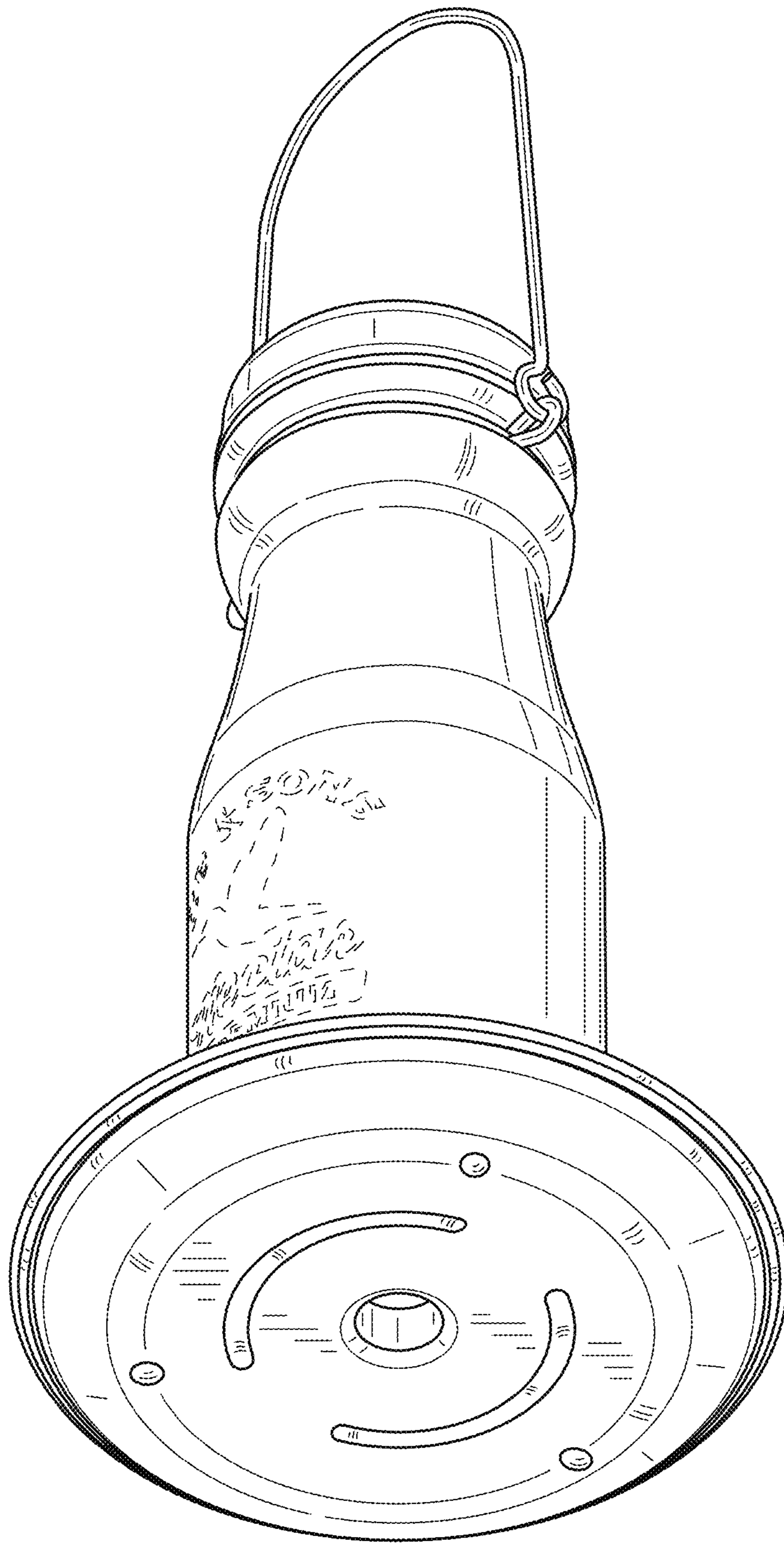


FIG.2

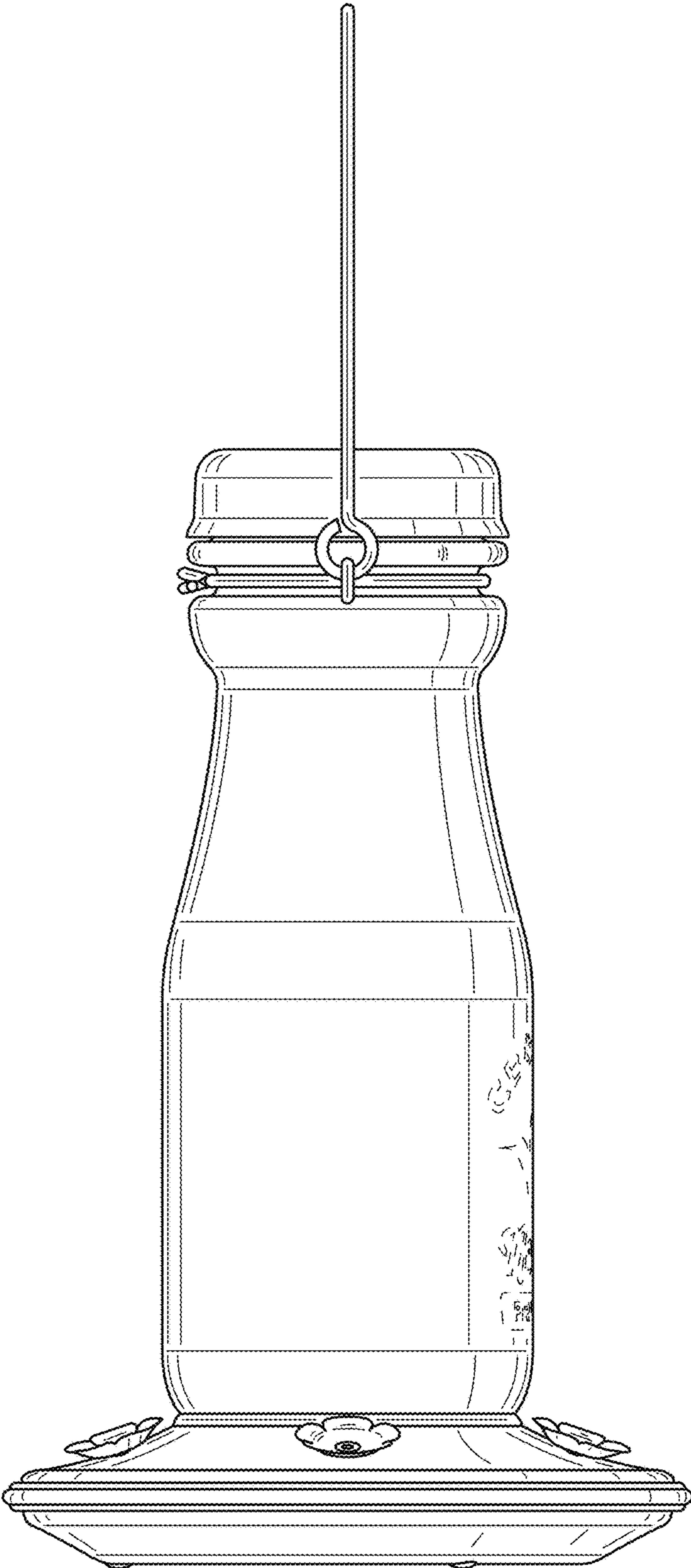


FIG.3

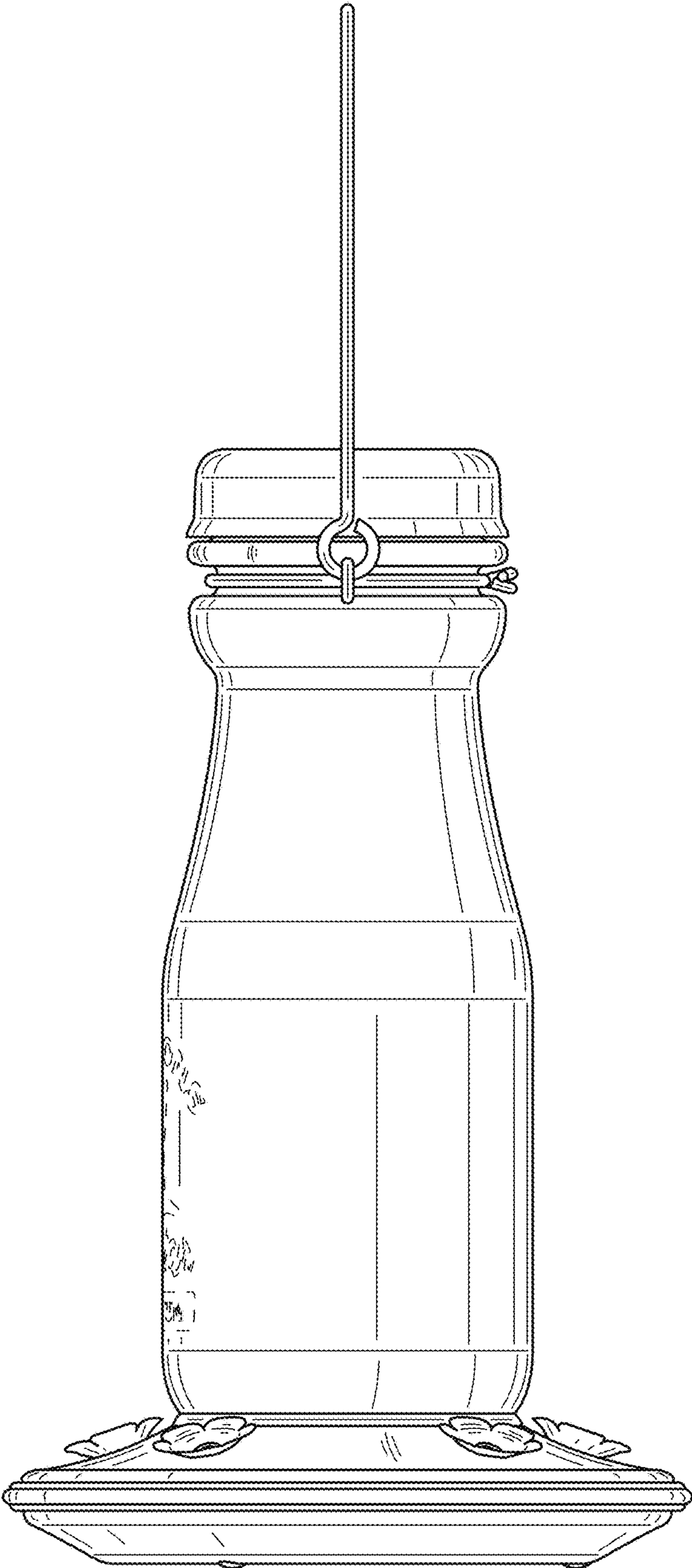


FIG.4

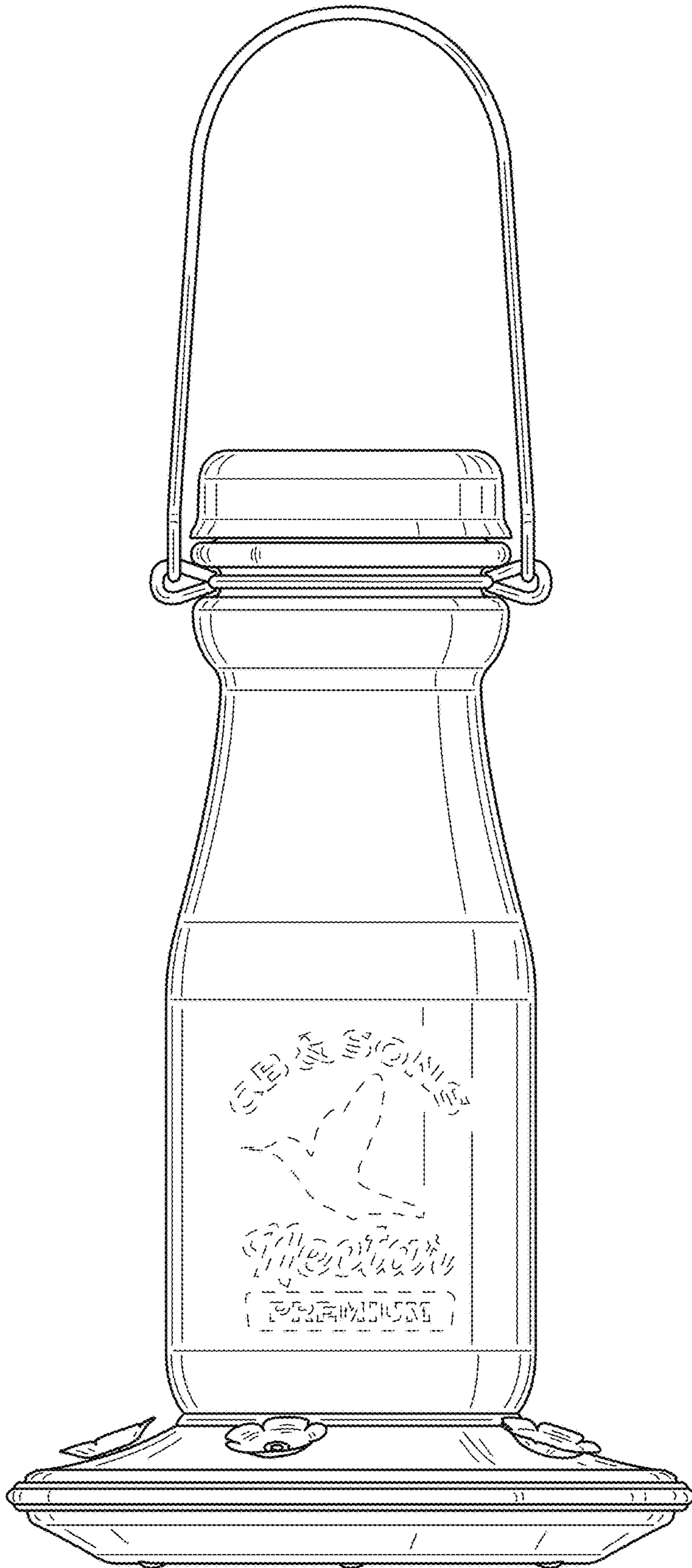


FIG. 5

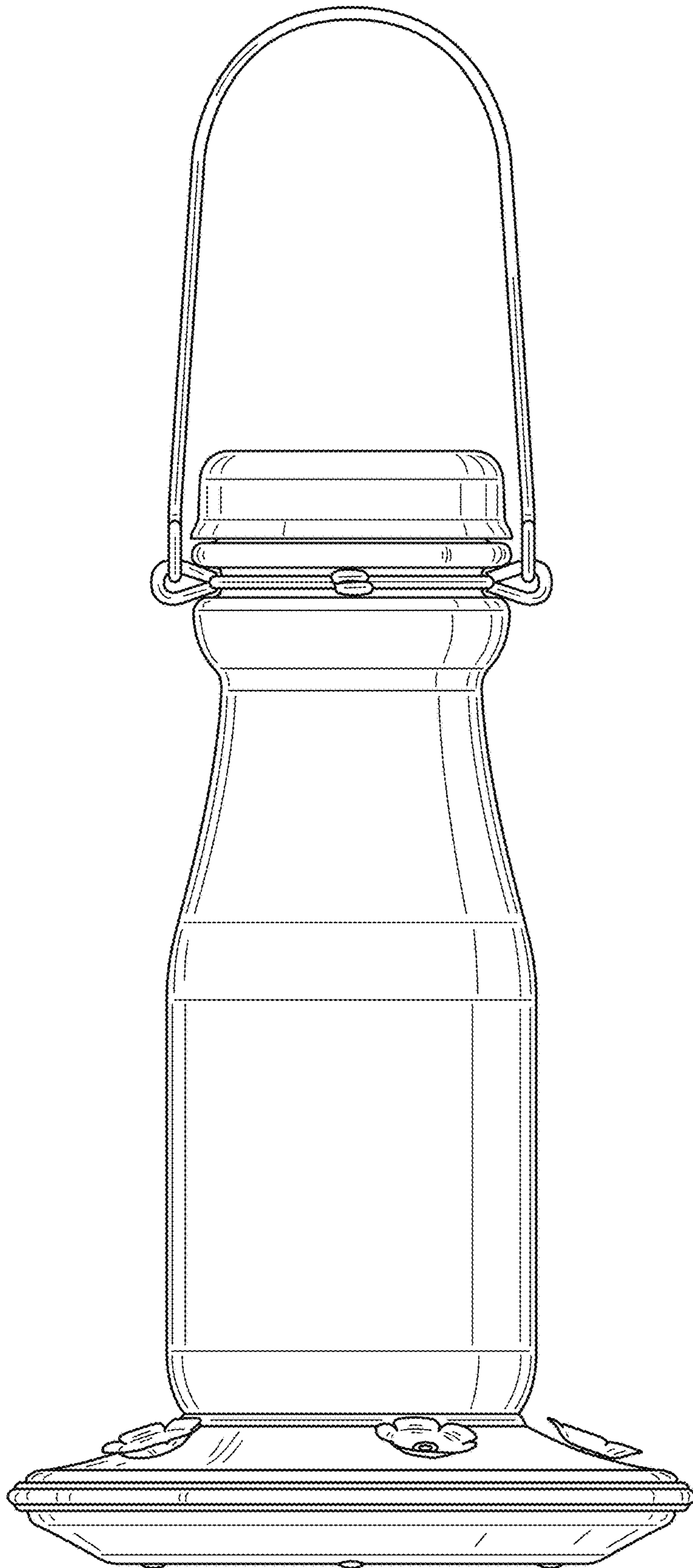


FIG. 6

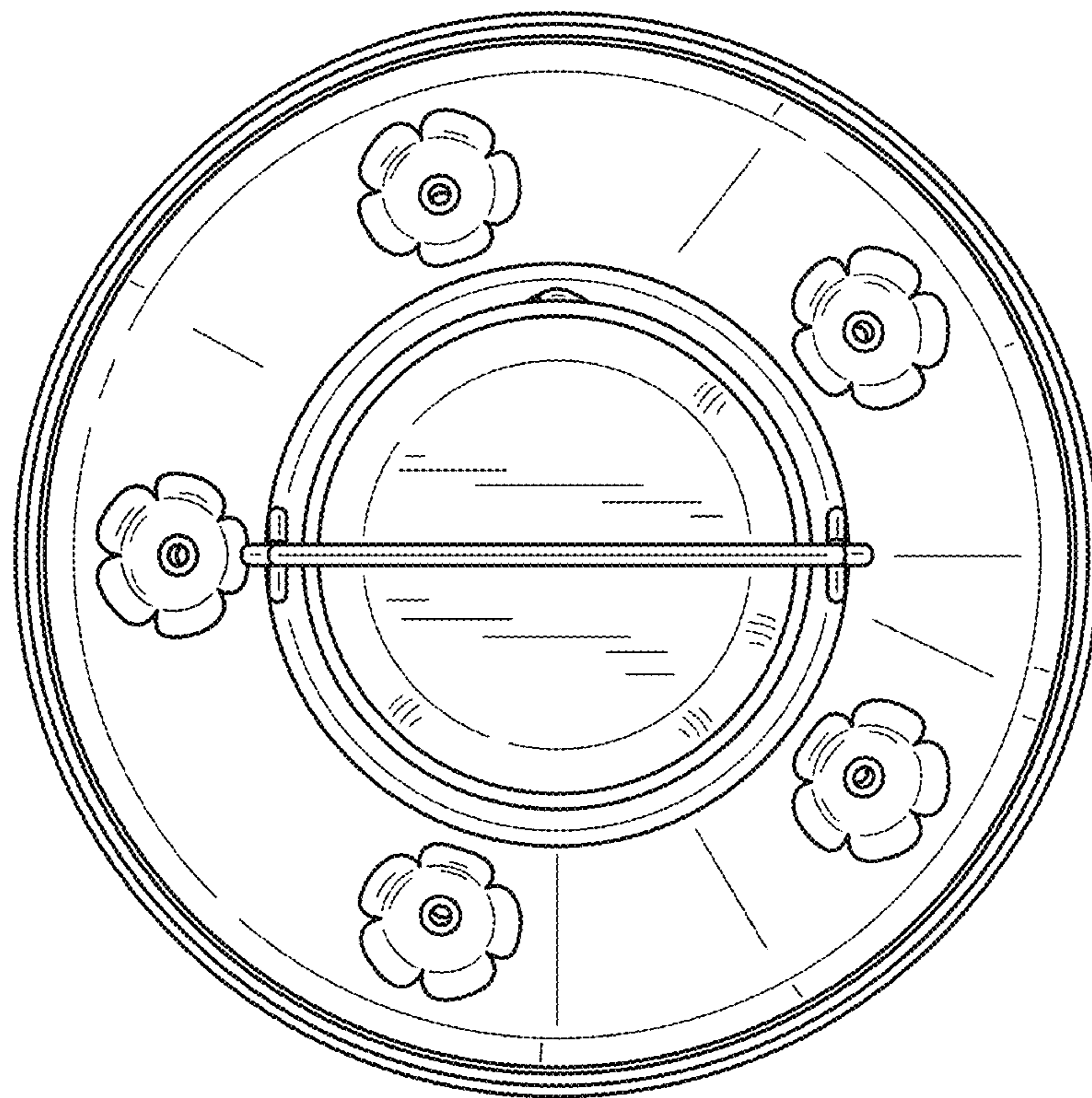


FIG. 7

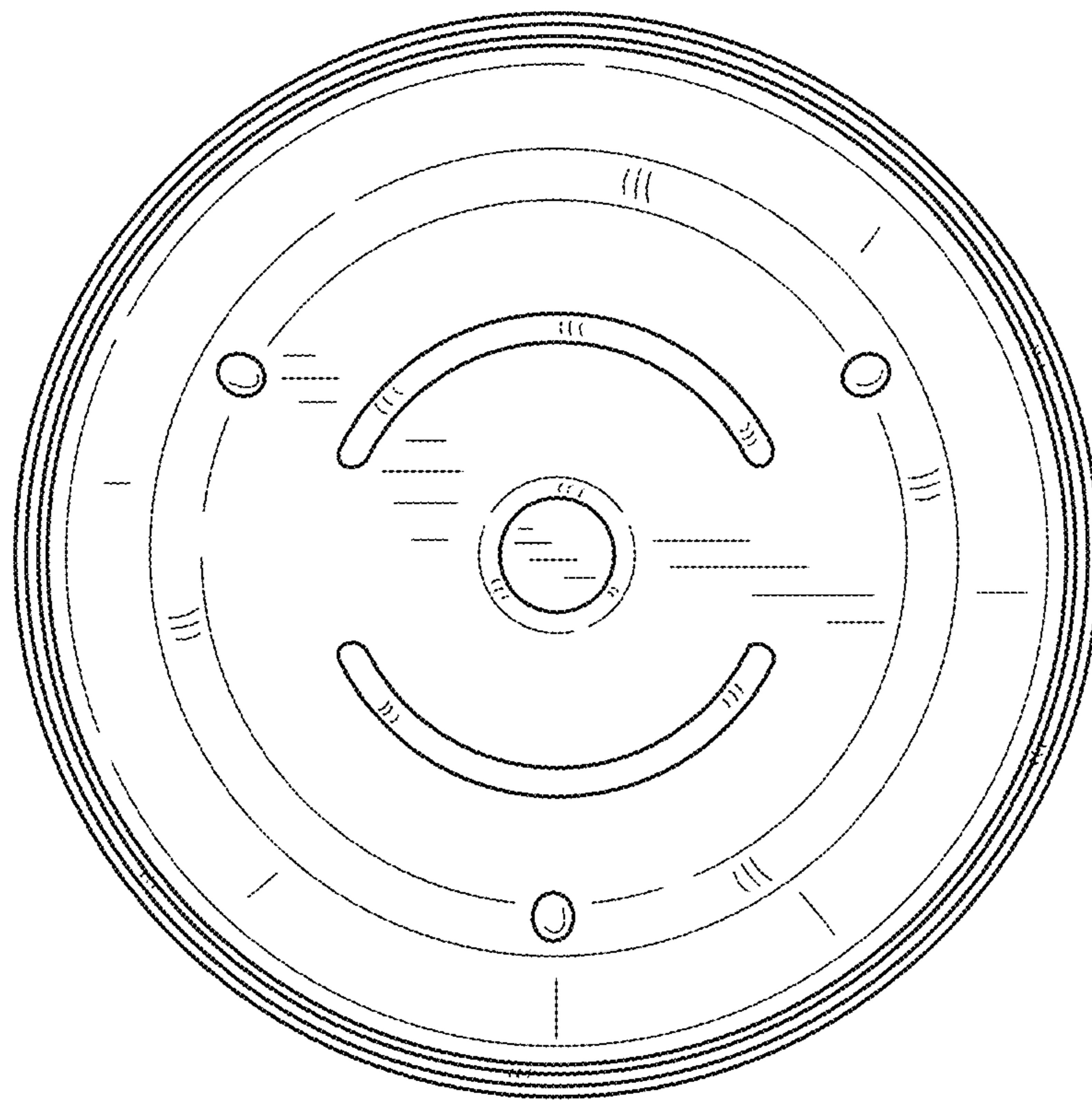


FIG.8