



US00D788379S

(12) **United States Design Patent** (10) **Patent No.:** **US D788,379 S**
Hancock et al. (45) **Date of Patent:** **** May 30, 2017**

(54) **HELMET COVER**

- (71) Applicant: **Gentex Corporation**, Simpson, PA (US)
- (72) Inventors: **Emily Rose Hancock**, Arlington, MA (US); **Matthew Anthony Hanudel**, Waltham, MA (US)
- (73) Assignee: **GENTEX CORPORATION**, Simpson, PA (US)
- (**) Term: **15 Years**
- (21) Appl. No.: **29/581,593**
- (22) Filed: **Oct. 20, 2016**

Related U.S. Application Data

- (62) Division of application No. 29/534,965, filed on Aug. 3, 2015, now Pat. No. Des. 774,704.
- (51) **LOC (10) Cl.** **29-03**
- (52) **U.S. Cl.**
USPC **D29/122**
- (58) **Field of Classification Search**
USPC D29/102-107, 122; D2/865-867, D2/878-880
CPC A42B 3/003; A42B 3/04; A42B 3/0406; F41H 1/04; F41H 3/02
See application file for complete search history.

(56) **References Cited**

U.S. PATENT DOCUMENTS

- D320,477 S * 10/1991 Hassfuther D29/107
- 5,638,544 A * 6/1997 Sump A42B 3/003
2/422
- D638,169 S * 5/2011 Lebel D29/107
- D750,846 S * 3/2016 Noordzij D29/122
- D750,847 S * 3/2016 Noordzij D29/122
- 2008/0092278 A1 * 4/2008 Rogers A42B 3/166
2/422
- 2015/0089726 A1 * 4/2015 Long A42B 3/003
2/422

(Continued)

OTHER PUBLICATIONS

Ops-Core 2013 Product Catalog; www.ops-core.com; Boston, MA, US; pp. 1-44; first disclosed on Jan. 14, 2013.
(Continued)

Primary Examiner — Robert Delehanty
(74) *Attorney, Agent, or Firm* — Morgan, Lewis & Bockius LLP

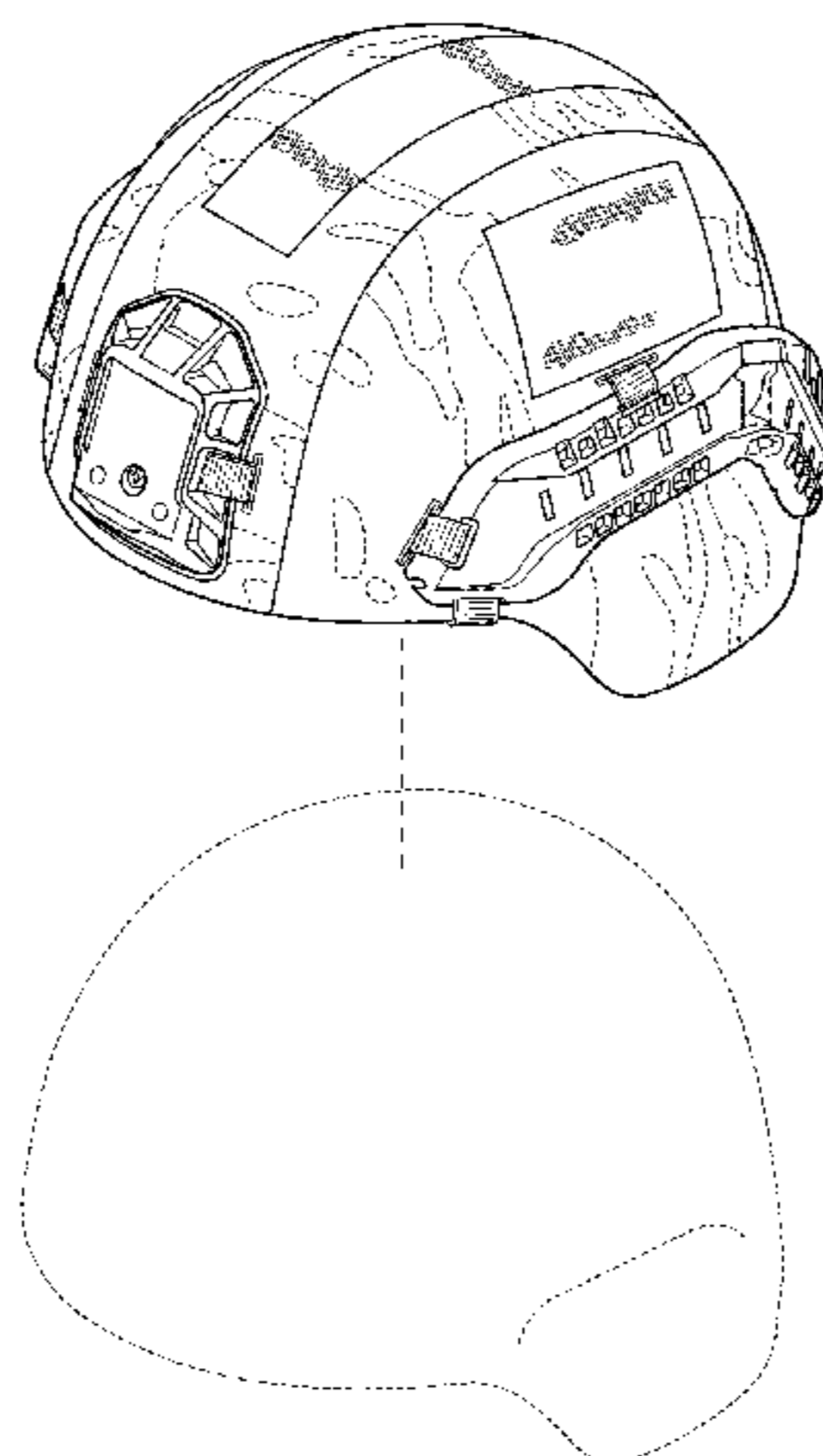
(57) **CLAIM**

The ornamental design for a helmet cover, as shown and described.

DESCRIPTION

FIG. 1 is a front, top, left perspective view of a helmet cover showing our new design;
 FIG. 2 is a front, top, left perspective view of the helmet cover shown in FIG. 1;
 FIG. 3 is a rear, top, left perspective view of the helmet cover shown in FIG. 1;
 FIG. 4 front elevational view of the helmet cover shown in FIG. 1;
 FIG. 5 is a left-side elevational view of the helmet cover shown in FIG. 1;
 FIG. 6 is a right-side elevational view of the helmet cover shown in FIG. 1;
 FIG. 7 is a rear elevational view of the helmet cover shown in FIG. 1;
 FIG. 8 is a top plan view of the helmet cover shown in FIG. 1; and,
 FIG. 9 is a bottom plan view of the helmet cover shown in FIG. 1.
 The broken lines shown in the drawings represent portions of the helmet cover that form no part of the claimed design.

1 Claim, 7 Drawing Sheets



(56)

References Cited

U.S. PATENT DOCUMENTS

2015/0245682 A1* 9/2015 McGinn A42B 3/221
2/422
2016/0088891 A1* 3/2016 Walsh A42B 3/04
2/421

OTHER PUBLICATIONS

Ops-Core 2014 Product Catalog; www.ops-core.com; Boston, MA,
US; pp. 1-25; first disclosed on Jan. 13, 2014.
Ops-Core 2014 Product Catalog; www.ops-core.com; Boston, MA,
US; pp. 26-52; first disclosed on Jan. 13, 2014.
Ops-Core 2015 Product Catalog; www.ops-core.com; Boston, MA,
US; pp. 1-25; first disclosed on Jan. 12, 2015.
Ops-Core 2015 Product Catalog; www.ops-core.com; Boston, MA,
US; pp. 26-52; first disclosed on Jan. 12, 2015.

* cited by examiner

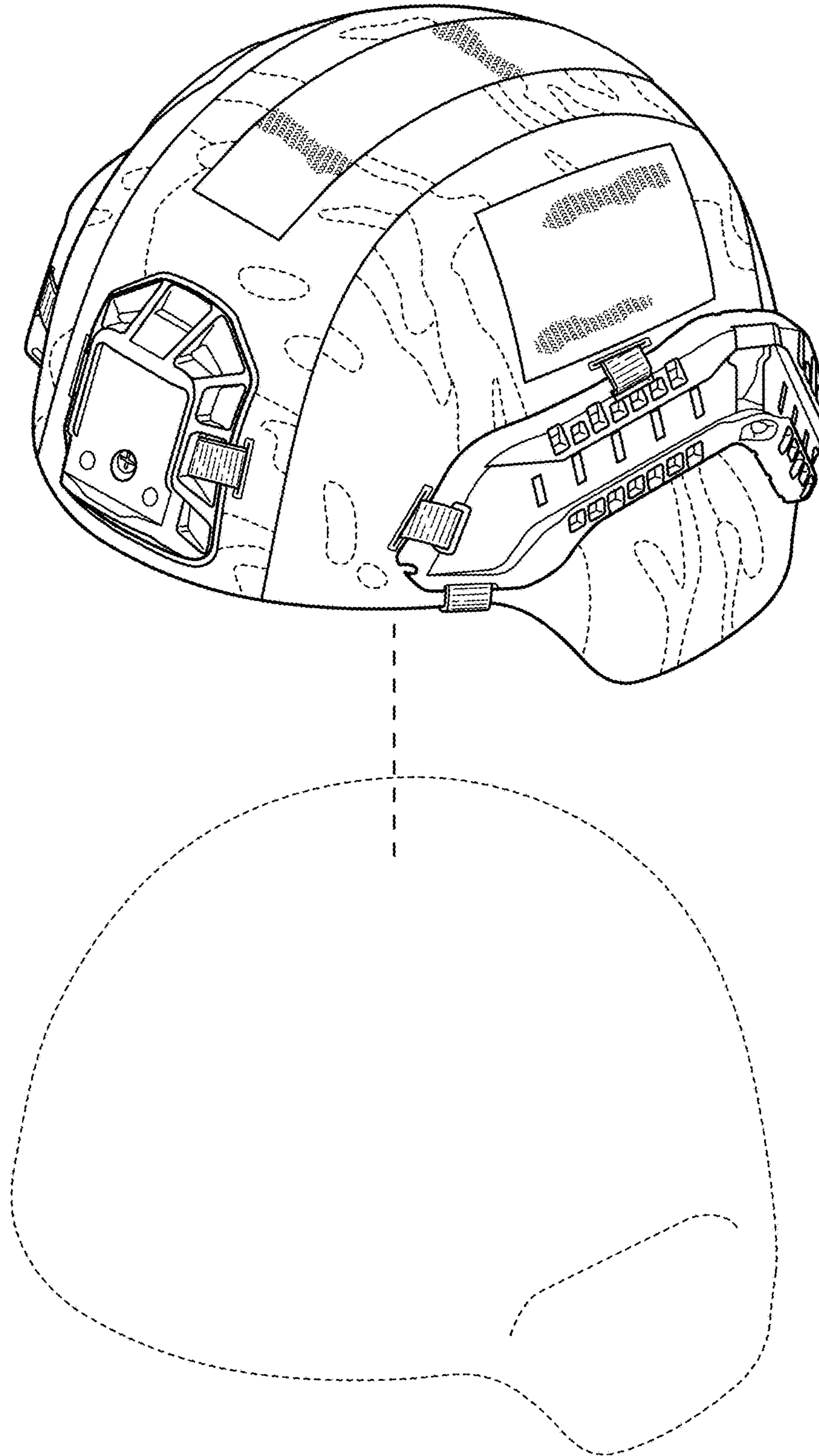


FIG. 1

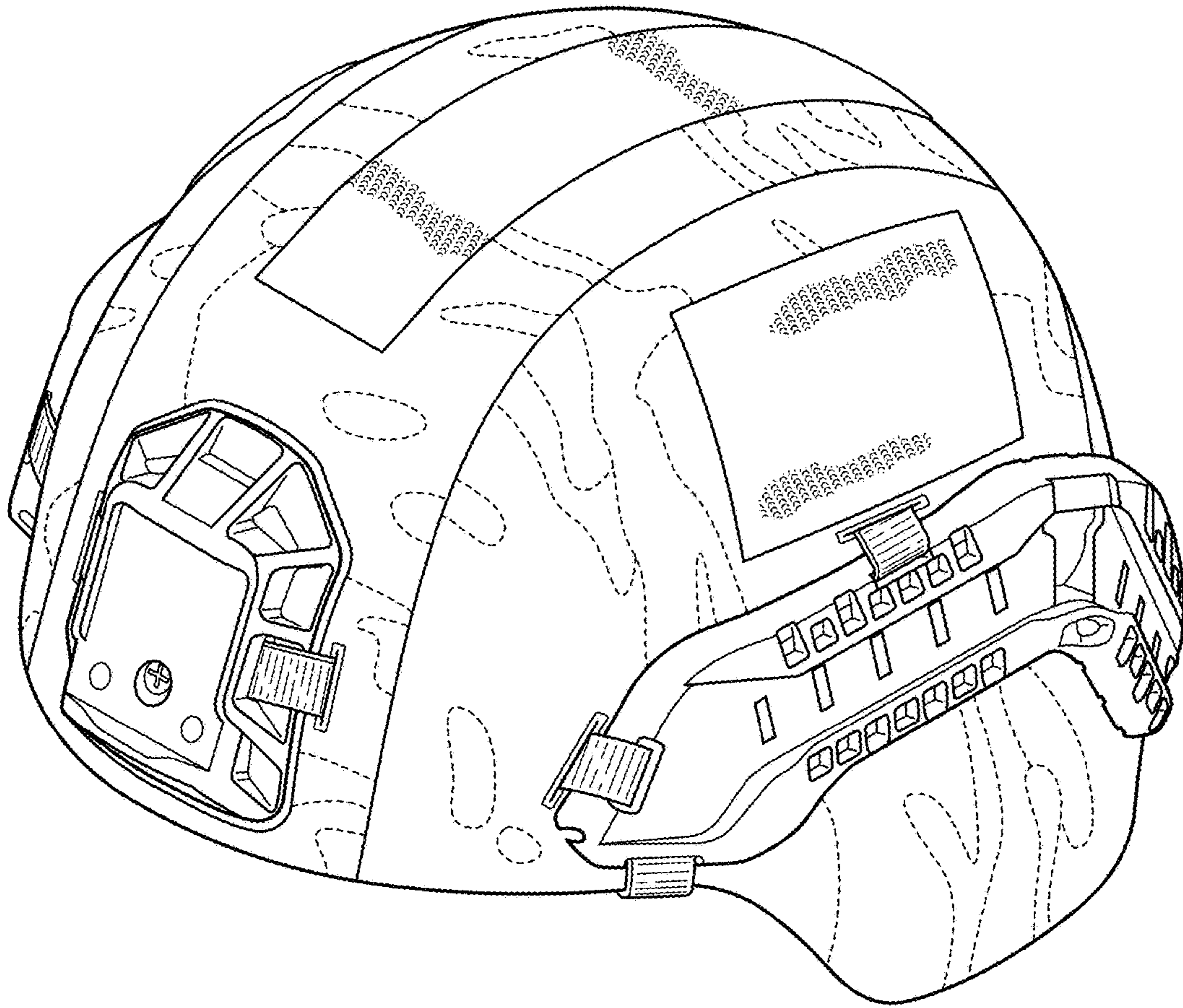


FIG. 2

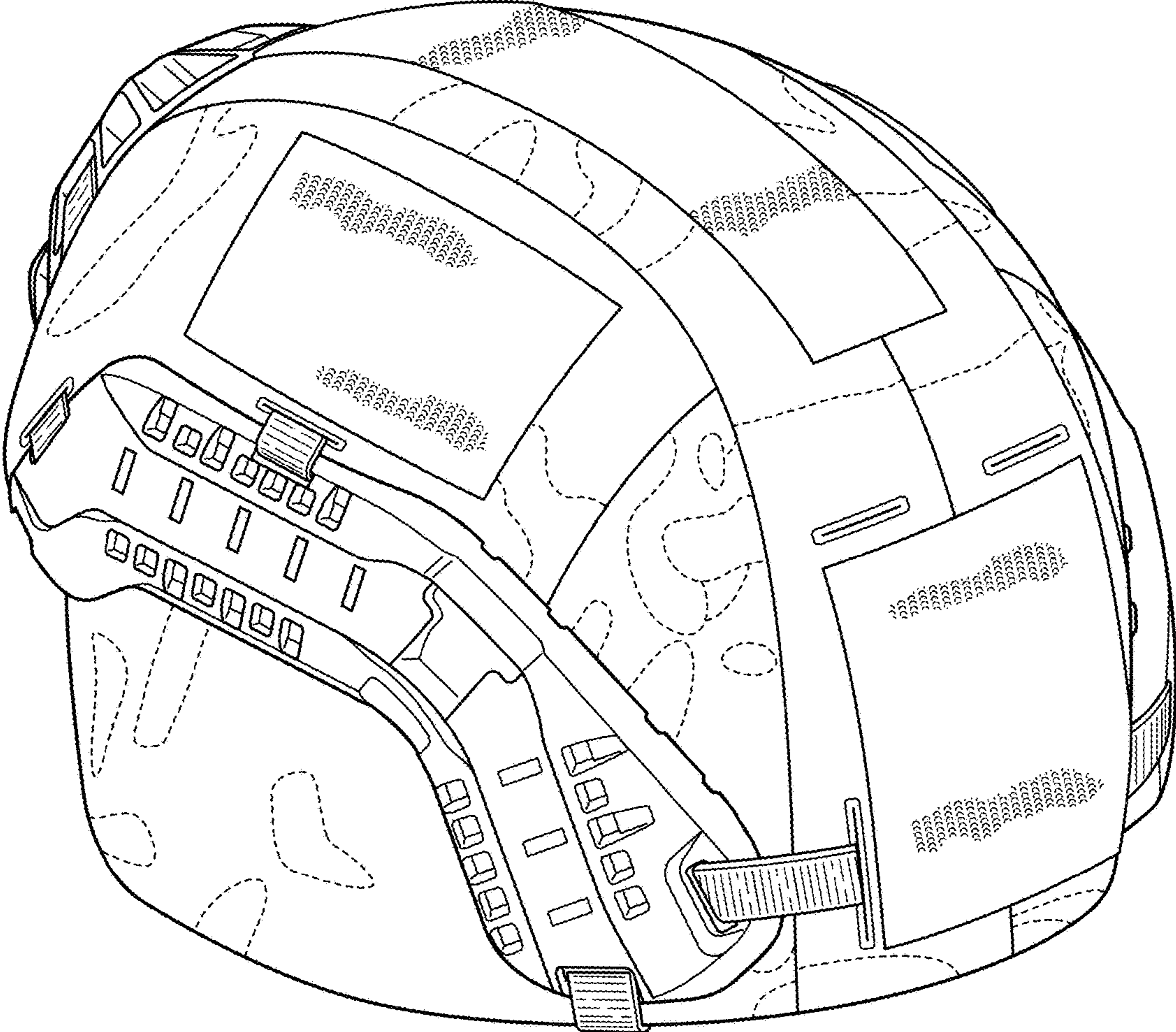


FIG. 3

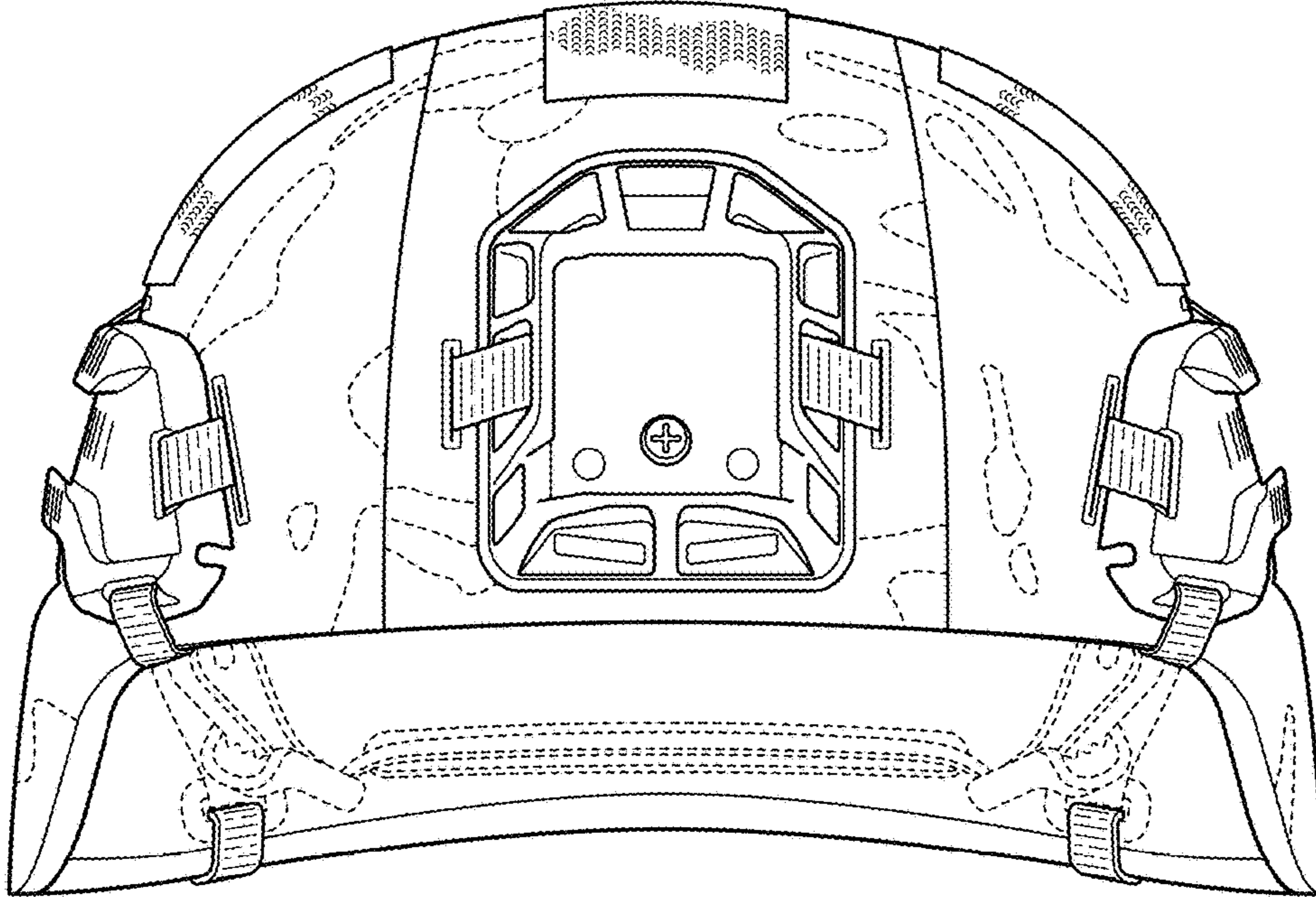


FIG. 4

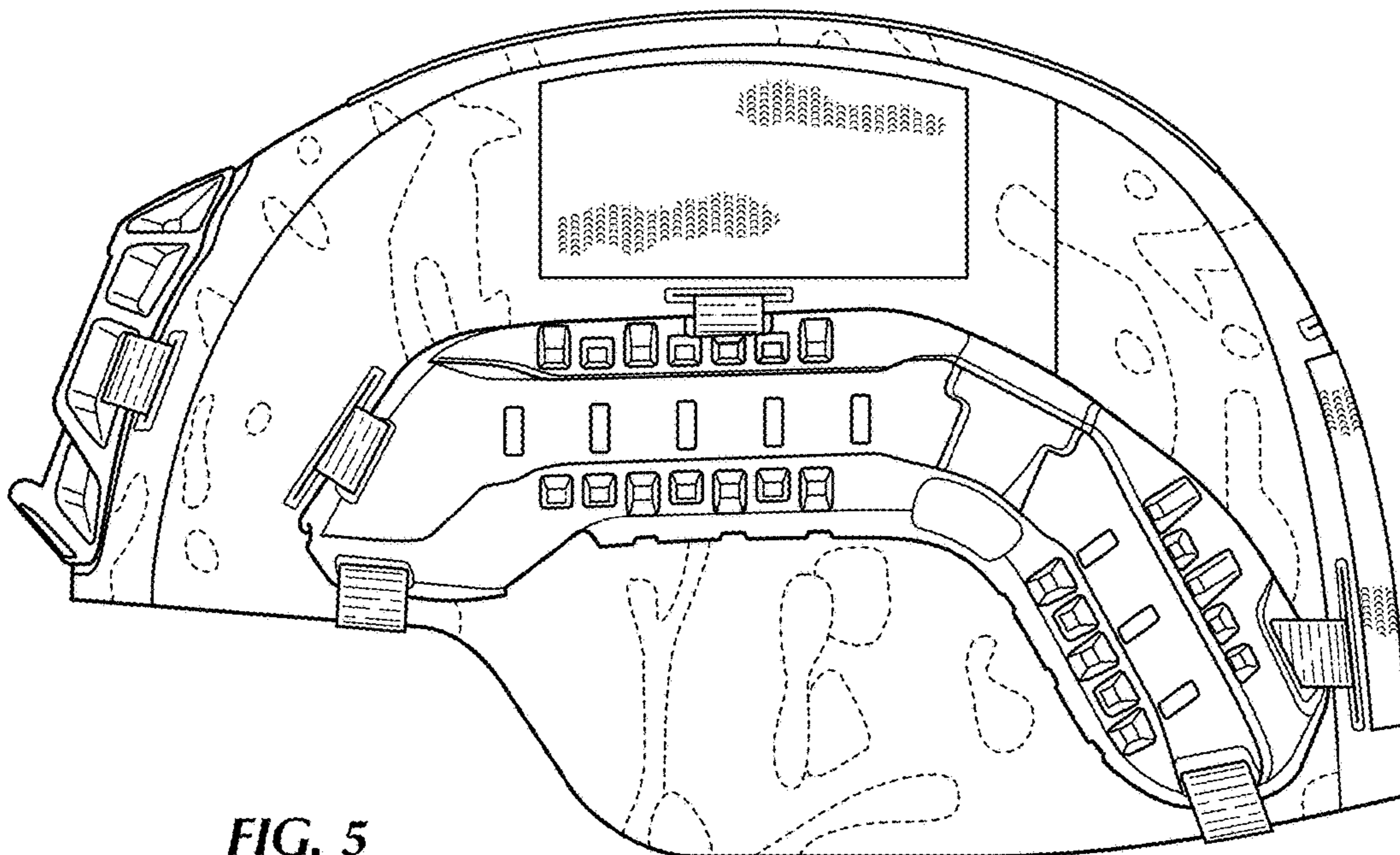


FIG. 5

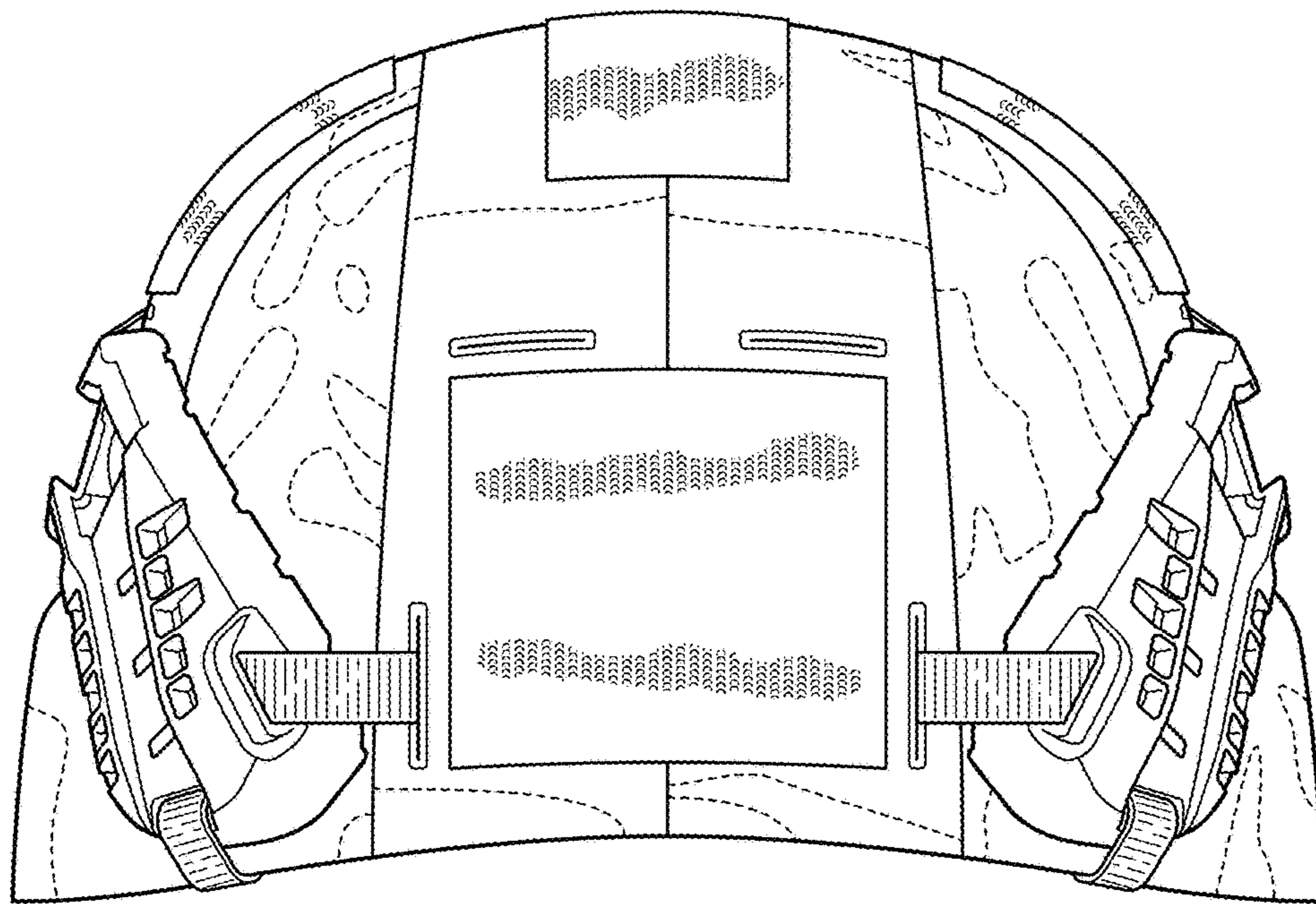
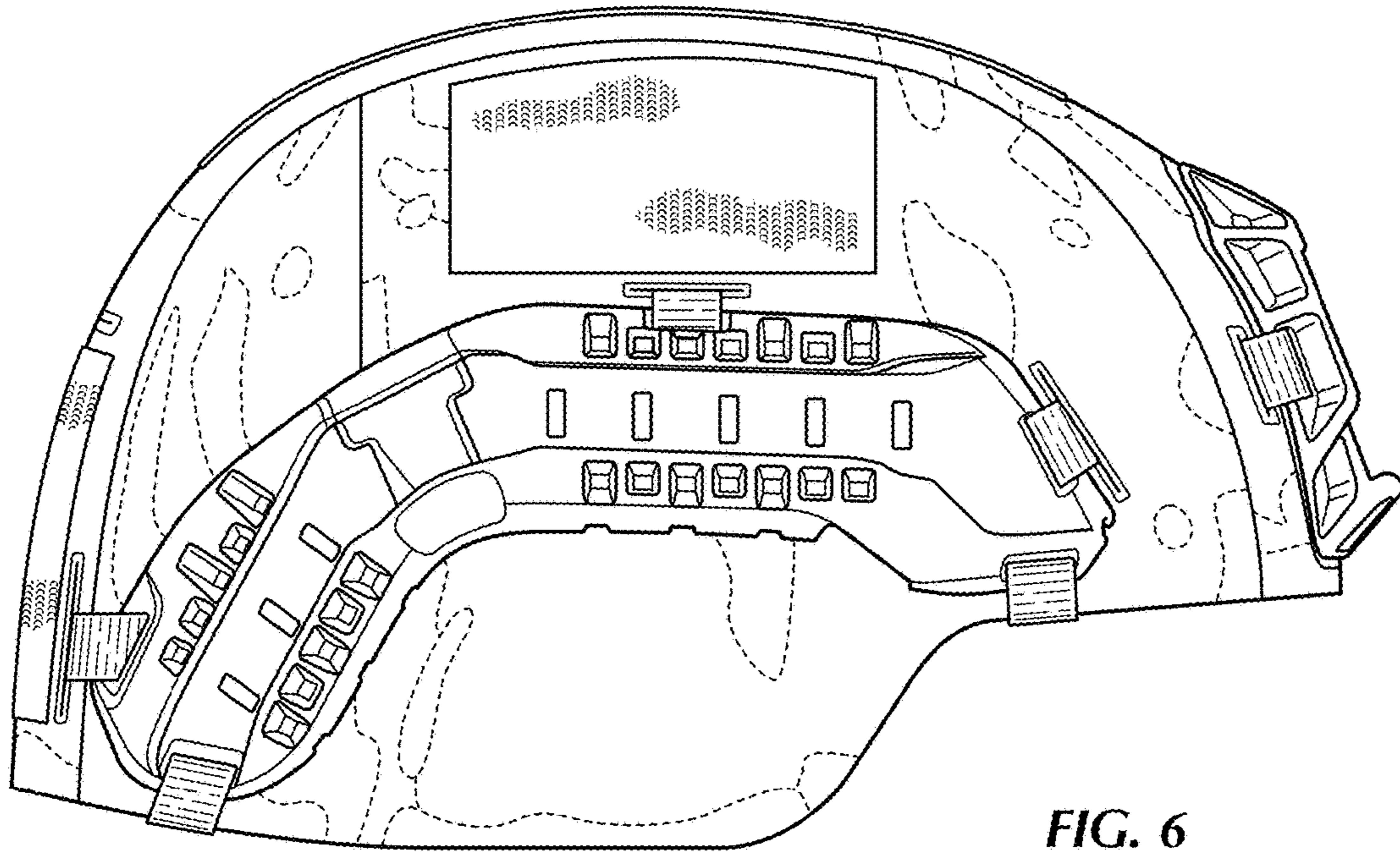


FIG. 7

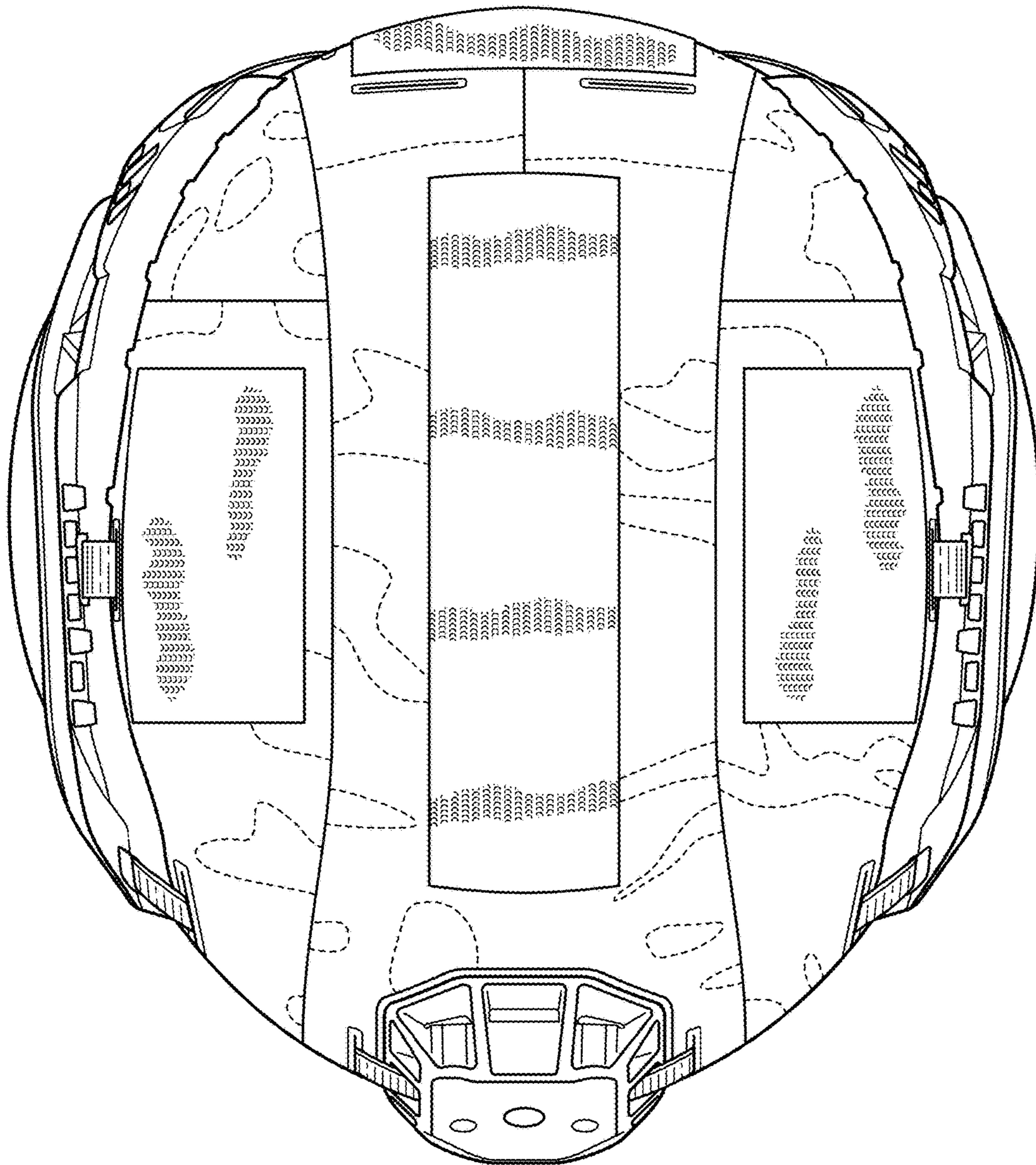


FIG. 8

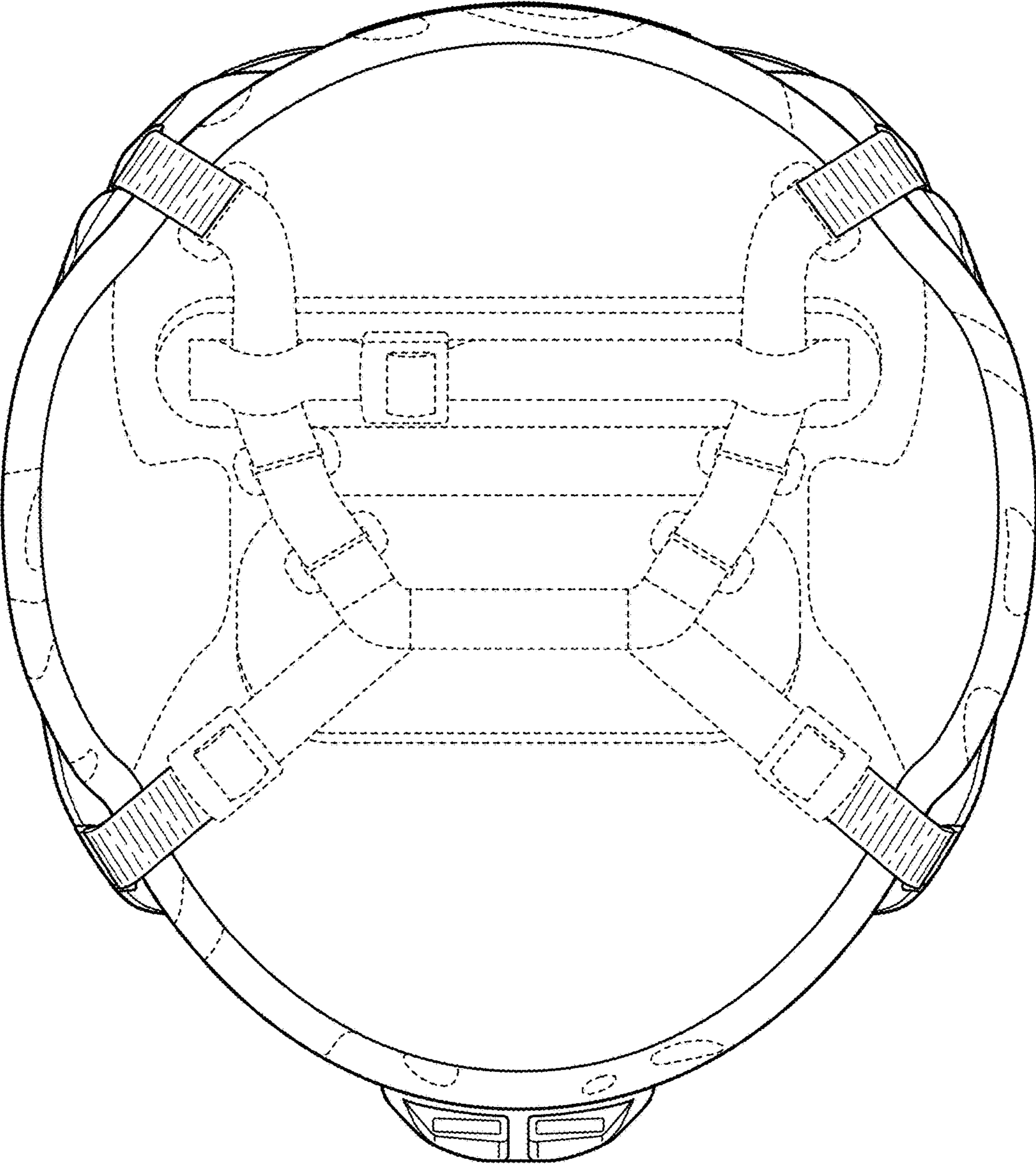


FIG. 9