



US00D788373S

(12) **United States Design Patent**
Bunge et al.

(10) **Patent No.: US D788,373 S**

(45) **Date of Patent: ** May 30, 2017**

(54) **FILTERING FACEMASK HOLDER**

(71) Applicants: **Max Jacob Bunge**, Shoreview, MN (US); **Alain Chad Vallet-Sandre**, Apple Valley, MN (US)

(72) Inventors: **Max Jacob Bunge**, Shoreview, MN (US); **Alain Chad Vallet-Sandre**, Apple Valley, MN (US)

(73) Assignee: **Masket, LLC**, Shoreview, MN (US)

(**) Term: **15 Years**

(21) Appl. No.: **29/538,970**

(22) Filed: **Sep. 9, 2015**

(51) **LOC (10) Cl. 29-02**

(52) **U.S. Cl.**
USPC **D29/108**

(58) **Field of Classification Search**
USPC D29/100, 102, 105, 106, 107, 108, 110, D29/122; D2/878, 880, 881; D24/110.1; 2/455, 456, 410, 423, 424, 425, 9, 171, 2/173, 206, 906; 128/857, 858, 201.22, 128/201.23, 201.24, 206.21
CPC A42B 5/00; A42B 3/18; A42B 3/20; A42B 1/046; A63B 71/08; A63B 71/10; A63B 71/105; A61F 9/04; A61F 9/06; A61F 9/029; A41D 13/11; A41D 13/1107; A41D 13/1161; A41D 13/1169; A41D 13/1176; A41G 7/00; A41G 7/02
See application file for complete search history.

(56) **References Cited**

U.S. PATENT DOCUMENTS

- 5,307,796 A * 5/1994 Kronzer A41D 13/1146
128/205.27
- 5,558,089 A * 9/1996 Castiglione A41D 13/1146
128/203.29
- D383,537 S * 9/1997 Lunden D24/110.1
- 5,819,731 A * 10/1998 Dyrud A41D 13/1161
128/206.12

- 5,848,589 A * 12/1998 Welnetz A62B 99/00
128/200.24
- D420,769 S * 2/2000 White D24/110.1
- D429,385 S * 8/2000 Lee D29/108
- D430,361 S * 8/2000 Smith D29/108
- 6,116,236 A * 9/2000 Wyss A61F 5/08
128/200.24
- D434,879 S * 12/2000 Cole D29/108

(Continued)

FOREIGN PATENT DOCUMENTS

CN 203677773 U 7/2014

OTHER PUBLICATIONS

Patent Cooperation Treaty, PCT International Search Report and Written Opinion for International Application No. PCT/US2016/050948 mailed on Dec. 21, 2016, 14 pages.

Primary Examiner — Elizabeth J Oswecki

(74) *Attorney, Agent, or Firm* — Merchant & Gould P.C.

(57) **CLAIM**

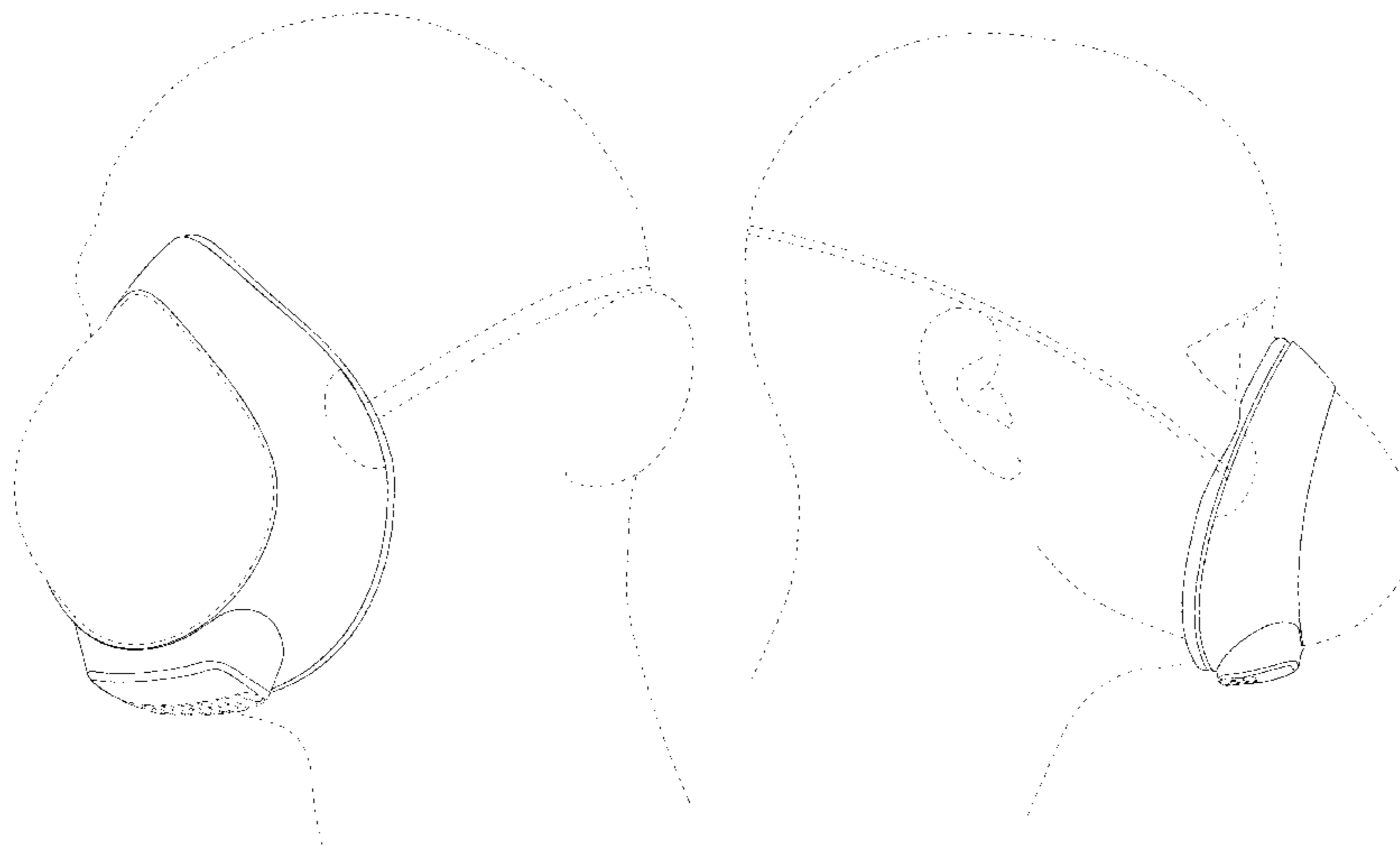
The ornamental design for a filtering facemask holder, as shown and described.

DESCRIPTION

FIG. 1 is an isometric view of a filtering facemask holder showing our new design, shown in a closed position; FIG. 2 is a side view thereof; FIG. 3 is a front view thereof; FIG. 4 is a front view thereof, shown in an open position; FIG. 5 is a rear view thereof; FIG. 6 is a left side view thereof; FIG. 7 is a right side view thereof; FIG. 8 is a top view thereof; and, FIG. 9 is a bottom view thereof.

The broken lines shown in the drawings represent portions of the filtering facemask holder that form no part of the claimed design.

1 Claim, 9 Drawing Sheets



(56)

References Cited

U.S. PATENT DOCUMENTS

6,817,362	B2	11/2004	Gelinas	
D636,128	S *	4/2011	Hancock	D29/108
D638,171	S *	5/2011	Goranov	D29/108
D640,011	S *	6/2011	Teng	D29/108
D658,334	S *	4/2012	Goranov	D29/108
D671,688	S *	11/2012	Sullivan, II	A41D 13/1146
				D29/108
D686,372	S *	7/2013	Smith	D29/108
D698,498	S *	1/2014	Fleming	D29/108
8,905,034	B2 *	12/2014	Goranov	A41D 13/1115
				128/201.17
2008/0230066	A1 *	9/2008	Chandaria	A41D 13/11
				128/206.13
2008/0295843	A1 *	12/2008	Haas	A41D 13/1192
				128/205.27
2009/0320849	A1 *	12/2009	Biedermann	A41D 13/1192
				128/206.28
2010/0018533	A1	1/2010	Biedermann et al.	
2010/0218774	A1 *	9/2010	Flaherty	A41D 13/1138
				128/863
2015/0034098	A1	2/2015	Pao	
2015/0047642	A1	2/2015	Tucker et al.	

* cited by examiner

FIG. 1

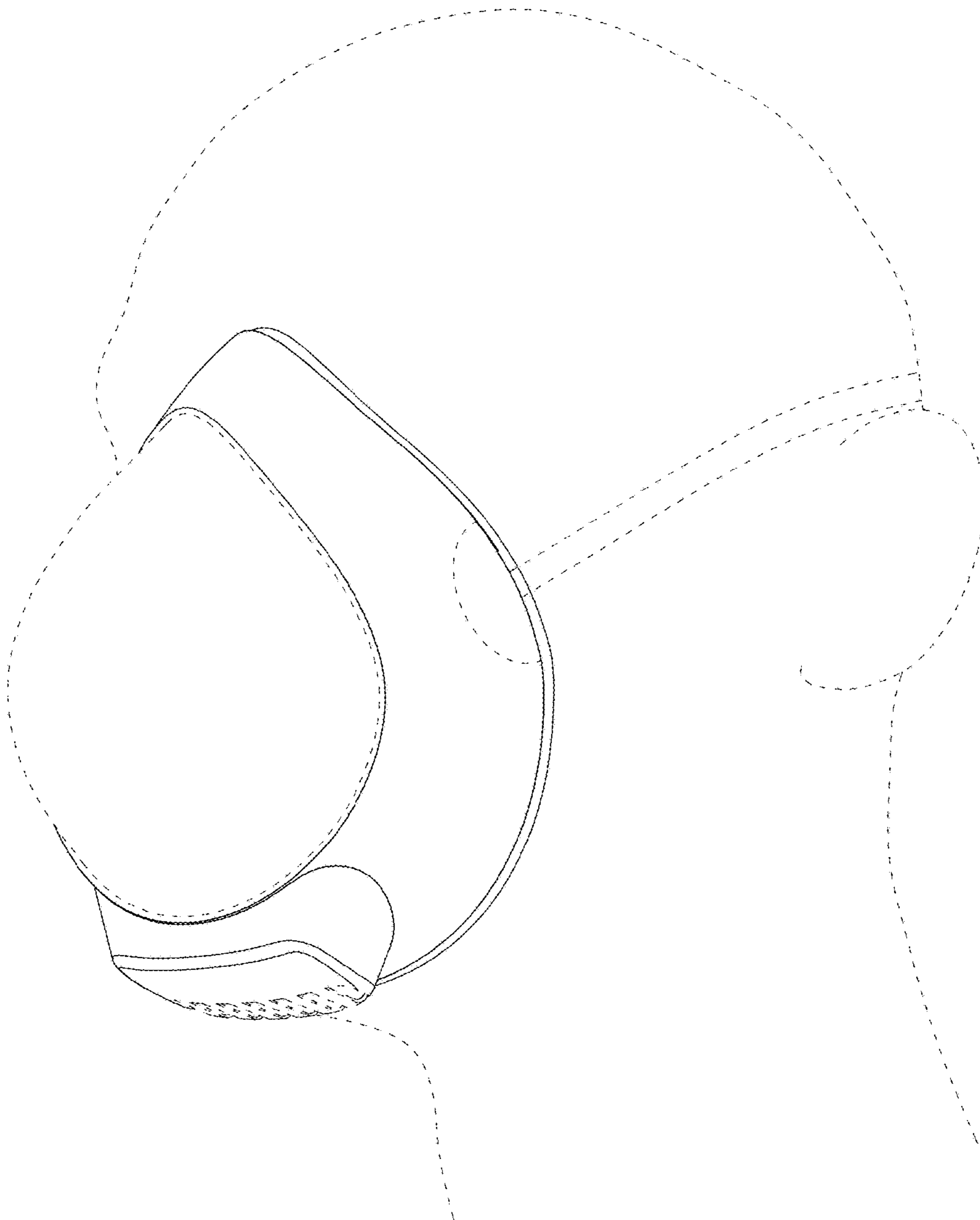


FIG. 2

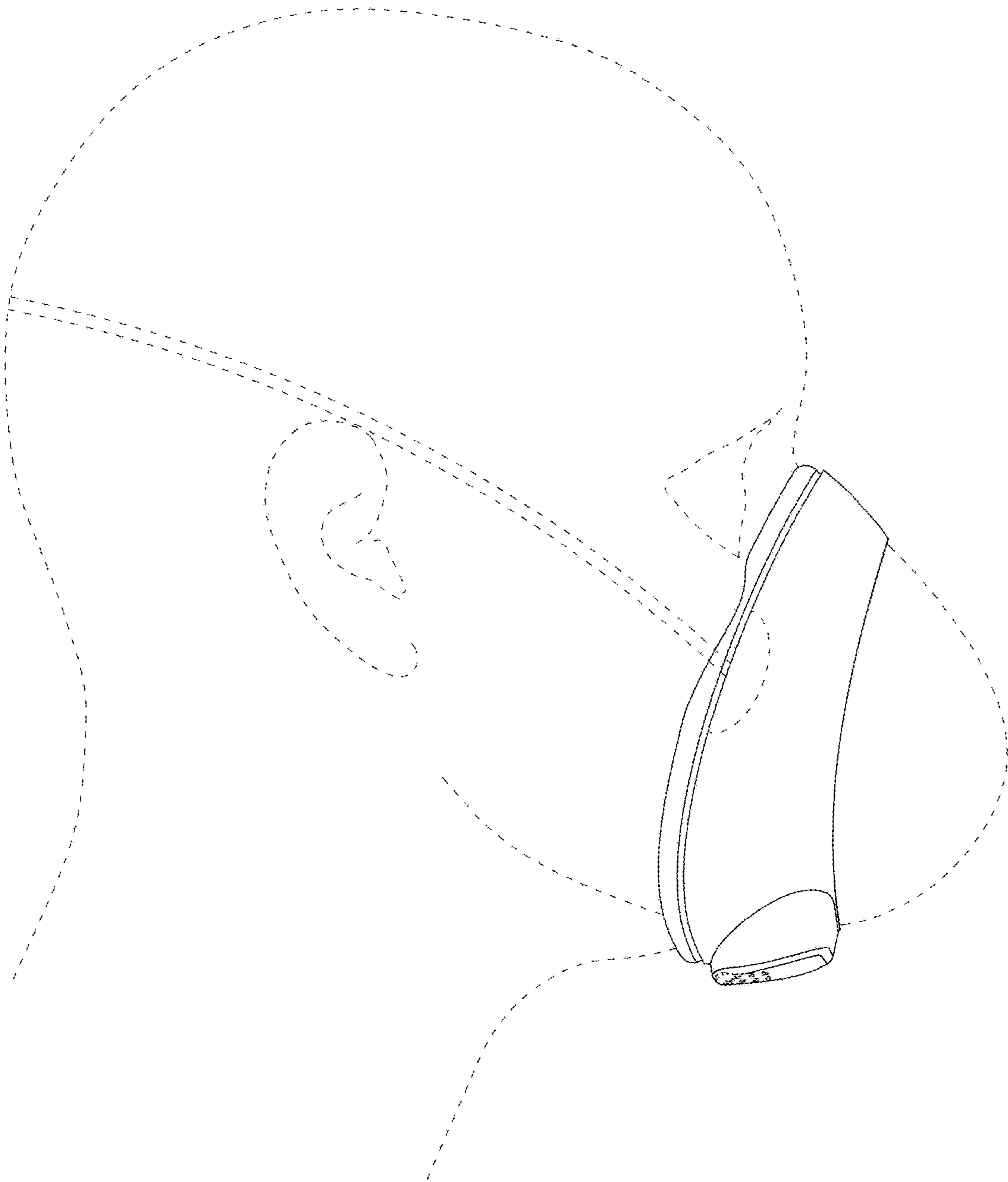


FIG. 3

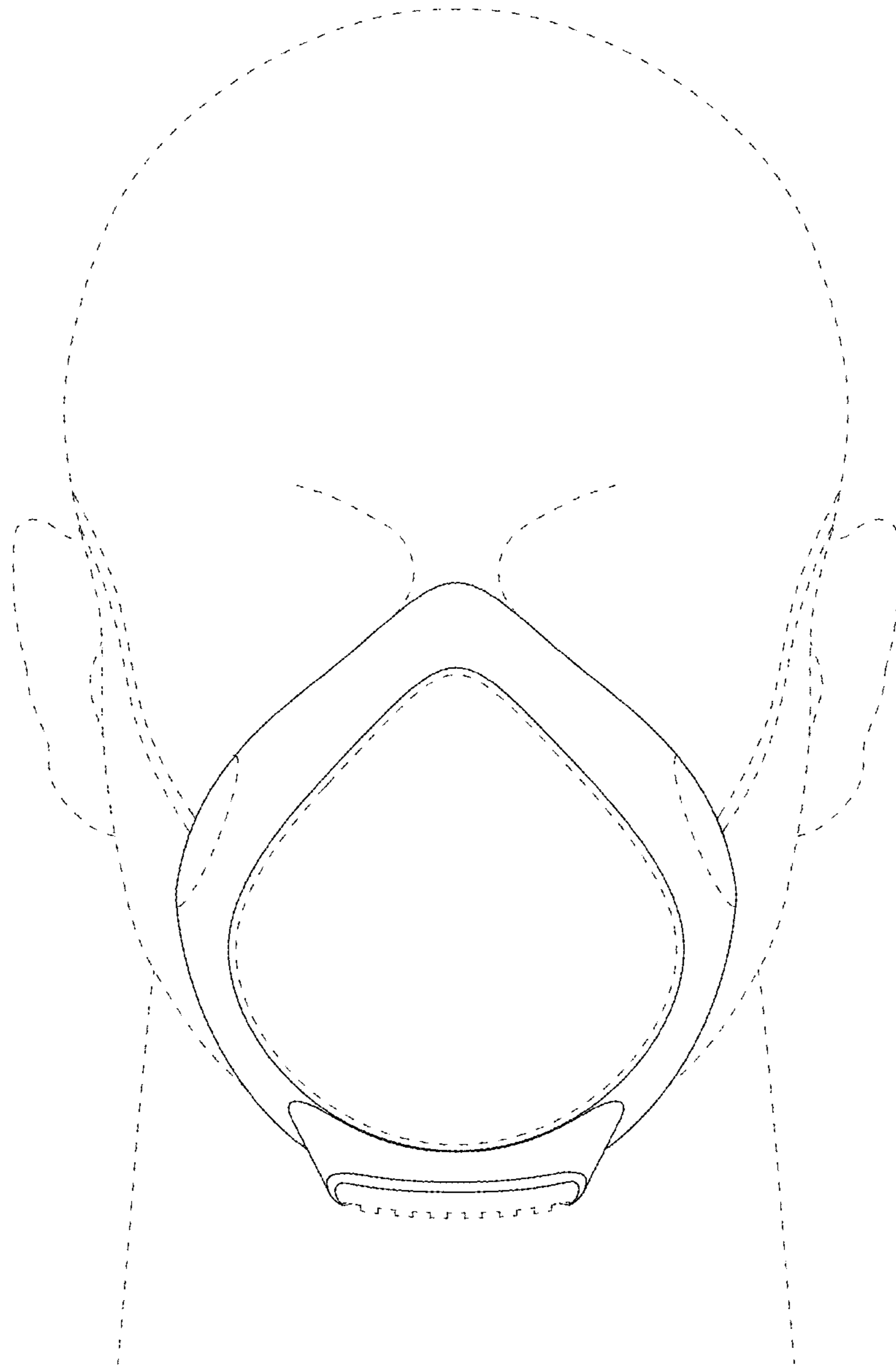


FIG. 4

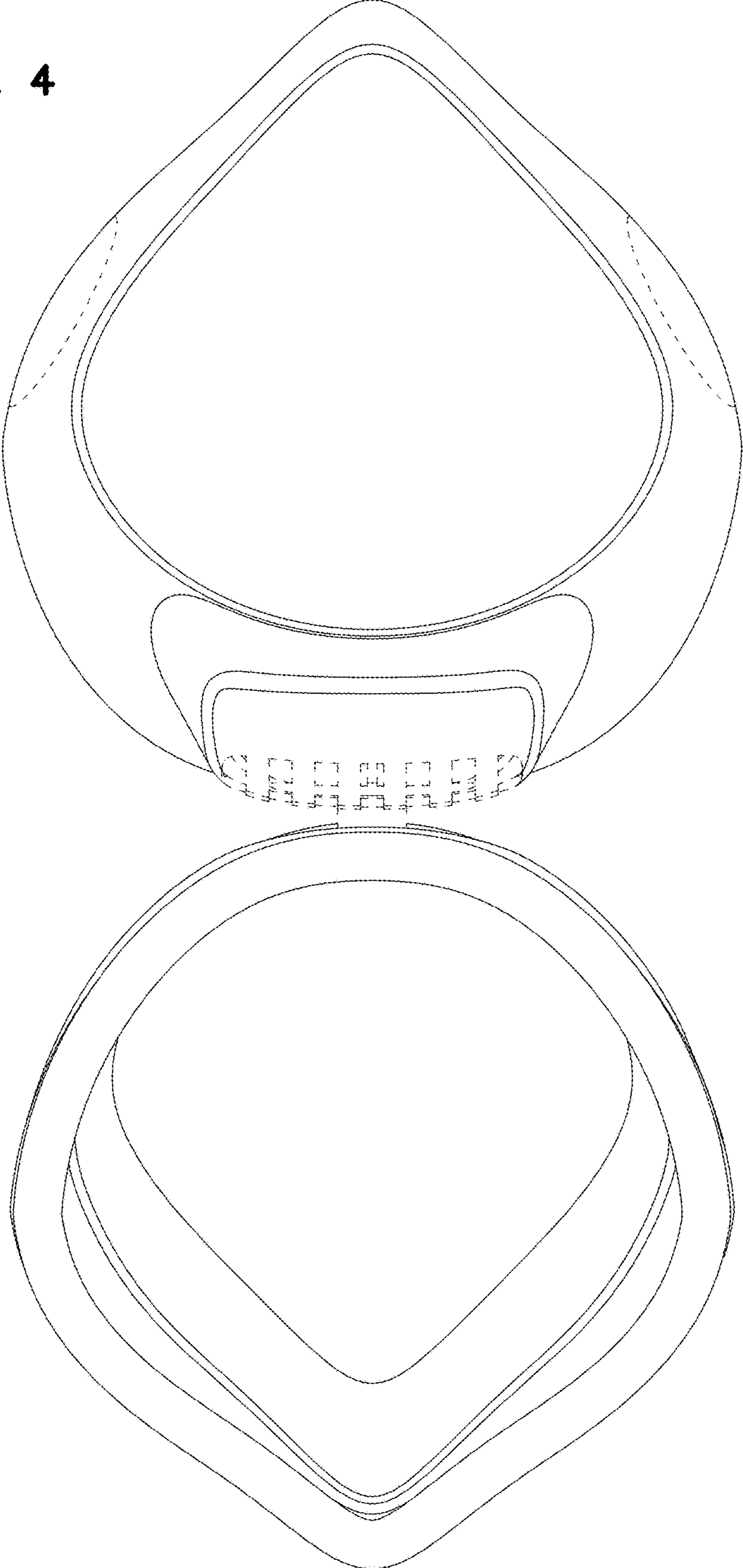


FIG. 5

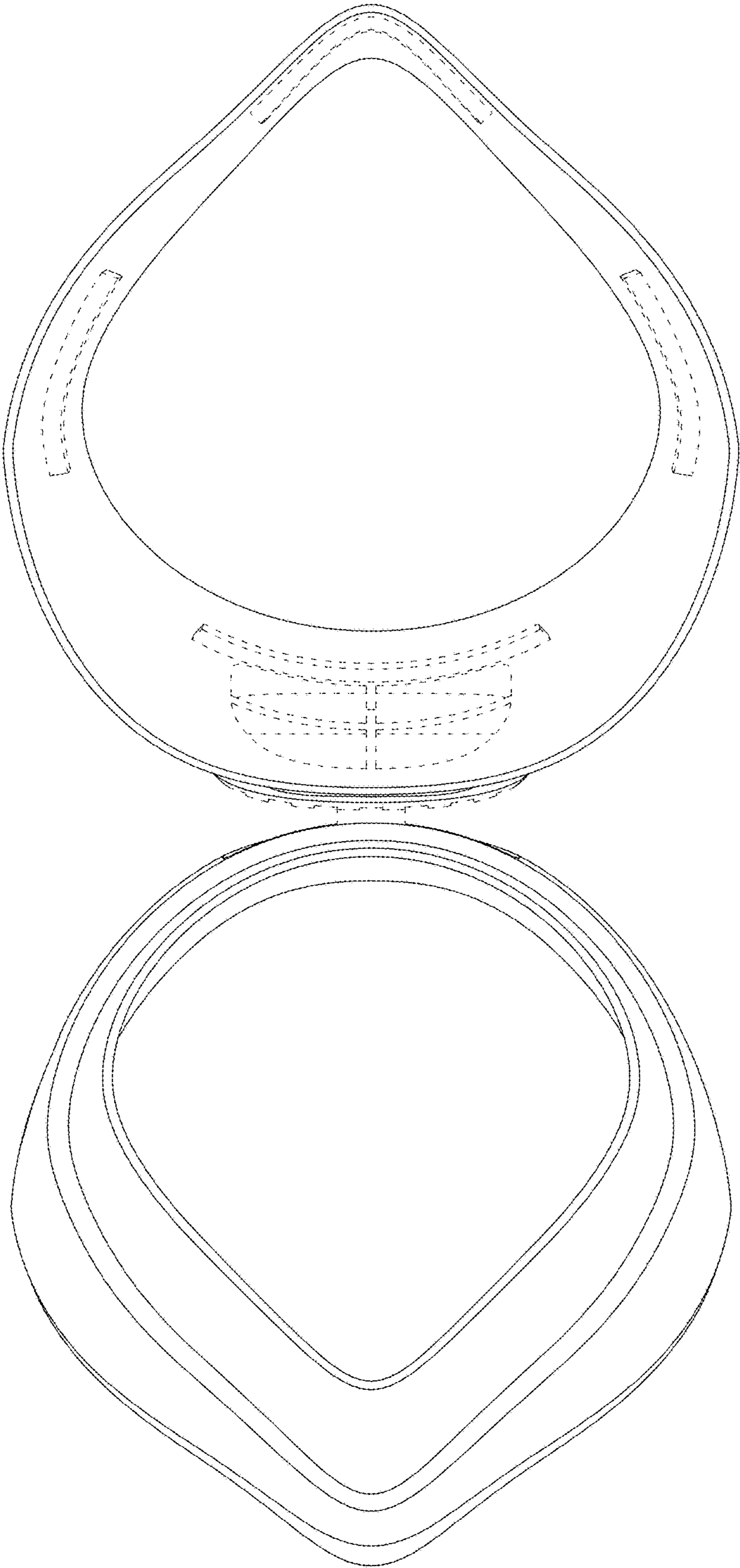


FIG. 6

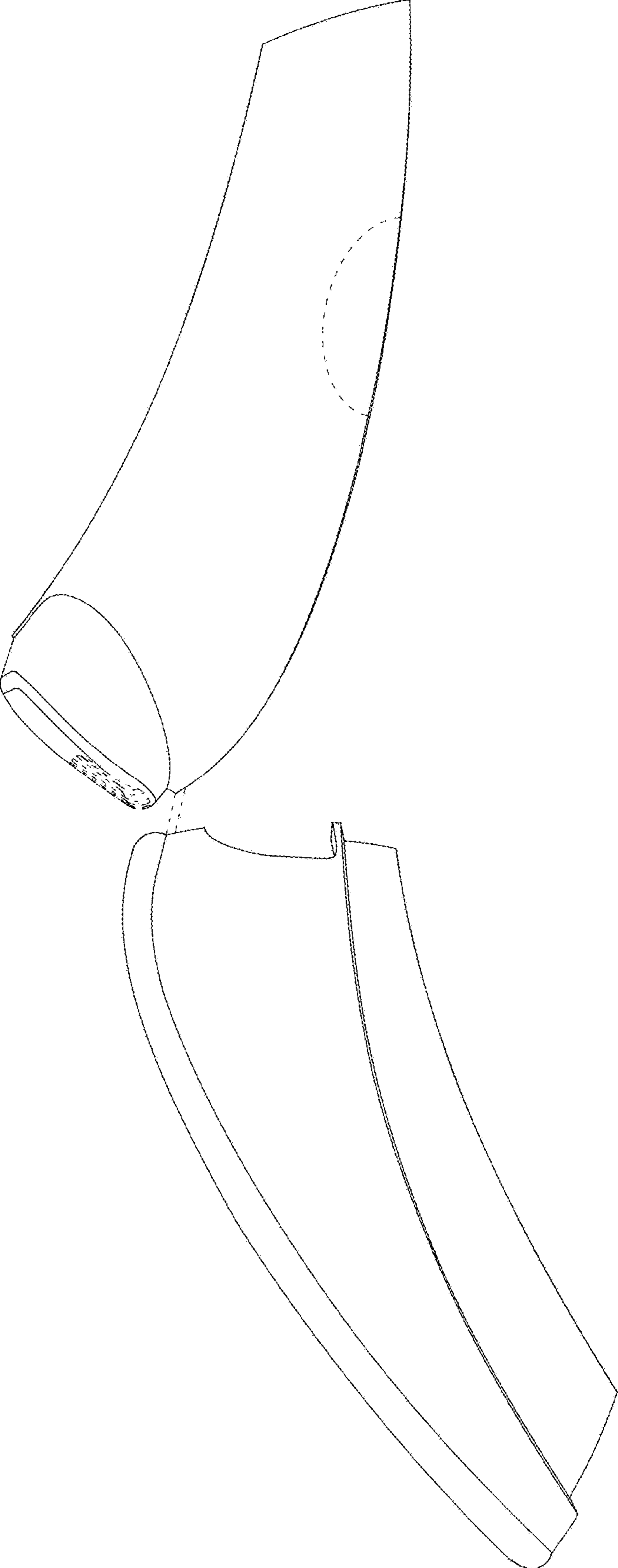


FIG. 7

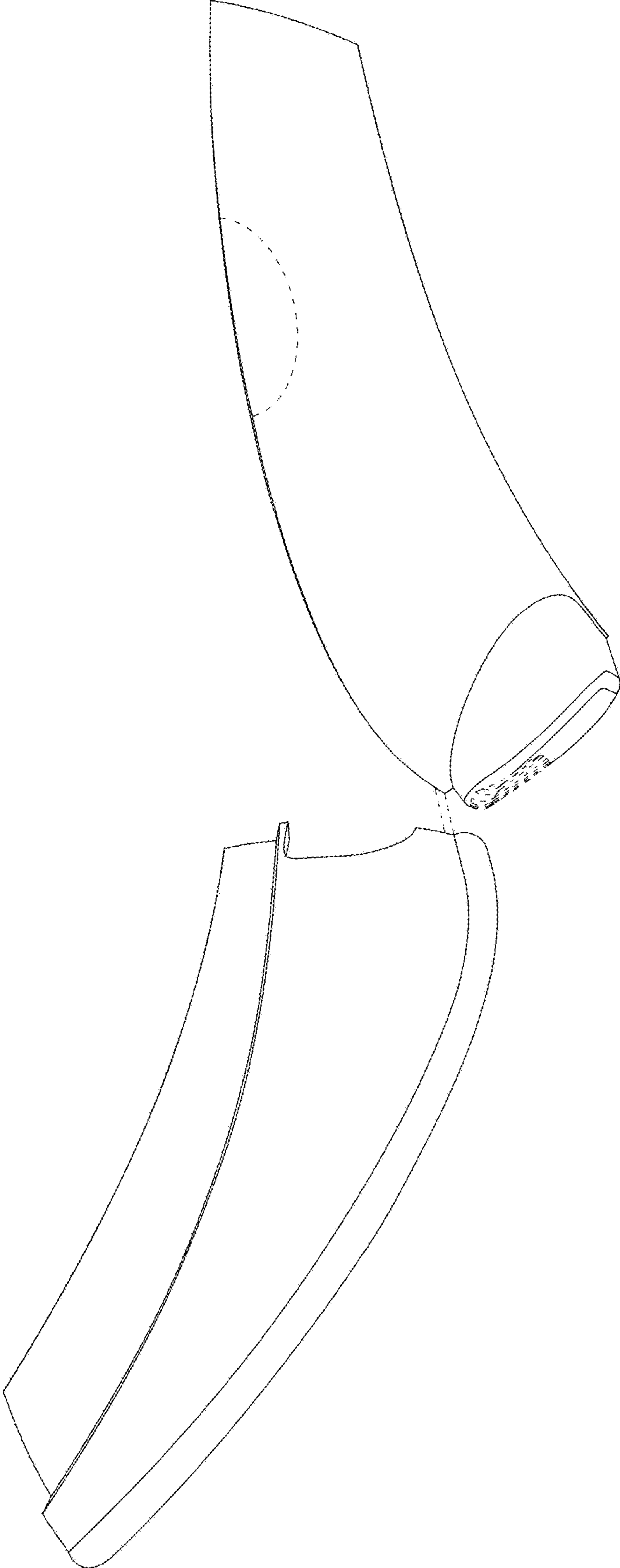


FIG. 8

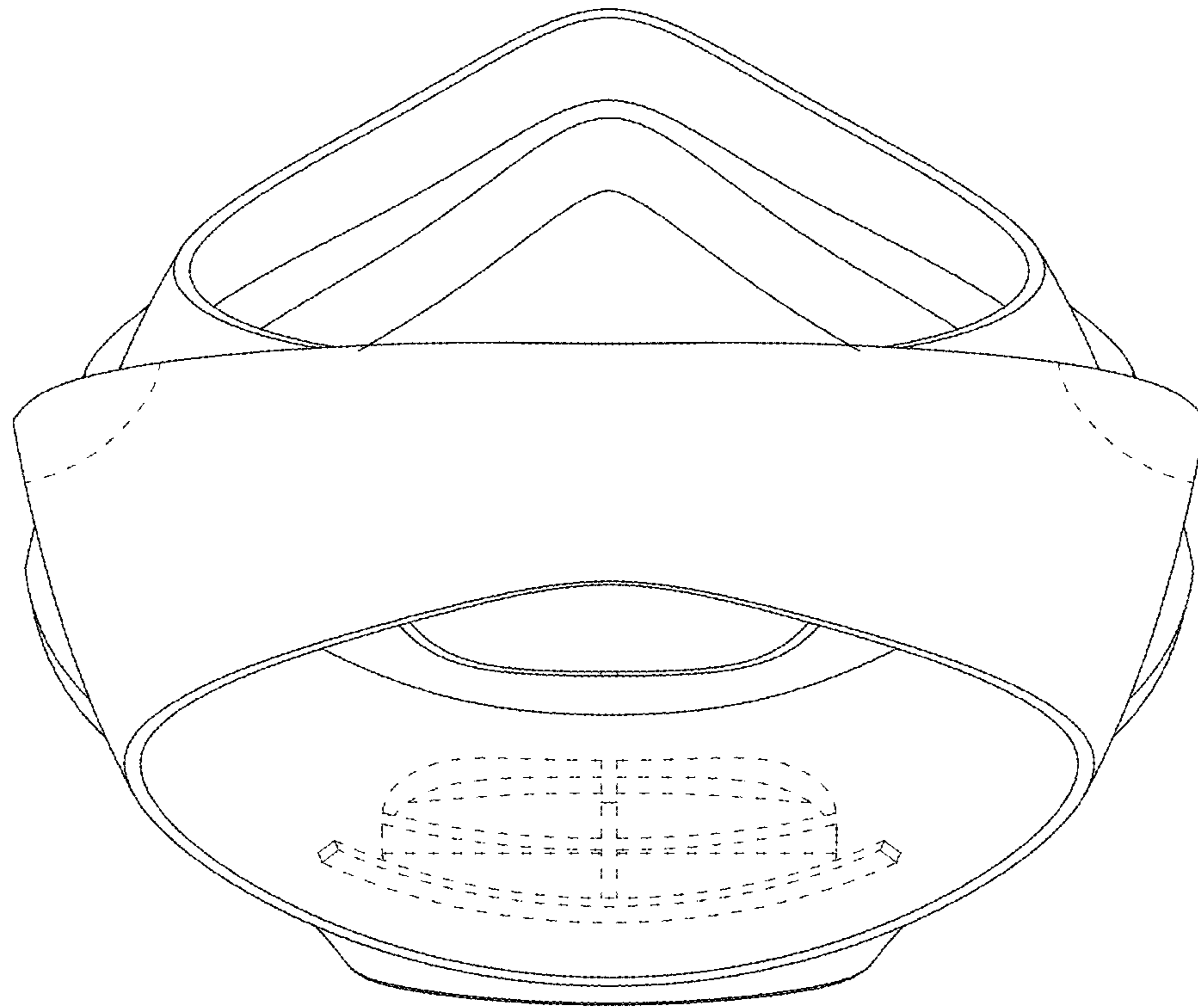


FIG. 9

