



US00D788371S

(12) **United States Design Patent** (10) **Patent No.:** **US D788,371 S**
Lee (45) **Date of Patent:** **** *May 30, 2017**

(54) **COMPACT**
(71) Applicant: **Amorepacific Corporation**, Seoul (KR)
(72) Inventor: **Hye Jin Lee**, Seoul (KR)
(73) Assignee: **AMOREPACIFIC CORPORATION**,
Seoul (KR)

D697,800 S * 1/2014 Villarreal D28/82
D721,853 S * 1/2015 Koo D28/82
D722,404 S * 2/2015 Son D28/82
D722,405 S * 2/2015 Hwang D28/82
D724,786 S * 3/2015 Jung D28/82
D726,377 S * 4/2015 Koo D28/82
D727,164 S * 4/2015 Staab D9/635
D732,740 S * 6/2015 Yoon D28/82
D742,070 S * 10/2015 Park D28/82

(*) Notice: This patent is subject to a terminal disclaimer.

* cited by examiner

(**) Term: **14 Years**

Primary Examiner — Jennifer Rivard
(74) *Attorney, Agent, or Firm* — Ohlandt, Greeley,
Ruggiero & Perle, L.L.P.

(21) Appl. No.: **29/506,540**

(22) Filed: **Oct. 16, 2014**

(57) **CLAIM**

(30) **Foreign Application Priority Data**

The ornamental design for a compact, as shown and described.

Apr. 16, 2014 (KR) 30-2014-0019283

(51) **LOC (10) Cl.** **28-03**

(52) **U.S. Cl.**
USPC **D28/82**

DESCRIPTION

(58) **Field of Classification Search**
USPC D28/76–84; D9/772, 428
CPC A45D 33/00–33/003; A45D 33/006; A45D
33/008; A45D 33/02; A45D 33/025;
A45D 33/06–33/10; A45D 33/16; A45D
33/18; A45D 33/20; A45D 33/22; A45D
33/24; A45D 33/26; A45D 33/28; A45D
40/00; A45D 40/22–40/24; A45D 40/0075
See application file for complete search history.

FIG. 1 is a perspective view of the compact of the present invention;
FIG. 2 is a front elevation view of the compact shown in FIG. 1;
FIG. 3 is a rear elevation view of the compact shown in FIG. 1;
FIG. 4 is a left side elevation view of the compact shown in FIG. 1;
FIG. 5 is a right side elevation view of the compact shown in FIG. 1;
FIG. 6 is a top plan view of the compact shown in FIG. 1;
and,
FIG. 7 is a bottom plan view of the compact shown in FIG. 1.

(56) **References Cited**

U.S. PATENT DOCUMENTS

D655,457 S * 3/2012 In D28/82
D697,674 S * 1/2014 You D28/82

1 Claim, 7 Drawing Sheets

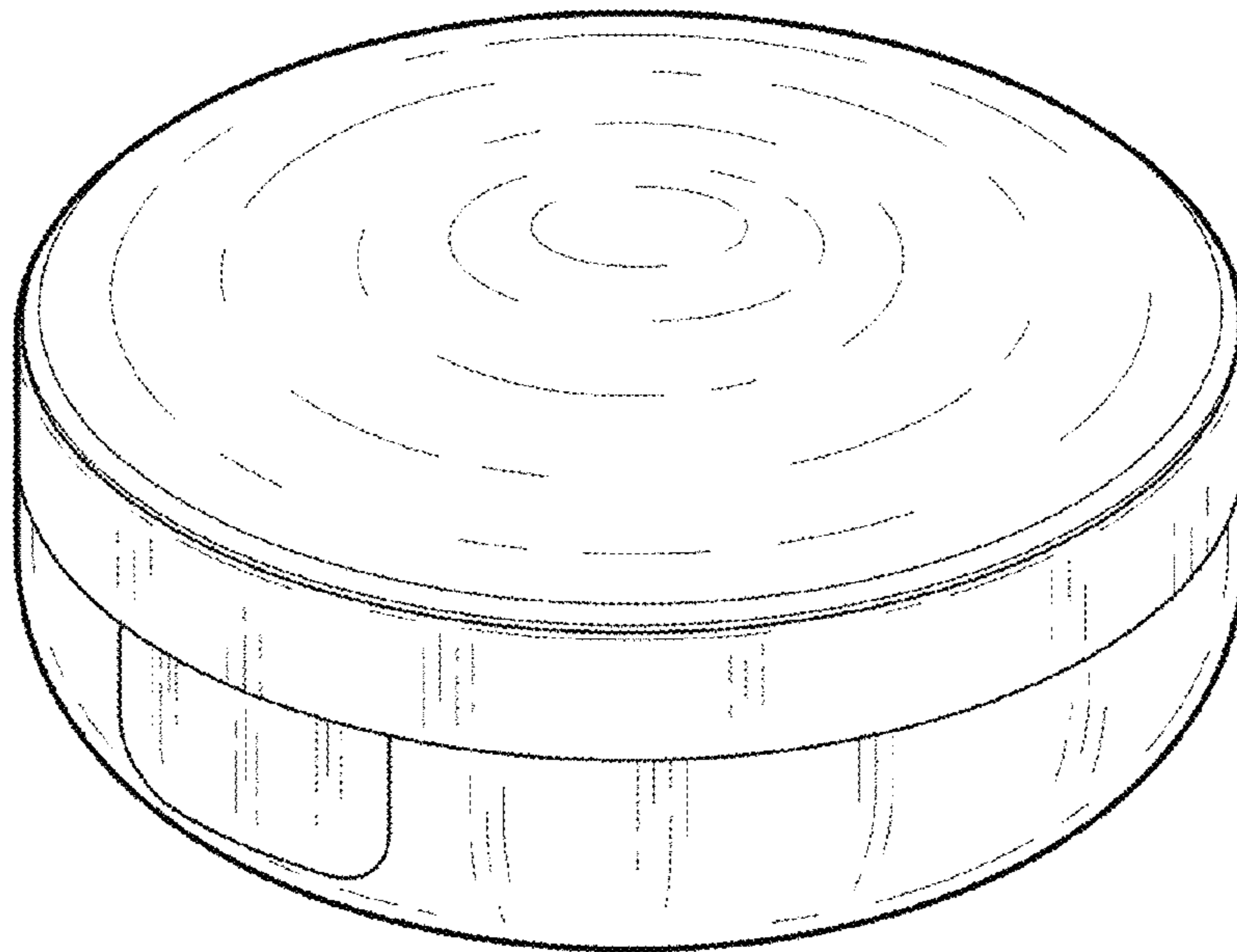


Fig. 1

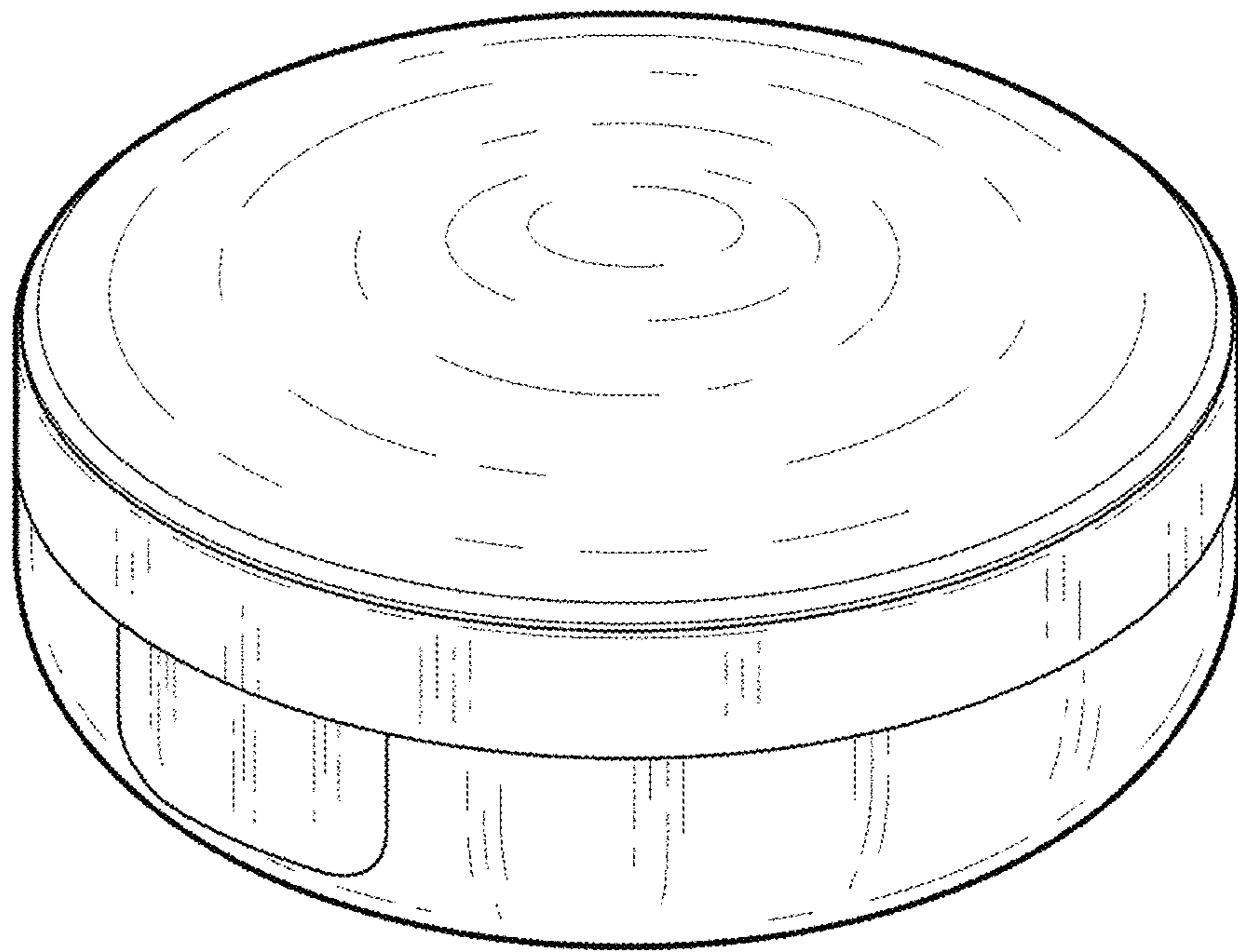


Fig. 2

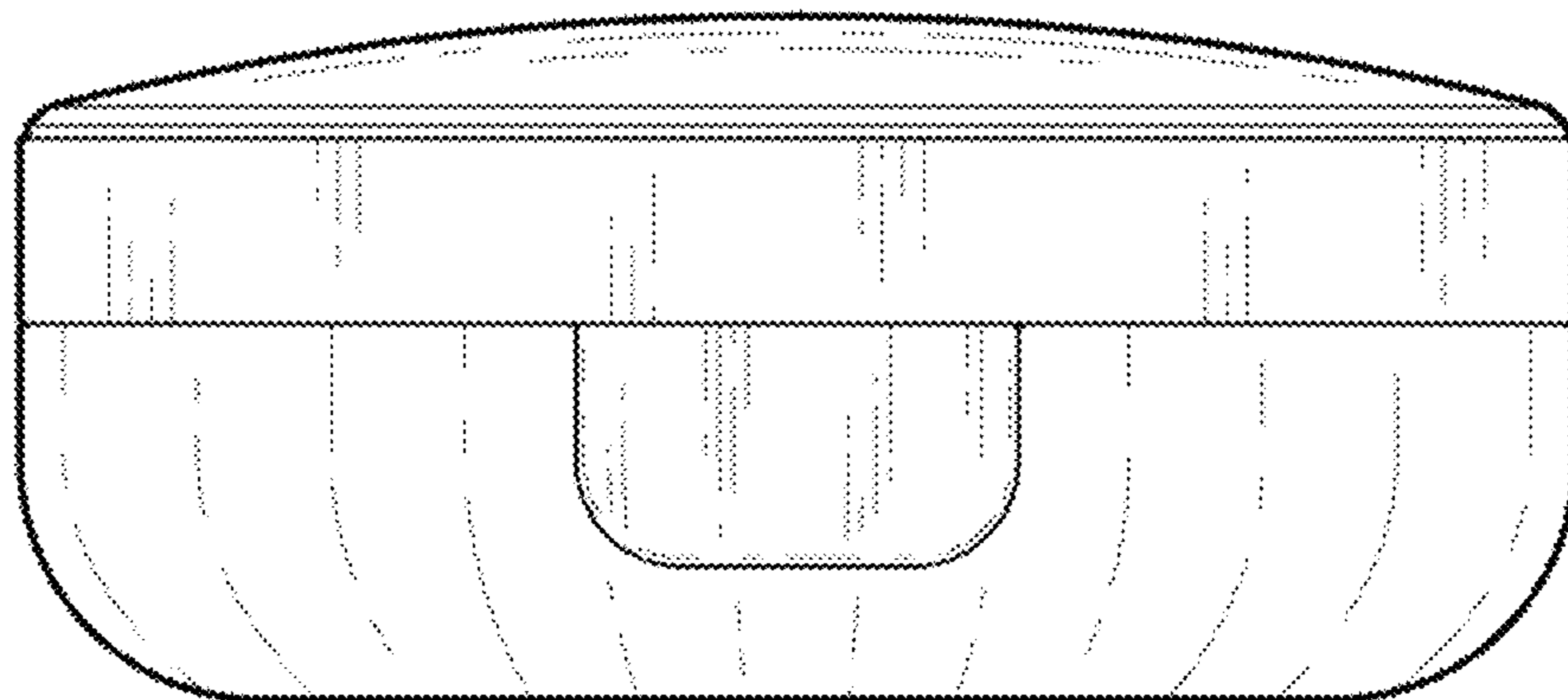


Fig. 3

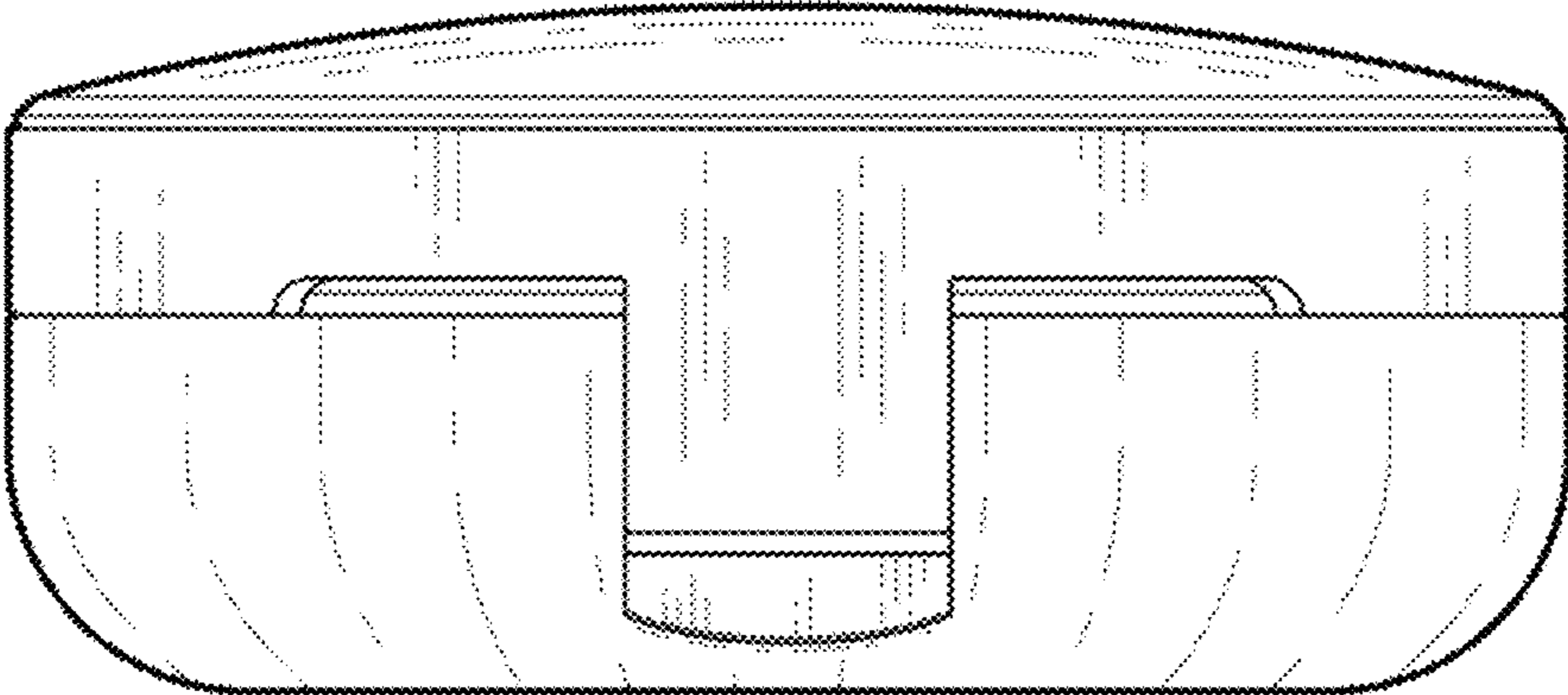


Fig. 4

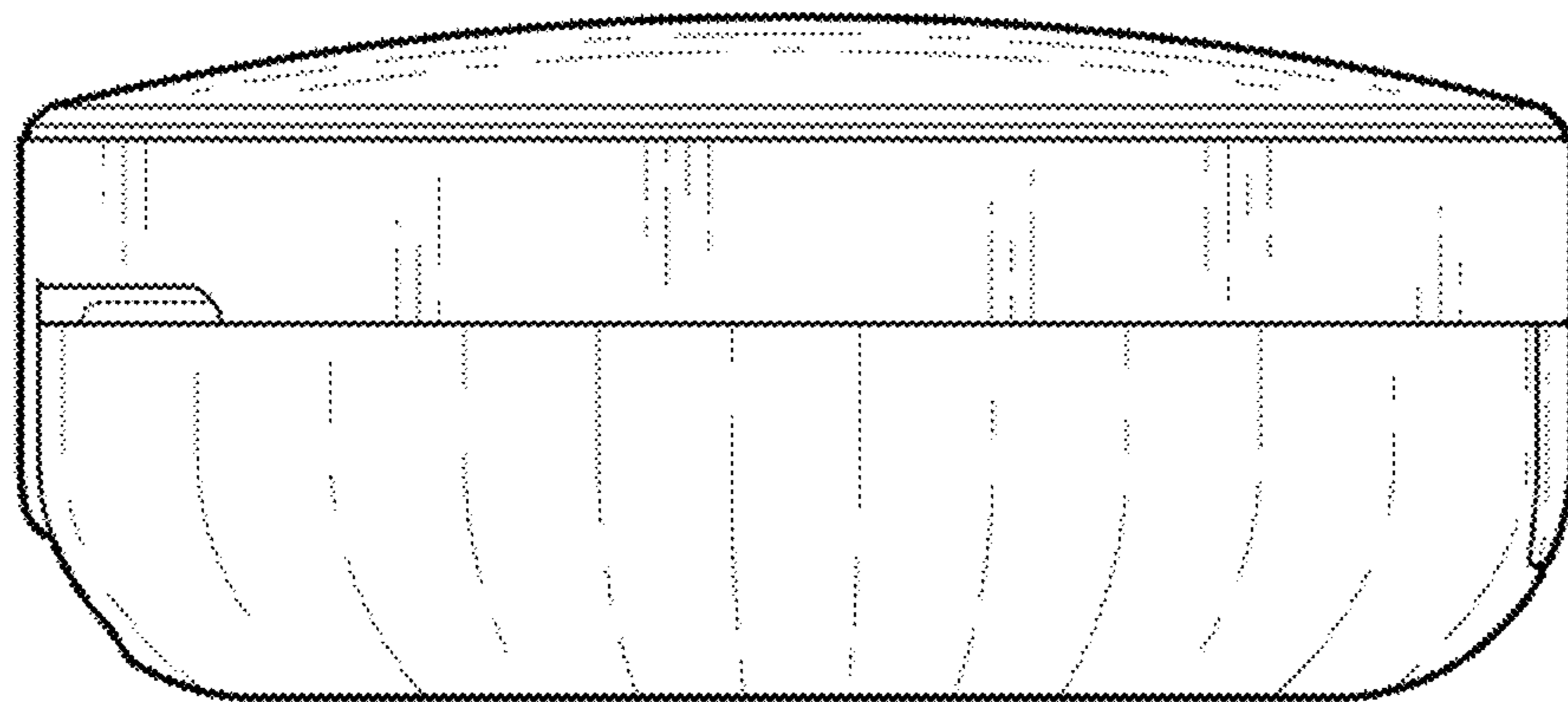


Fig. 5

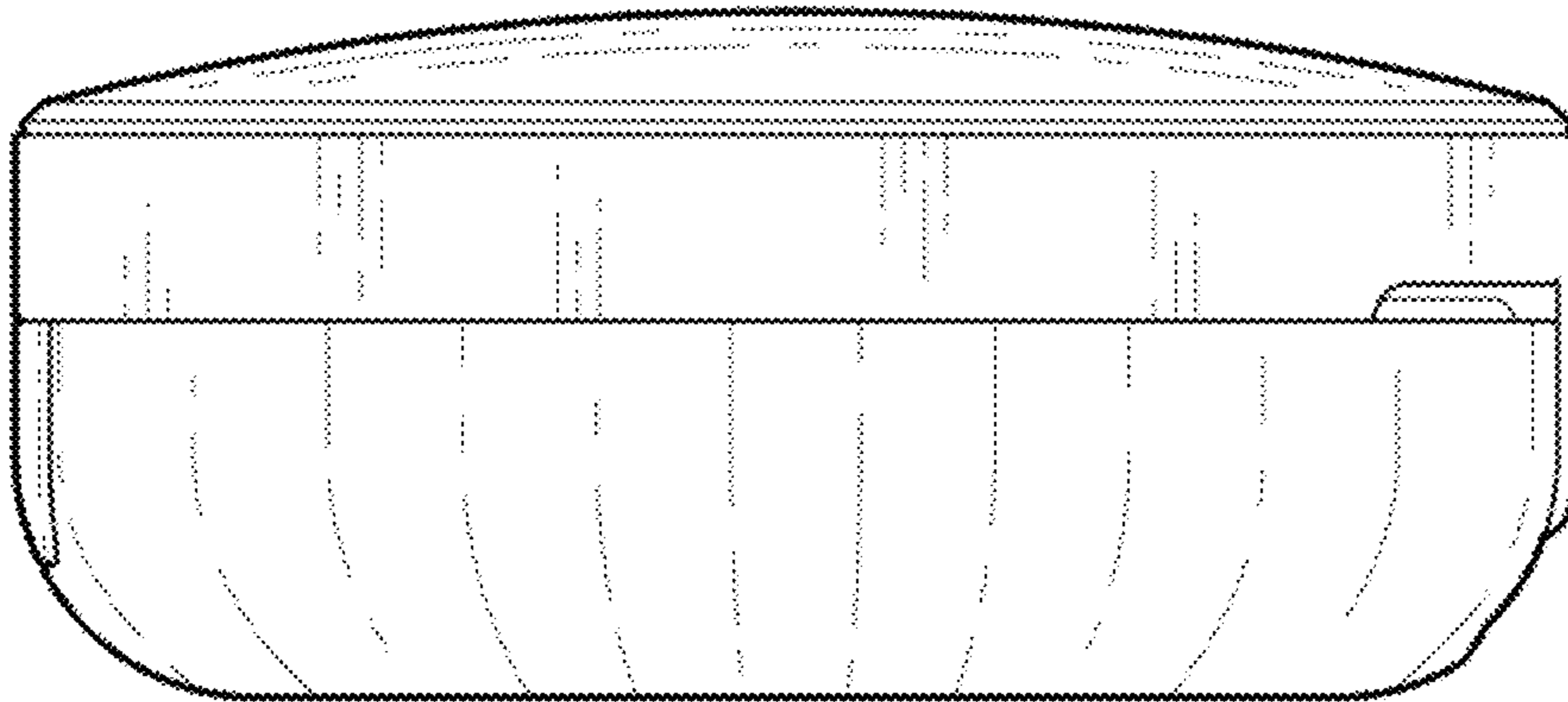


Fig. 6

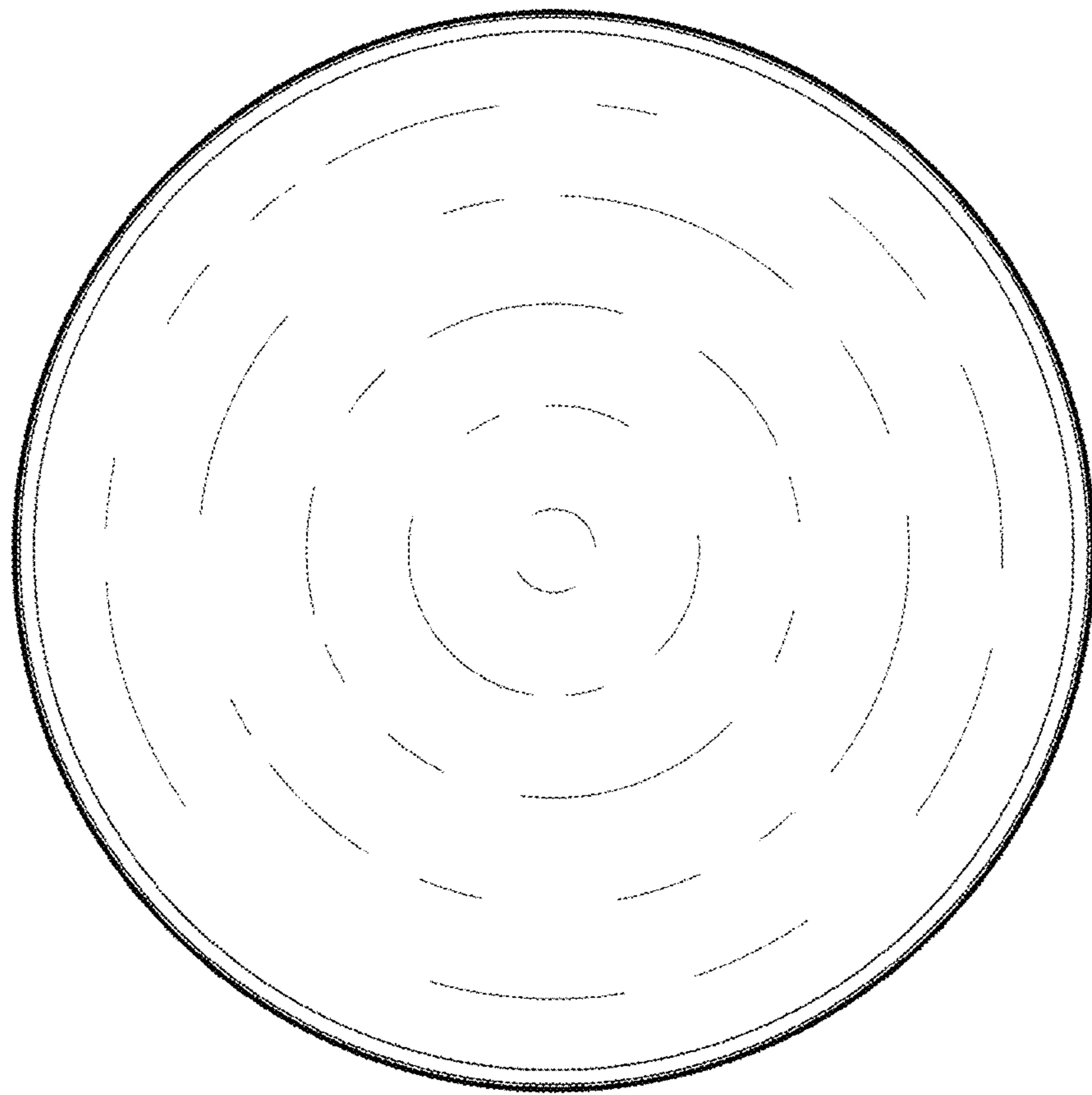


Fig. 7

