



US00D788370S

(12) **United States Design Patent** (10) **Patent No.:** **US D788,370 S**
Cho et al. (45) **Date of Patent:** **** May 30, 2017**

(54) **NAIL CLIPPERS**

(71) Applicant: **THREE SEVEN CORPORATION,**
Chungcheongnam-do (KR)

(72) Inventors: **Jong Ho Cho,** Gyeonggi-do (KR); **Ji Yeon Kim,** Gyeyang-gu (KR)

(73) Assignee: **Three Seven Corporation,**
Chungcheongnam-Do (KR)

(**) Term: **14 Years**

(21) Appl. No.: **29/525,993**

(22) Filed: **May 5, 2015**

(30) **Foreign Application Priority Data**

Nov. 6, 2014 (KR) 30-2014-0053 423

(51) **LOC (10) Cl.** **28-03**

(52) **U.S. Cl.**
USPC **D28/62**

(58) **Field of Classification Search**
USPC D28/60, 62
CPC ... A45D 29/02; A45D 29/23; A45D 2029/026
See application file for complete search history.

(56) **References Cited**

U.S. PATENT DOCUMENTS

D198,660 S * 7/1964 Britton D28/60
D292,328 S * 10/1987 Gamble D28/60
D313,874 S * 1/1991 Schulz D28/60
D364,246 S * 11/1995 Conerly D28/60
5,488,772 A * 2/1996 Dababneh A45D 29/023
132/75.5
D391,679 S * 3/1998 Harrison D28/62
D394,731 S * 5/1998 Lee D28/60
6,009,880 A * 1/2000 Weidlich A45D 29/023
132/73

D522,177 S * 5/2006 Legras de Grandcourt .. D28/60
D562,499 S * 2/2008 Park D28/60
D581,098 S * 11/2008 Fiene D28/60
D593,712 S * 6/2009 Han D28/60
2016/0279766 A1* 9/2016 Hussain B25B 9/02

FOREIGN PATENT DOCUMENTS

CA 2265004 A1 * 9/2000 A45D 29/02
KR WO 2016093454 A1 * 6/2016 A45D 29/02

OTHER PUBLICATIONS

Smart clipper with catcher, Google image search for "nail clipper with catcher," 1 page, downloaded Jan. 24, 2017.*
Seki Nail Clipper, www.ebay.com, 1 page, downloaded Jan. 24, 2017.*
Tweezerman nail clipper, www.tweezerman.com, 1 page, downloaded Jan. 24, 2017.*

* cited by examiner

Primary Examiner — Jennifer Rivard

(74) *Attorney, Agent, or Firm* — Daniel A. Thomson;
Emerson, Thomson, Bennett, LLC

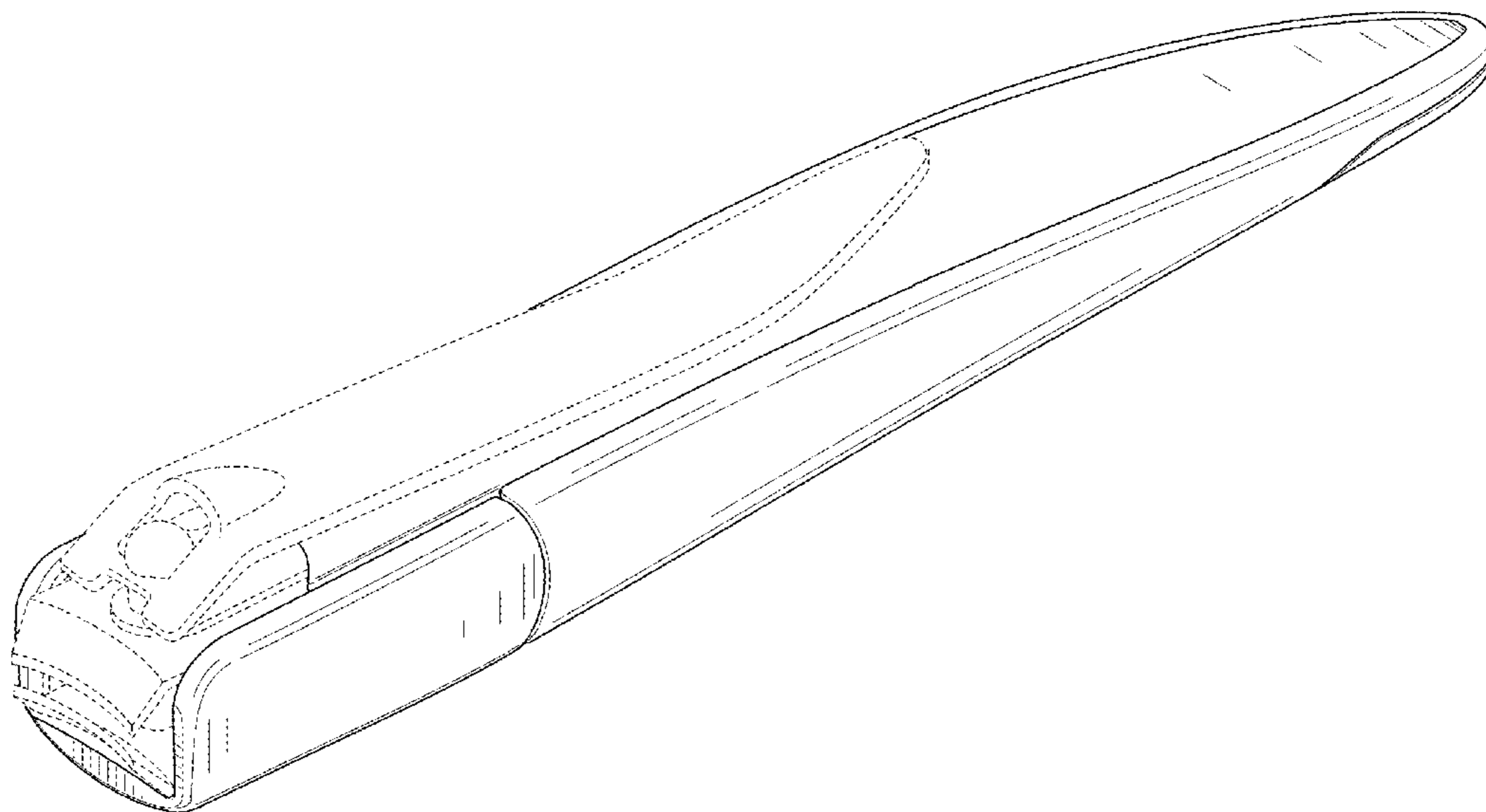
(57) **CLAIM**

The ornamental design for the nail clippers, as shown and described.

DESCRIPTION

FIG. 1 is a perspective view of the nail clippers;
FIG. 2 is a front view thereof;
FIG. 3 is a rear view thereof;
FIG. 4 is a left side view thereof;
FIG. 5 is a right side view thereof;
FIG. 6 is a top plan view thereof; and,
FIG. 7 is a bottom view thereof.
The broken lines shown in the drawings illustrate a portion of the nail clippers and form no part of the claimed design.

1 Claim, 4 Drawing Sheets



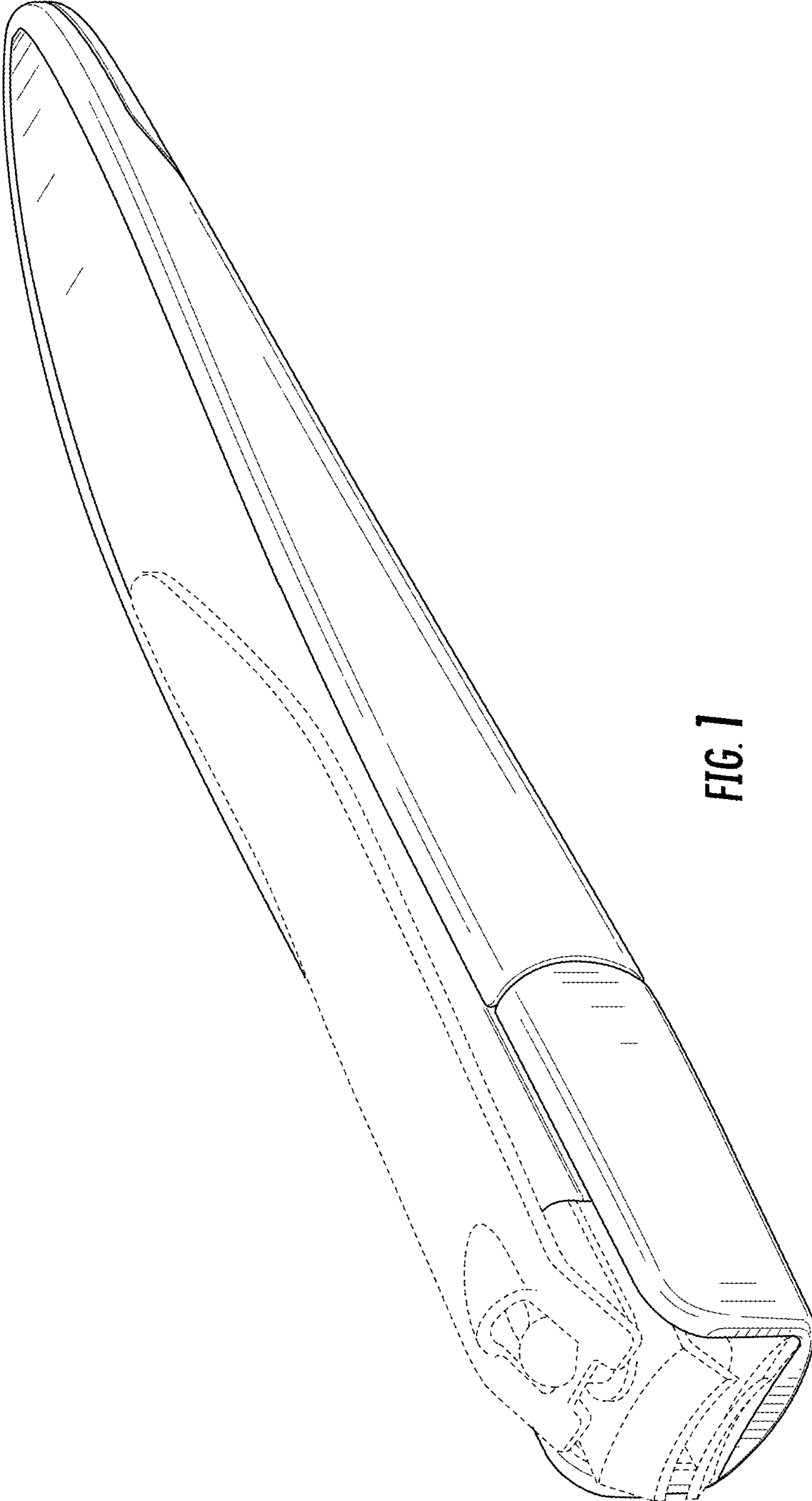


FIG. 1

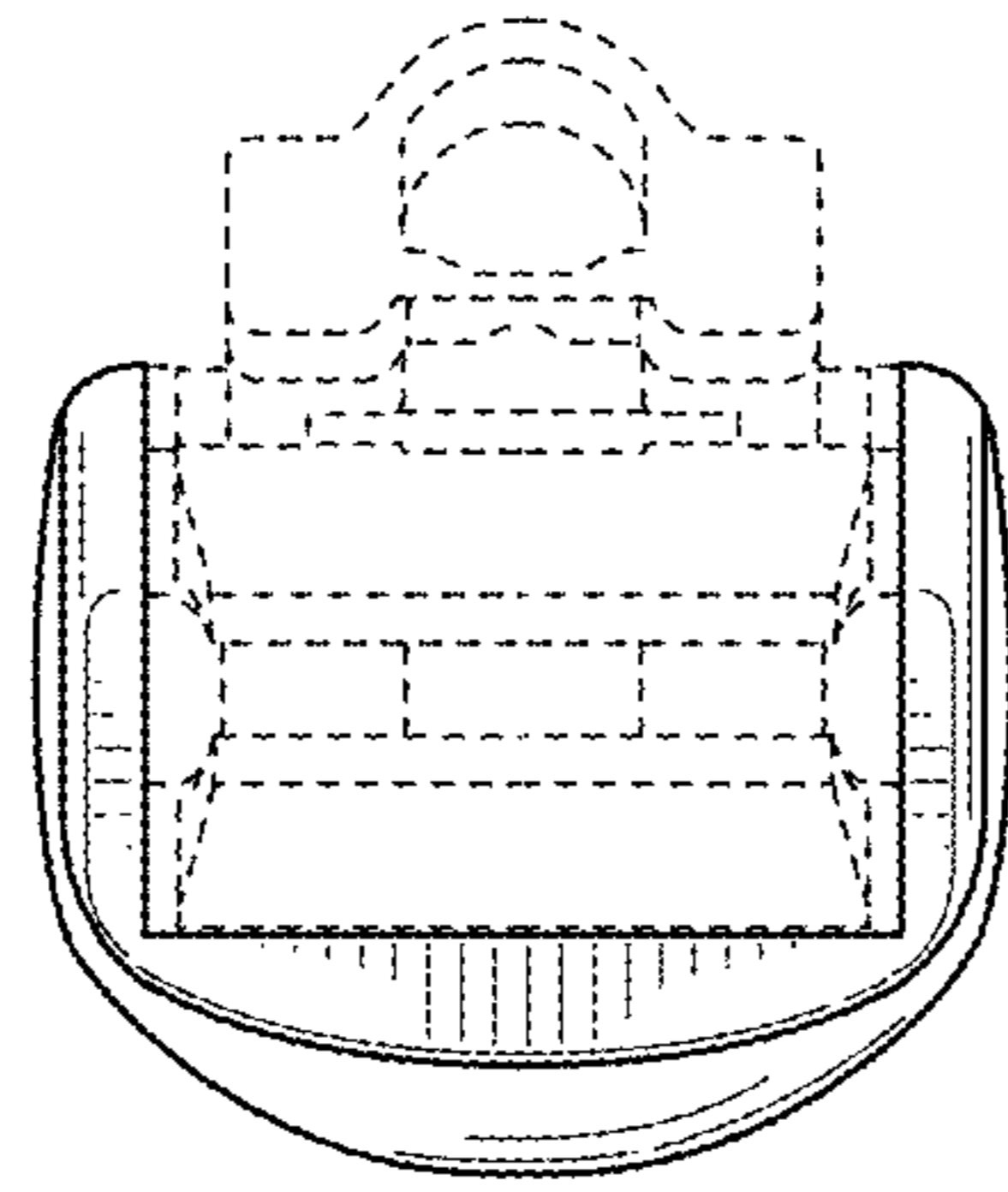


FIG. 2

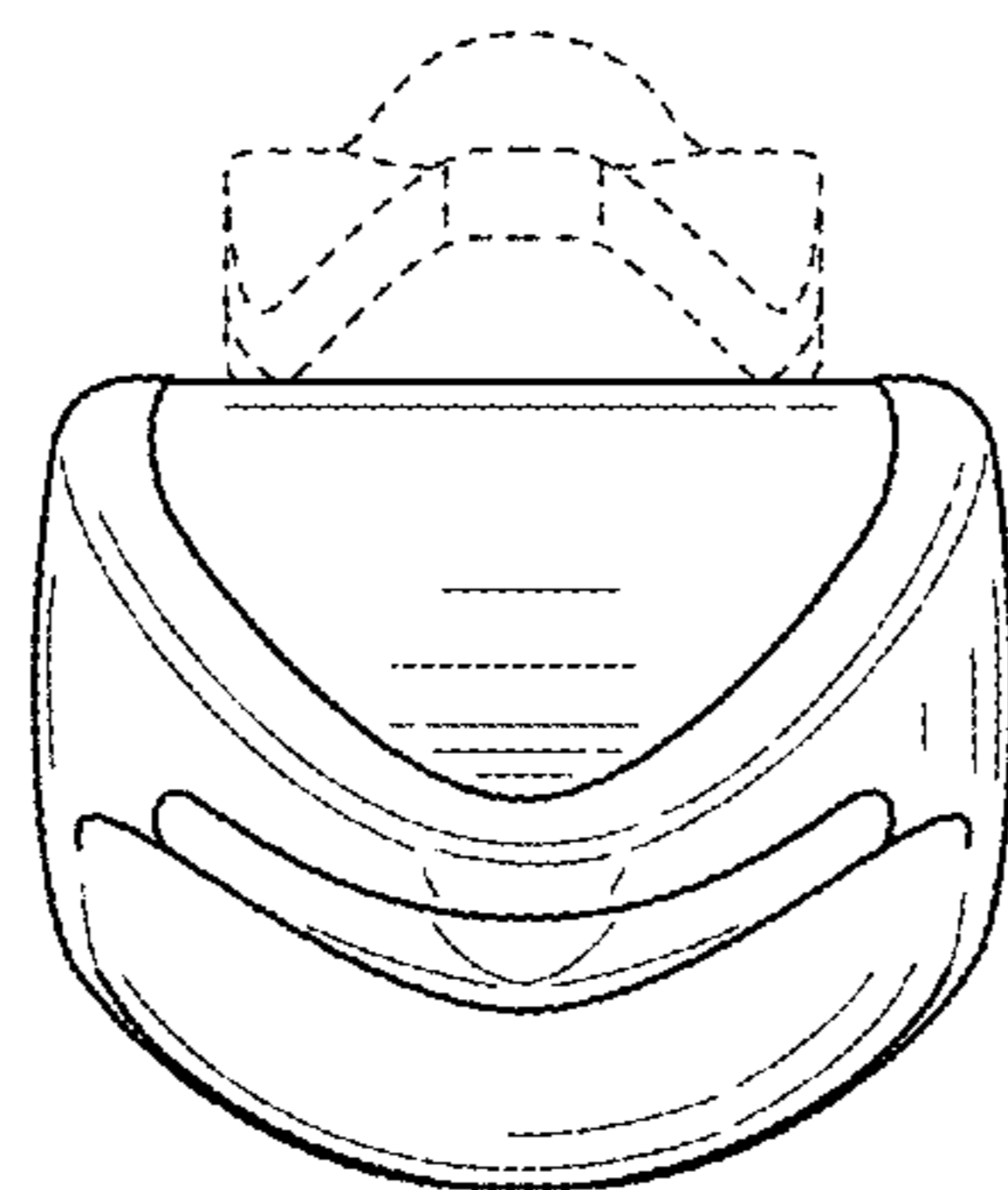


FIG. 3

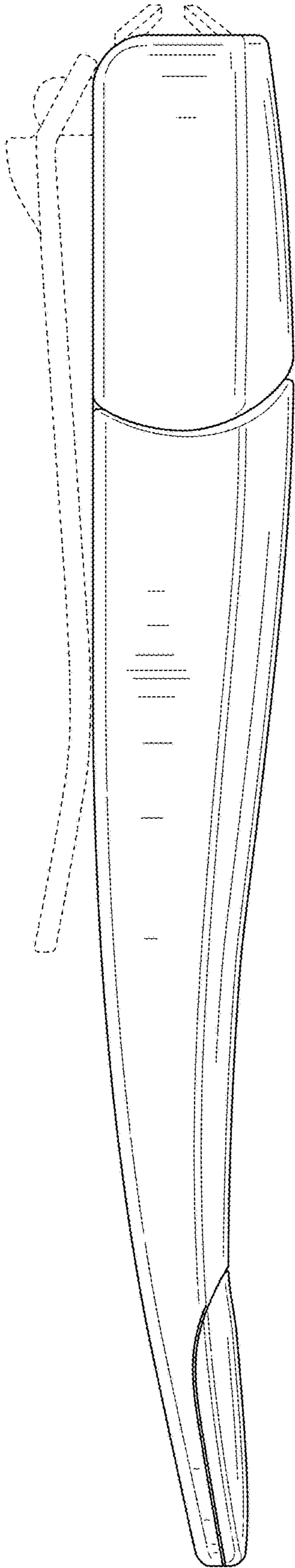


FIG. 4

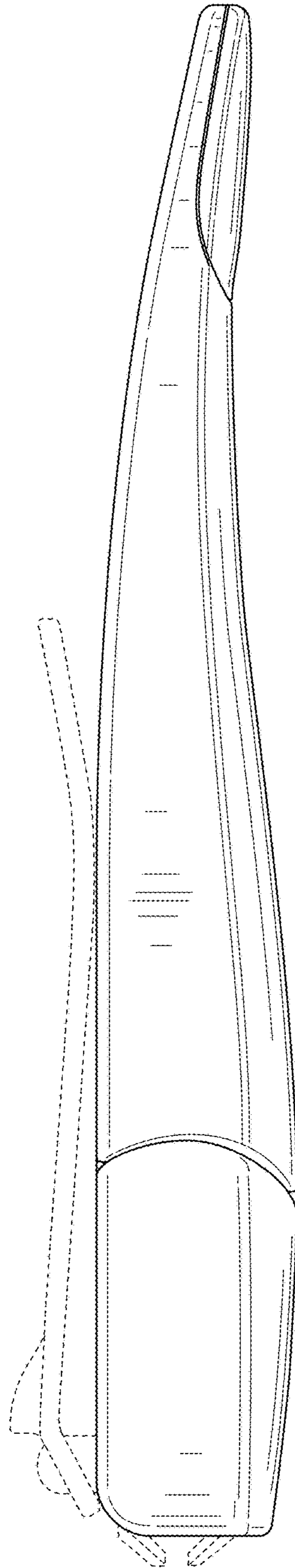


FIG. 5

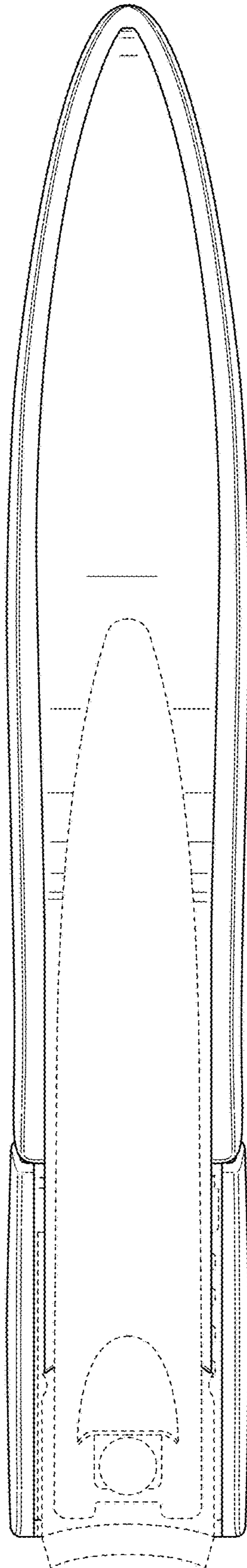


FIG. 6

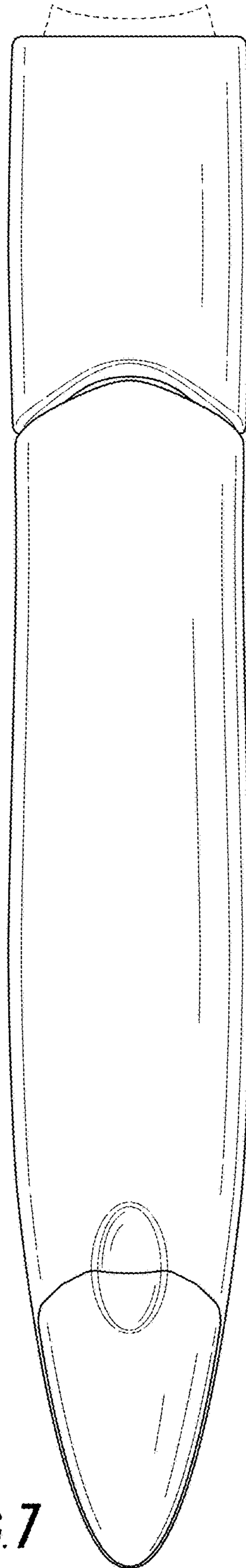


FIG. 7