



US00D788364S

(12) **United States Design Patent**
Chen

(10) **Patent No.:** **US D788,364 S**

(45) **Date of Patent:** **** May 30, 2017**

(54) **DRY HERB VAPORIZER**

(71) Applicant: **Smiss Technology Co., Ltd.**, Shenzhen, Guangdong (CN)

(72) Inventor: **Jiatai Chen**, Guangdong (CN)

(73) Assignee: **SMISS TECHNOLOGY CO., LTD.**, Shenzhen (CN)

(**) Term: **15 Years**

(21) Appl. No.: **29/567,324**

(22) Filed: **Jun. 7, 2016**

(30) **Foreign Application Priority Data**

Jan. 8, 2016 (CN) 2016 3 0005984

(51) **LOC (10) Cl.** **27-02**

(52) **U.S. Cl.**
USPC **D27/163**

(58) **Field of Classification Search**
USPC D27/100, 101, 162, 163-194
CPC A24F 47/00; A24F 47/002; A24B 15/243;
A24B 15/16; A24B 15/167; A61M
11/042; A61M 15/06
See application file for complete search history.

(56) **References Cited**

U.S. PATENT DOCUMENTS

- D347,490 S * 5/1994 Gee D27/194
- D368,552 S * 4/1996 Adams D27/194
- D411,332 S * 6/1999 Zelenik D27/187
- D422,113 S * 3/2000 Higgins D27/186
- D547,440 S * 7/2007 Louet-Feisser D24/110
- D649,708 S * 11/2011 Oneil D27/163
- D690,461 S * 9/2013 Chen D27/187
- 8,689,804 B2 * 4/2014 Fernando A24F 47/008
131/184.1
- 8,881,738 B2 * 11/2014 Bryman A24F 3/00
131/184.2

- D728,855 S * 5/2015 Liu D27/163
- D729,444 S * 5/2015 Leidel D27/163
- D730,572 S * 5/2015 Leidel D27/163
- D736,460 S * 8/2015 McKeon D27/189
- D742,062 S * 10/2015 Almsberger D27/143
- D745,213 S * 12/2015 Alima D27/143
- D748,325 S * 1/2016 Leidel D27/163
- D751,756 S * 3/2016 Hearn D27/189
- D753,336 S * 4/2016 Chen D27/101
- D758,656 S * 6/2016 Freshwater D27/163
- D761,999 S * 7/2016 Liu D27/101

(Continued)

OTHER PUBLICATIONS

Boundless CF hybrid. by Vaposhop. dated 2016. found online [Feb. 8, 2017] https://www.vaposhop.com/vaporizers/portable_vaporizers/boundless-cf-hybrid/.*

Primary Examiner — Robert M Spear

Assistant Examiner — Marissa J Cash

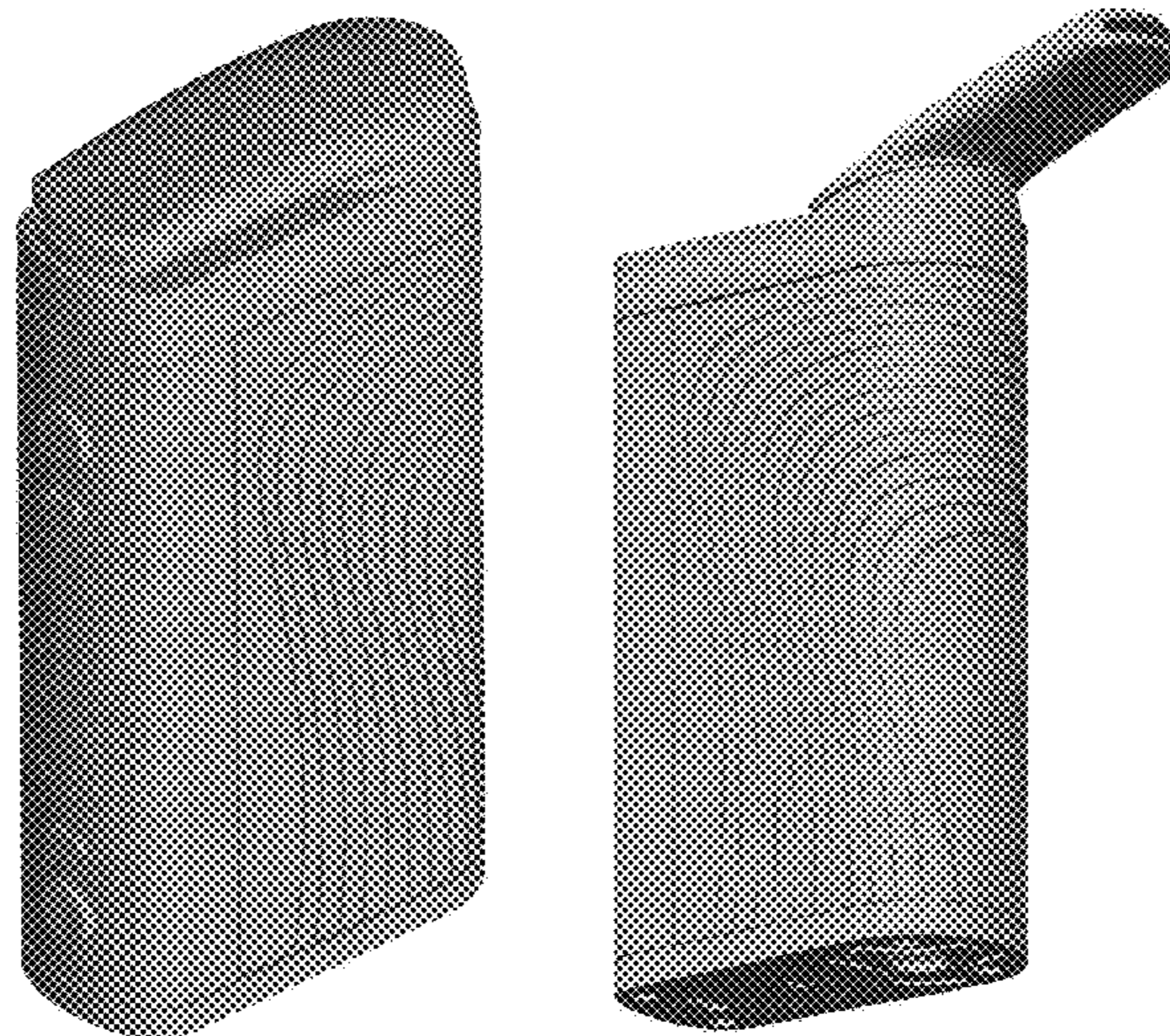
(57) **CLAIM**

The ornamental design for a dry herb vaporizer, as shown and described.

DESCRIPTION

FIG. 1 is a first perspective view of a dry herb vaporizer showing my new design;
 FIG. 2 is a second perspective view thereof;
 FIG. 3 is a third perspective view thereof;
 FIG. 4 is a fourth perspective view thereof showing the dry herb vaporizer in a use state;
 FIG. 5 is a fifth perspective view thereof showing the dry herb vaporizer in a use state;
 FIG. 6 is a sixth perspective view thereof showing the dry herb vaporizer in a use state;
 FIG. 7 is a seventh perspective view thereof showing the dry herb vaporizer in a use state; and,
 FIG. 8 is an eighth perspective view thereof showing the dry herb vaporizer in a use state.

1 Claim, 8 Drawing Sheets



(56)

References Cited

U.S. PATENT DOCUMENTS

D768,331 S * 10/2016 Chen D27/101
D769,520 S * 10/2016 Hua D27/167
D773,114 S * 11/2016 Leidel D27/163
D773,116 S * 11/2016 Liu D27/167
D775,414 S * 12/2016 Ampolini D13/108
D775,762 S * 1/2017 Chen D27/101
2014/0014125 A1* 1/2014 Fernando A24F 47/008
131/328
2014/0283824 A1* 9/2014 Wheelock A61M 11/041
128/202.21
2015/0136124 A1* 5/2015 Aronie A24F 47/008
128/202.21
2016/0120218 A1* 5/2016 Schennum A24F 15/12
206/266
2016/0165955 A1* 6/2016 Horne A45F 5/02
131/328
2016/0213866 A1* 7/2016 Tan A61M 11/005
2016/0271347 A1* 9/2016 Raichman A61M 15/06
2016/0353800 A1* 12/2016 Di Carlo A24F 47/008
2016/0366946 A1* 12/2016 Murison A24F 15/12
2017/0006918 A1* 1/2017 Chen H05B 1/00

* cited by examiner

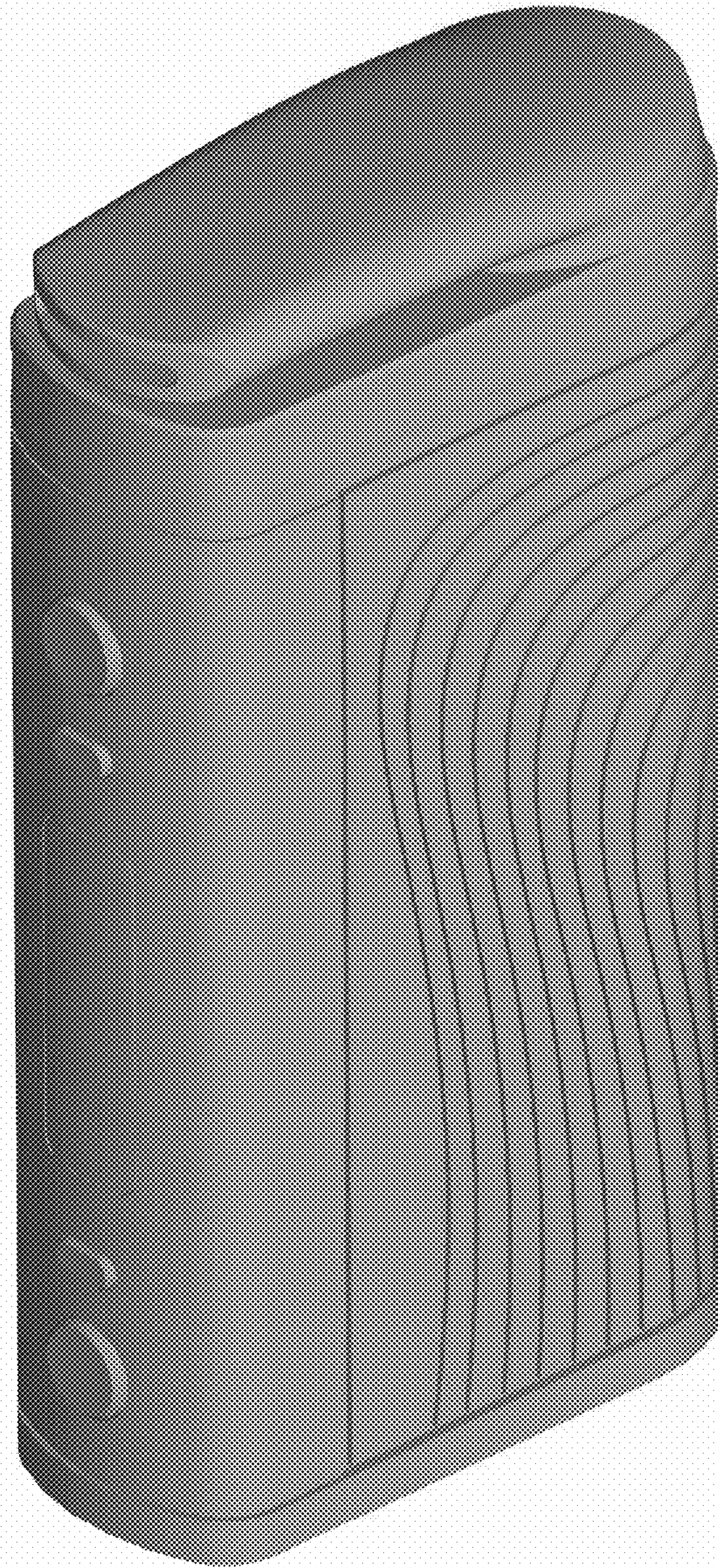


FIG. 1

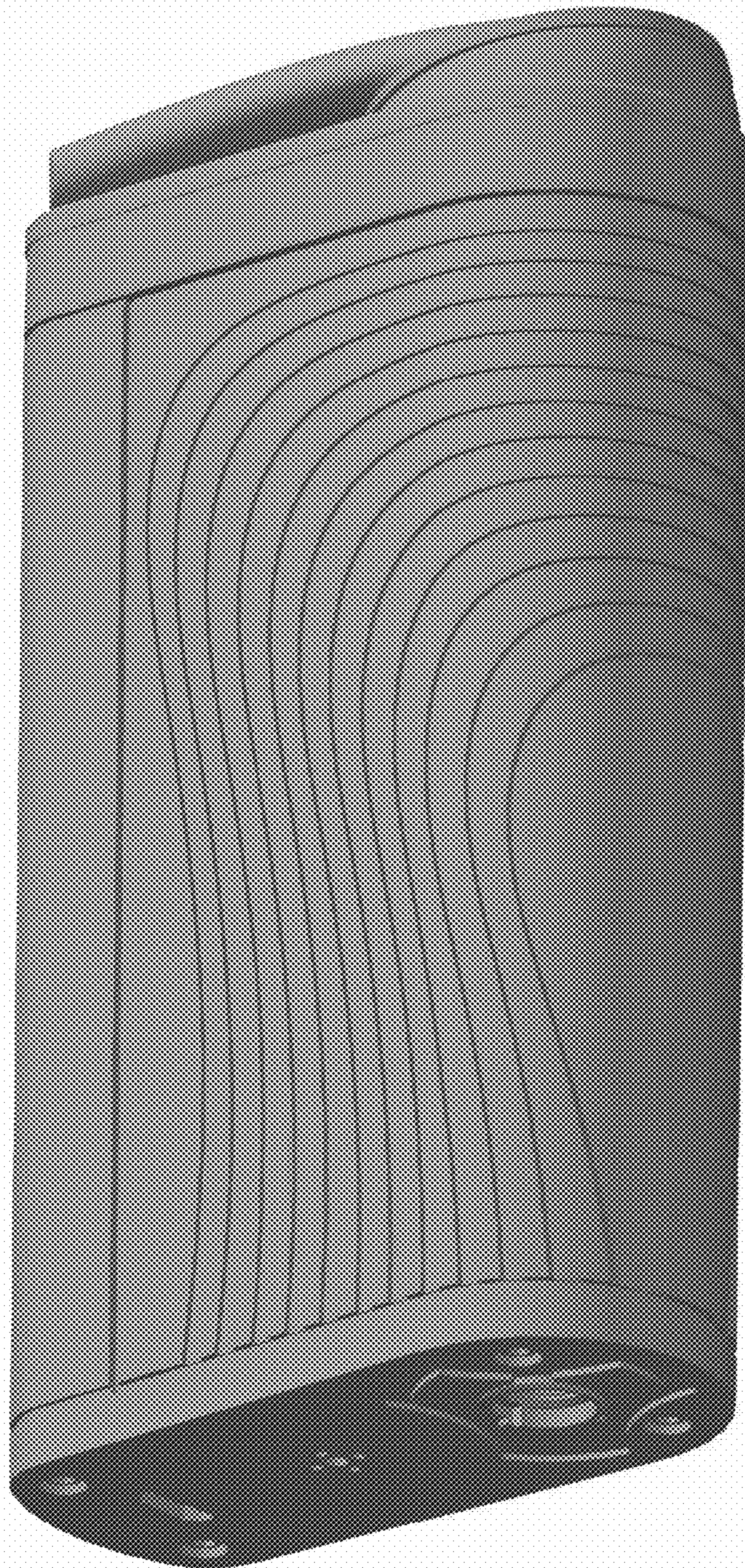


FIG.2

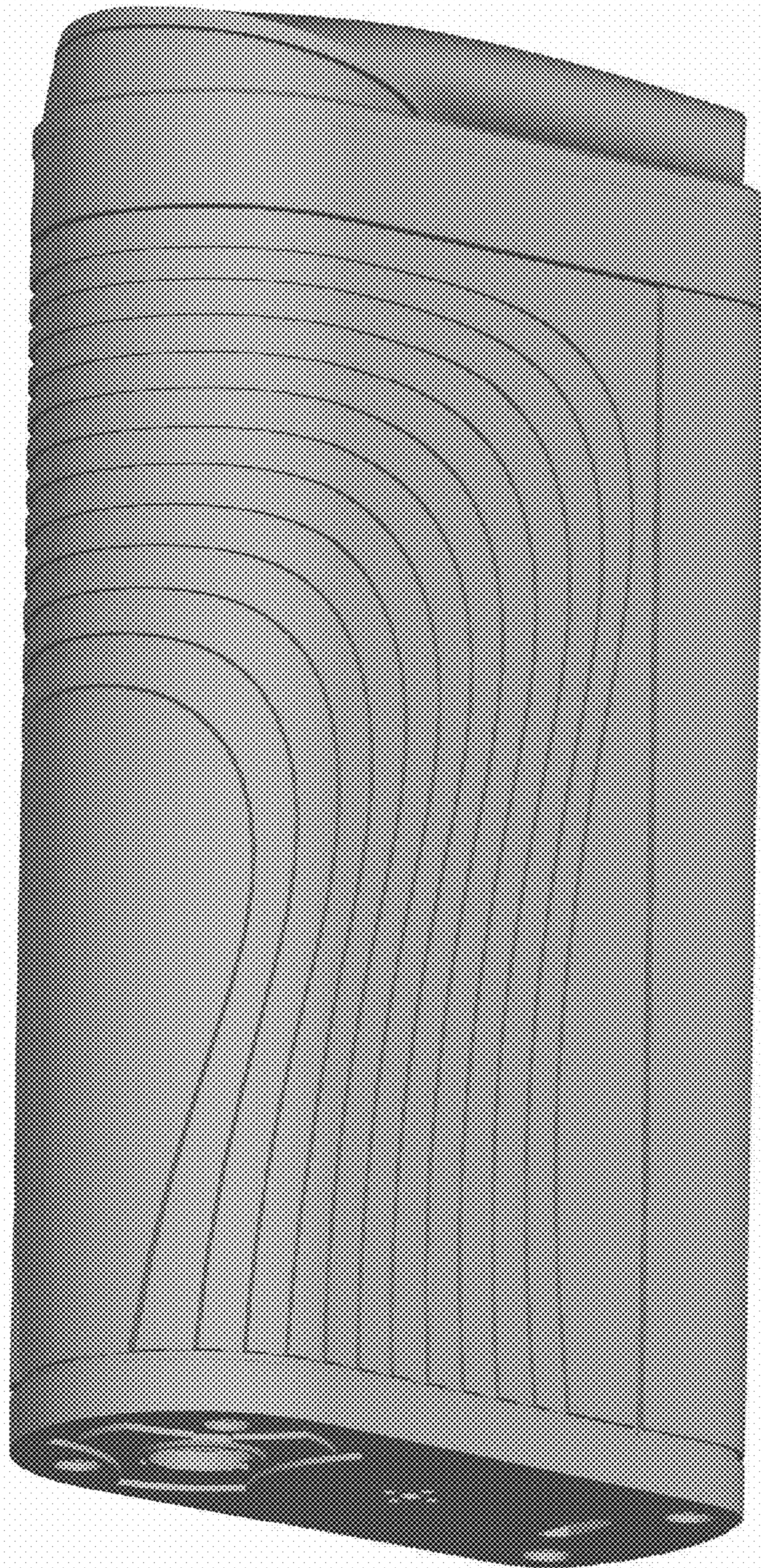


FIG.3

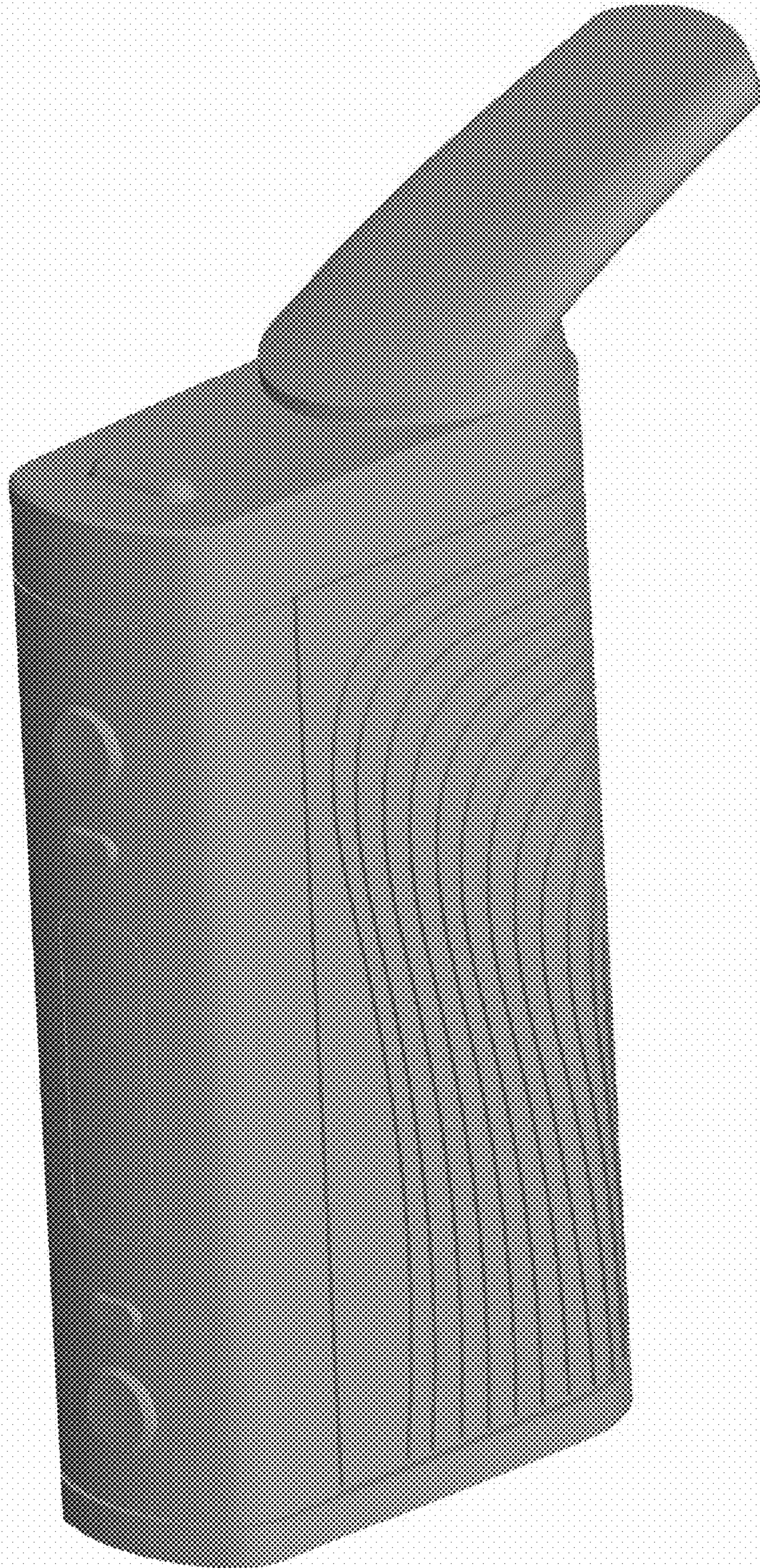


FIG.4

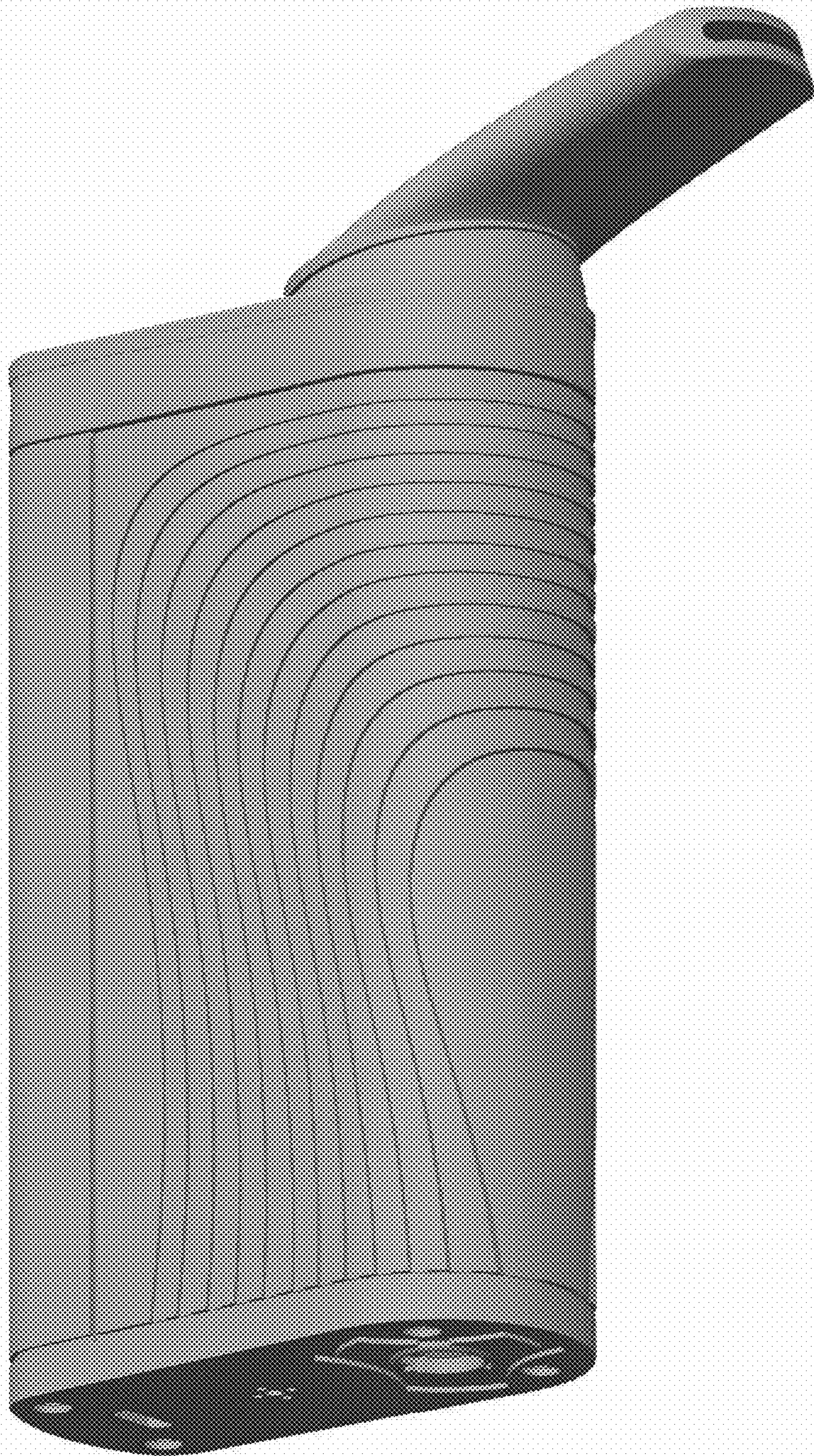


FIG.5

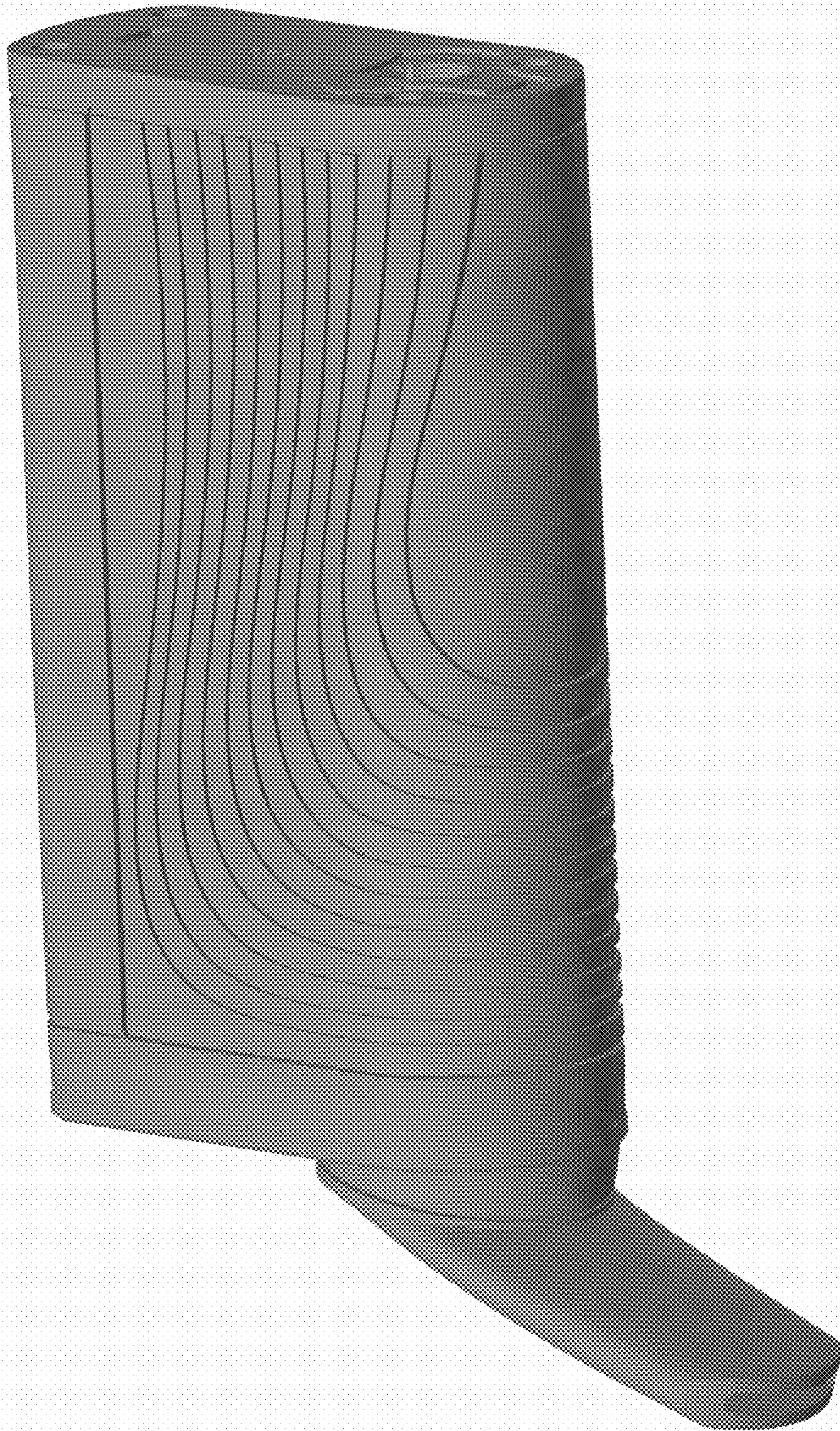


FIG.6

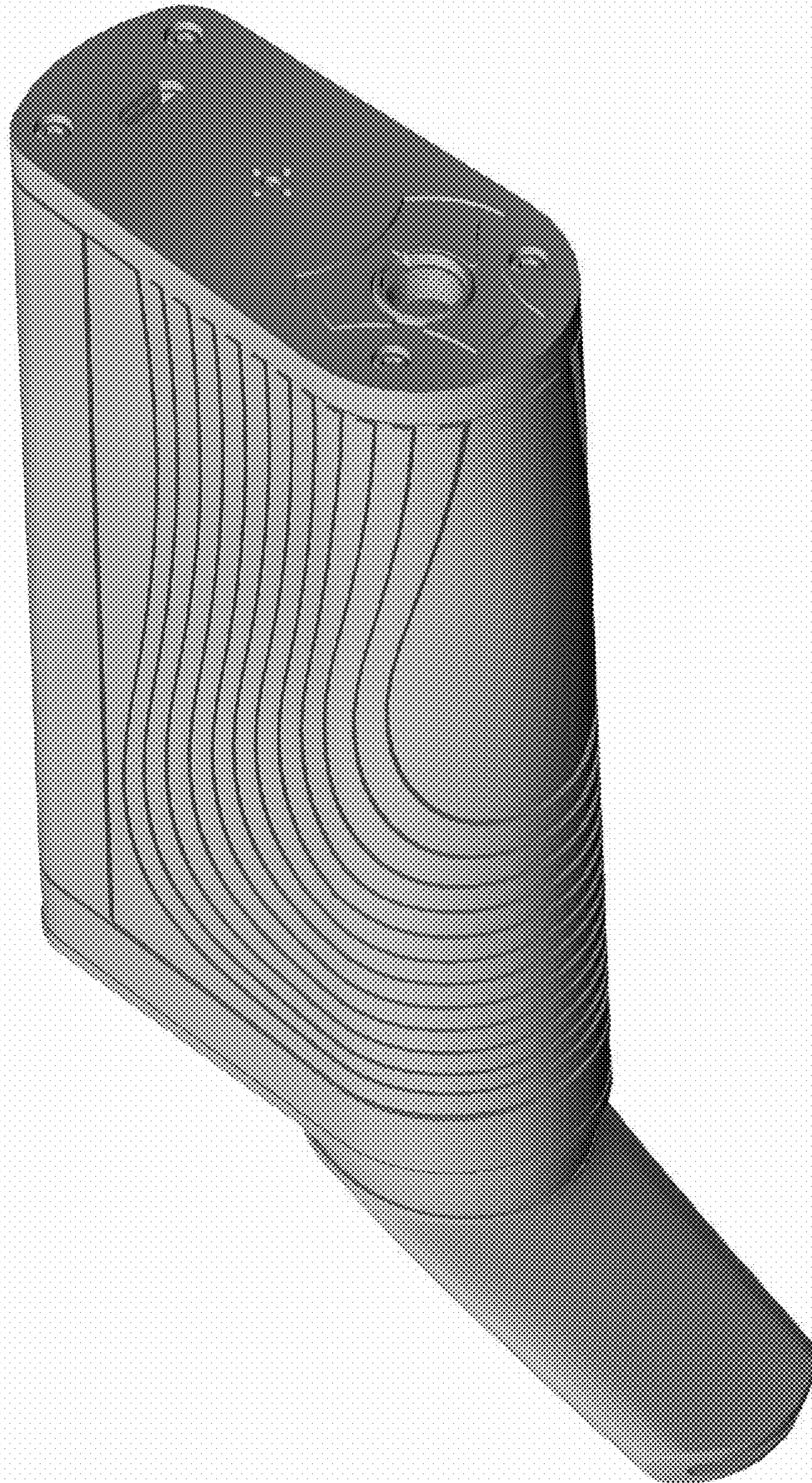


FIG.7

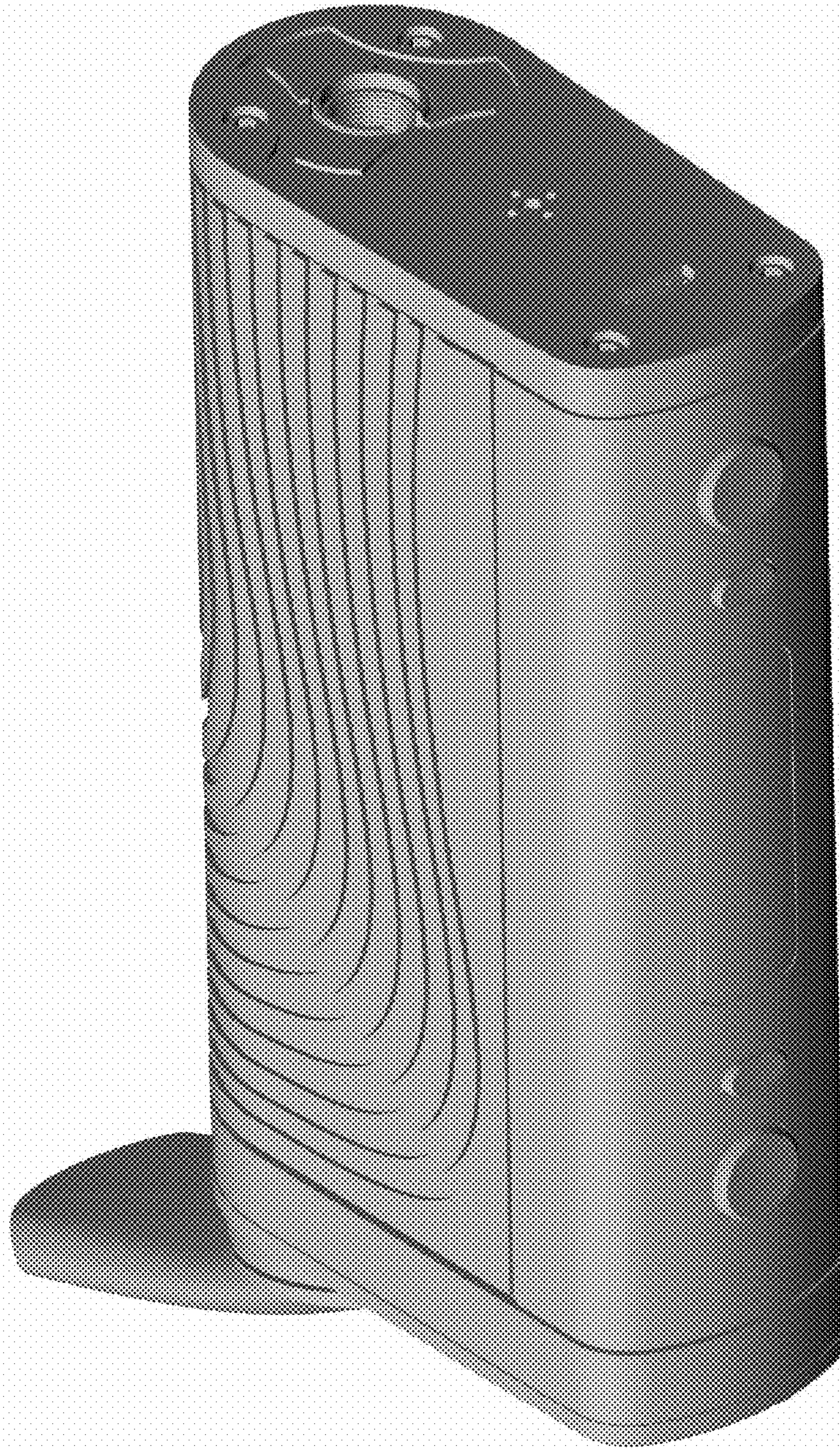


FIG. 8