



US00D788362S

(12) **United States Design Patent** (10) **Patent No.:** **US D788,362 S**
Qiu (45) **Date of Patent:** **** May 30, 2017**

(54) **ELECTRONIC CIGARETTE**
(71) Applicant: **Joyetech Europe Holding GmbH, Zug (CH)**
(72) Inventor: **Weihua Qiu, Jiangsu (CN)**
(73) Assignee: **JOYETECH EUROPE HOLDING GMBH, Zug (CH)**
(**) Term: **15 Years**
(21) Appl. No.: **29/545,189**
(22) Filed: **Nov. 10, 2015**
(30) **Foreign Application Priority Data**

Sep. 6, 2015 (CN) 2015 3 0338923

(51) **LOC (10) Cl.** **27-01**
(52) **U.S. Cl.**
USPC **D27/101**
(58) **Field of Classification Search**
USPC D3/203.1, 203.6; D9/432; D13/118,
D13/119; D27/100, 139, 141, 142, 143,
D27/144, 162, 163, 164, 167, 172-193,
D27/194
CPC A24F 47/00; A24F 47/008; H05B 3/03;
A61M 16/108; A61M 16/10
See application file for complete search history.

(56) **References Cited**

U.S. PATENT DOCUMENTS

D368,552 S * 4/1996 Adams D27/194
D411,332 S * 6/1999 Zelenik D27/187
D421,150 S * 2/2000 Wong D27/141
6,615,840 B1 * 9/2003 Fournier A24F 47/008
131/194
RE38,260 E * 10/2003 Wong F23Q 2/34
D27/141

D553,290 S * 10/2007 Smith D27/143
D577,150 S * 9/2008 Bryman D27/163
D649,708 S * 11/2011 Oneil D27/163
D695,391 S * 12/2013 Takemoto D24/113
D728,855 S * 5/2015 Liu D27/163
D729,444 S * 5/2015 Leidel D27/163
D731,114 S * 6/2015 Leidel D27/163
D733,356 S * 6/2015 Leidel D27/163
D742,062 S * 10/2015 Almsberger D27/143
D743,099 S * 11/2015 Oglesby D27/101
D745,213 S * 12/2015 Alima D27/143
D748,325 S * 1/2016 Leidel D27/163
D751,756 S * 3/2016 Hearn D27/189
D758,656 S * 6/2016 Freshwater D27/163
2010/0313901 A1 * 12/2010 Fernando A24F 47/008
131/330
2014/0014125 A1 * 1/2014 Fernando A24F 47/008
131/328
2014/0217085 A1 * 8/2014 Alima F23Q 7/16
219/474

(Continued)

Primary Examiner — Robert M Spear
Assistant Examiner — Marissa J Cash
(74) *Attorney, Agent, or Firm* — Novick, Kim & Lee,
PLLC; Allen Xue

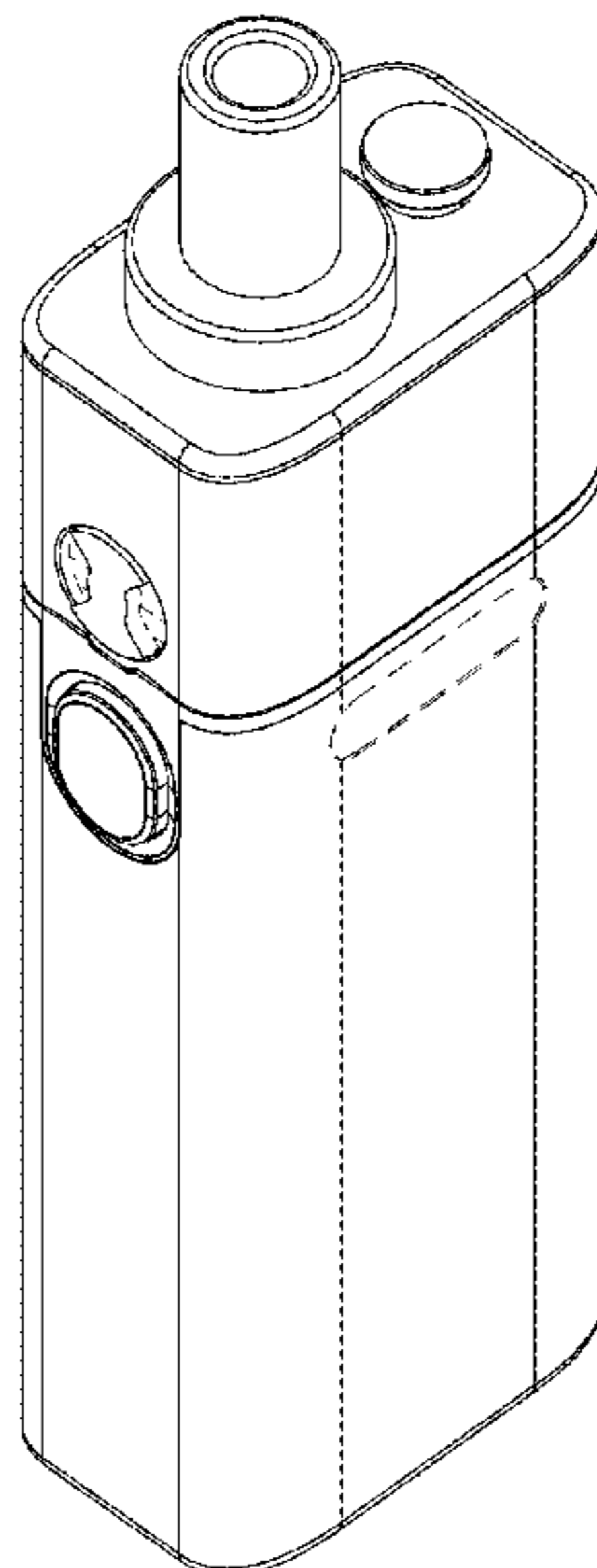
(57) **CLAIM**

I claim the ornamental design for an electronic cigarette, substantially as shown and described.

DESCRIPTION

FIG. 1 is a front view of an electronic cigarette;
FIG. 2 is a bottom view thereof;
FIG. 3 is a top view thereof;
FIG. 4 is a right view thereof;
FIG. 5 is a rear view thereof;
FIG. 6 is a left view thereof; and,
FIG. 7 is a top, right, rear perspective view thereof.
The broken lines in the drawings are directed to environment and form no part of the claimed design.

1 Claim, 7 Drawing Sheets



(56)

References Cited

U.S. PATENT DOCUMENTS

2015/0114410 A1* 4/2015 Doster A24F 47/008
131/329

* cited by examiner

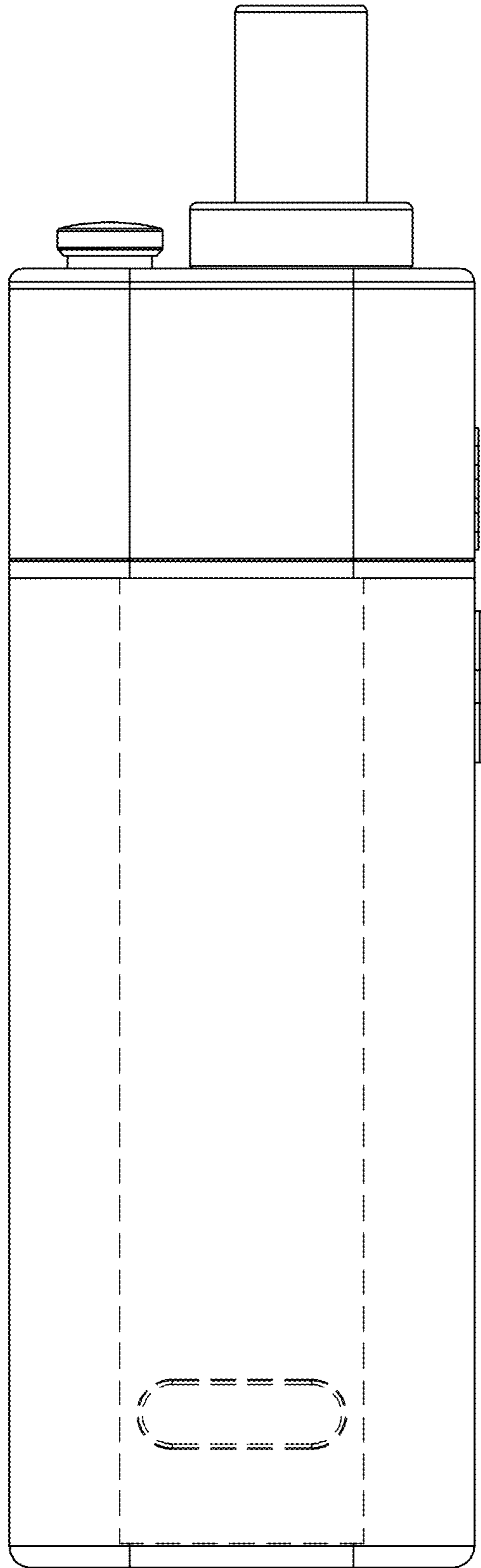


FIG. 1

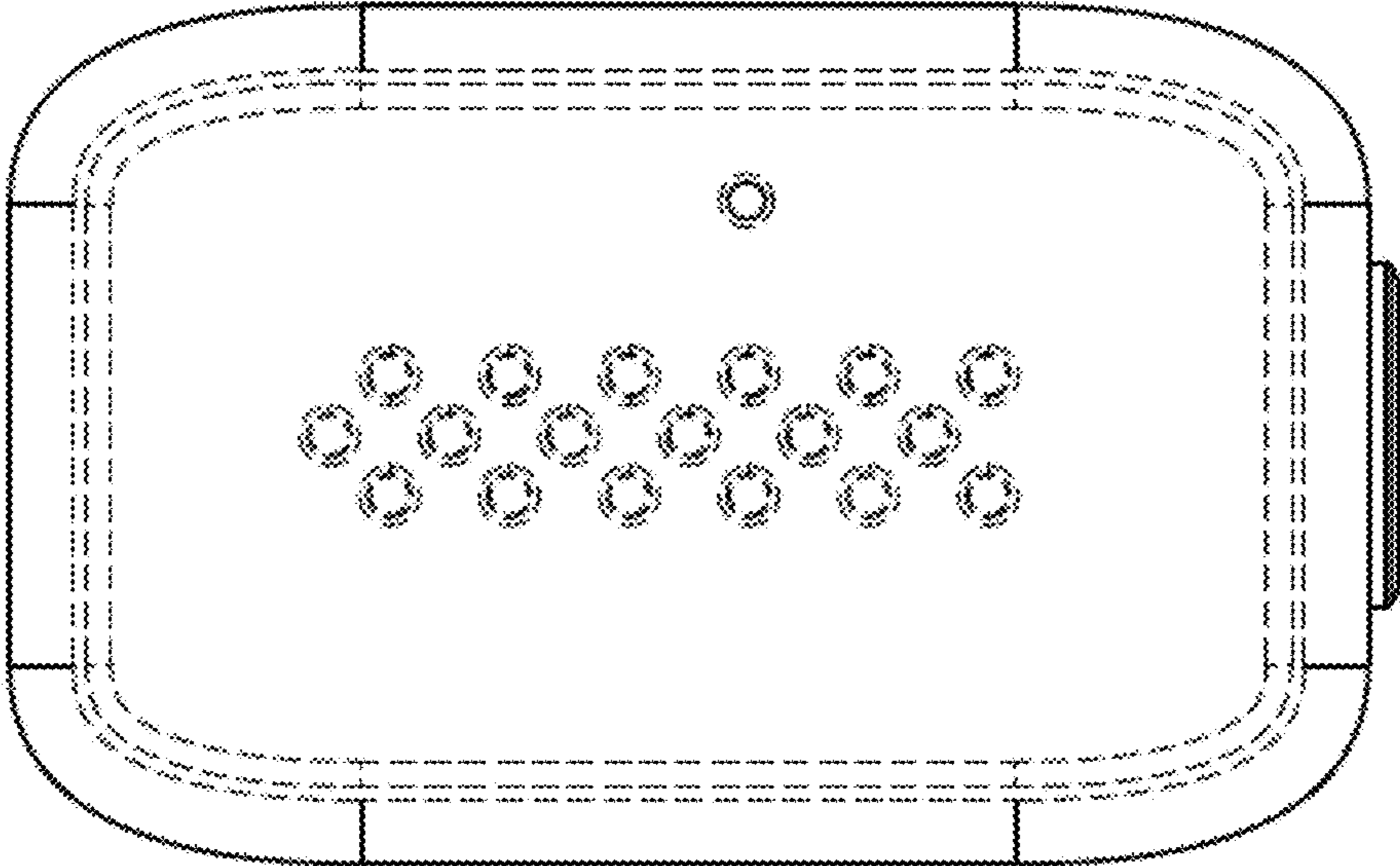


FIG. 2

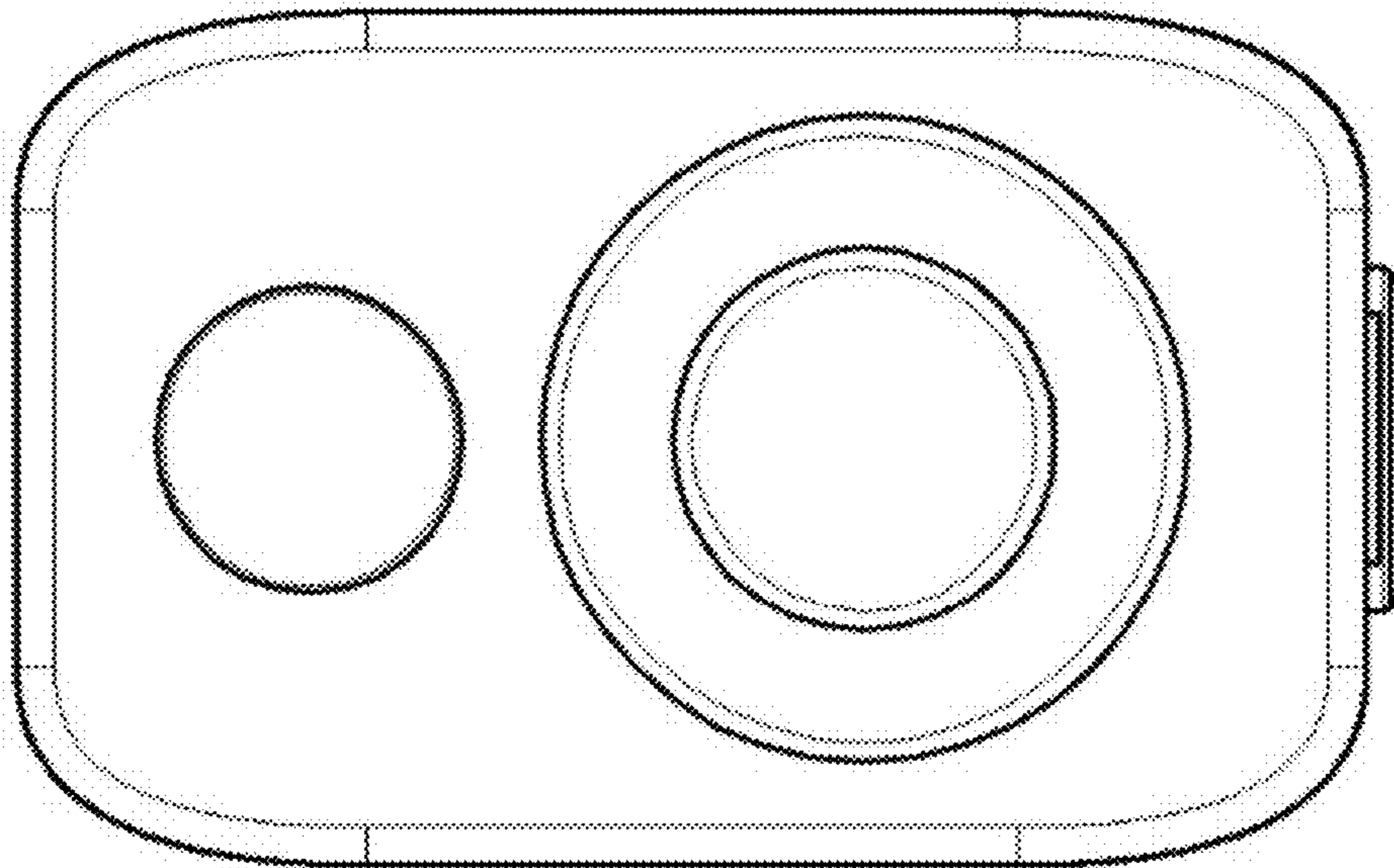


FIG. 3

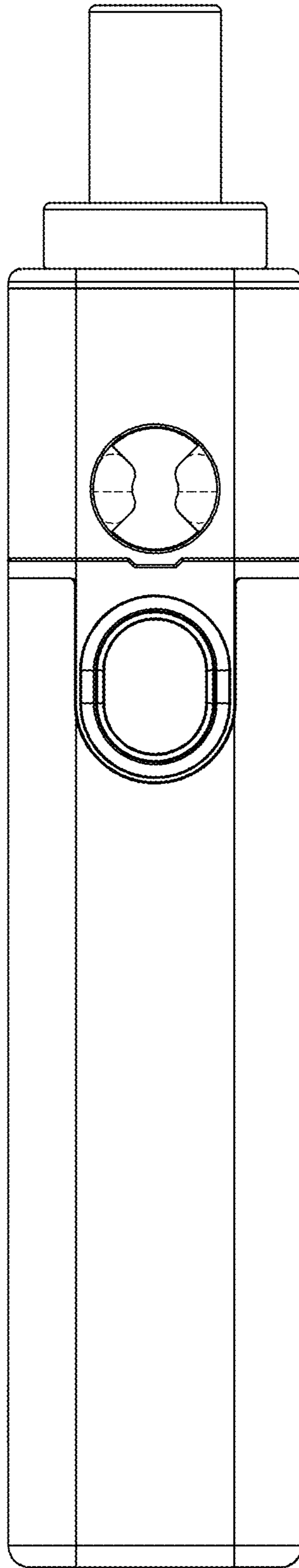


FIG. 4

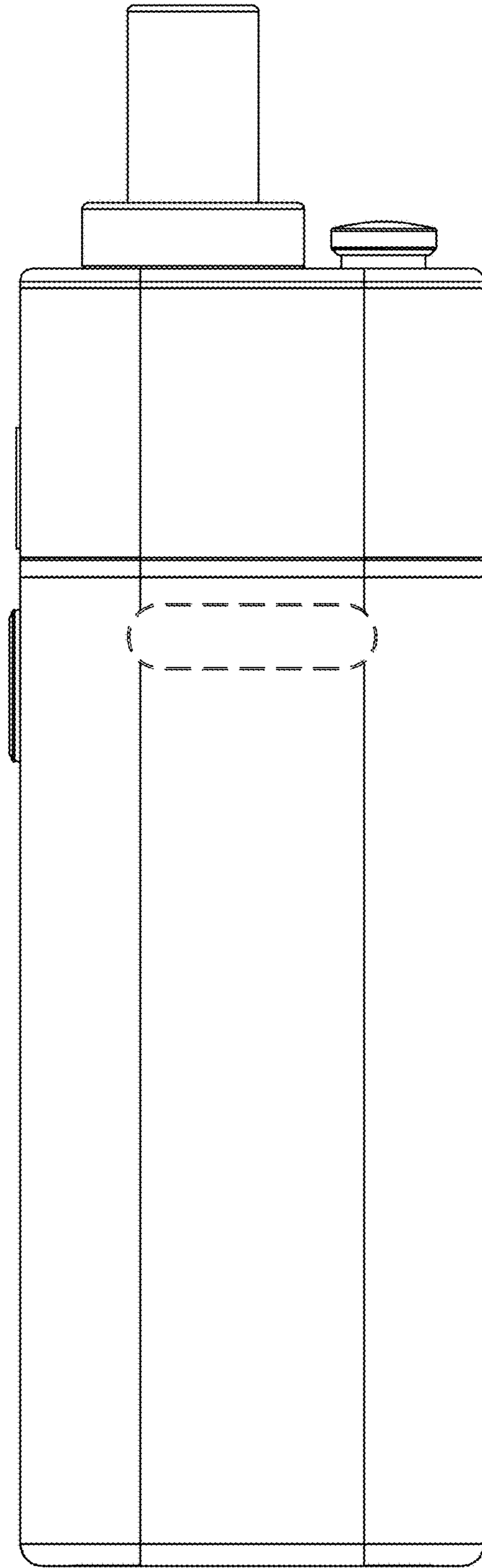


FIG. 5

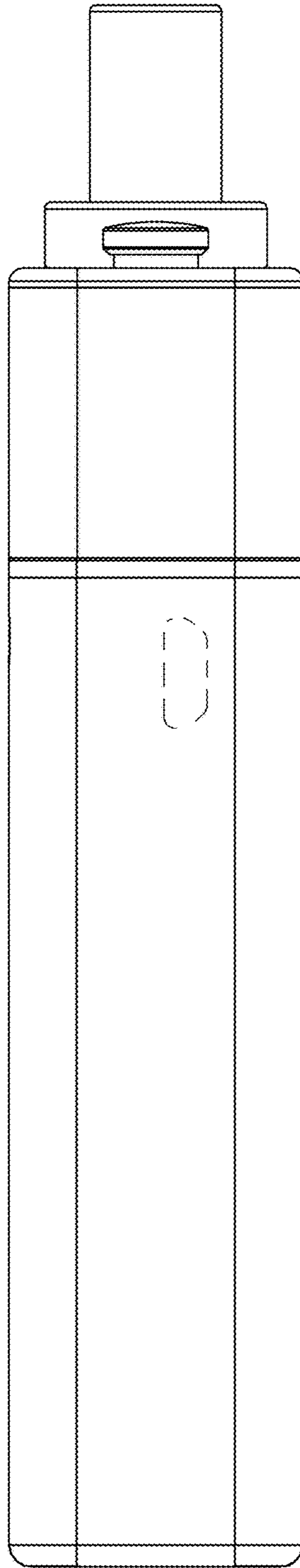


FIG. 6

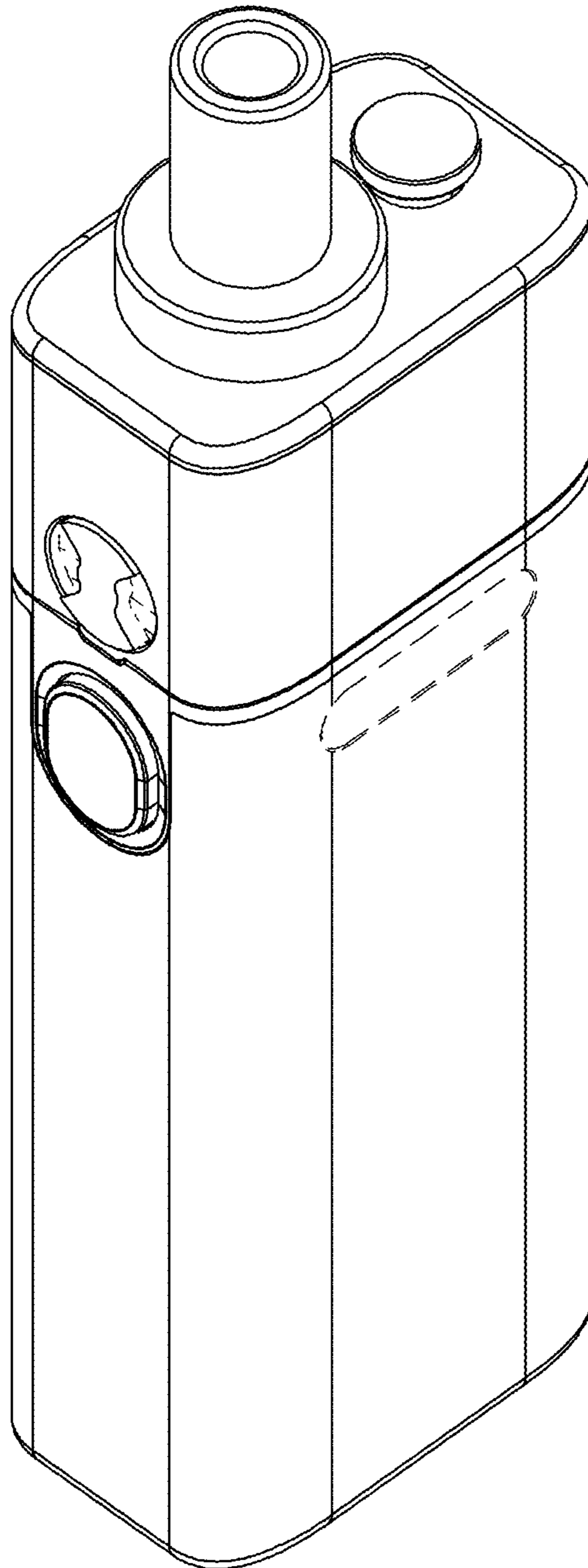


FIG. 7