



US00D788361S

(12) **United States Design Patent** (10) **Patent No.:** **US D788,361 S**
Reynolds (45) **Date of Patent:** **** May 30, 2017**

(54) **LIGHT FIXTURE**

FOREIGN PATENT DOCUMENTS

(71) Applicant: **IP Holdings, LLC**, Vancouver, WA
(US)

CN ZL 201430166983.7 4/2015
CN ZL 201530131007.2 7/2015

(72) Inventor: **Christopher Reynolds**, Vancouver, WA
(US)

OTHER PUBLICATIONS

(73) Assignee: **IP Holdings, LLC**, Vancouver, WA
(US)

Horticultural Lights, image post date Jul. 7, 2014, site visited Sep. 30, 2015 (online), <<http://web.archive.org/web/20140707223459/http://www.kindgreenbuds.com/cannabis-grow-bible/best-lighting-systems/>>.

(**) Term: **15 Years**

(Continued)

(21) Appl. No.: **29/542,729**

Primary Examiner — George D Kirschbaum

(22) Filed: **Oct. 16, 2015**

Assistant Examiner — Natasha Vujcic

(51) **LOC (10) Cl.** **26-99**

(74) *Attorney, Agent, or Firm* — J. Douglas Wells

(52) **U.S. Cl.**

(57) **CLAIM**

USPC **D26/142**

The ornamental design for a light fixture, as shown and described.

(58) **Field of Classification Search**

DESCRIPTION

USPC D26/76, 78, 79, 80, 81, 82, 83, 85, 88,
D26/90, 93, 110, 118, 119, 120, 121, 122,
D26/138, 140–142

CPC F21S 4/00; F21S 4/003; F21S 4/006; F21S
4/007; F21S 4/008; F21S 6/004; F21S
6/005; F21K 9/54; F21V 15/01; F21V
15/013

See application file for complete search history.

FIG. 1 is a perspective view of a light fixture, as viewed from below, showing my new design;
FIG. 2 is a perspective view of the light fixture shown in FIG. 1, as viewed from above;
FIG. 3 is a left side view of the light fixture shown in FIG. 1;
FIG. 4 is a right side view of the light fixture shown in FIG. 1;
FIG. 5 is a front elevation view of the light fixture shown in FIG. 1;
FIG. 6 is a rear elevation view of the light fixture shown in FIG. 1;
FIG. 7 is a top plan view of the light fixture shown in FIG. 1; and,
FIG. 8 is a bottom plan view of the light fixture shown in FIG. 1.

(56) **References Cited**

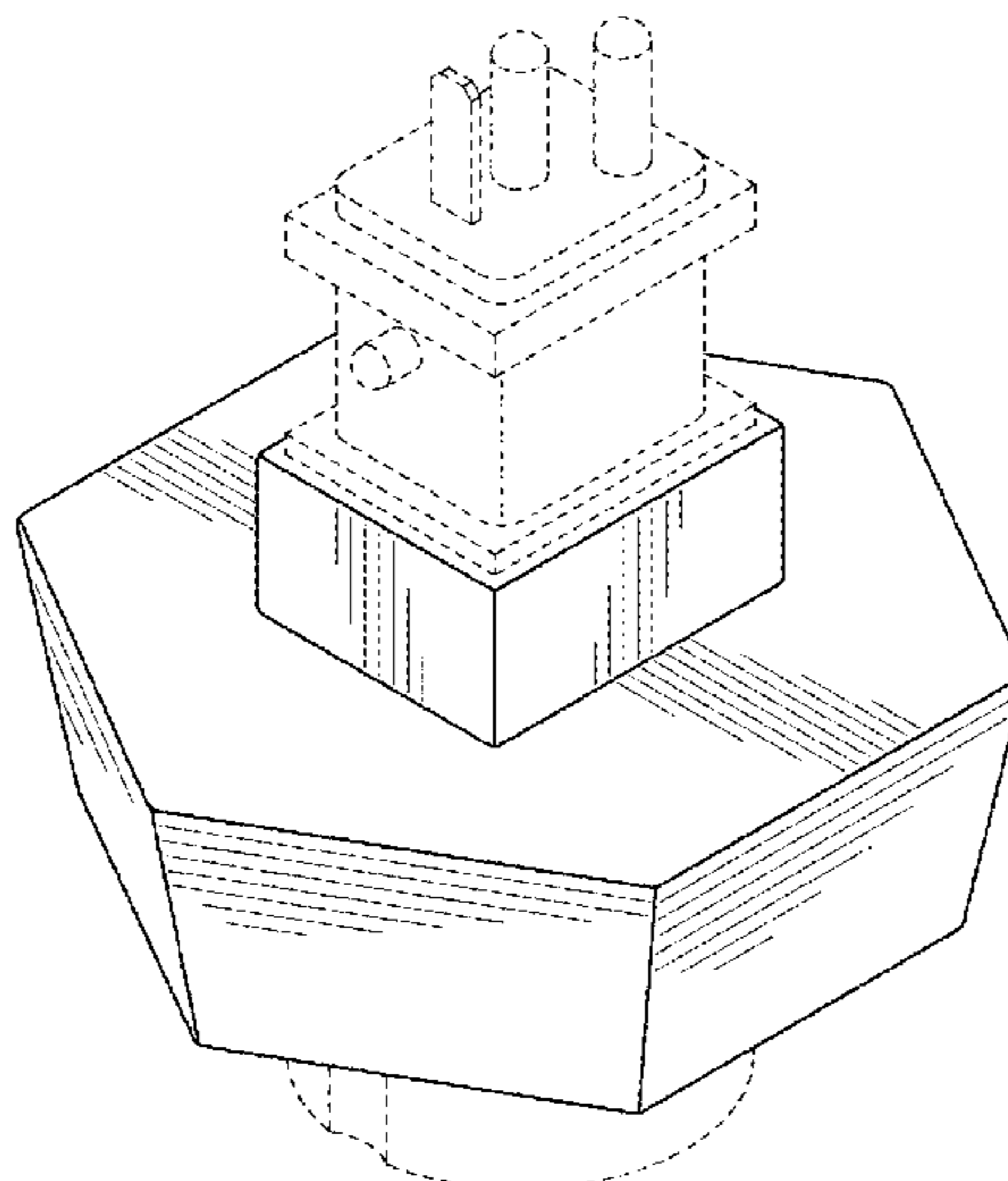
U.S. PATENT DOCUMENTS

D106,614 S	10/1937	Waterbury	
D123,768 S	12/1940	Scribner	
D132,786 S	6/1942	Netting	
D133,216 S	7/1942	Parlato	
D135,375 S	3/1943	Biller	
D143,061 S	12/1945	Creed	
D156,014 S	11/1949	Lazerson	
2,740,883 A	4/1956	Michael	
3,272,978 A	9/1966	Jackson	
4,183,167 A *	1/1980	Jatich	A63F 9/0073 446/118

The broken lines in the drawings illustrate portions of the light fixture which forms no part of the claimed design.

(Continued)

1 Claim, 4 Drawing Sheets



(56)

References Cited

U.S. PATENT DOCUMENTS

D264,440 S * 5/1982 Austin D9/431
 D268,287 S 3/1983 Boschetti
 4,531,180 A 7/1985 Hernandez
 4,773,622 A * 9/1988 Herlin G09F 1/06
 229/110
 4,779,178 A 10/1988 Spitz
 4,814,954 A 3/1989 Spitz
 4,933,821 A 6/1990 Anderson
 D311,597 S 10/1990 Poot
 D323,897 S 2/1992 Compton
 D352,126 S 11/1994 Ruud
 D377,234 S 1/1997 Roberts
 D379,779 S * 6/1997 Shryock D11/143
 D413,176 S 8/1999 Mier-Langer
 5,937,553 A * 8/1999 Maran G09F 1/06
 40/124.08
 D447,272 S 8/2001 Smith
 D456,938 S 5/2002 Wardenburg
 D459,825 S 7/2002 Field
 D465,049 S 10/2002 Ludwig
 D469,564 S 1/2003 Brok
 6,527,422 B1 3/2003 Hutchinson
 6,595,662 B2 7/2003 Wardenburg
 D542,460 S 5/2007 Hargreaves
 D543,652 S 5/2007 Hargreaves
 D543,654 S 5/2007 Hargreaves
 D544,131 S 6/2007 Blackman
 D544,139 S 6/2007 Hargreaves
 D544,626 S 6/2007 Hargreaves
 D544,983 S 6/2007 Hargreaves
 D544,984 S 6/2007 Hargreaves
 D544,985 S 6/2007 Hargreaves
 D544,987 S 6/2007 Hargreaves
 D544,995 S 6/2007 Hargreaves
 D545,484 S 6/2007 Hargreaves
 D545,994 S * 7/2007 Hargreaves D26/118
 D547,886 S * 7/2007 Foo D26/2
 D586,030 S 2/2009 Genova
 7,524,090 B2 4/2009 Hargreaves
 D613,900 S 4/2010 Hargreaves
 D614,801 S 4/2010 Collins
 D615,698 S * 5/2010 Weiss D26/142
 7,722,208 B1 5/2010 Dupre
 7,722,228 B2 5/2010 Broer
 D632,027 S * 2/2011 Johnston D30/121
 D634,060 S 3/2011 Wardenburg
 D634,468 S 3/2011 Hargreaves
 D634,469 S 3/2011 Hargreaves
 D637,162 S 5/2011 Bridgman
 D637,752 S 5/2011 Mekhtarian

7,959,331 B2 6/2011 Ho
 7,972,044 B2 7/2011 Burkhauser
 8,209,912 B2 7/2012 Hargreaves
 D669,204 S 10/2012 Snell
 D670,850 S 11/2012 Helenowski
 D672,911 S 12/2012 Mayfield
 D675,369 S 1/2013 Michaud
 8,348,481 B2 1/2013 Chang
 D676,185 S 2/2013 Piepgras
 D678,599 S 3/2013 Boyer
 D683,064 S * 5/2013 Tuck D26/118
 D698,987 S 2/2014 Stanley
 D713,093 S * 9/2014 Sun D26/142
 D725,819 S 3/2015 Reynolds
 9,010,970 B2 4/2015 Guercio
 9,016,907 B2 4/2015 Stanley
 D731,701 S 6/2015 Hargreaves
 D732,233 S 6/2015 Reynolds
 D732,235 S 6/2015 Reynolds
 D732,236 S 6/2015 Reynolds
 D736,450 S 8/2015 Reynolds
 D737,134 S 8/2015 Thompson
 D737,498 S 8/2015 Stanley
 9,110,209 B2 8/2015 Blessitt
 D738,943 S * 9/2015 Dodds D15/144
 D739,595 S 9/2015 Reynolds
 D751,244 S 3/2016 Reynolds
 D769,513 S * 10/2016 Reynolds D26/118
 2001/0023173 A1 9/2001 Schiedegger
 2002/0141195 A1 10/2002 Peter
 2008/0205030 A1 8/2008 Hargreaves
 2008/0205071 A1 8/2008 Townsley
 2008/0219008 A1 9/2008 Schaefer
 2008/0278950 A1 11/2008 Pickard
 2009/0262540 A1 10/2009 Hargreaves
 2009/0323335 A1 12/2009 Yang
 2013/0083539 A1 4/2013 Dimitriadis
 2013/0176750 A1 * 7/2013 Ray F21V 23/06
 362/647
 2015/0082692 A1 3/2015 Wardenburg
 2015/0252993 A1 9/2015 Stanley

OTHER PUBLICATIONS

Horticultural Lighting, image post date Sep. 2008, site visted Sep. 30, 2015, (online), <<http://www.dendroboard.com/forum/sponsor-classifieds/104681-grow-your-own-plants-horticulture-neherp.html>>.
 Steel S Section, image post date Aug. 30, 2000, site visted Sep. 30, 2015 (online), <<http://web.archive.org/web/20000830093120/http://www.efunda.com/math/areas/RolledSteelBeamsS.cfm>>.

* cited by examiner

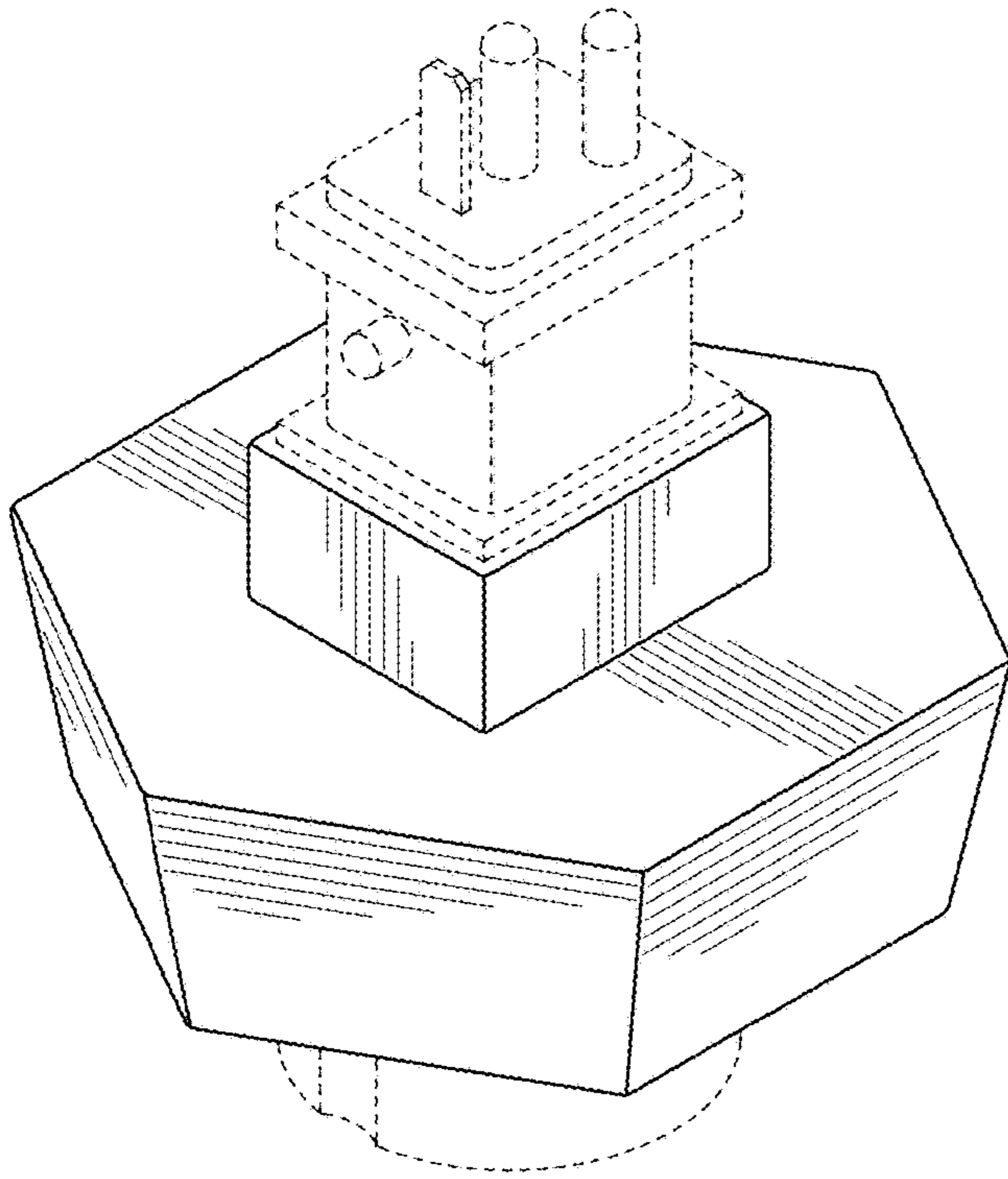


FIG. 1

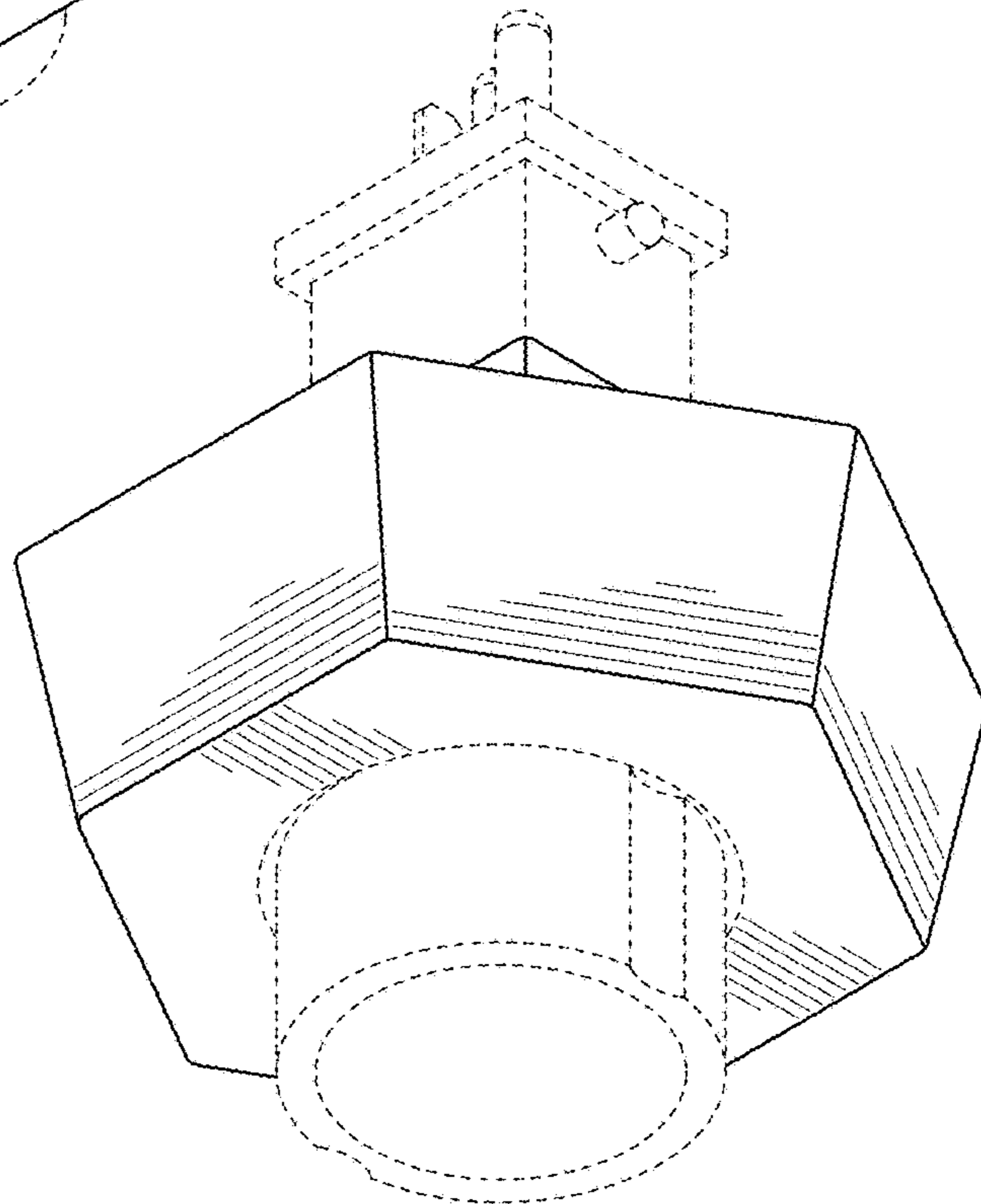


FIG. 2

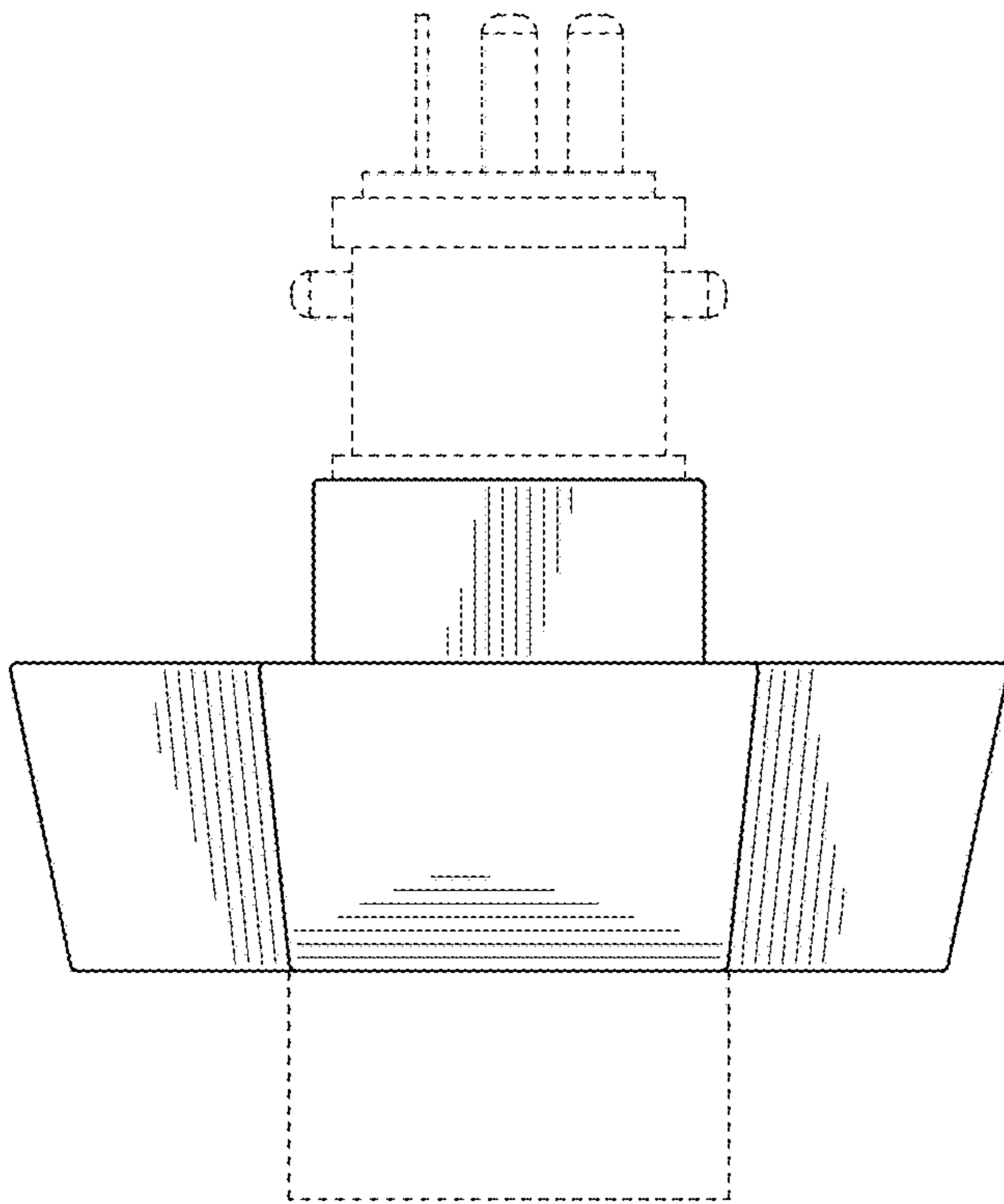


FIG. 3

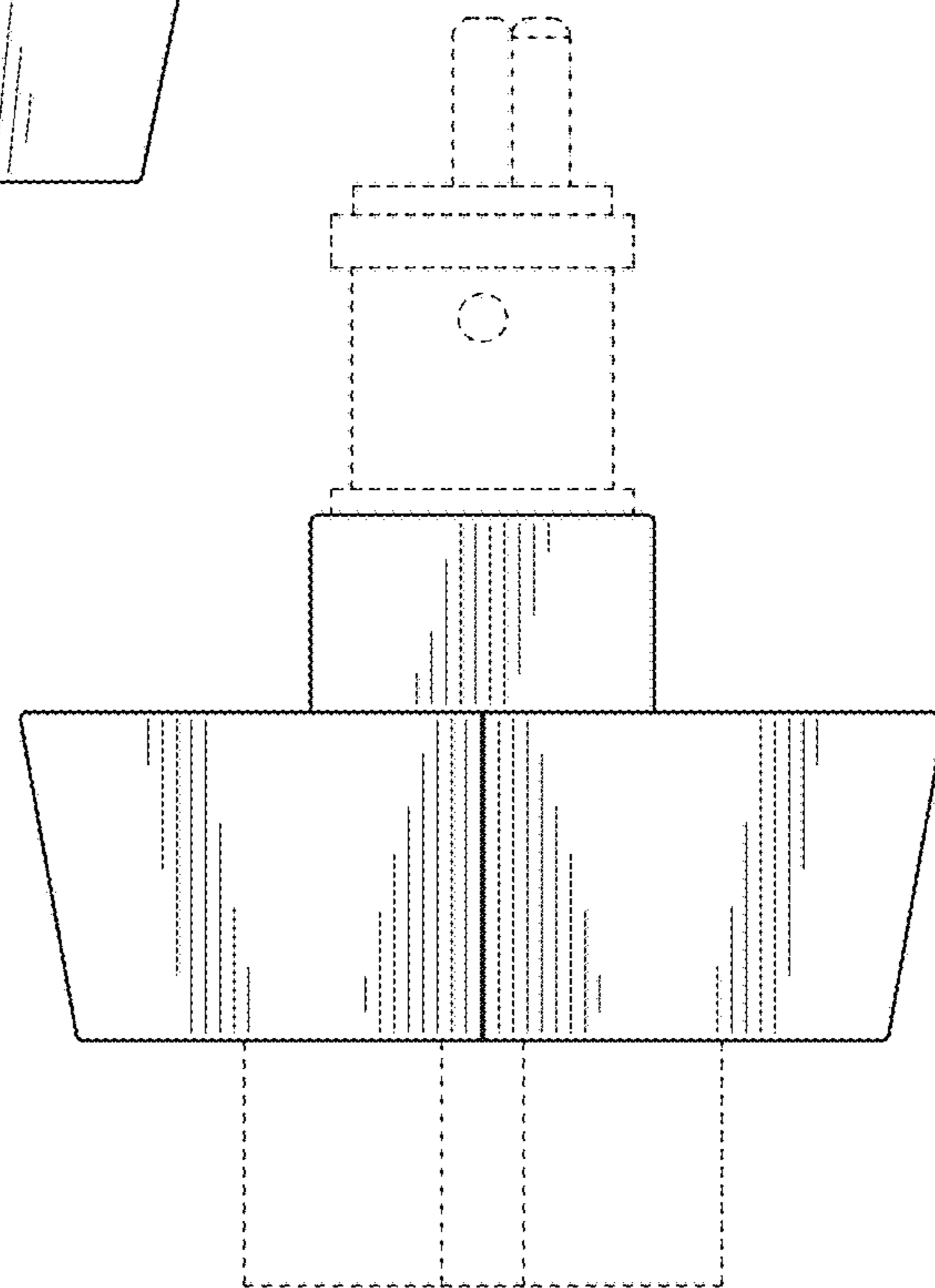


FIG. 4

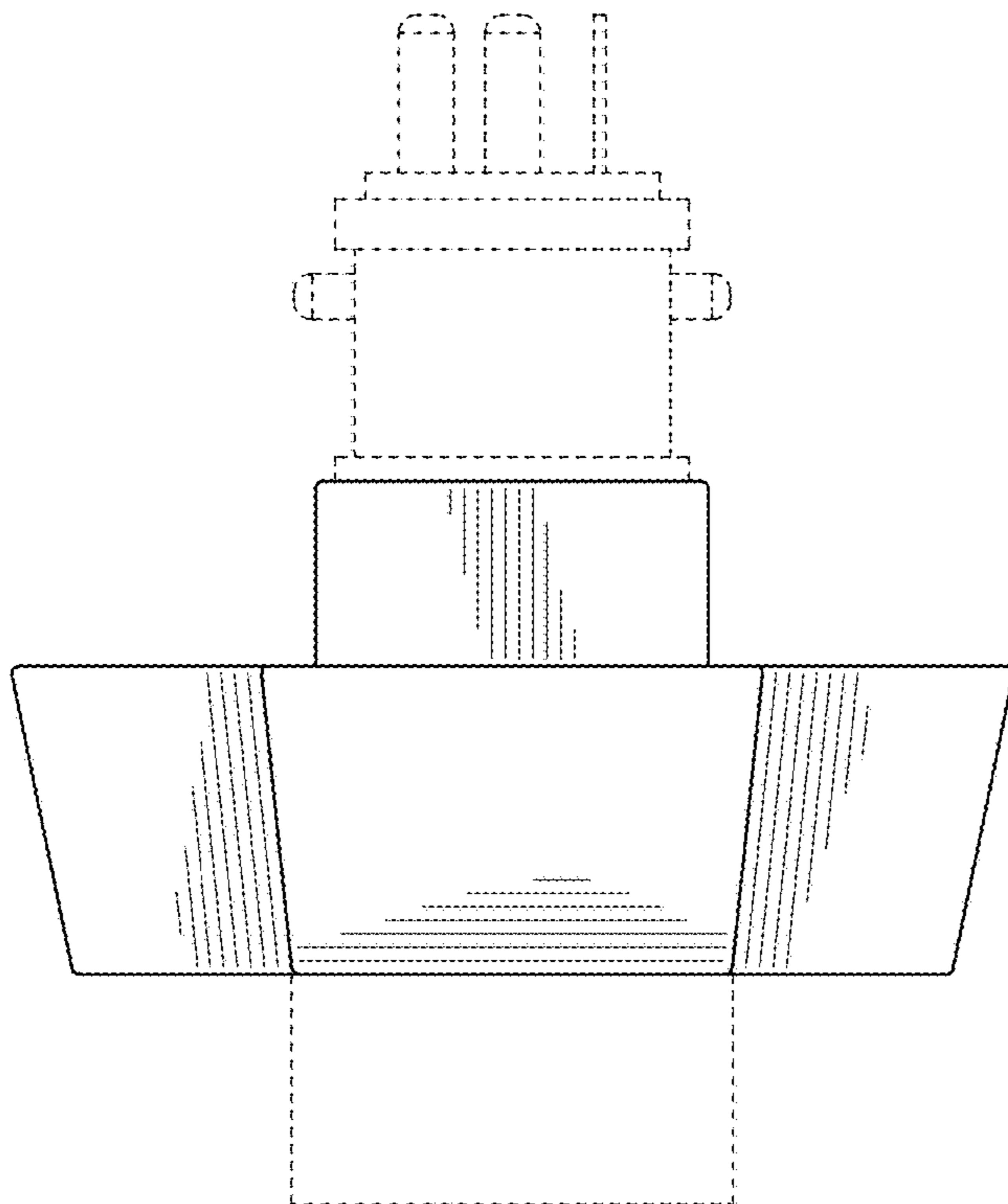


FIG. 5

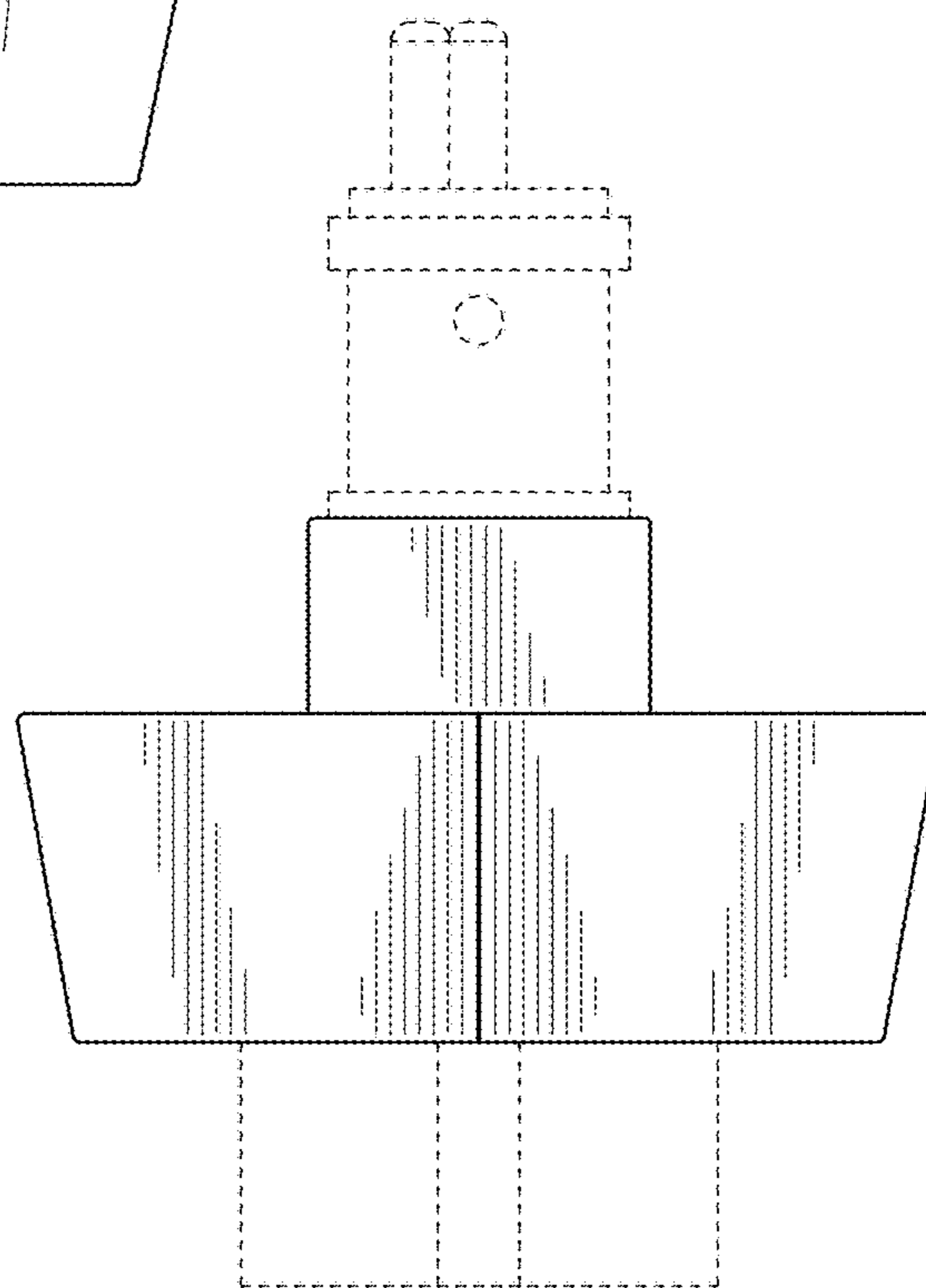


FIG. 6

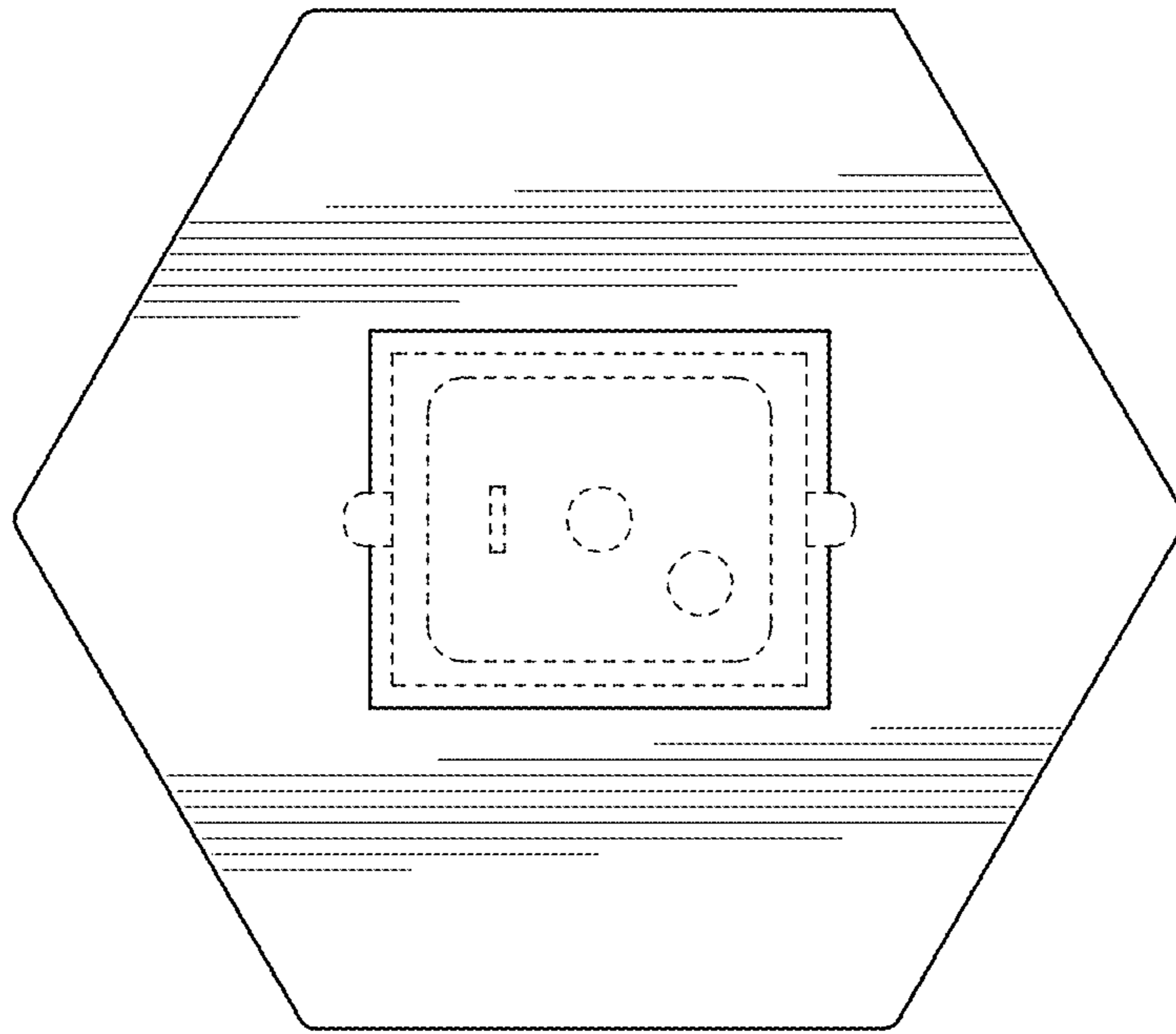


FIG. 7

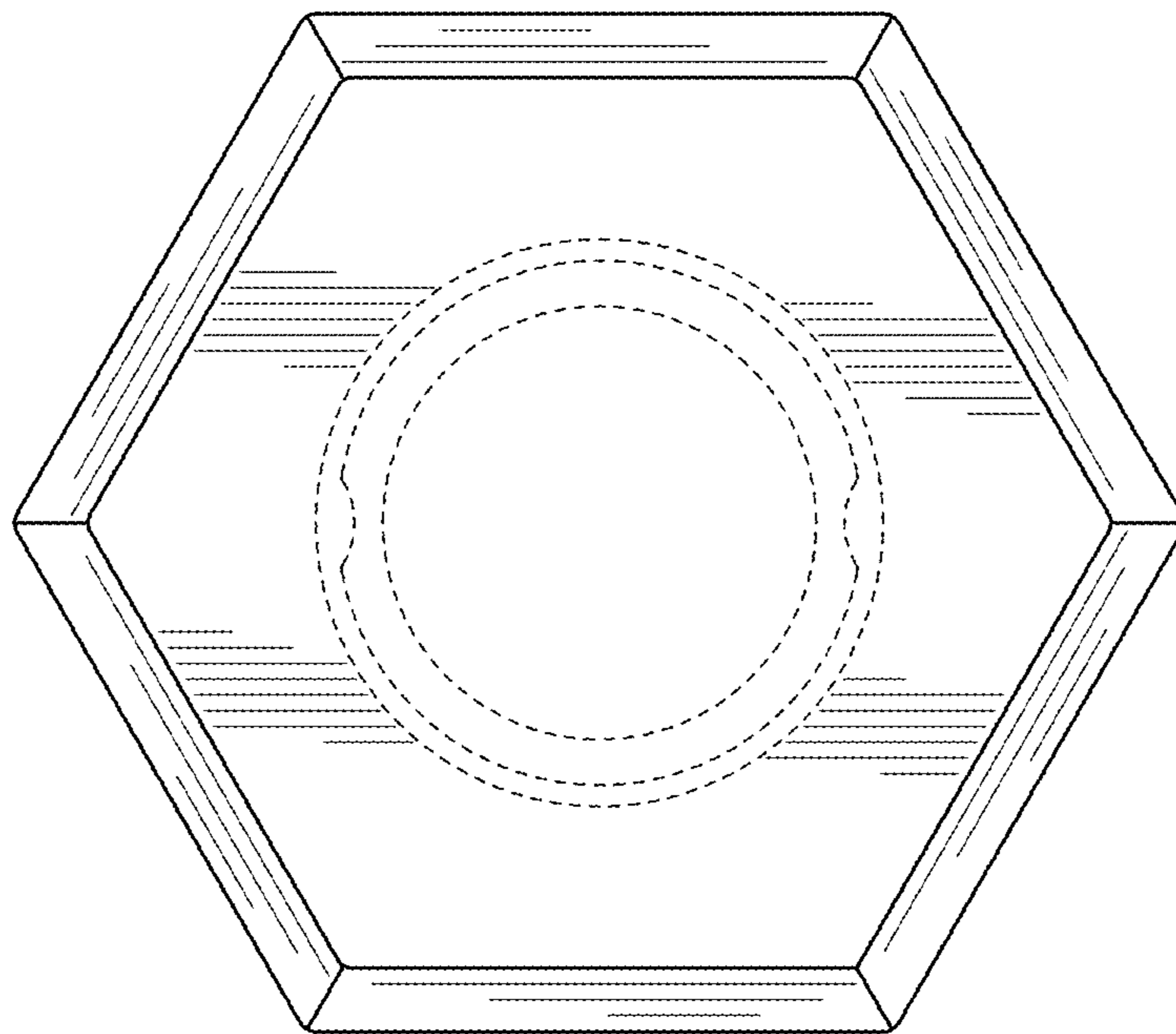


FIG. 8