



US00D788359S

(12) **United States Design Patent** (10) **Patent No.:** **US D788,359 S**  
**Sonneman** (45) **Date of Patent:** **\*\* May 30, 2017**

(54) **LIGHT BAR**

(71) Applicant: **Robert A. Sonneman**, Mamaroneck, NY (US)

(72) Inventor: **Robert A. Sonneman**, Mamaroneck, NY (US)

(\*\*) Term: **15 Years**

(21) Appl. No.: **29/585,522**

(22) Filed: **Nov. 25, 2016**

(51) **LOC (10) Cl.** ..... **26-99**

(52) **U.S. Cl.**  
USPC ..... **D26/138**

(58) **Field of Classification Search**  
USPC ..... D26/76, 78, 79, 80, 81, 82, 83, 85, 86,  
D26/88, 90, 113, 118, 119, 120, 121, 122,  
D26/138, 139, 140, 141, 142  
CPC ..... F21S 2/00; F21S 4/00; F21S 4/003; F21S  
4/005; F21S 4/006; F21S 4/007; F21S  
4/008; F21S 6/00; F21S 8/00; F21S  
8/024; F21S 8/026; F21S 8/031; F21S  
8/033; F21S 8/035-8/037; F21S 8/04;  
F21S 8/043; F21S 8/063  
See application file for complete search history.

(56) **References Cited**

**U.S. PATENT DOCUMENTS**

D381,450 S \* 7/1997 Sonneman ..... D26/72  
D468,474 S \* 1/2003 Poulton ..... D26/90  
D494,081 S \* 8/2004 Boilen ..... D10/114.4  
D532,919 S \* 11/2006 Handsaker ..... D26/80

D642,726 S \* 8/2011 Khubani ..... D26/80  
D647,246 S \* 10/2011 Chadwick ..... D26/138  
D689,647 S \* 9/2013 Brott ..... D26/90  
D706,516 S \* 6/2014 Caglia ..... D1/105  
D714,480 S \* 9/2014 Law ..... D26/31  
D724,776 S \* 3/2015 Sonneman ..... D26/85  
D775,408 S \* 12/2016 Huyghe ..... D26/138

\* cited by examiner

*Primary Examiner* — George D Kirschbaum

*Assistant Examiner* — Natasha Vujcic

(74) *Attorney, Agent, or Firm* — Gottlieb, Rackman & Reisman, P.C.

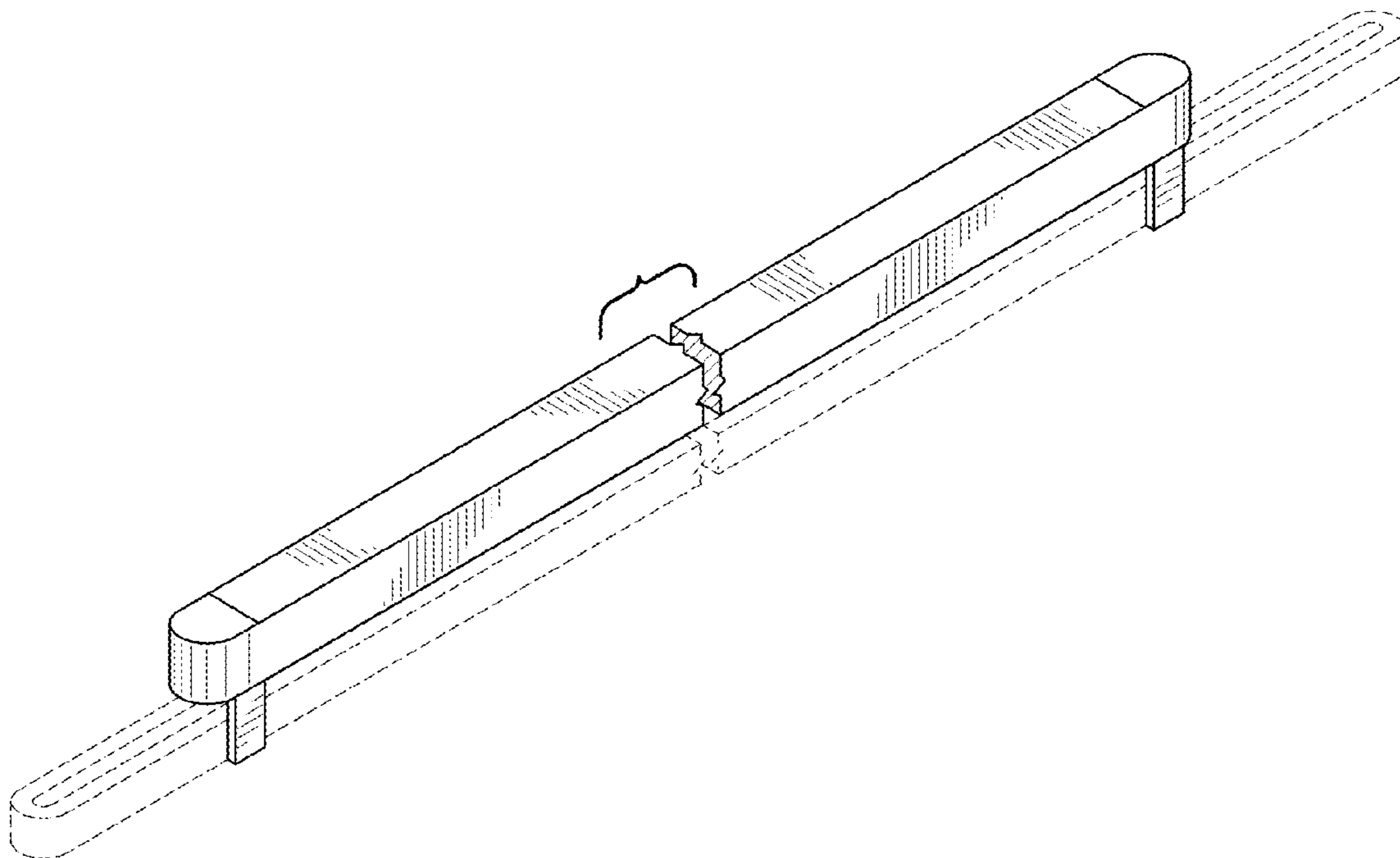
(57) **CLAIM**

The ornamental design for a light bar, as shown and described.

**DESCRIPTION**

FIG. 1 is a perspective view of the light bar showing my new design;  
FIG. 2 is a top plan thereof;  
FIG. 3 is a bottom plan view thereof  
FIG. 4 is a front elevational view thereof, the rear elevational view being a mirror image; and,  
FIG. 5 is a right side elevational view thereof, the left side elevational view being a mirror image.  
The break lines in FIGS. 1-4 are to indicate that the appearance of any portion of the light bar between break lines forms no part of the claimed design.  
The broken lines shown in the drawings are included for the purpose of illustrating portions of the article that form no part of the claimed design.

**1 Claim, 2 Drawing Sheets**



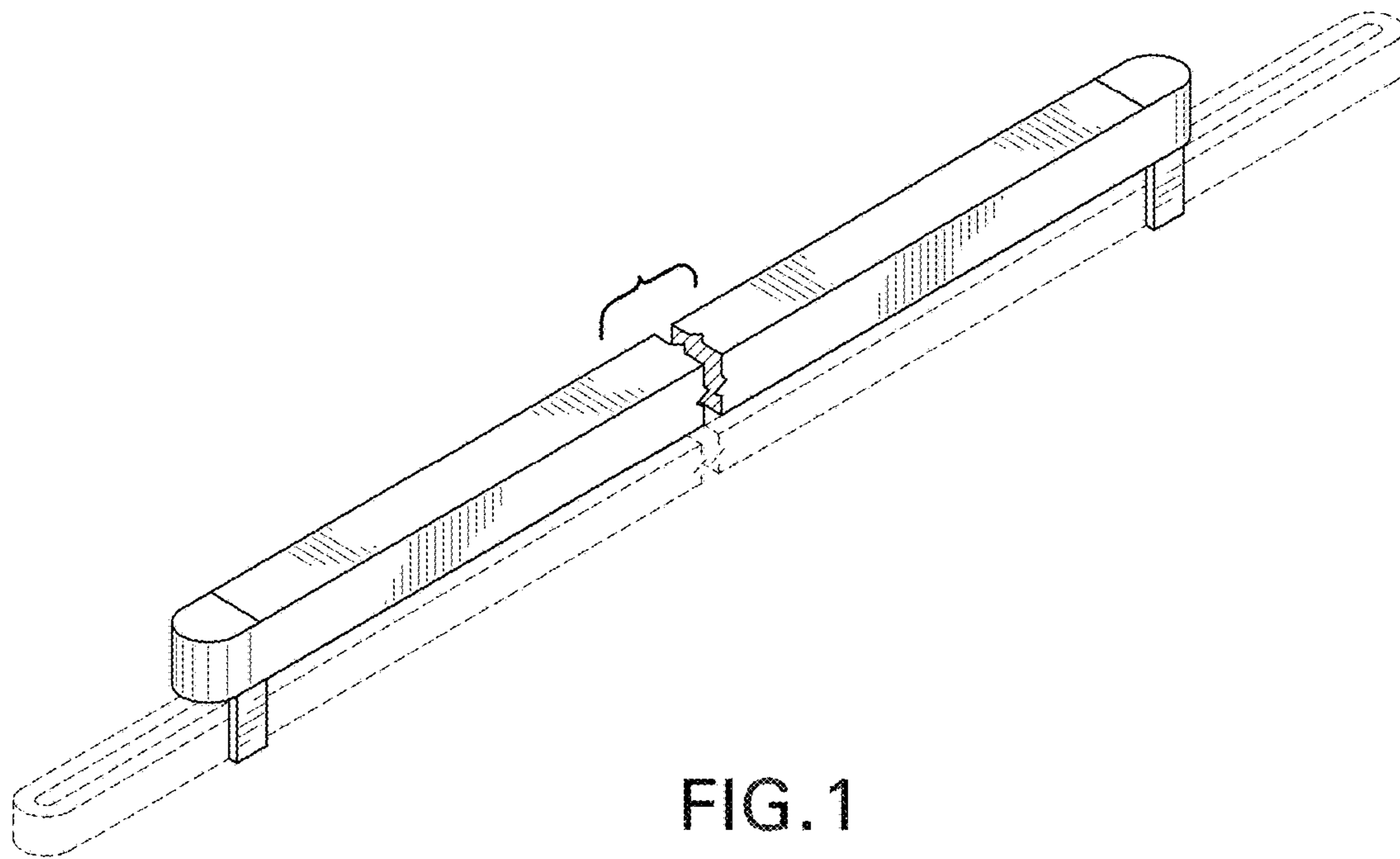


FIG. 1

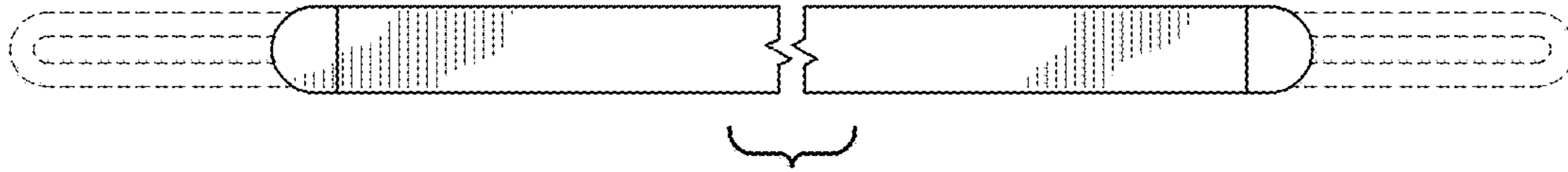


FIG. 2

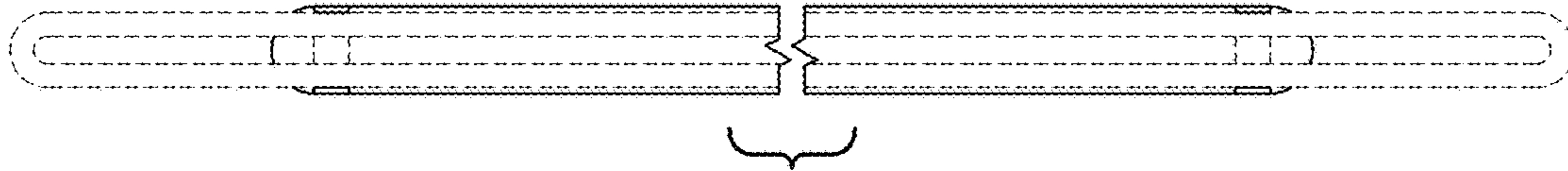


FIG. 3

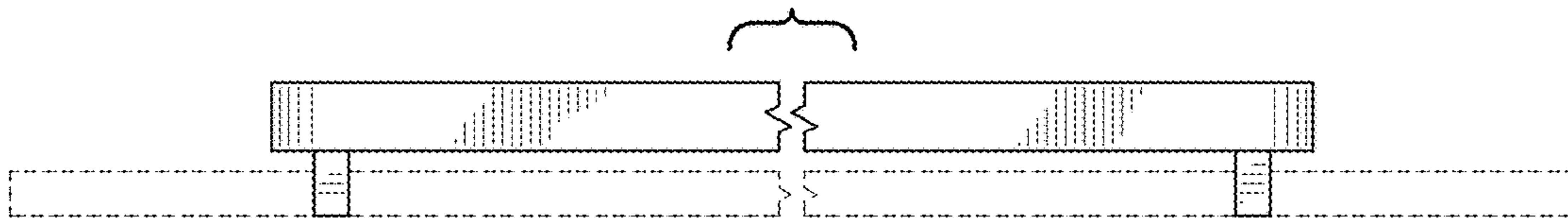


FIG. 4

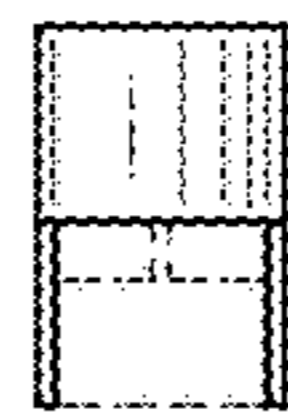


FIG. 5