



US00D788358S

(12) **United States Design Patent**  
**Sonneman**

(10) **Patent No.:** **US D788,358 S**

(45) **Date of Patent:** **\*\* May 30, 2017**

(54) **POWERBARS CONNECTOR FOR A LIGHTING SYSTEM**

(71) Applicant: **Robert A. Sonneman**, Mamaroneck, NY (US)

(72) Inventor: **Robert A. Sonneman**, Mamaroneck, NY (US)

(\*\*) Term: **15 Years**

(21) Appl. No.: **29/560,479**

(22) Filed: **Apr. 7, 2016**

(51) **LOC (10) Cl.** ..... **26-99**

(52) **U.S. Cl.**  
USPC ..... **D26/138**

(58) **Field of Classification Search**  
USPC ..... D26/2, 3, 8, 23-27, 37, 38, 39, 40, 44, D26/46, 48, 49, 50, 60, 61, 63, 65, 67, D26/81-90, 104, 113, 118, 119, 138, D26/140-145, 148, 152, 153, 155, 156; D8/382, 383, 390, 395; D10/111-115; D13/134, 137.2-137.4, 179; D14/473; D25/126-135

CPC ..... F21S 8/02; F21S 8/03; F21S 8/036; F21S 8/037; F21S 8/043; F21S 8/063; F21S 8/061; F21S 8/066; F21S 6/00; F21S 6/001; F21S 10/063; F21S 13/12; F21V 21/03; F21V 21/34; F21V 23/001

See application file for complete search history.

(56) **References Cited**

**U.S. PATENT DOCUMENTS**

D136,518 S *	10/1943	Hofstetter	362/225
D168,738 S *	2/1953	Friedman	D23/334
D251,293 S *	3/1979	Trueblood	D13/137.2
D276,225 S *	11/1984	Powel	D13/137.2
D406,562 S *	3/1999	Al-Sabah	D13/137.2
D409,083 S *	5/1999	Bernstein	D8/382
6,315,617 B1 *	11/2001	Al-Sabah	H01R 13/6666 439/652
D579,142 S *	10/2008	Lee	D26/113

D592,793 S *	5/2009	Chandler	D26/141
D607,819 S *	1/2010	Seil	D13/133
D614,134 S *	4/2010	Chen	D13/137.2
D736,710 S *	8/2015	Lin	D13/137.2
D773,714 S *	12/2016	Sonneman	D26/84

**OTHER PUBLICATIONS**

Geometric Tri LED Pendant (available online) Retrieved from the internet Mar. 22, 2017, retrieved from the internet URL: [http://www.dwr.com/lighting-ceiling/geometric-tri-led-pendant/9064597.html?lang=en\\_US](http://www.dwr.com/lighting-ceiling/geometric-tri-led-pendant/9064597.html?lang=en_US).\*

3 Way Hex Wrench (available online) Retrieved from the internet Mar. 22, 2017, retrieved from the internet URL: [https://www.amazon.com/Zeroyoyo-Mountain-Bicycle-Spanner-Triangular/dp/B01N9QLUZI/ref=sr\\_1\\_30?ie=UTF8&qid=1490217554&sr=830&keywords=y+shaped+allen+wrench](https://www.amazon.com/Zeroyoyo-Mountain-Bicycle-Spanner-Triangular/dp/B01N9QLUZI/ref=sr_1_30?ie=UTF8&qid=1490217554&sr=830&keywords=y+shaped+allen+wrench).\*

\* cited by examiner

*Primary Examiner* — Garth Rademaker  
*Assistant Examiner* — Richard Kearney  
(74) *Attorney, Agent, or Firm* — Gottlieb, Rackman & Reisman, P.C.

(57) **CLAIM**

The ornamental design for a powerbars connector for a lighting system, as shown and described.

**DESCRIPTION**

FIG. 1 is a perspective view of a powerbars connector for a lighting system, showing my new design;  
FIG. 2 is top plan view thereof;  
FIG. 3 is a front elevational view thereof, the rear elevational view being a mirror image;  
FIG. 4 is a right side elevational view thereof, the left side being a mirror image; and,  
FIG. 5 is a bottom plan view thereof.  
The broken lines shown in the drawings are included for the purpose of illustrating portions of the article that form no part of the claimed design.

**1 Claim, 2 Drawing Sheets**

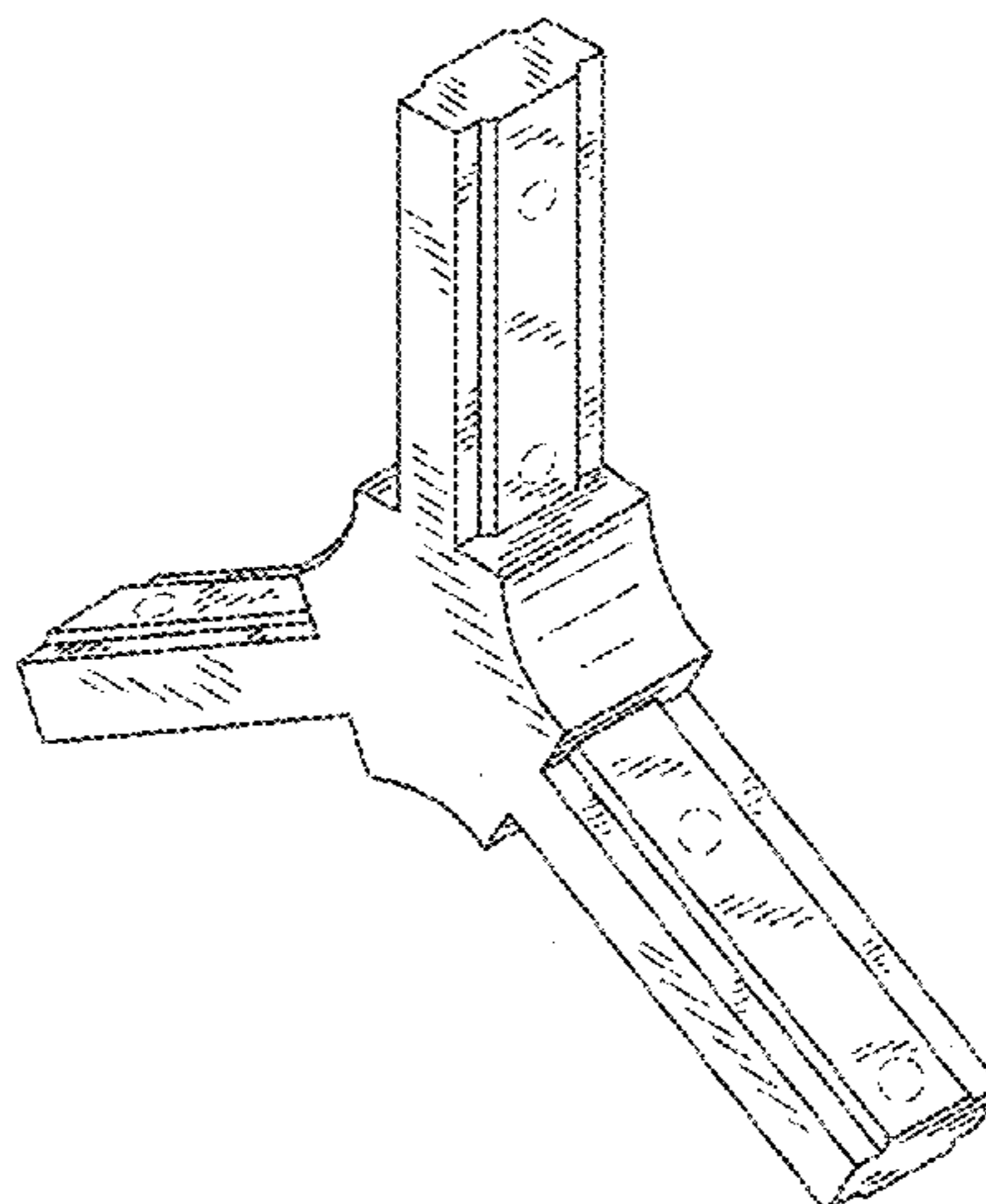


FIG. 1

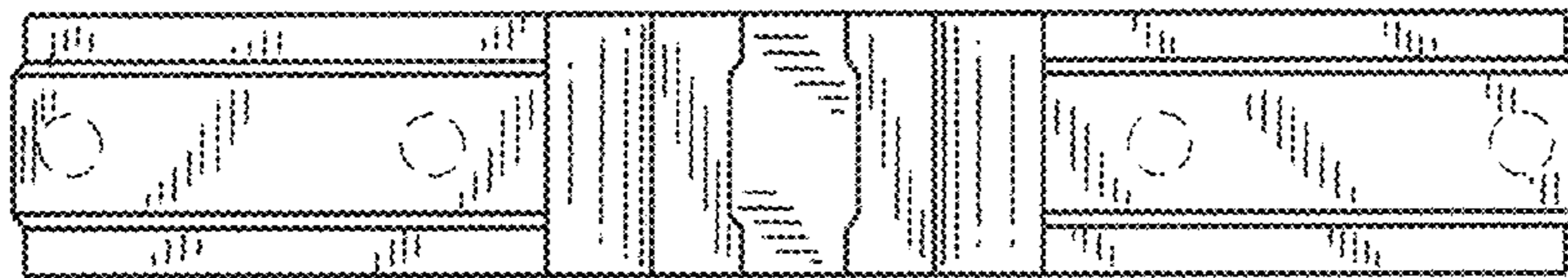
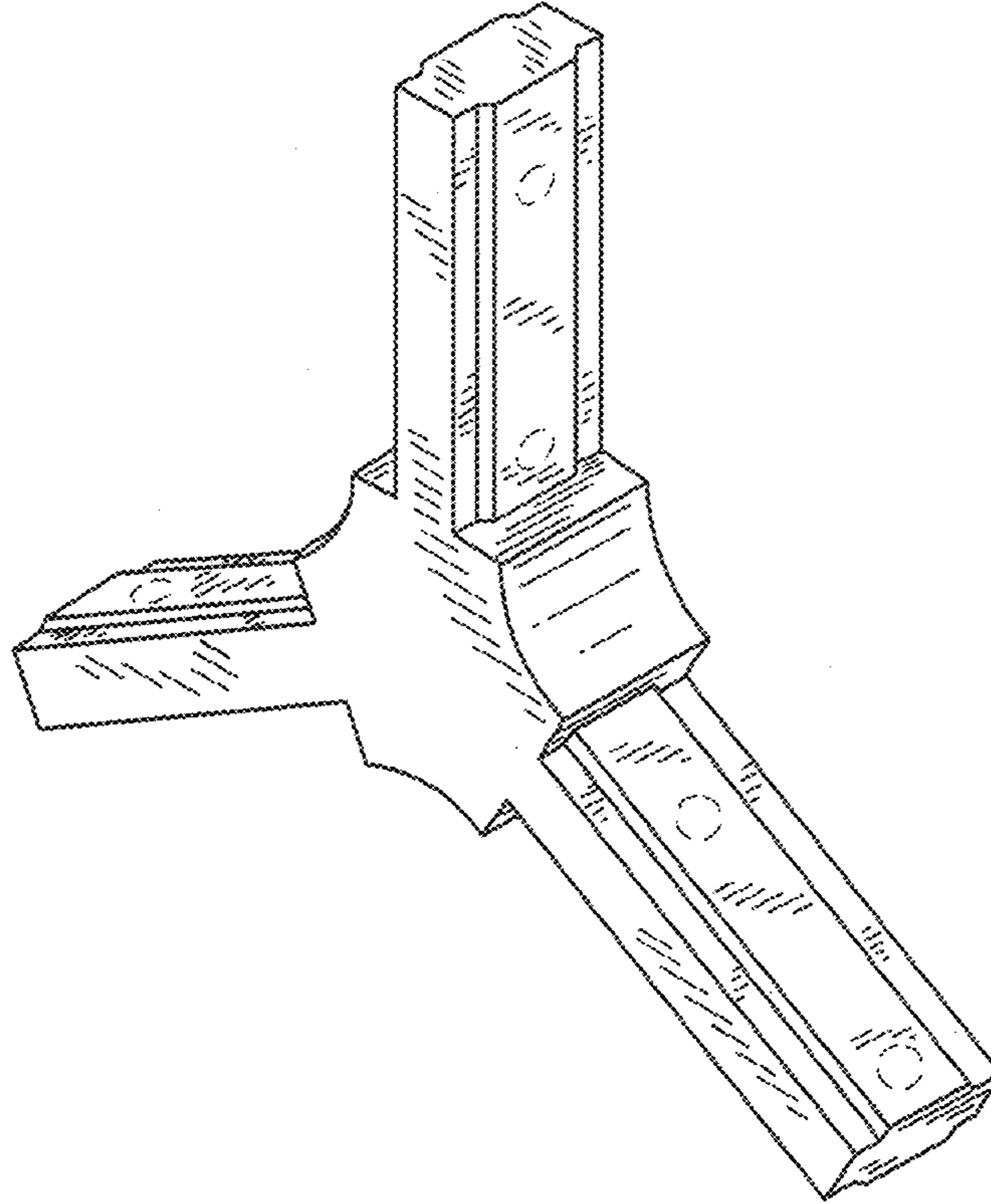


FIG. 2

FIG. 3

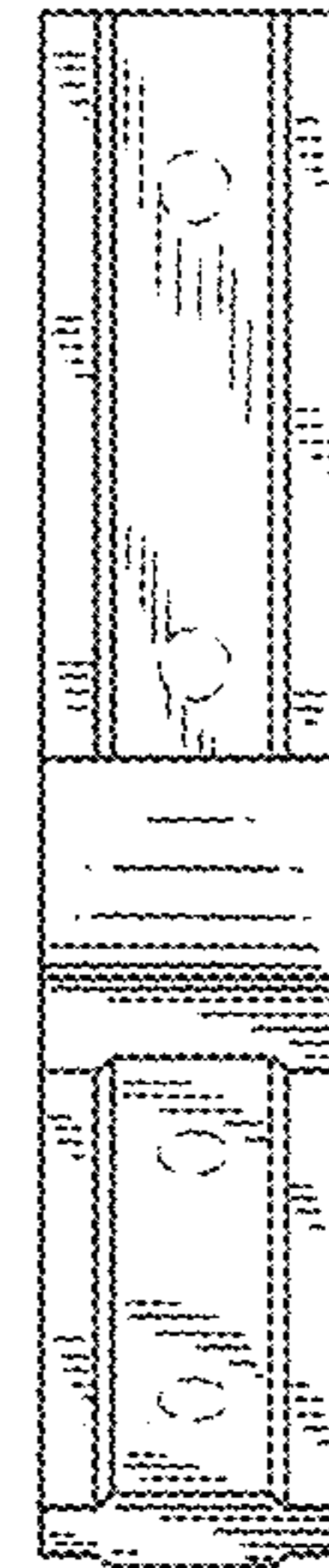
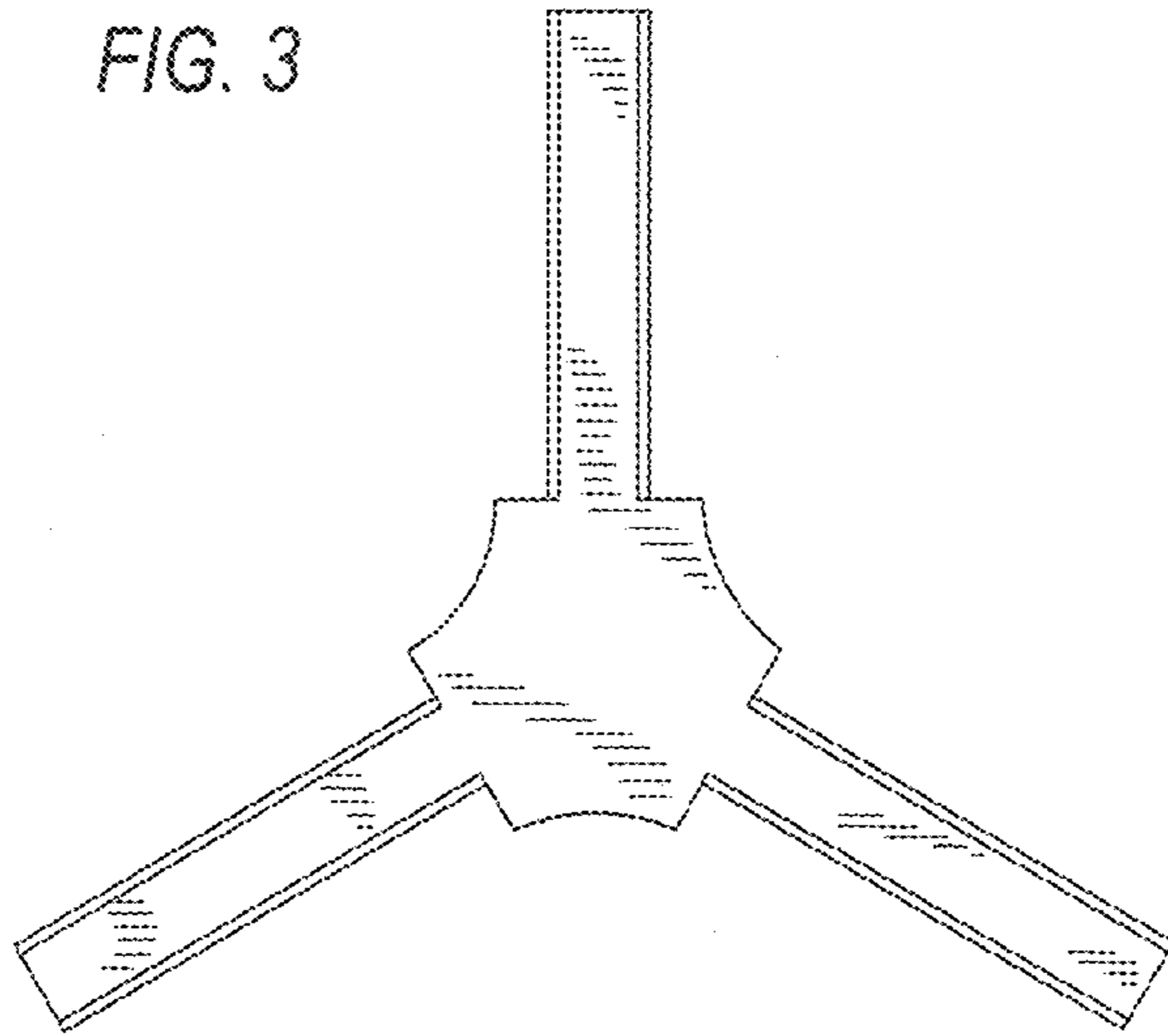


FIG. 4

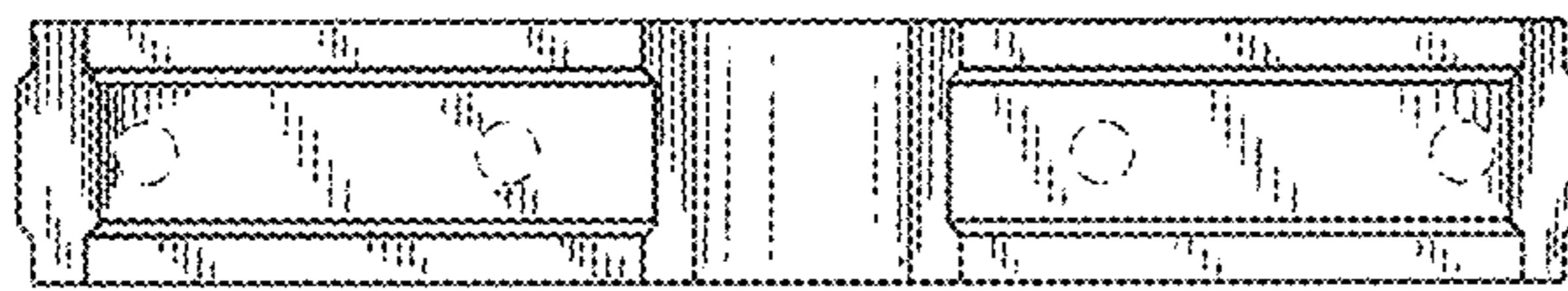


FIG. 5