



US00D788347S

(12) **United States Design Patent** (10) **Patent No.:** **US D788,347 S**
Evenson et al. (45) **Date of Patent:** **** *May 30, 2017**

(54) **LUMINAIRE**

(71) Applicant: **ABL IP Holding, LLC**, Conyers, GA (US)

(72) Inventors: **Michael Evenson**, Rushford, MN (US);
Dalton R. Yohnk, Winona, MN (US);
Ron Carl Schimmelpfenning, Winona, MN (US)

(73) Assignee: **ABL IP Holding, LLC**, Conyers, GA (US)

(*) Notice: This patent is subject to a terminal disclaimer.

(**) Term: **15 Years**

(21) Appl. No.: **29/542,368**

(22) Filed: **Oct. 13, 2015**

(51) **LOC (10) Cl.** **26-05**

(52) **U.S. Cl.**
USPC **D26/88; D26/91**

(58) **Field of Classification Search**
USPC D26/81-91, 143, 144
CPC F21S 8/04; F21S 8/043; F21S 8/046; F21S 8/06; F21S 8/061; F21S 8/063; F21S 8/065

See application file for complete search history.

(56) **References Cited**

U.S. PATENT DOCUMENTS

- 4,924,366 A * 5/1990 Shemitz F21S 2/00 362/147
- 5,347,432 A * 9/1994 Chiavetta F21V 17/102 362/18
- D586,934 S * 2/2009 Ogashiwa D26/63
- D599,948 S * 9/2009 Armbruster D26/90
- D610,300 S * 2/2010 Ngai D26/120
- D618,842 S * 6/2010 Ngai D26/120
- D623,793 S * 9/2010 Ngai D26/120
- D643,566 S * 8/2011 Hickok D26/120

- D645,196 S * 9/2011 Hickok D26/120
- D661,421 S * 6/2012 Hor D26/63
- D681,254 S * 4/2013 Blum D26/83
- D703,361 S * 4/2014 Kondou D26/109
- D732,227 S 6/2015 Blum et al.
- 9,062,841 B2 * 6/2015 Tran F21S 8/046
- 9,383,508 B2 * 7/2016 Getzinger G02B 6/0078
- 2008/0180936 A1 * 7/2008 Ogashiwa F21S 8/06 362/84
- 2010/0110687 A1 * 5/2010 Zheng F21S 2/005 362/249.06

(Continued)

FOREIGN PATENT DOCUMENTS

WO WO 2010/042216 4/2010

OTHER PUBLICATIONS

Jason Bruges Studio, "Mimosa" artwork informational page, circa Dec. 2010.

Primary Examiner — Clare E Heflin

(74) Attorney, Agent, or Firm — Beeson Skinner Beverly, LLP

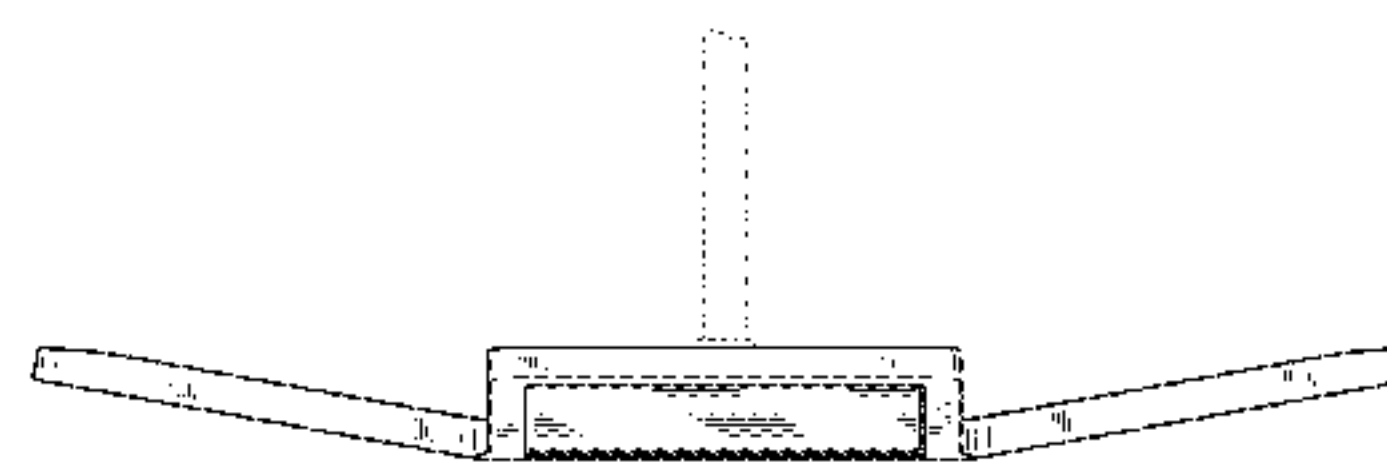
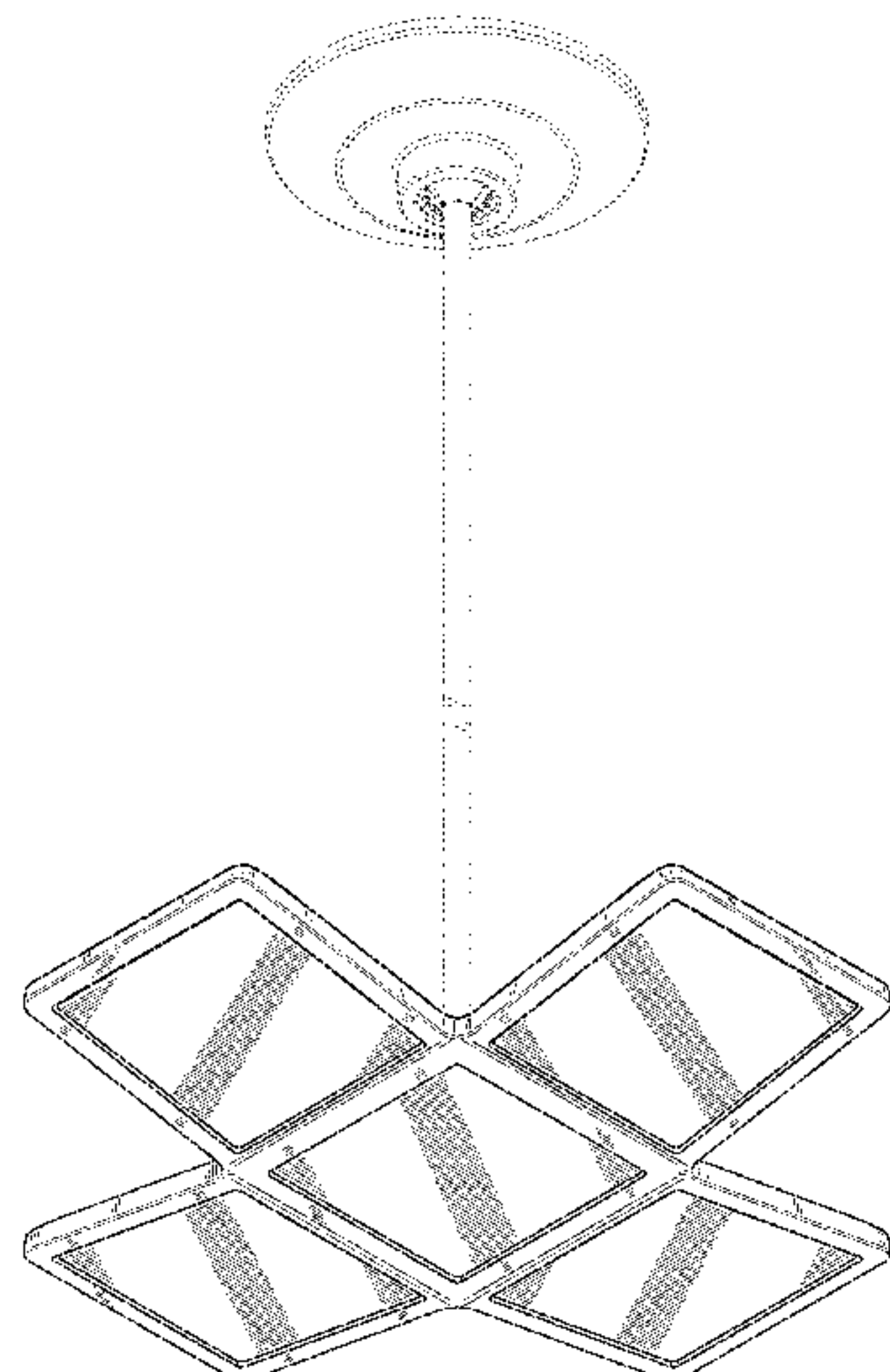
(57) **CLAIM**

The ornamental design for a luminaire, as shown and described.

DESCRIPTION

FIG. 1 is a bottom perspective view of a luminaire showing our new design;
 FIG. 2 is a top perspective view thereof;
 FIG. 3 is a right side elevational view thereof, the left, front, and rear elevations being identical thereto;
 FIG. 4 is a bottom plan view thereof; and,
 FIG. 5 is a top plan view thereof.
 The broken lines shown in FIGS. 1-3 and 5 represent a pendent structure and cover plates used in mounting the luminaire to a ceiling. The broken line structures form no part of the claimed design.

1 Claim, 4 Drawing Sheets



(56)

References Cited

U.S. PATENT DOCUMENTS

2012/0294016 A1 11/2012 Tran et al.
2012/0300437 A1* 11/2012 Lu F21V 21/005
362/147
2014/0049956 A1* 2/2014 Manahan F21V 21/14
362/233
2015/0282269 A1* 10/2015 Krall H05B 33/0845
362/230

* cited by examiner

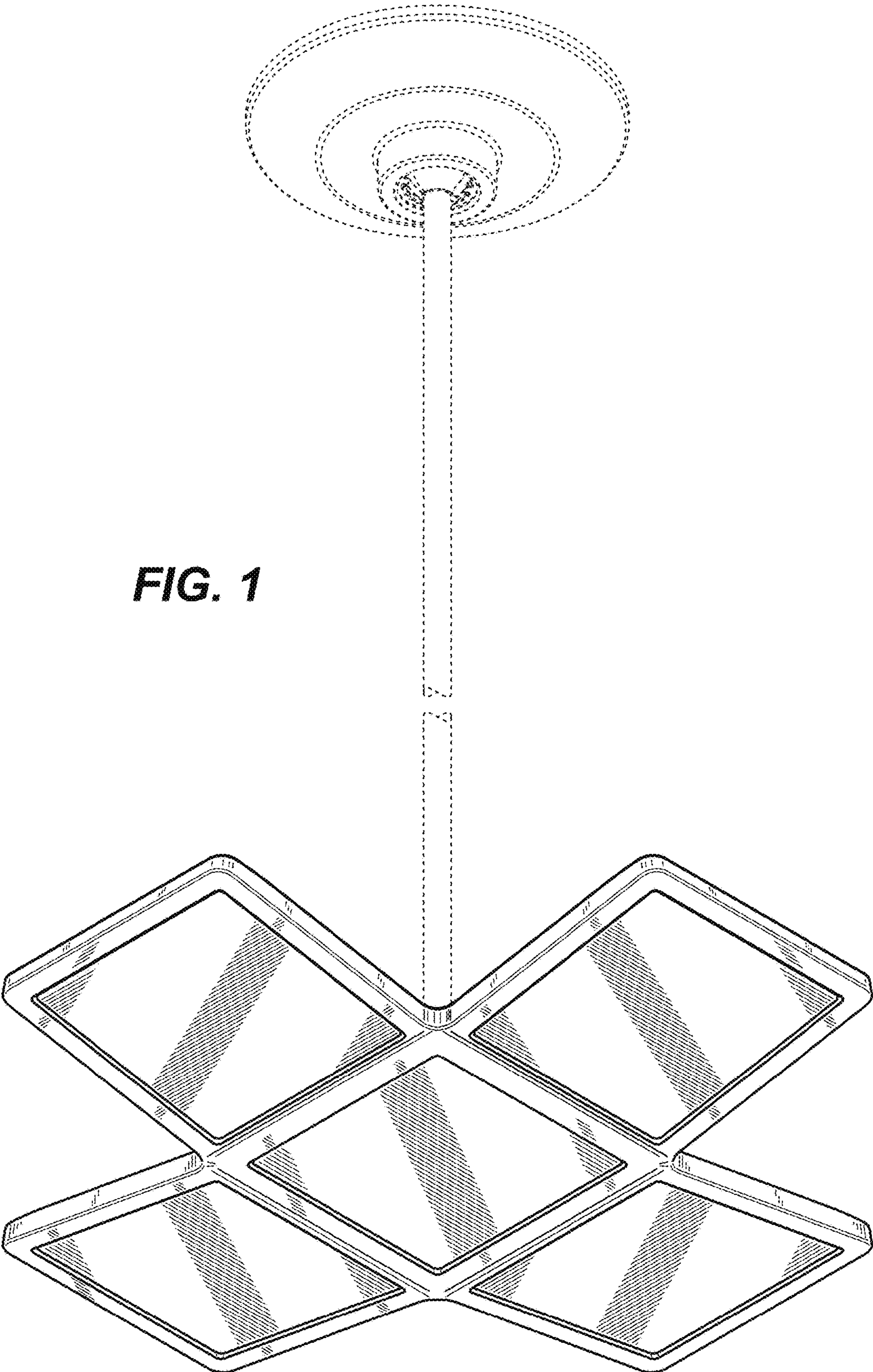


FIG. 1

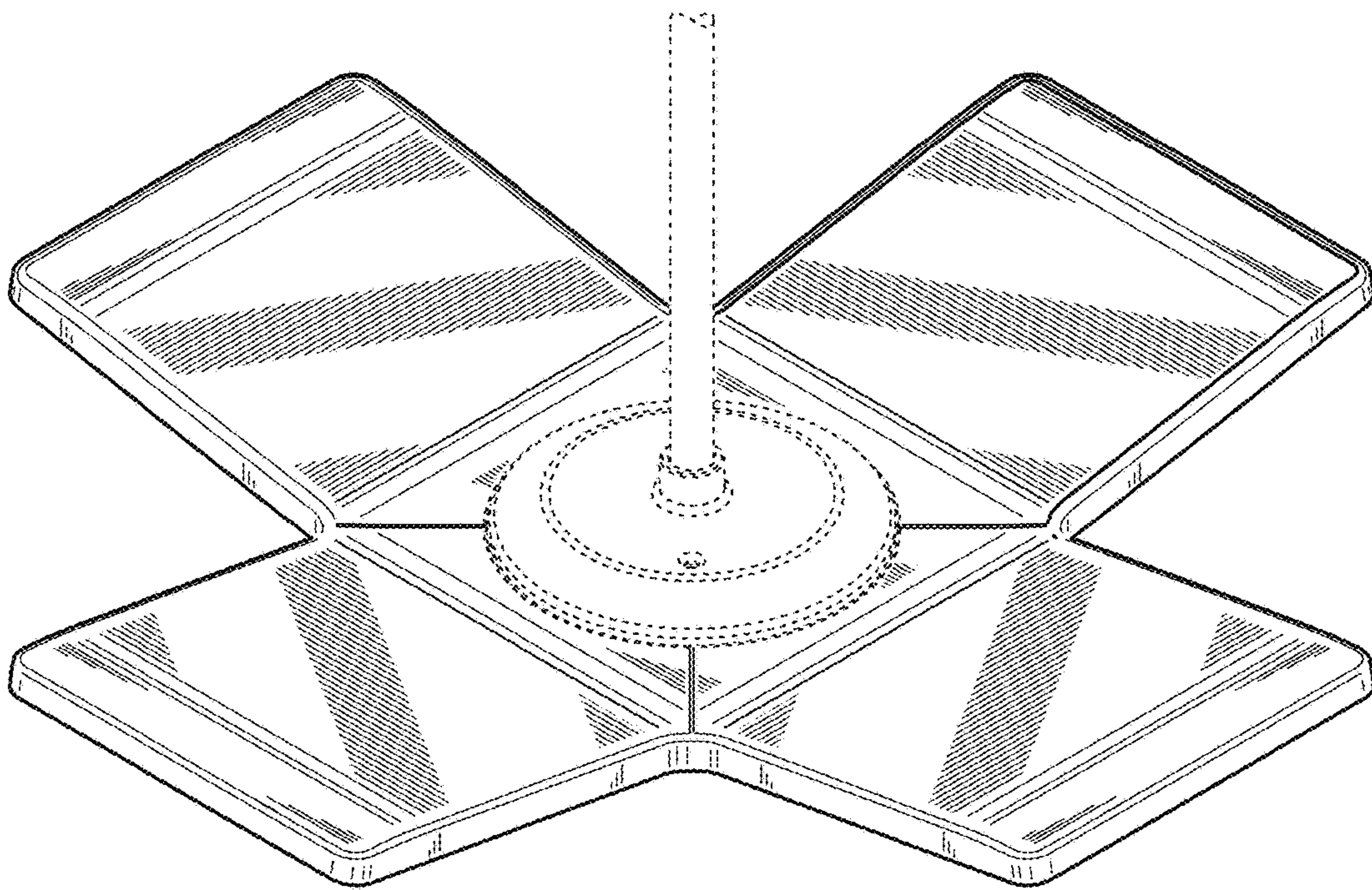


FIG. 2

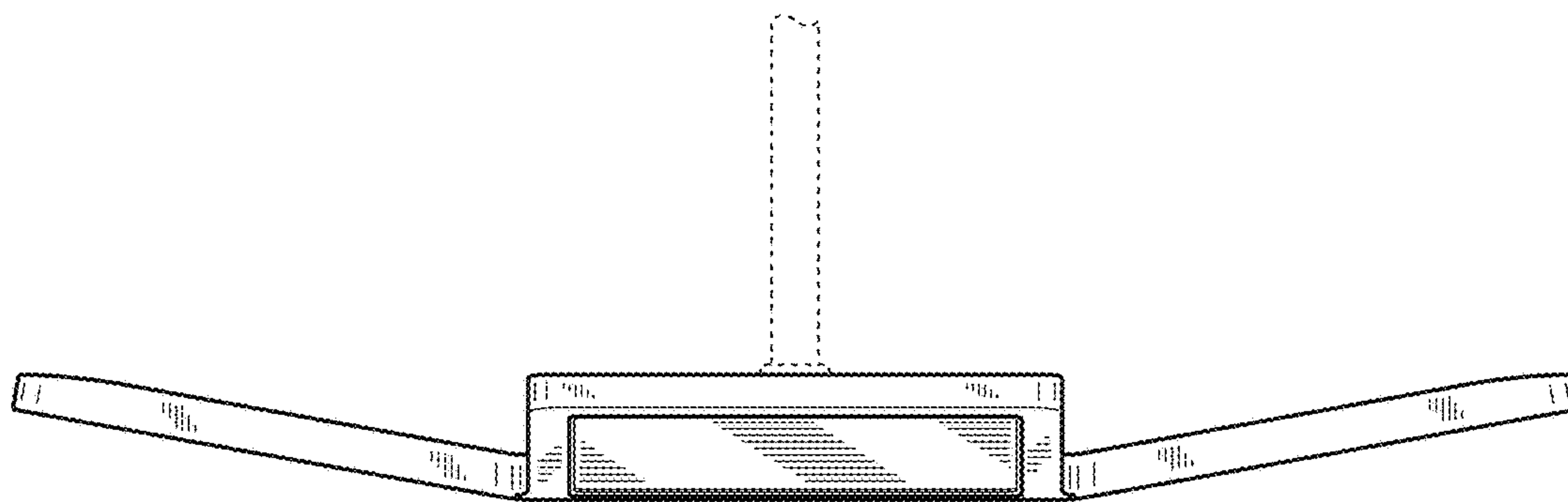


FIG. 3

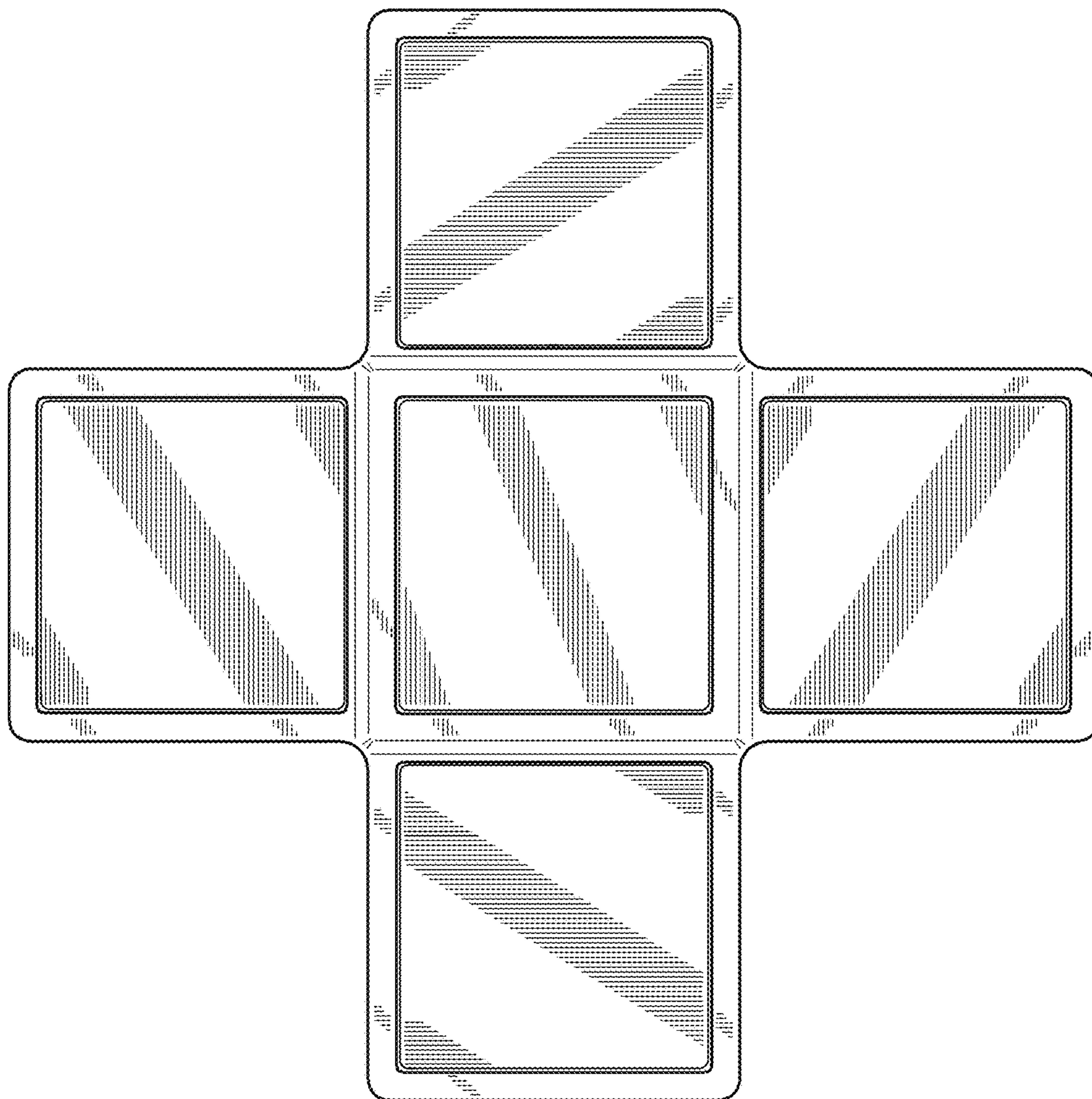


FIG. 4

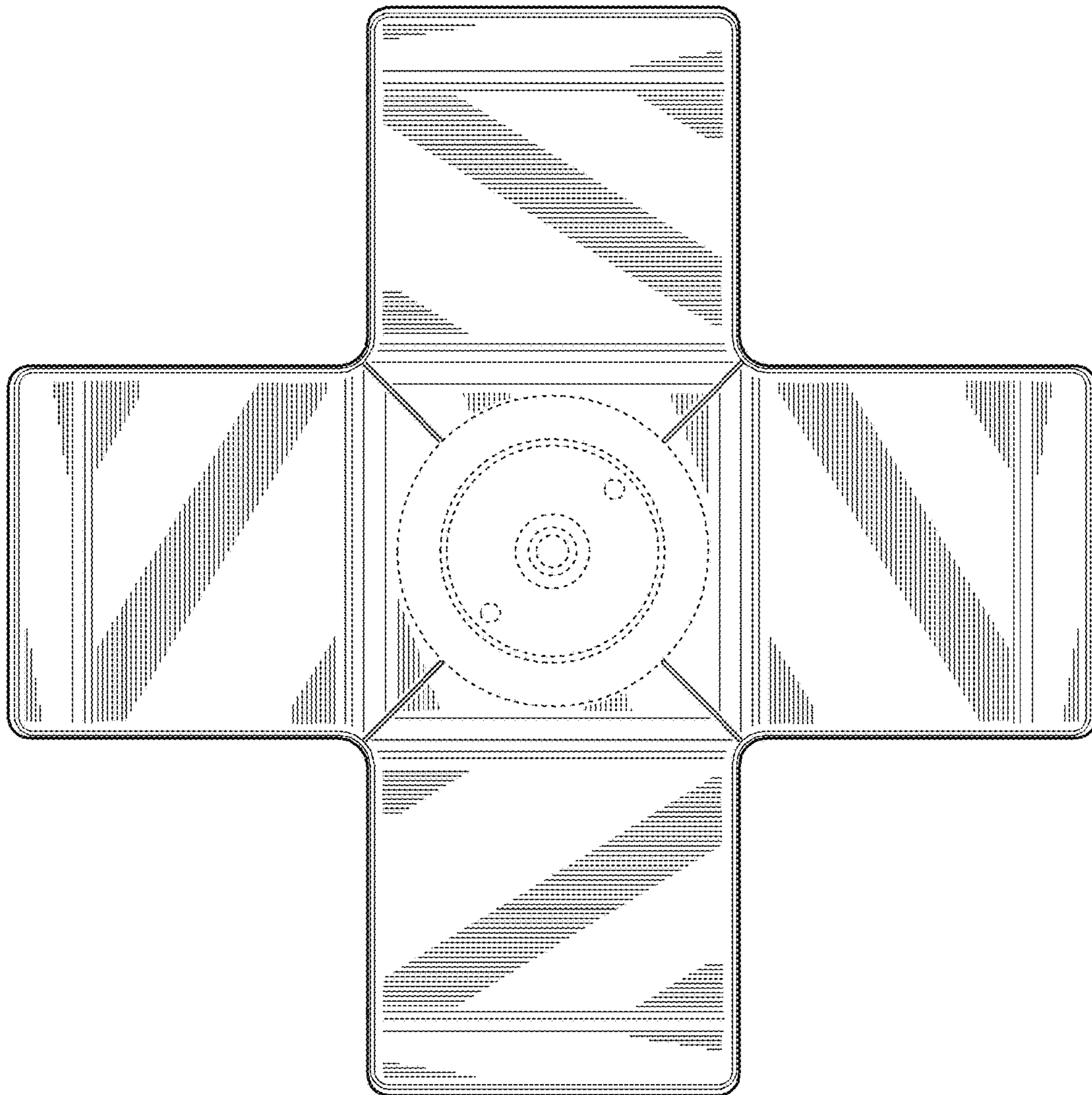


FIG. 5