



US00D788344S

(12) **United States Design Patent**
Gecchelin

(10) **Patent No.:** **US D788,344 S**

(45) **Date of Patent:** **** May 30, 2017**

(54) **LUMINAIRE**

(71) Applicant: **Iguzzini Illuminazione S.P.A.**, Recanati (IT)

(72) Inventor: **Bruno Gecchelin**, Milan (IT)

(73) Assignee: **Iguzzini Illuminazione S.P.A.**, Recanati (IT)

(**) Term: **15 Years**

(21) Appl. No.: **29/531,070**

(22) Filed: **Jun. 23, 2015**

(30) **Foreign Application Priority Data**

Dec. 23, 2014 (EP) 002604660-0016

(51) **LOC (10) Cl.** **26-03**

(52) **U.S. Cl.**
USPC **D26/63**

(58) **Field of Classification Search**

USPC D26/1, 24, 61, 63, 65, 85, 92
CPC F21V 21/14; F21V 15/01; F21V 14/02;
F21V 21/30; F21V 21/00; F21V 14/00;
F21S 8/00; F21S 8/003; F21S 8/043;
F21Y 2105/001

See application file for complete search history.

(56) **References Cited**

U.S. PATENT DOCUMENTS

D239,967 S * 5/1976 Ewing et al. D26/65
D541,456 S * 4/2007 Kosche D26/63

D563,579 S * 3/2008 Grimberg D26/61
D600,390 S * 9/2009 Sabernig D26/65
D670,846 S * 11/2012 Ramirez D26/63
D748,313 S * 1/2016 Grundl D26/63
D751,746 S * 3/2016 Hoang D26/63
D775,754 S * 1/2017 Jepson D26/63

FOREIGN PATENT DOCUMENTS

EM 001350078-0010 11/2012
EM 002778613-0002 9/2015

* cited by examiner

Primary Examiner — Brian N Vinson

(74) *Attorney, Agent, or Firm* — Stetina Brunda Garred & Brucker

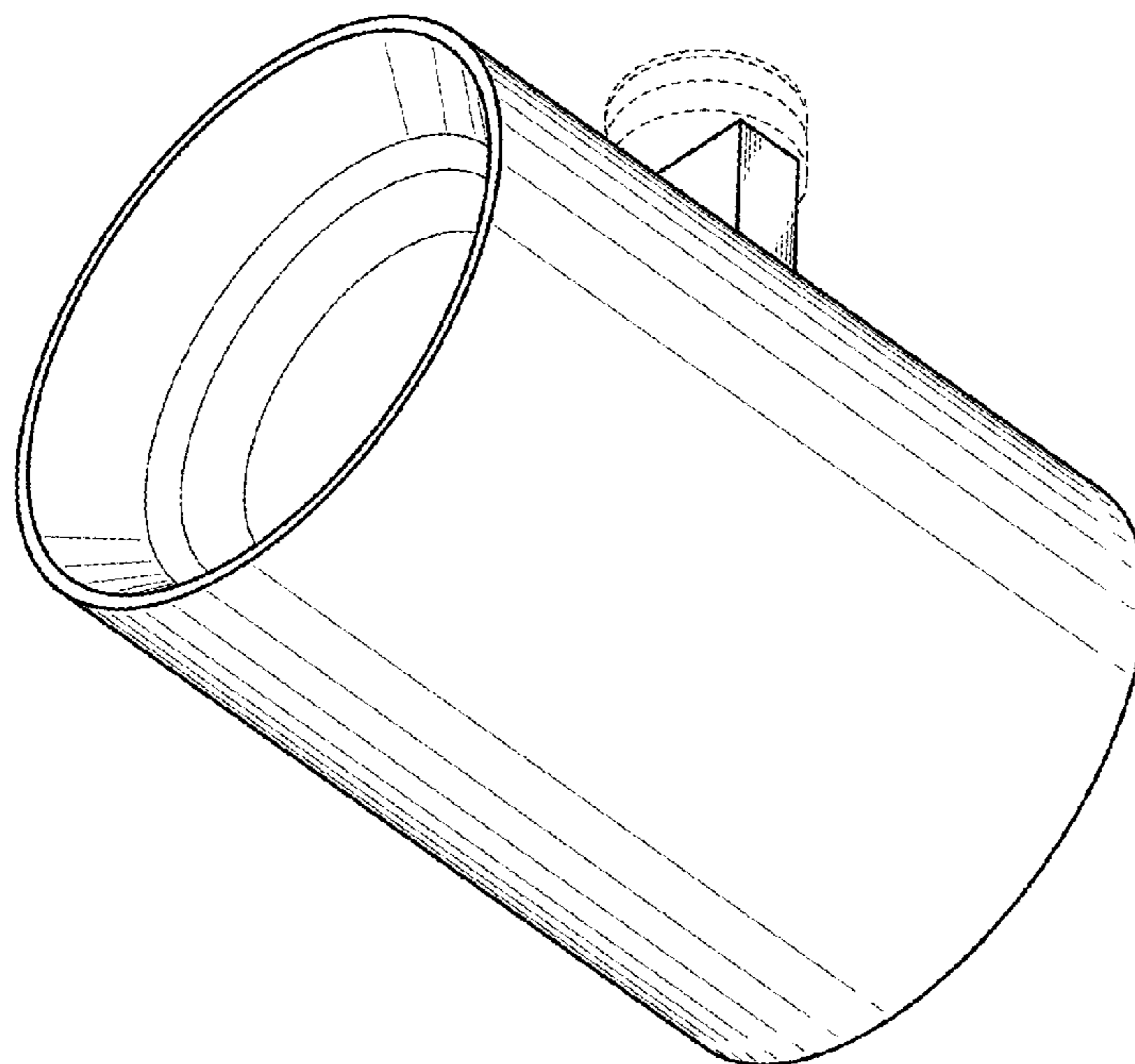
(57) **CLAIM**

The ornamental design for luminaire, as shown and described.

DESCRIPTION

FIG. 1 is a front perspective view of the luminaire of the present invention showing my new design, with the dotted lines depicting environmental structure and forming no part of the claimed design;
FIG. 2 is a front view thereof;
FIG. 3 is a right view thereof;
FIG. 4 is a left view thereof;
FIG. 5 is a back view thereof; and,
FIG. 6 is a top view thereof.

1 Claim, 6 Drawing Sheets



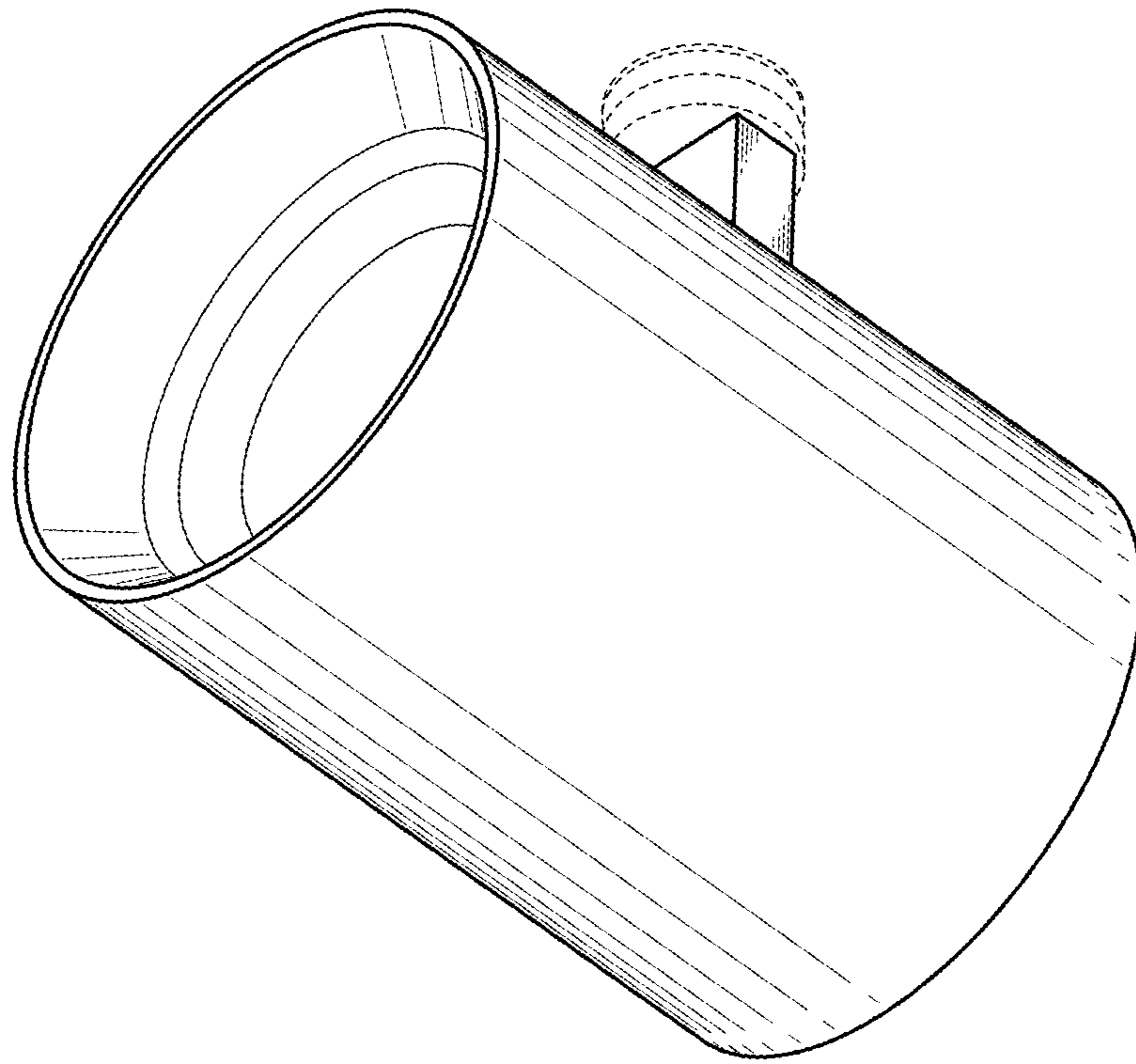


Fig. 1

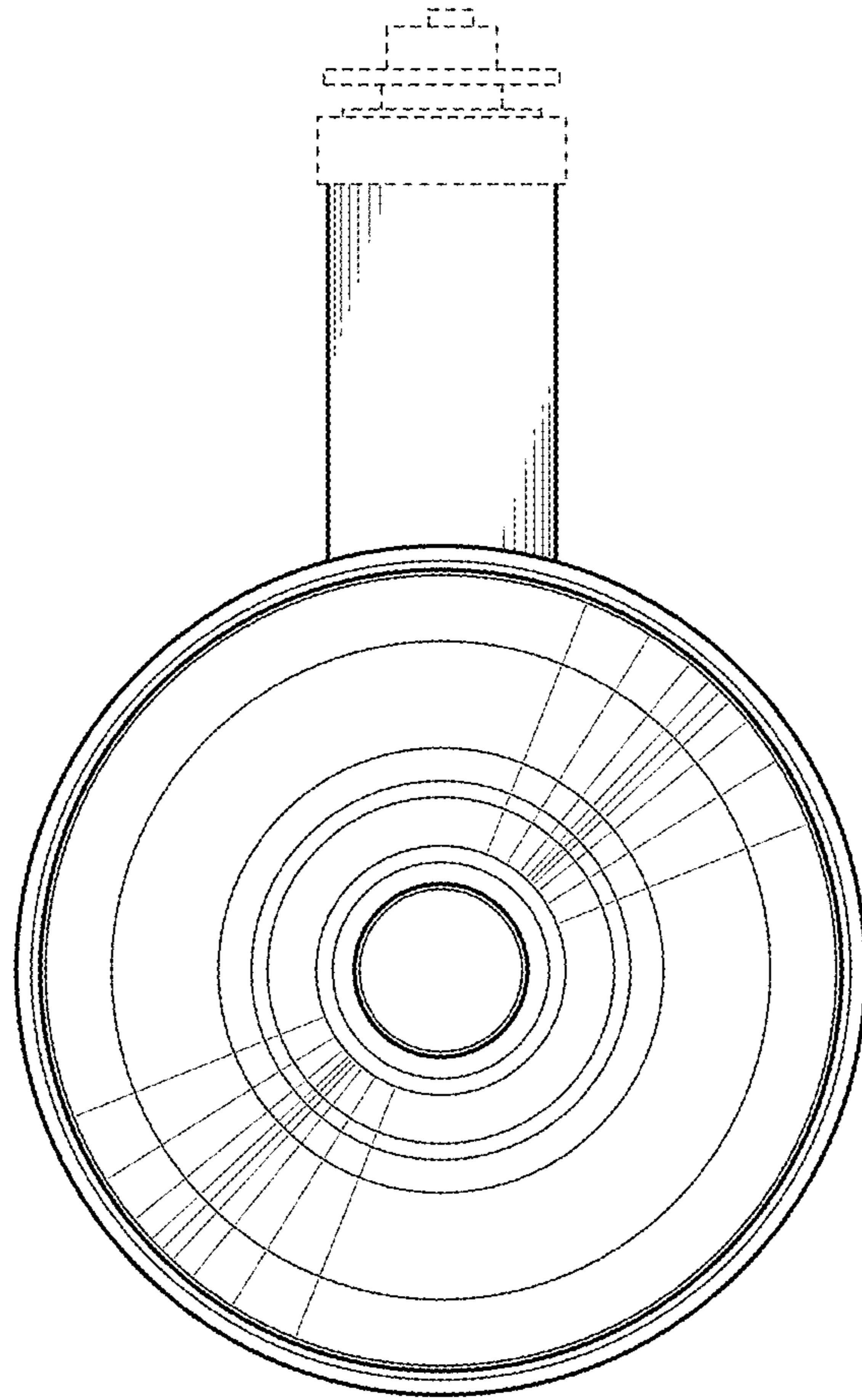


Fig. 2

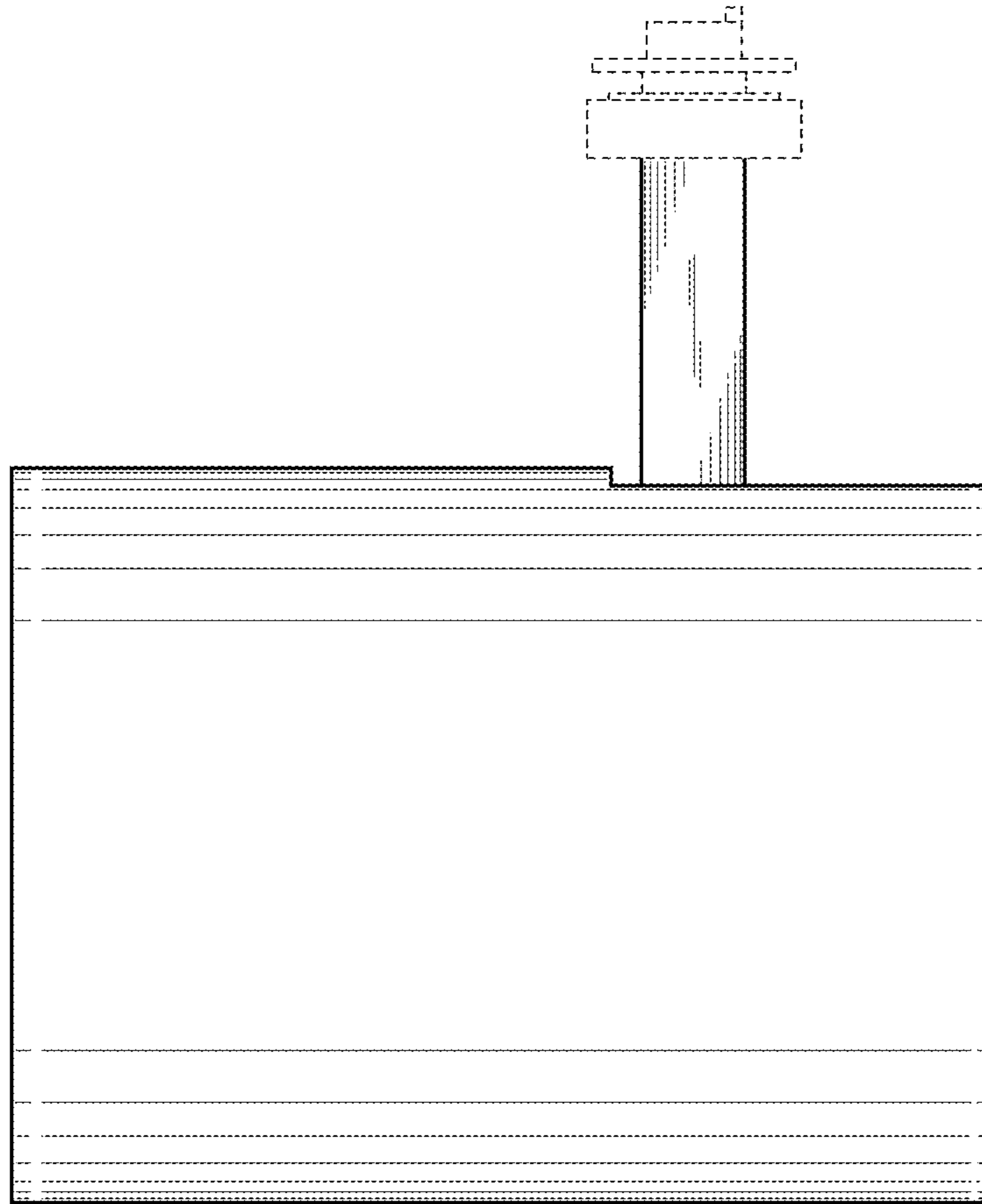


Fig. 3

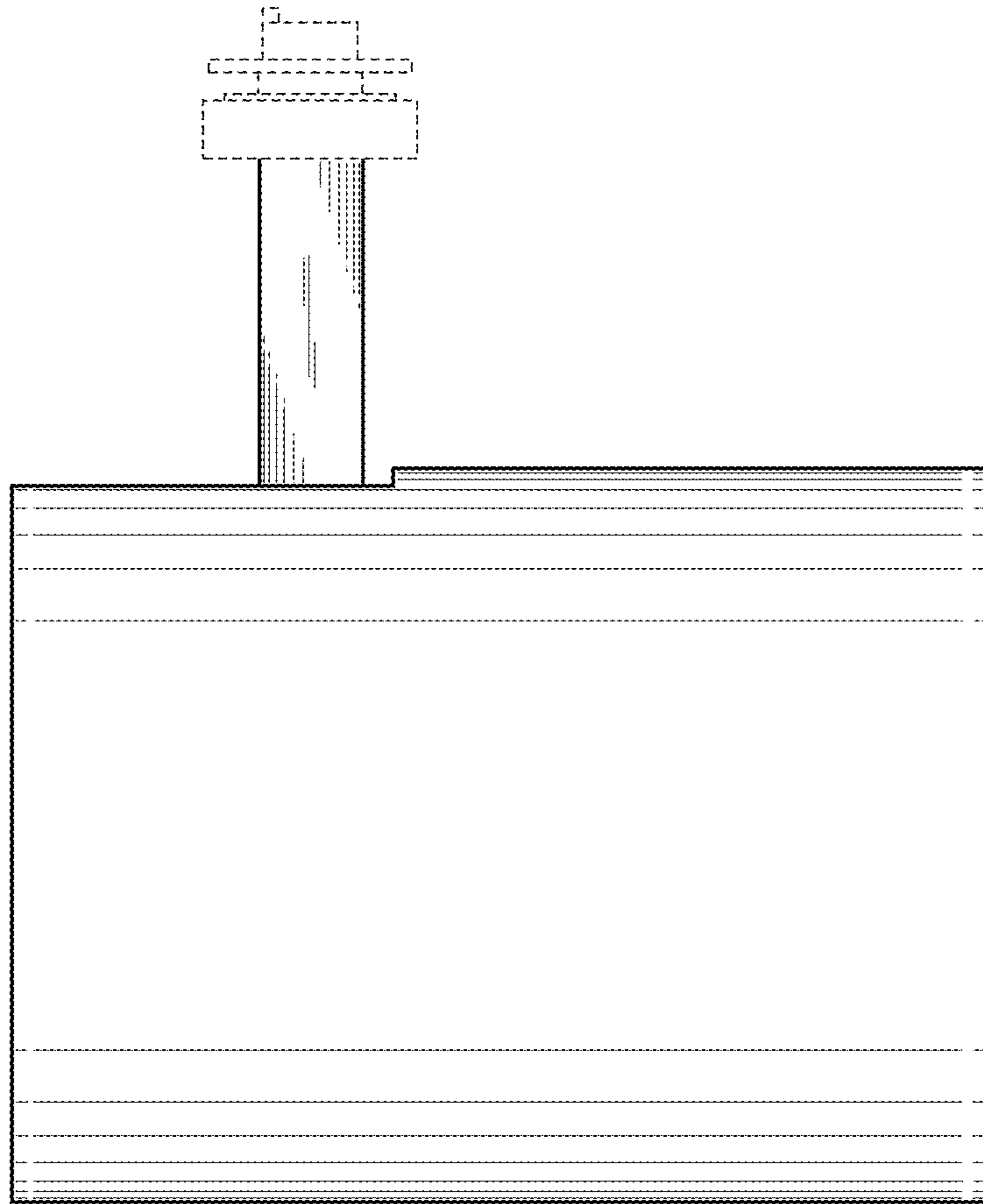


Fig. 4

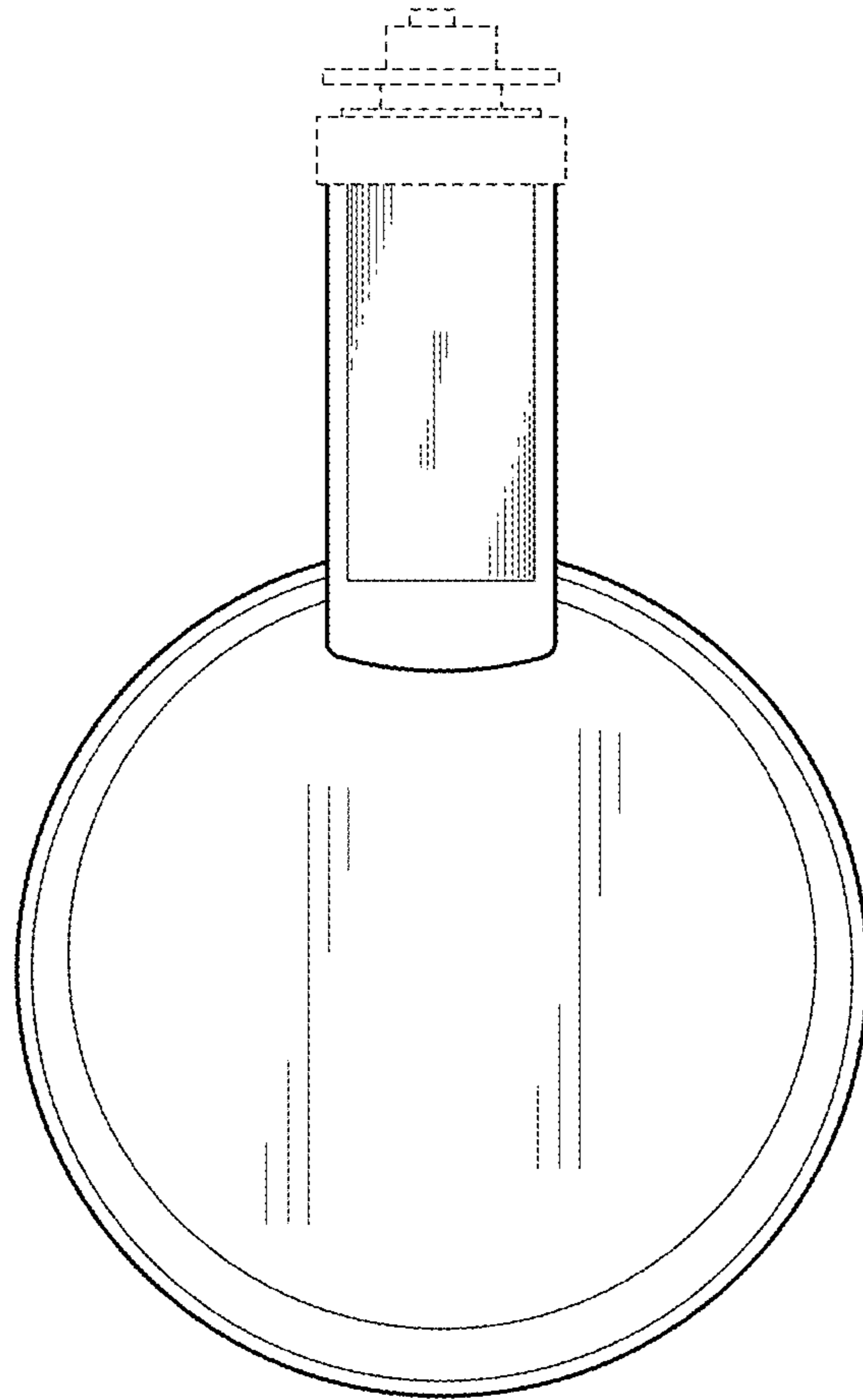


Fig. 5

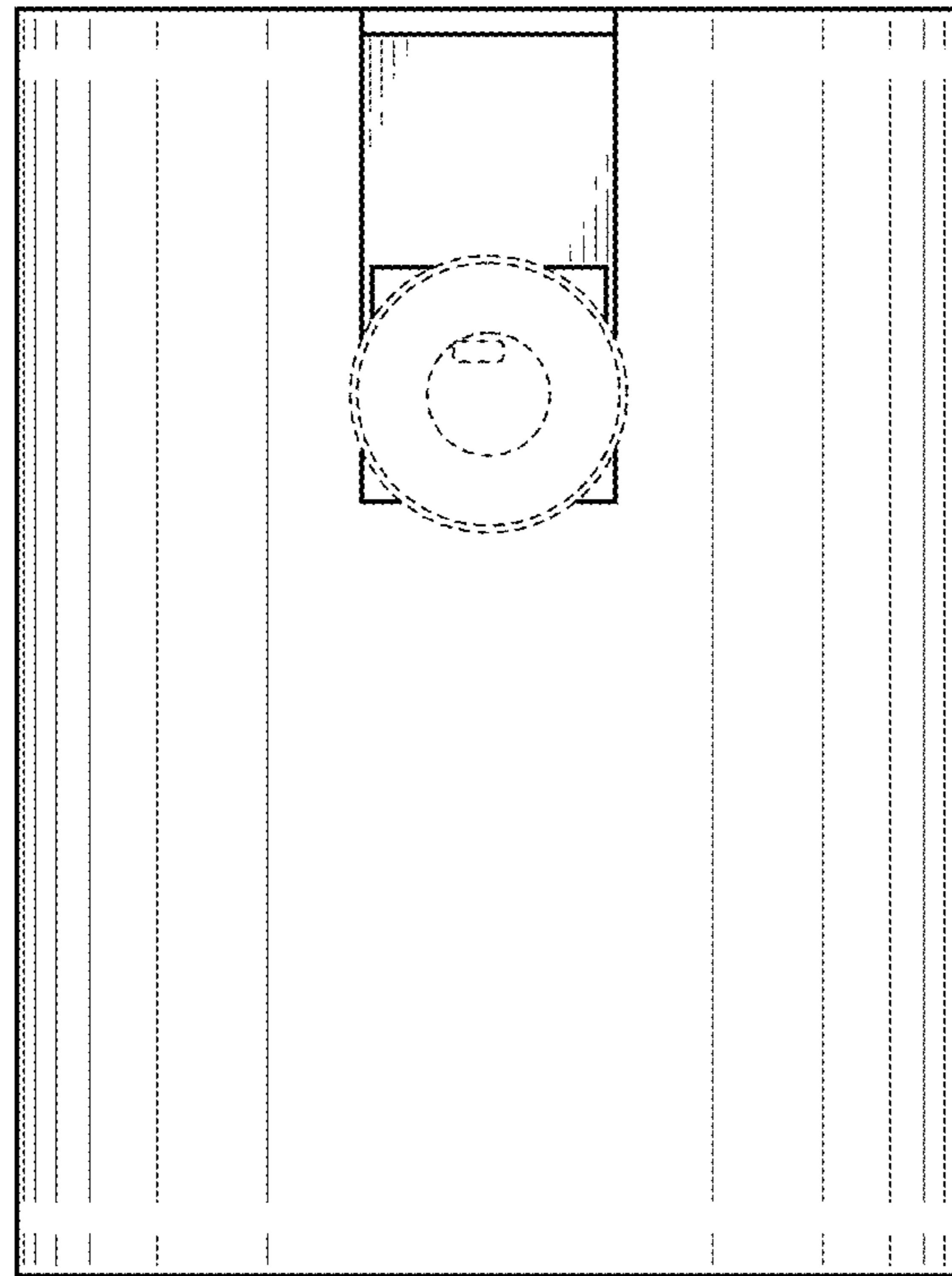


Fig. 6