



US00D788343S

(12) **United States Design Patent**
Sonneman

(10) **Patent No.:** **US D788,343 S**

(45) **Date of Patent:** **** May 30, 2017**

(54) **LIGHT FIXTURE**

D648,470 S * 11/2011 Rains D26/60
D680,673 S * 4/2013 Levine D26/60
D765,296 S * 8/2016 Wei D26/60

(71) Applicant: **Robert A. Sonneman**, Mamaroneck,
NY (US)

* cited by examiner

(72) Inventor: **Robert A. Sonneman**, Mamaroneck,
NY (US)

Primary Examiner — Brian N Vinson

(74) *Attorney, Agent, or Firm* — Gottlieb, Rackman &
Reisman, P.C.

(**) Term: **15 Years**

(57) **CLAIM**

(21) Appl. No.: **29/584,479**

The ornamental design for a light fixture, as shown and
described.

(22) Filed: **Nov. 15, 2016**

DESCRIPTION

(51) **LOC (10) Cl.** **26-03**

(52) **U.S. Cl.**
USPC **D26/60**

(58) **Field of Classification Search**
USPC D26/60
CPC F21V 21/35; F21V 21/104; F21V 23/02;
F21V 23/06; F21S 2/005; F21S 8/061;
F21S 8/063
See application file for complete search history.

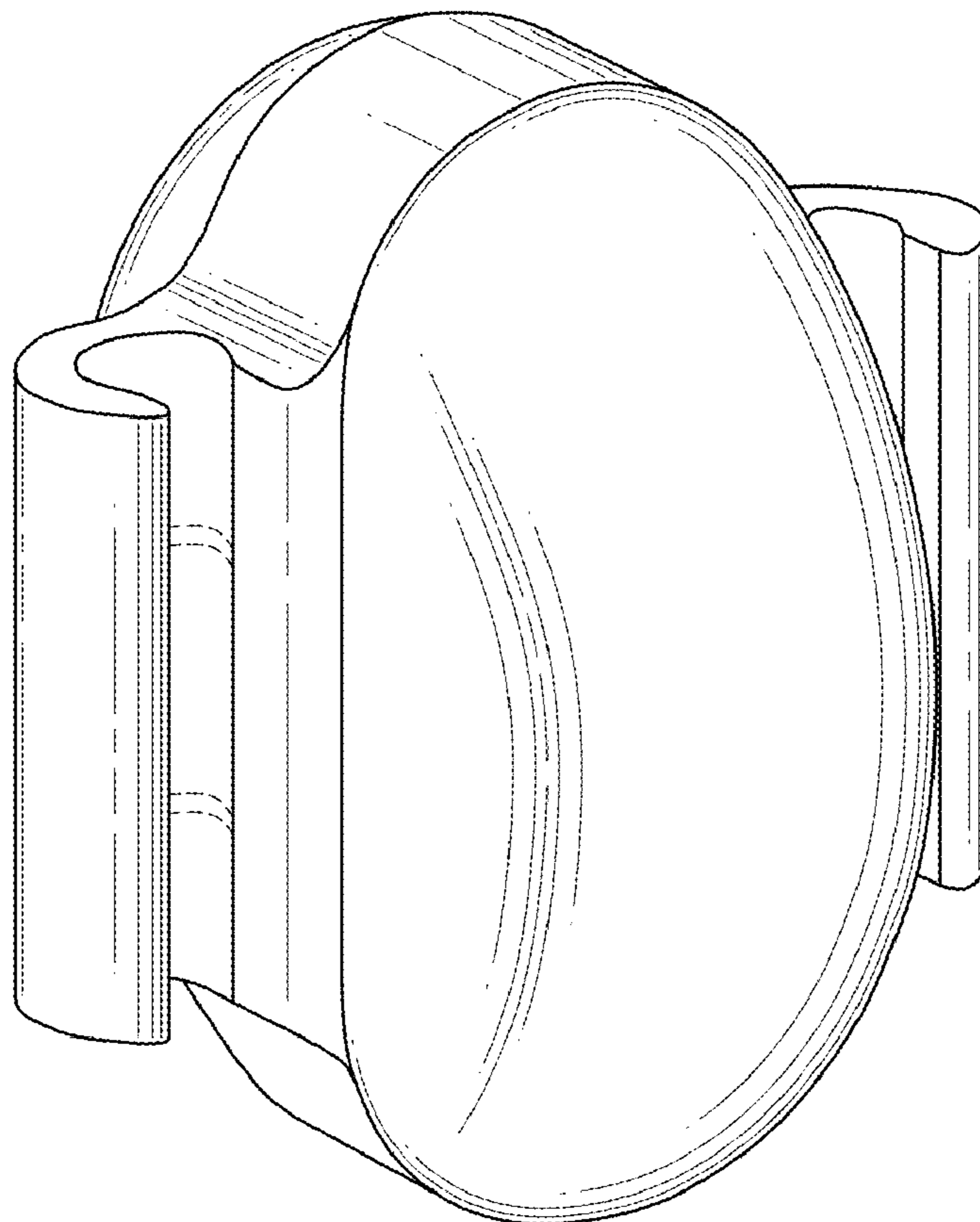
FIG. 1 is a perspective view of the light fixture showing my
new design;
FIG. 2 is a front elevational view thereof;
FIG. 3 is a rear elevational view thereof;
FIG. 4 is a top plan thereof, the bottom plan view being a
mirror image;
FIG. 5 is a right side elevational view thereof, the left side
elevational view being a mirror image; and,
FIG. 6 is a perspective view of the light fixture in use.
The broken lines shown in the drawings are included for the
purpose of illustrating portions of the article that form no
part of the claimed design.

(56) **References Cited**

U.S. PATENT DOCUMENTS

D360,046 S * 7/1995 Sugiura D26/60
D595,884 S * 7/2009 Liao D26/60

1 Claim, 6 Drawing Sheets



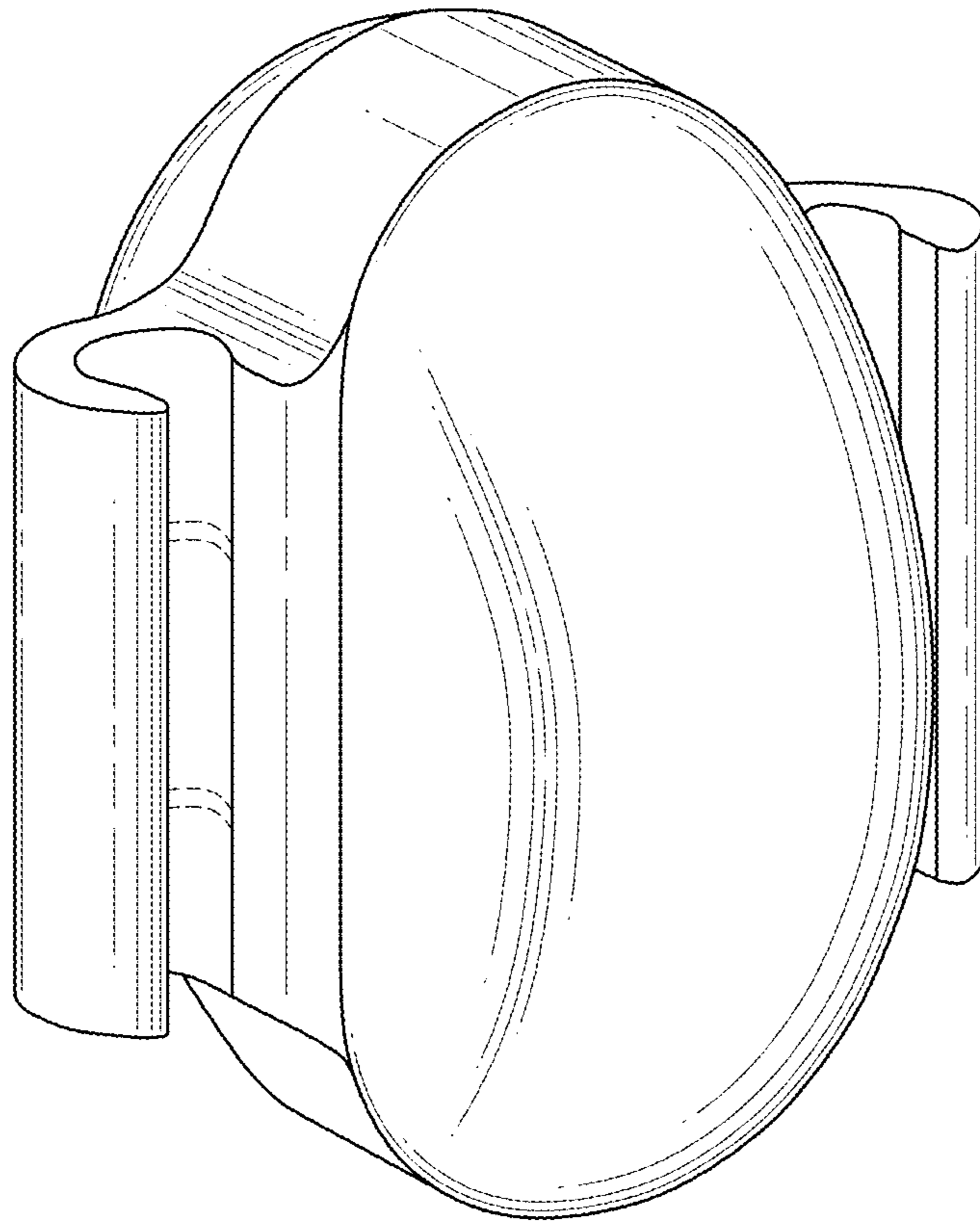


FIG. 1

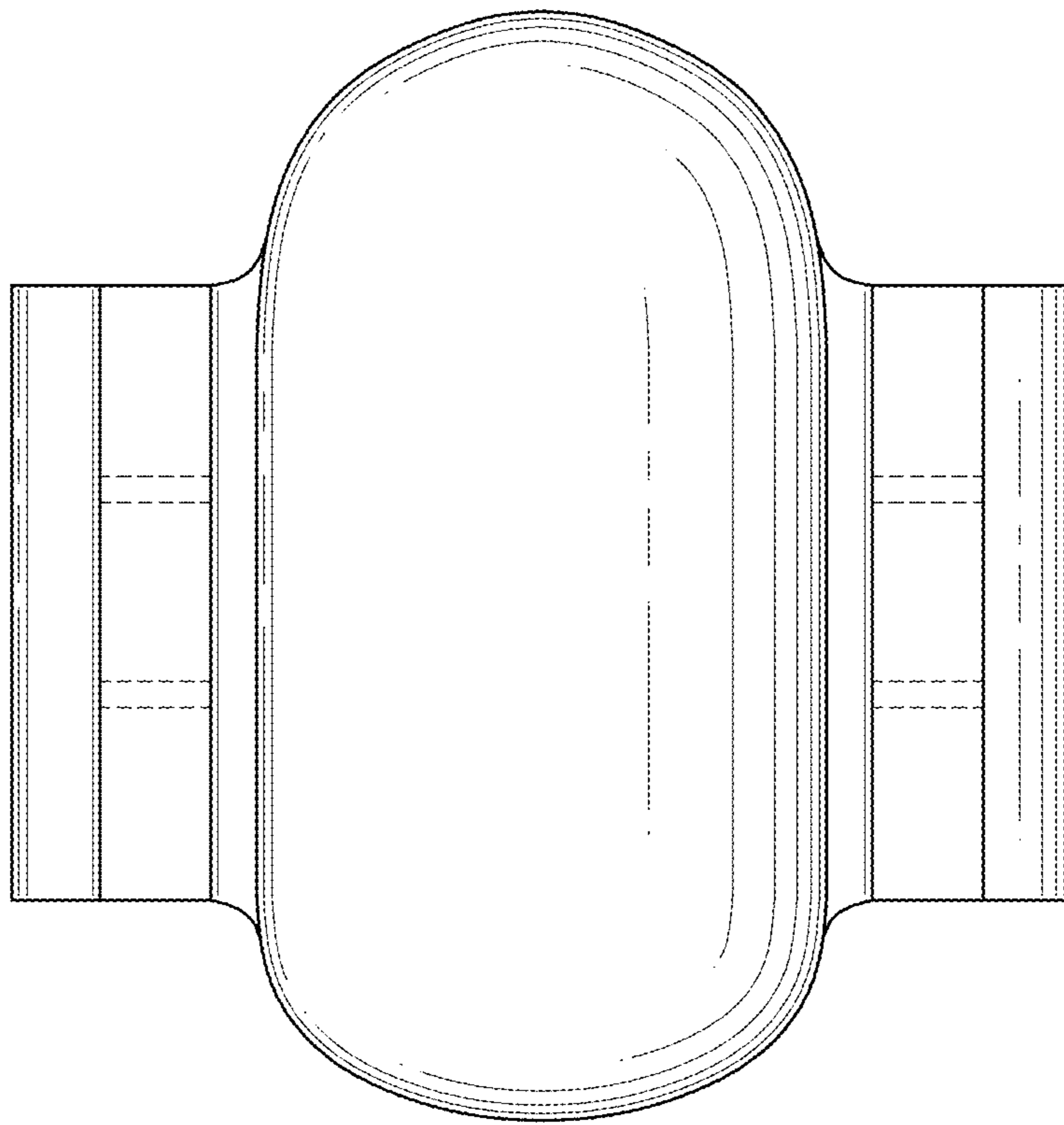


FIG.2

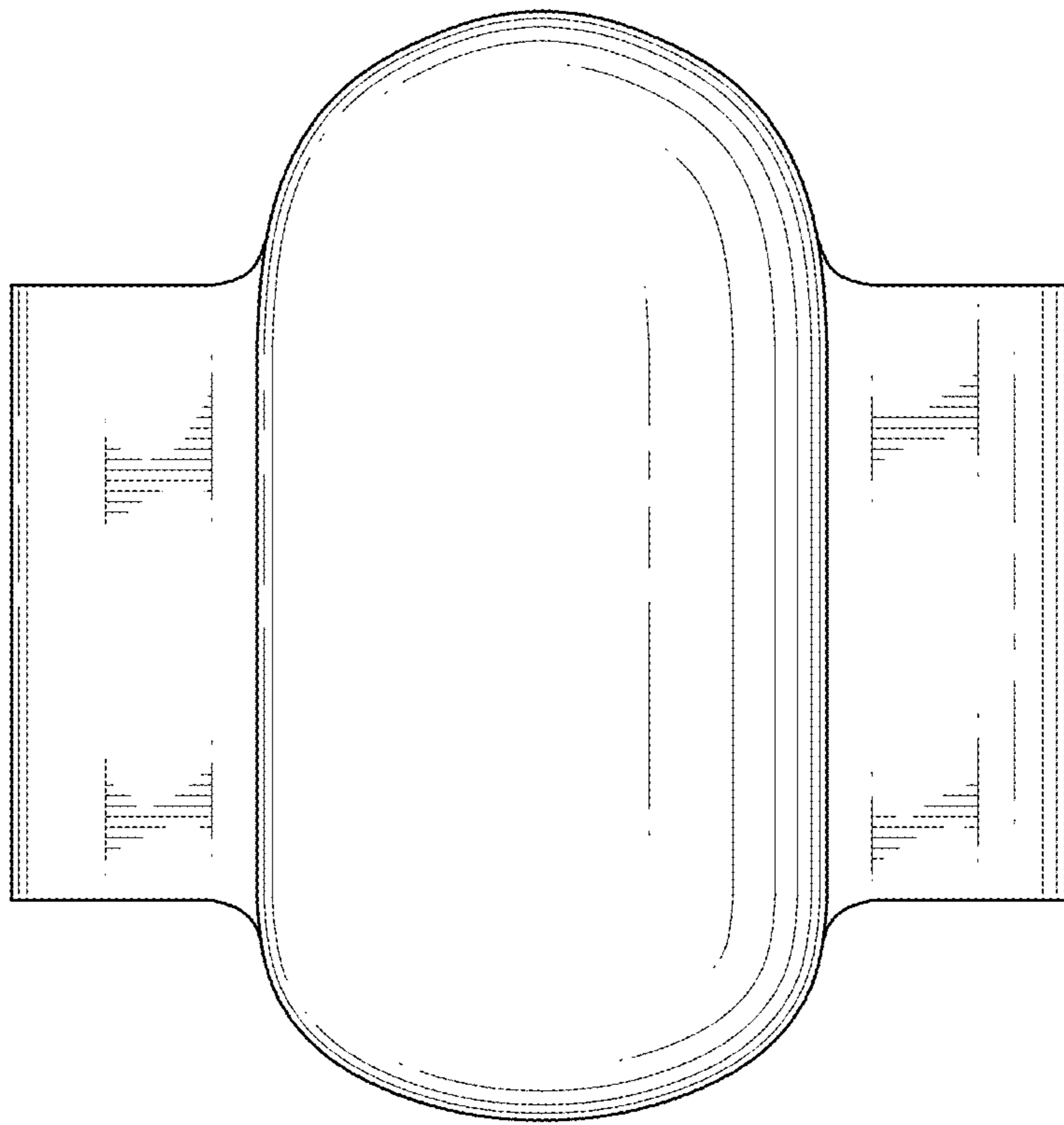


FIG. 3

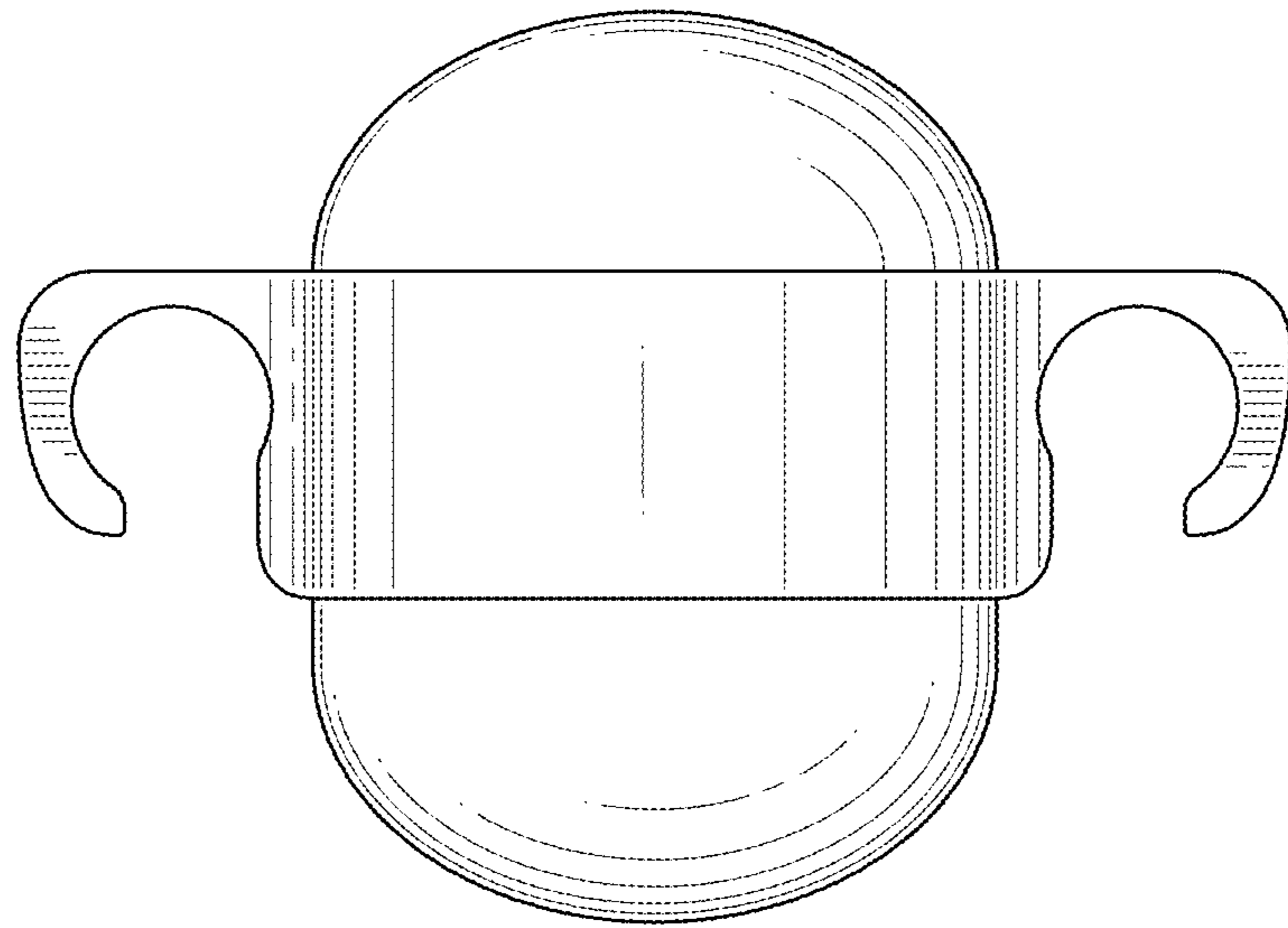


FIG. 4

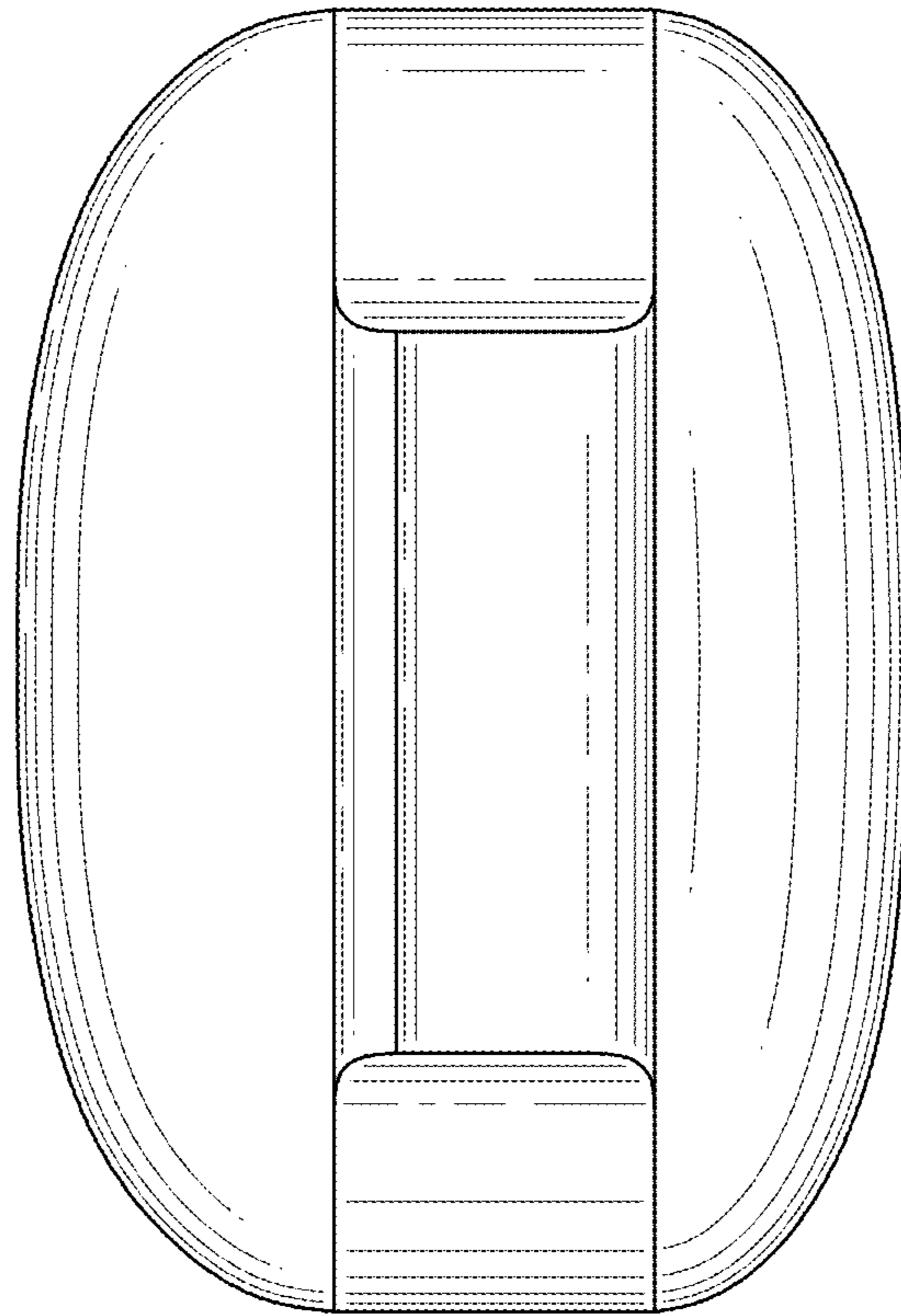


FIG. 5

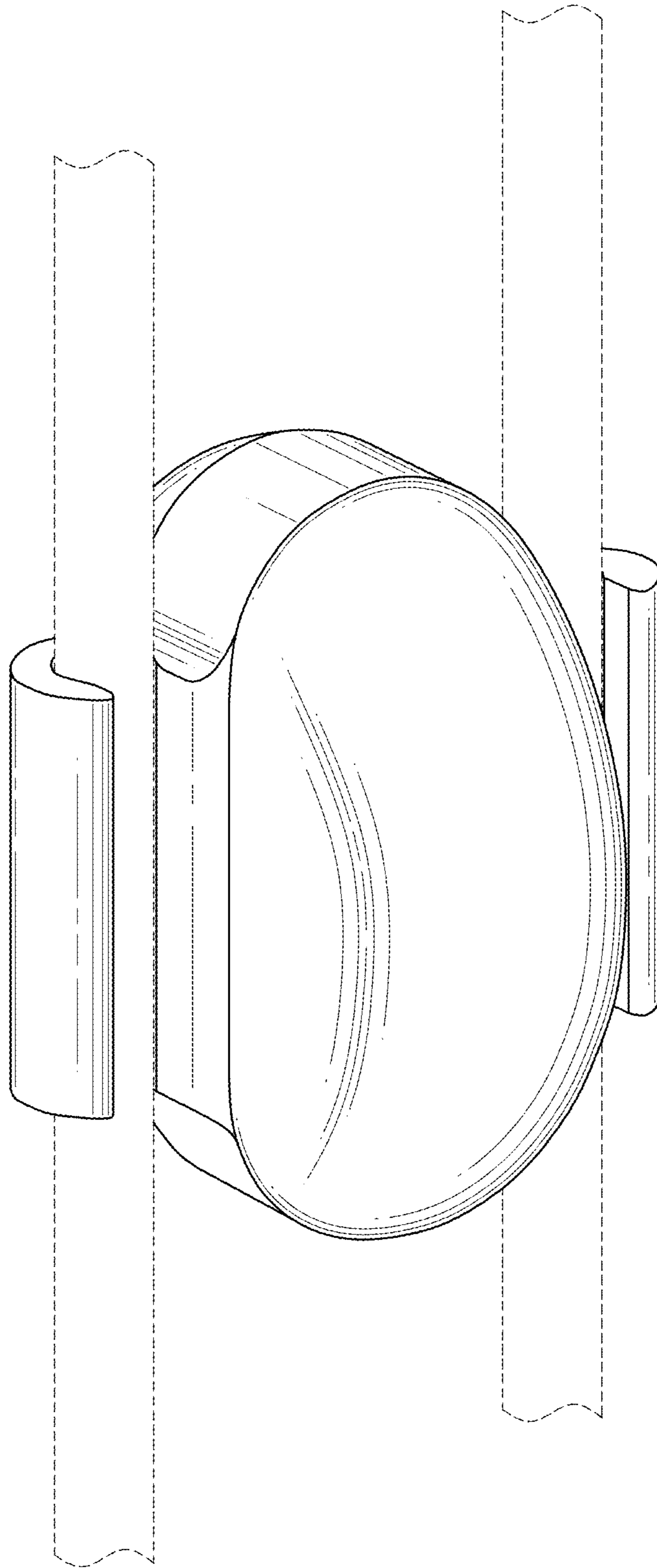


FIG. 6