



US00D788342S

(12) **United States Design Patent**  
**Beckett et al.**

(10) **Patent No.:** **US D788,342 S**

(45) **Date of Patent:** **\*\* May 30, 2017**

(54) **FLASHLIGHT**

(71) Applicant: **Dorcy International, Inc.**, Columbus, OH (US)

(72) Inventors: **Thomas Beckett**, Sunbury, OH (US);  
**Kenneth Kung**, Hong Kong (CN)

(73) Assignee: **Dorcy International, Inc.**, Columbus, OH (US)

(\*\*) Term: **15 Years**

(21) Appl. No.: **29/552,501**

(22) Filed: **Jan. 22, 2016**

(51) **LOC (10) Cl.** ..... **26-02**

(52) **U.S. Cl.**  
USPC ..... **D26/46**

(58) **Field of Classification Search**  
USPC ..... D26/37, 38, 46, 51, 49  
CPC ..... F21L 2003/00; F21L 4/00; F21L 4/005;  
F21L 4/02; F21L 4/025; F21L 4/027;  
F21L 4/04; F21L 4/08; F21L 2005/00;  
F21L 7/00; F21L 11/00; F21L 13/00;  
F21L 13/04; F21L 13/08; F21L 14/02;  
F21L 17/00; F21L 19/00

See application file for complete search history.

(56) **References Cited**

**U.S. PATENT DOCUMENTS**

- 5,836,673 A \* 11/1998 Lo ..... A41D 13/01  
362/103
- D504,740 S \* 5/2005 Dalton ..... D26/49
- D504,970 S \* 5/2005 Dalton ..... D26/49
- D553,283 S \* 10/2007 Rugendyke ..... D26/49
- D579,595 S \* 10/2008 Shiu ..... D26/49
- D596,773 S \* 7/2009 Liu ..... D26/37

- D618,838 S \* 6/2010 Smith ..... D26/49
- D620,162 S \* 7/2010 Liu ..... D26/49
- D669,603 S \* 10/2012 Miyashita ..... D26/1
- D726,942 S \* 4/2015 Kovac ..... D26/39
- D735,922 S \* 8/2015 Yamauchi ..... D16/239
- D748,834 S \* 2/2016 Huang ..... D26/38

\* cited by examiner

*Primary Examiner* — Lakiya Rogers

*Assistant Examiner* — Carissa C Fitts

(74) *Attorney, Agent, or Firm* — Kilpatrick Townsend & Stockton LLP

(57) **CLAIM**

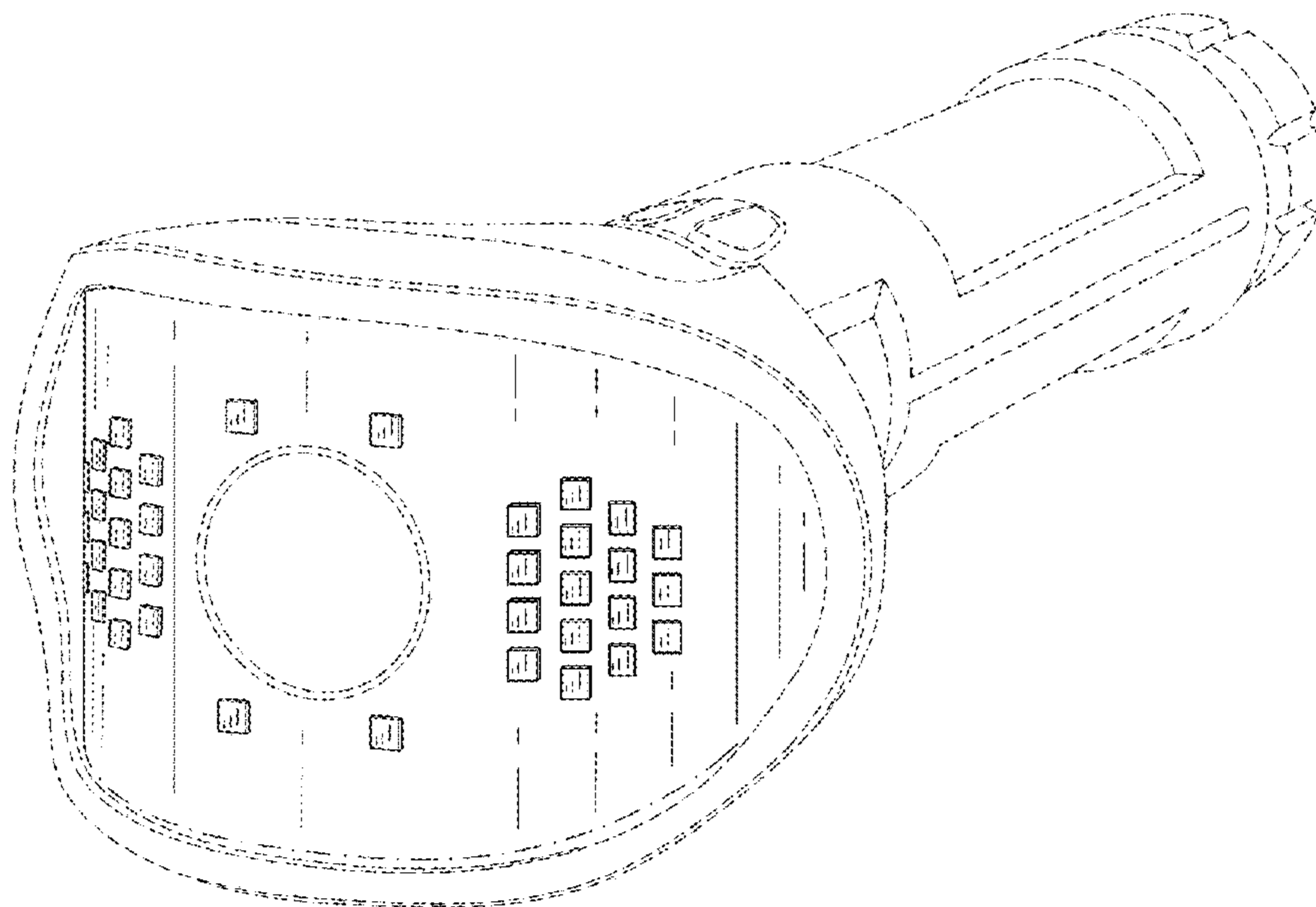
The ornamental design for a flashlight, as shown and described.

**DESCRIPTION**

FIG. 1 is a perspective view of a flashlight.  
 FIG. 2 is another perspective view of the flashlight of FIG. 1.  
 FIG. 3 is a front view of the flashlight of FIG. 1.  
 FIG. 4 is a rear view of the flashlight of FIG. 1.  
 FIG. 5 is a right side view of the flashlight of FIG. 1.  
 FIG. 6 is a left side view of the flashlight of FIG. 1.  
 FIG. 7 is a top view of the flashlight of FIG. 1.  
 FIG. 8 is a bottom view of the flashlight of FIG. 1; and,  
 FIG. 9 is a partial section view, taken along line 9-9 shown in FIG. 3, and is included to further illustrate the shape of the surfaces of the flashlight.

The dash-dot broken lines represent an unclaimed boundary of the claimed design. All other broken lines show portions of the article not claimed. The broken lines form no part of the claimed design.

**1 Claim, 8 Drawing Sheets**



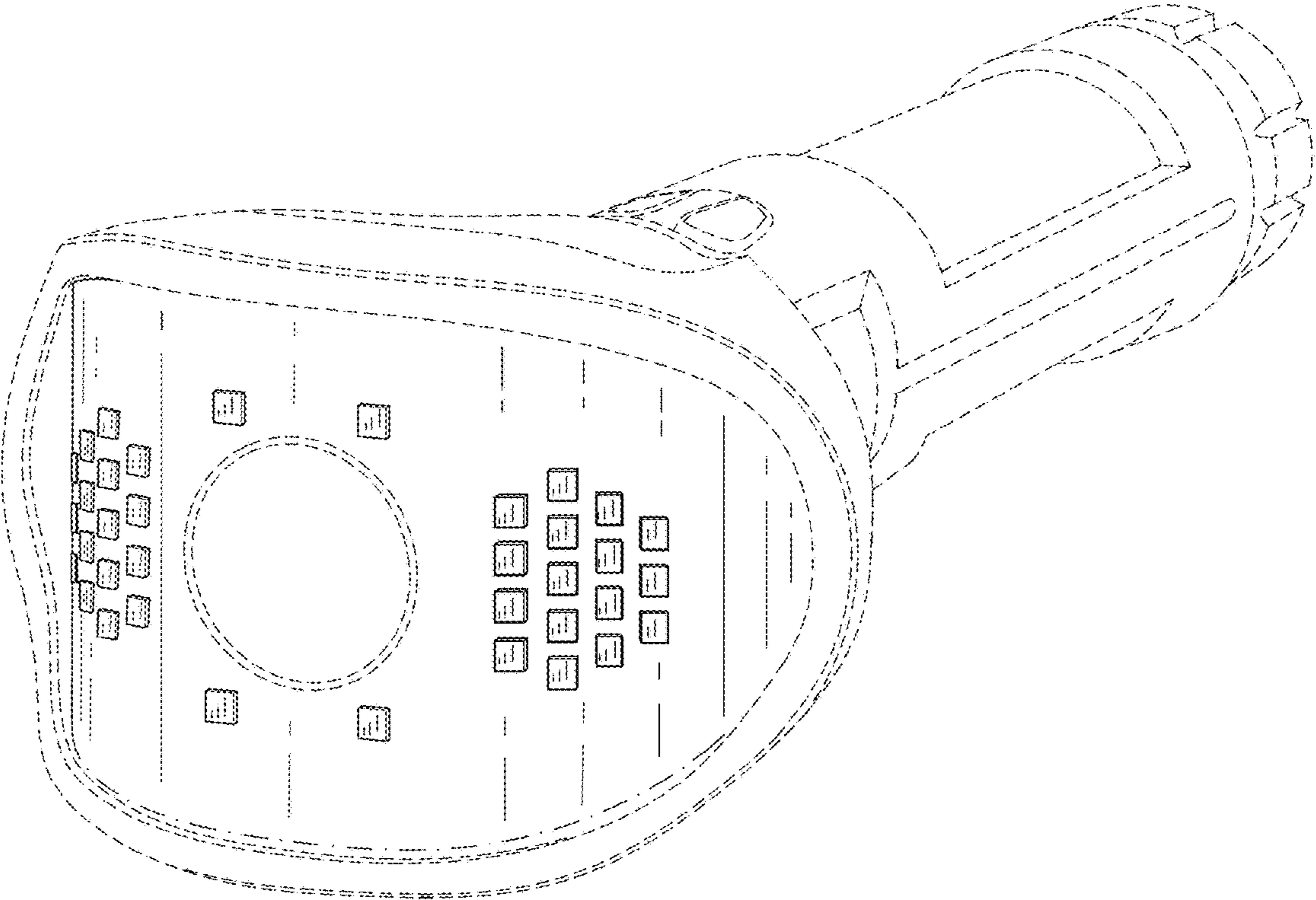


FIG. 1

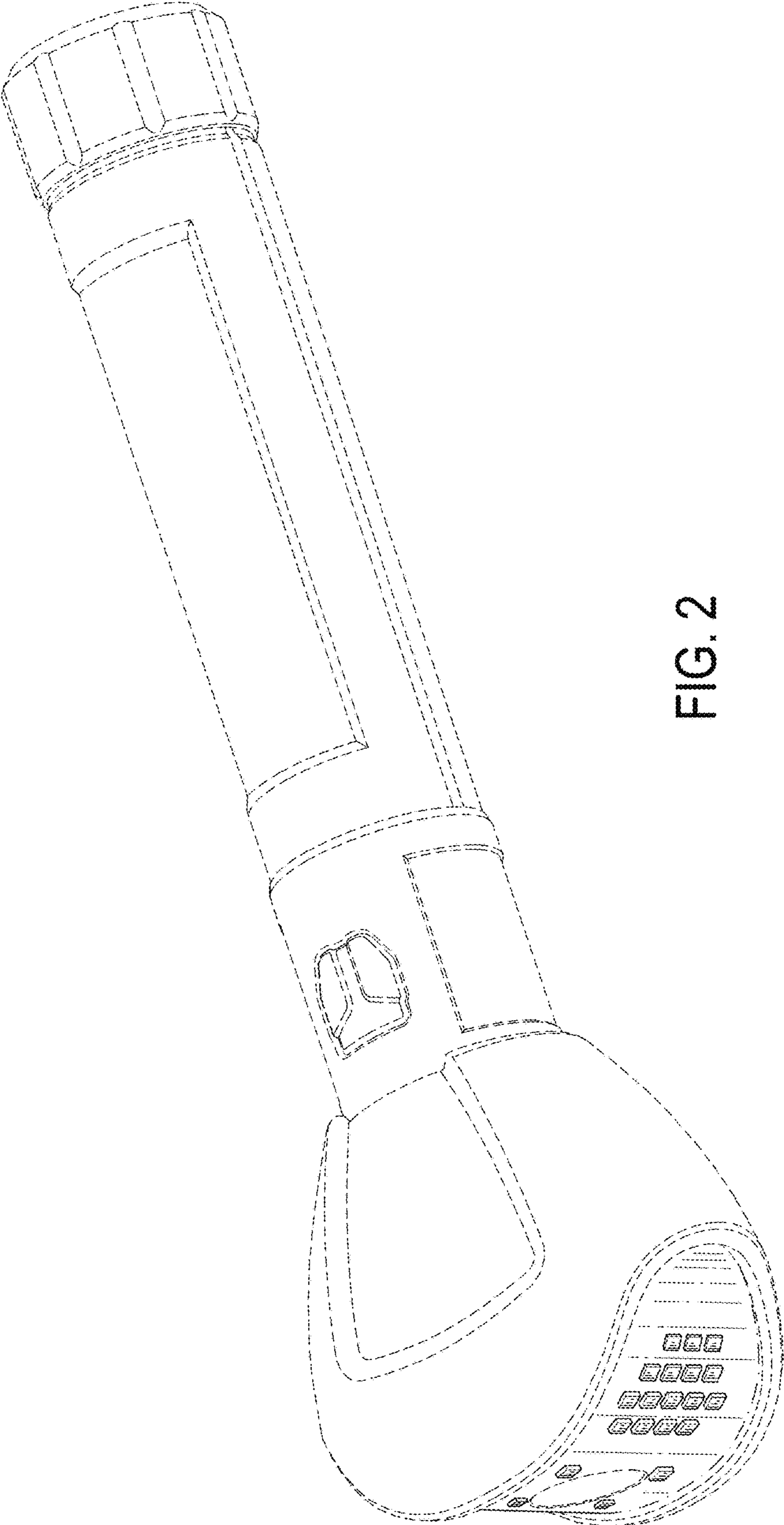


FIG. 2

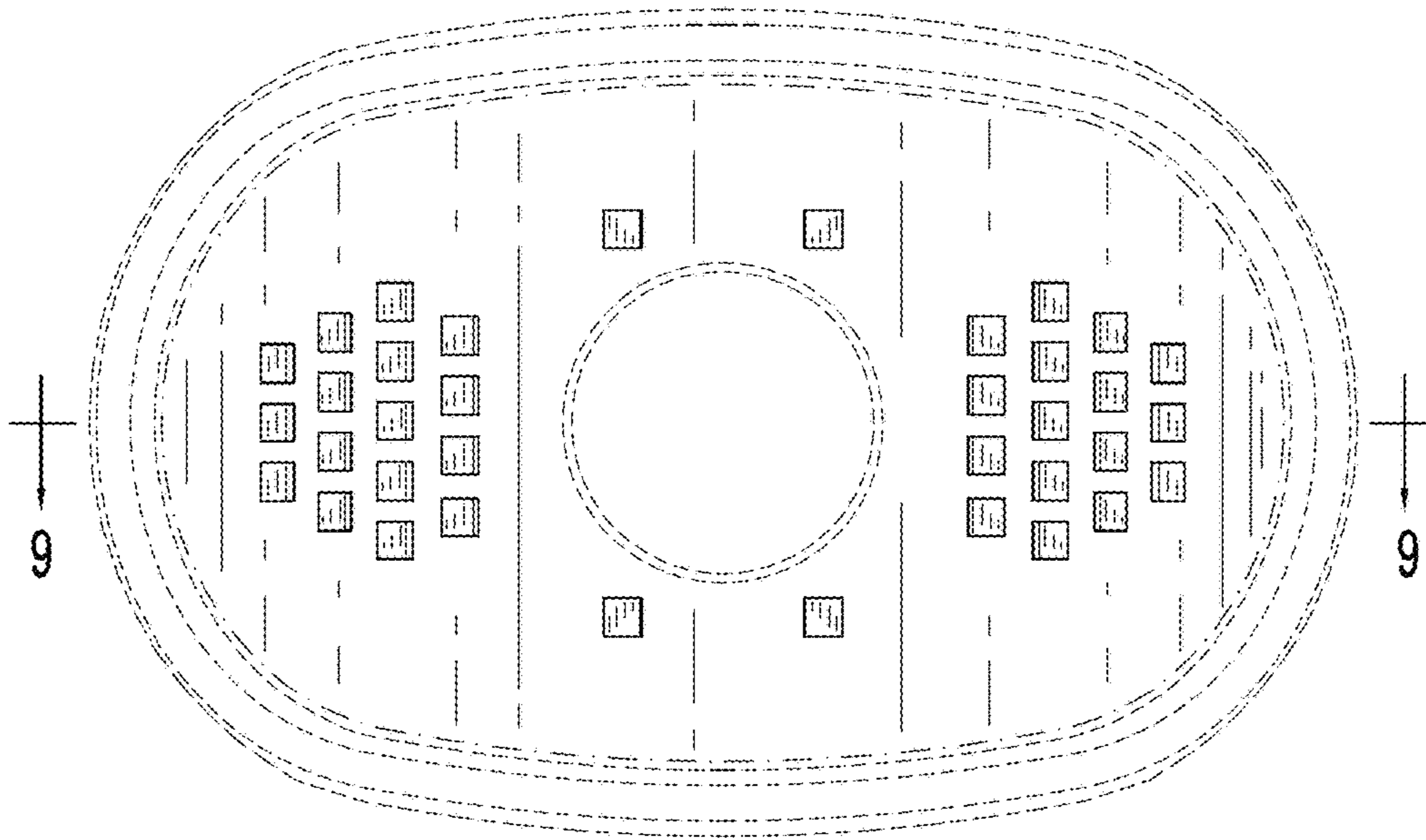


FIG. 3

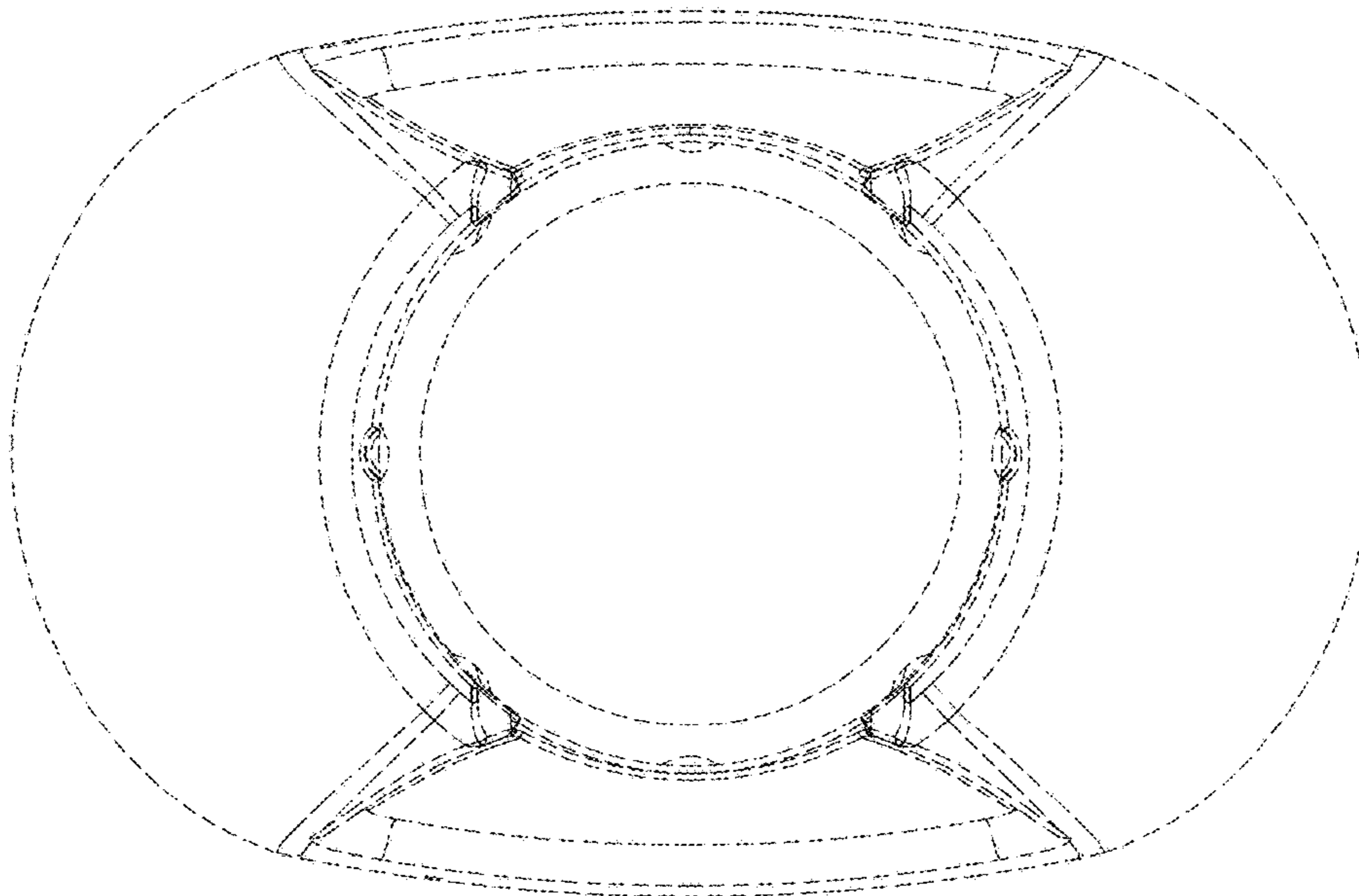


FIG. 4

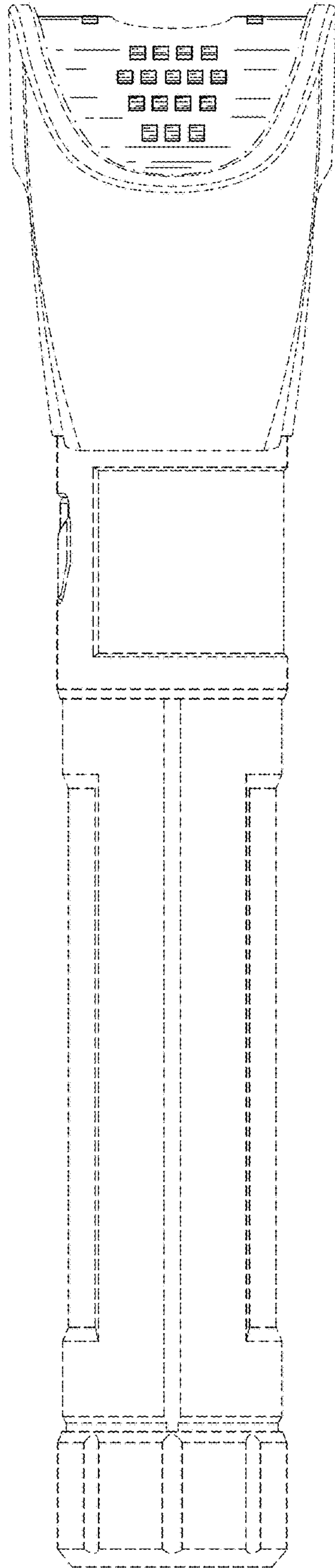


FIG. 5

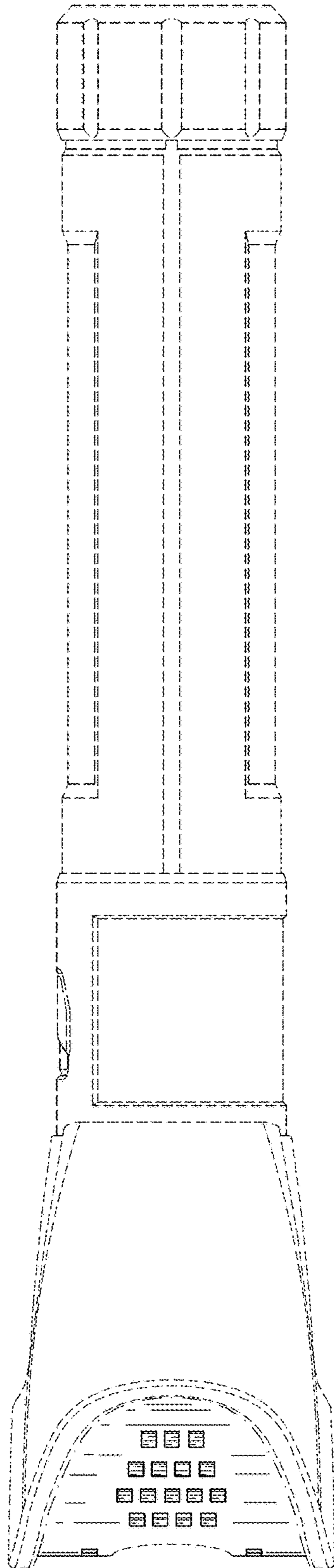


FIG. 6

Replacement Sheet  
Application No. 29/552,501

6/8

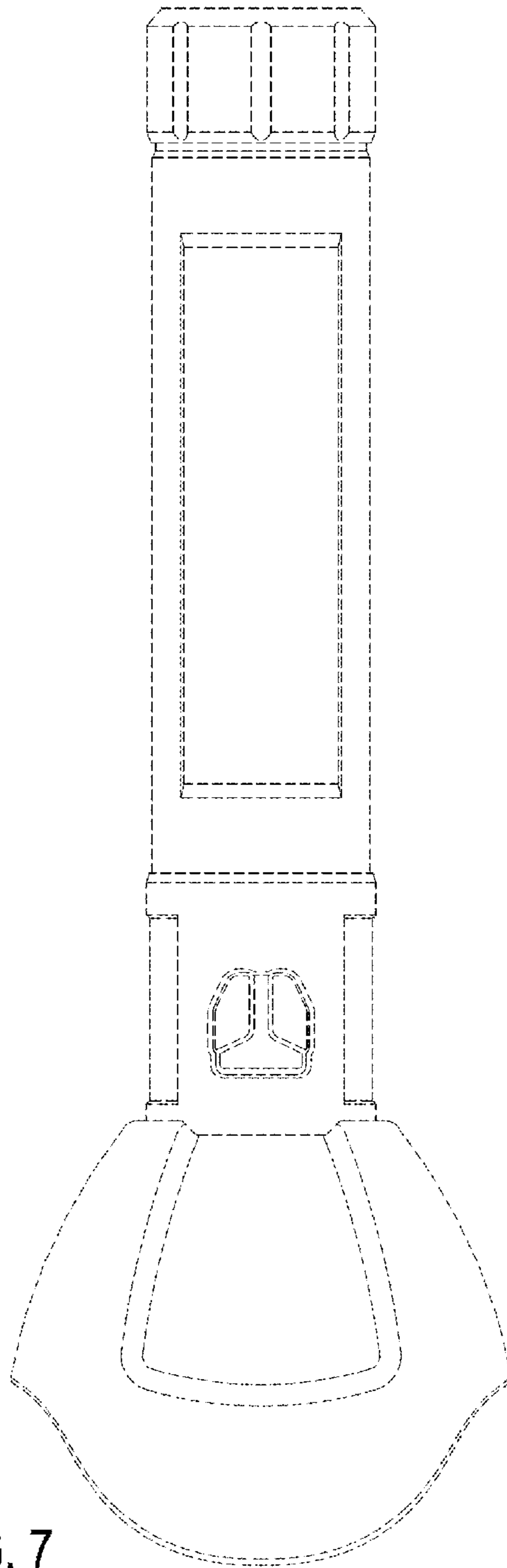


FIG. 7

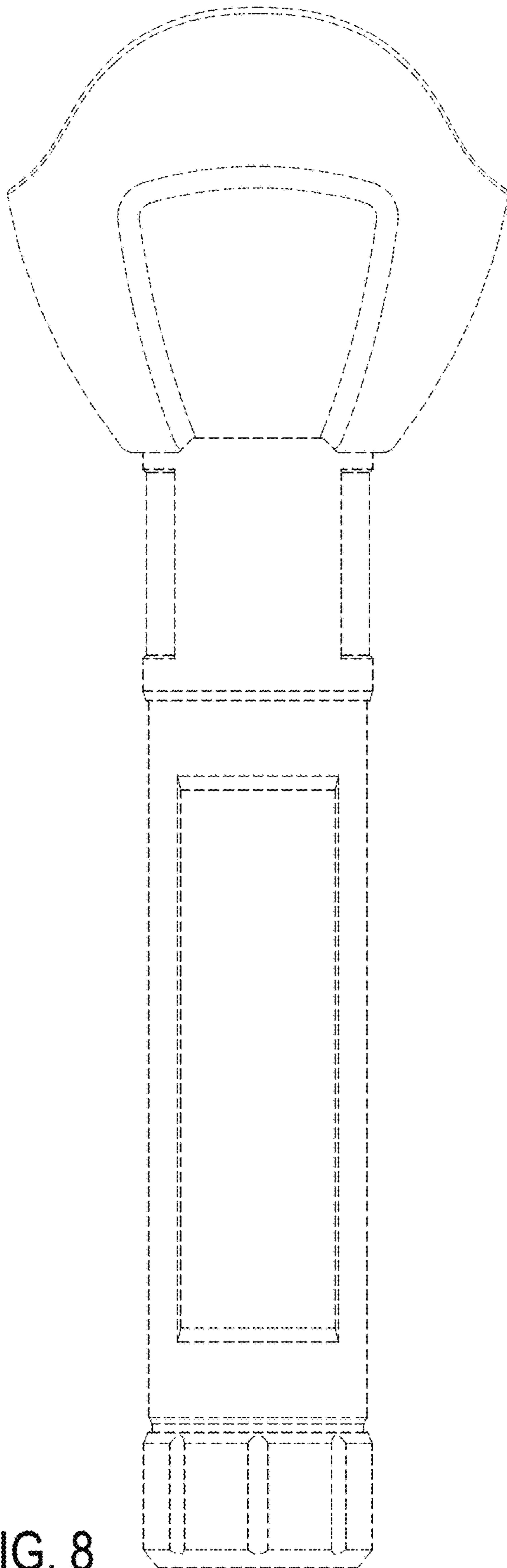


FIG. 8



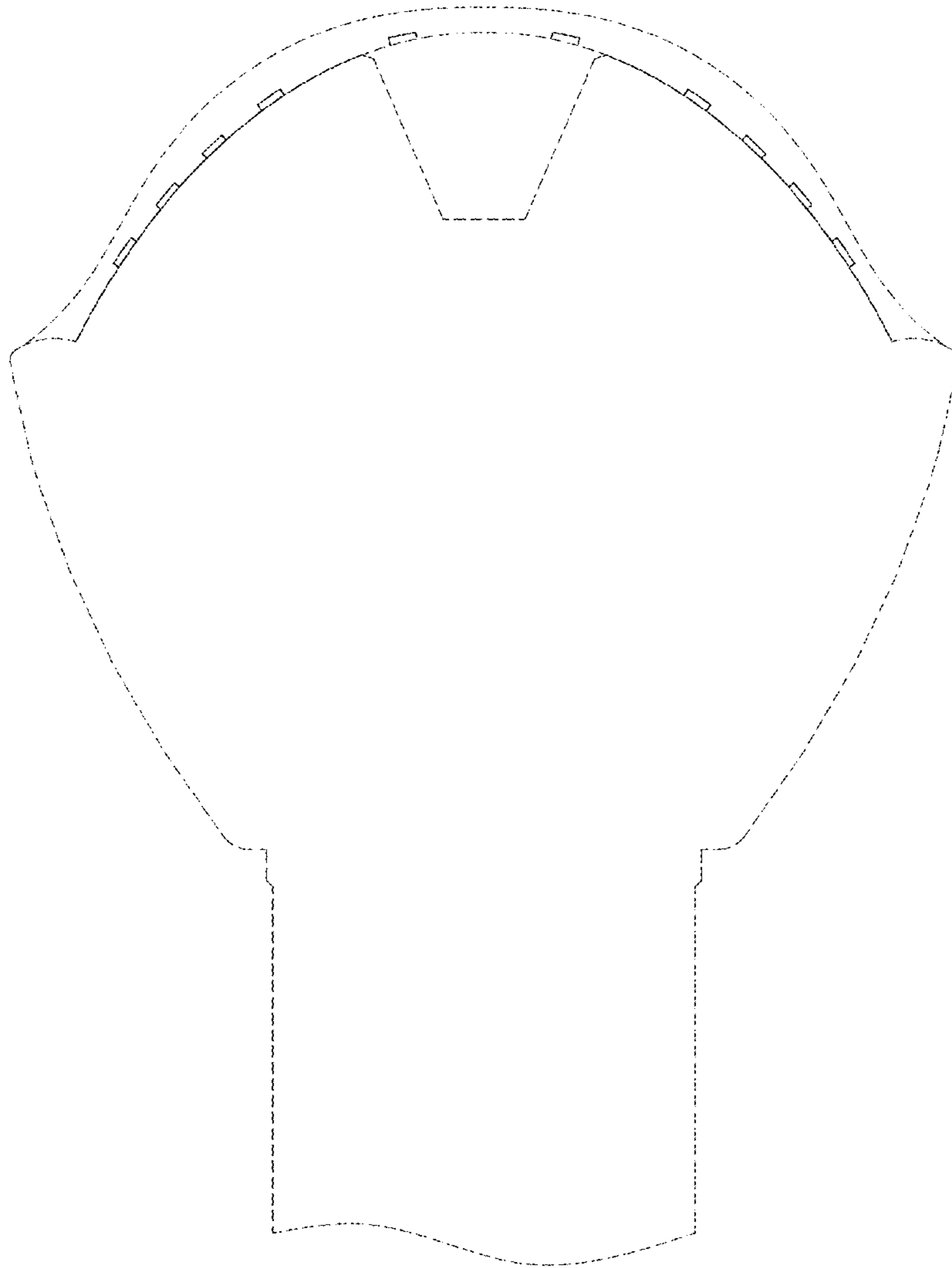


FIG. 9