

US00D788341S

(12) **United States Design Patent**
Inskeep

(10) **Patent No.:** **US D788,341 S**

(45) **Date of Patent:** **** May 30, 2017**

(54) **SPOTLIGHT**

(71) Applicant: **Mathew Inskeep**, Highland Beach, FL
(US)

(72) Inventor: **Mathew Inskeep**, Highland Beach, FL
(US)

(**) Term: **15 Years**

(21) Appl. No.: **29/557,497**

(22) Filed: **Mar. 9, 2016**

(51) **LOC (10) Cl.** **26-02**

(52) **U.S. Cl.**
USPC **D26/45**

(58) **Field of Classification Search**
USPC D26/37, 38, 44, 42, 43, 46, 48, 49, 51,
D26/45, 50
CPC F21L 2003/00; F21L 4/00; F21L 4/005;
F21L 4/02; F21L 4/025; F21L 4/027;
F21L 4/04; F21L 4/08; F21L 2005/00;
F21L 7/00; F21L 11/00; F21L 13/00;
F21L 13/04; F21L 13/08; F21L 14/02;
F21L 17/00; F21L 19/00

See application file for complete search history.

(56) **References Cited**

U.S. PATENT DOCUMENTS

D603,540 S *	11/2009	Shum	D26/45
D658,325 S *	4/2012	Inskeep	D26/45
D662,240 S *	6/2012	Inskeep	D26/45
D673,705 S *	1/2013	Inskeep	D26/45
D673,706 S *	1/2013	Inskeep	D26/45

D673,707 S *	1/2013	Inskeep	D26/45
D702,383 S *	4/2014	Inskeep	D26/45
D711,029 S *	8/2014	Schnell	D26/45
D748,310 S *	1/2016	Inskeep	D26/45
D754,380 S *	4/2016	Inskeep	D26/45
D754,381 S *	4/2016	Inskeep	D26/45
D759,870 S *	6/2016	Hine	D26/45

* cited by examiner

Primary Examiner — Lakiya Rogers

Assistant Examiner — Carissa C Fitts

(57) **CLAIM**

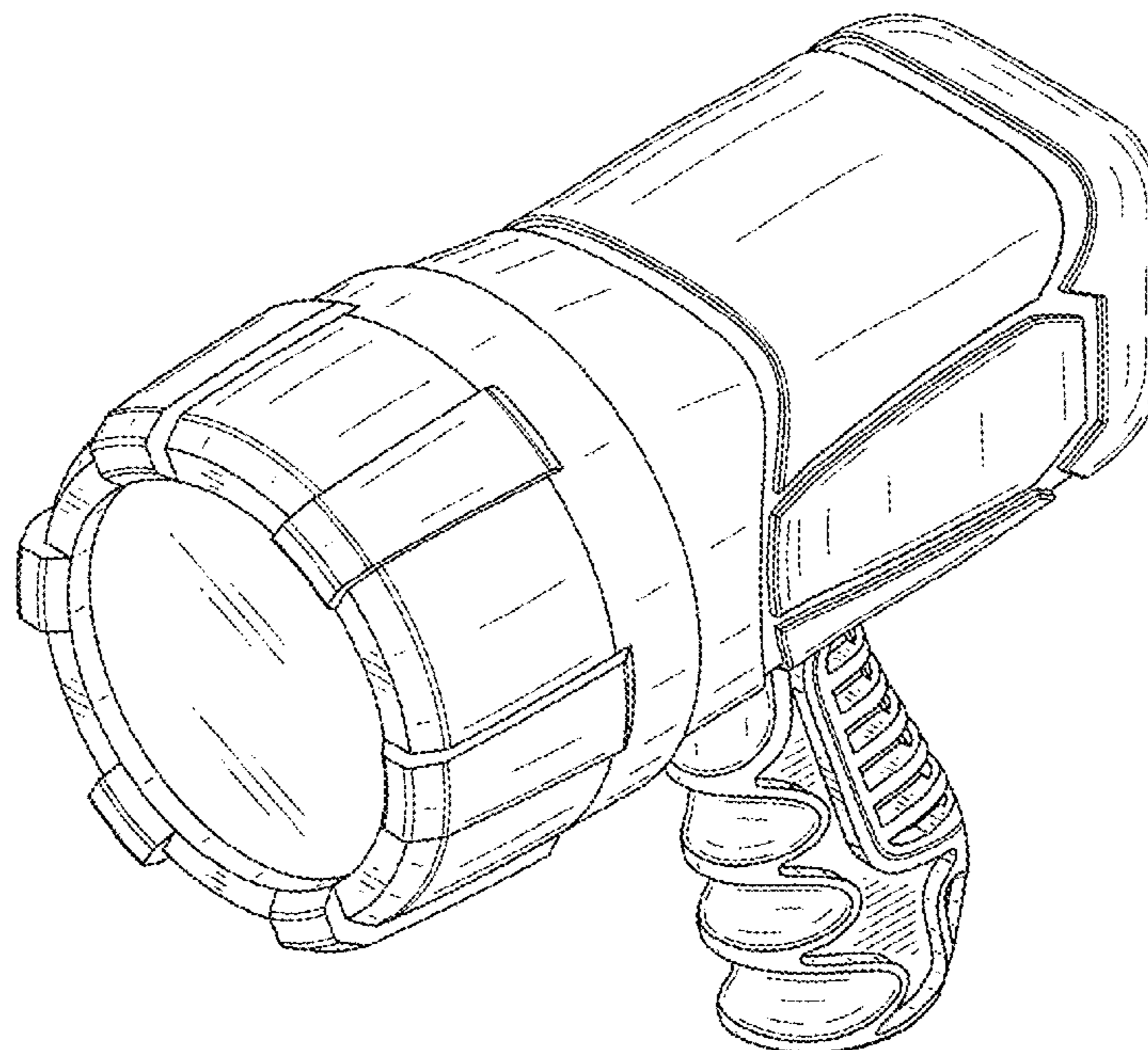
The ornamental design for a spotlight, as shown and described.

DESCRIPTION

FIG. 1 is a perspective view of the spotlight showing my new design.
FIG. 2 is a right side bottom perspective view thereof.
FIG. 3 is a back perspective view thereof.
FIG. 4 is a left side bottom perspective view thereof.
FIG. 5 is a top view thereof.
FIG. 6 is a bottom view thereof.
FIG. 7 is a right side view thereof.
FIG. 8 is a left side view thereof with docking station.
FIG. 9 is a front view thereof.
FIG. 10 is a back view thereof; and,
FIG. 11 is a bottom perspective view thereof with docking station.

The broken lines in the drawings depict portions of the spotlight that form no part of the claimed design.

1 Claim, 11 Drawing Sheets



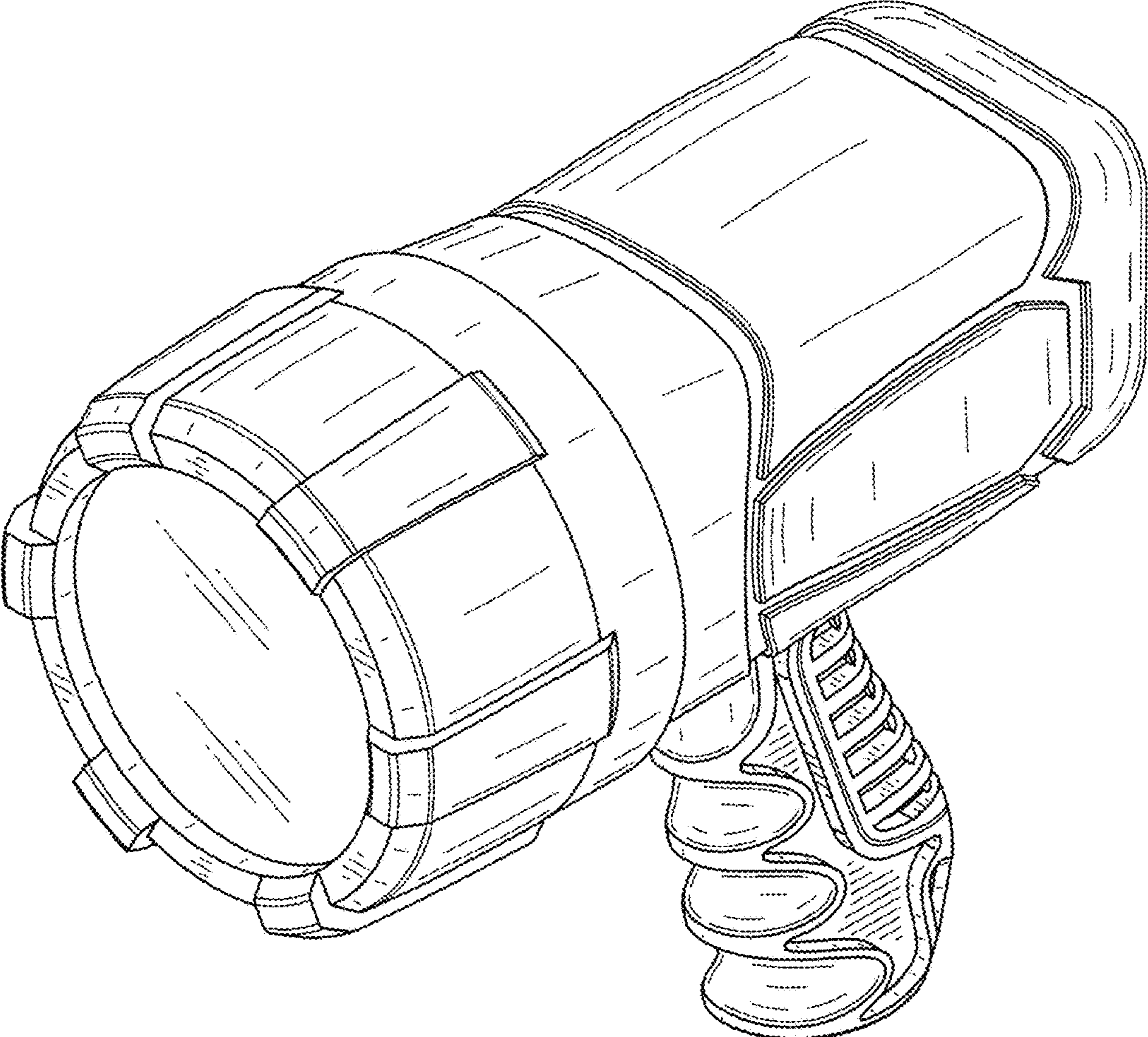


FIG. 1

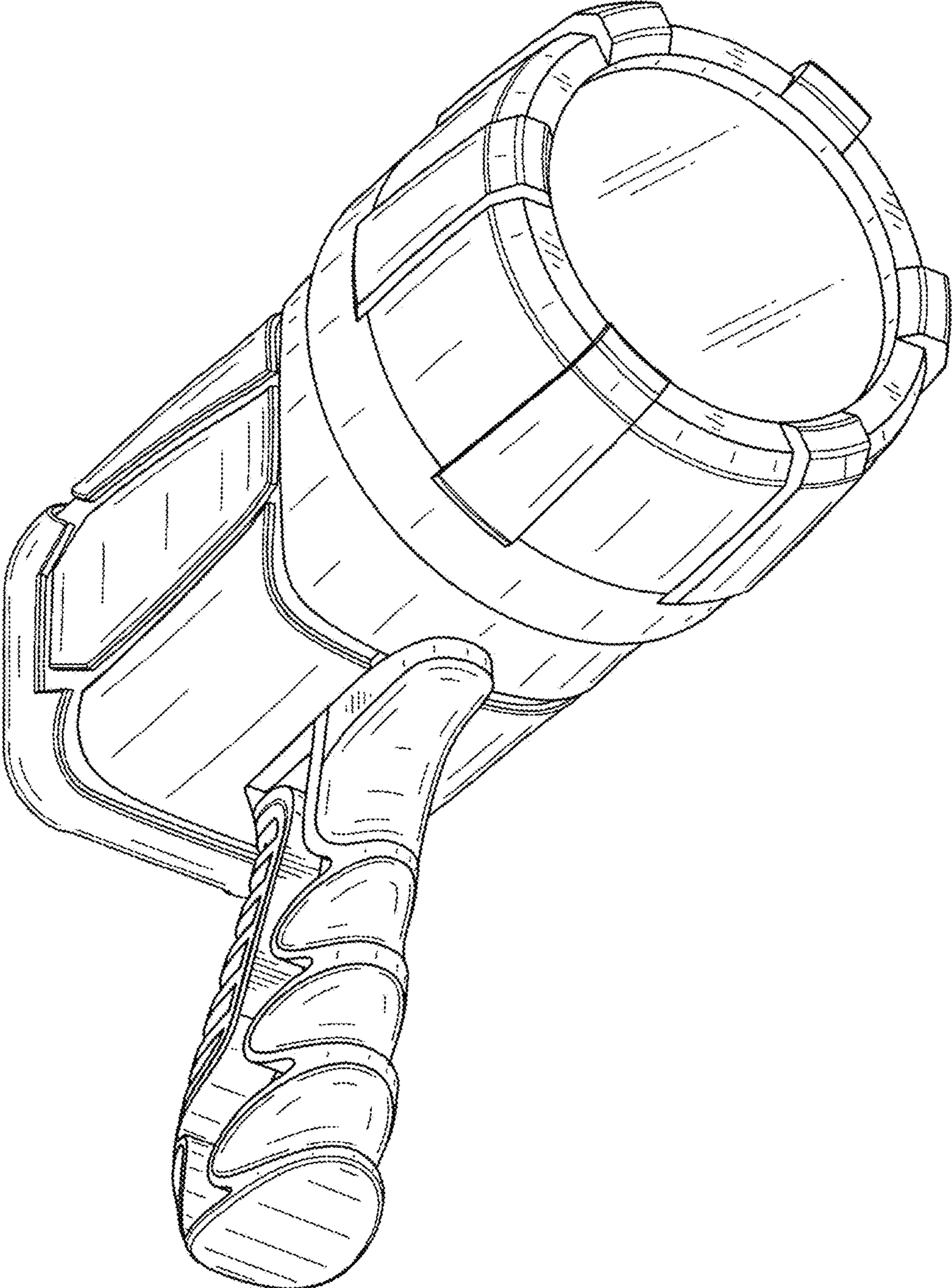


FIG. 2

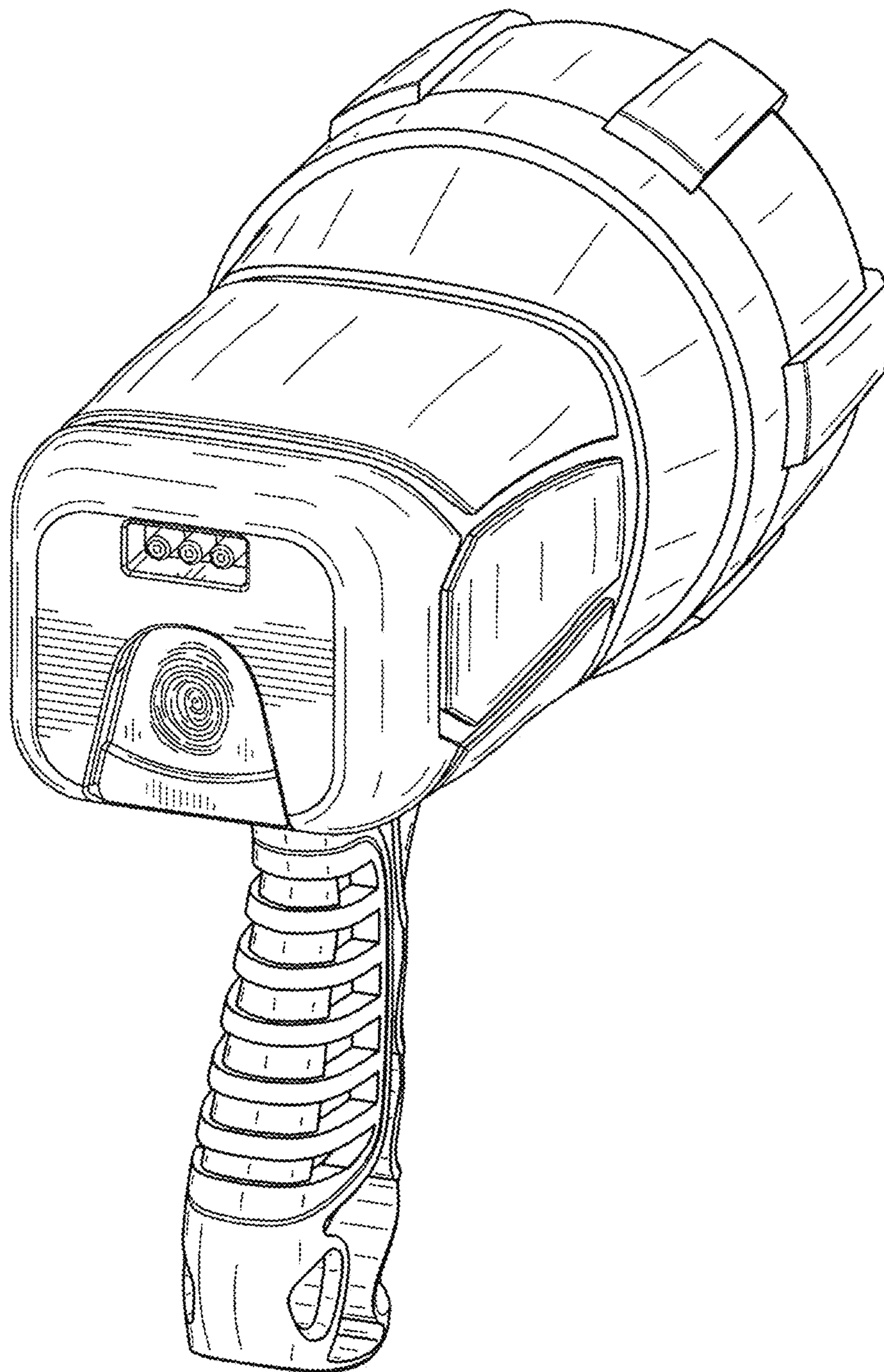


FIG. 3

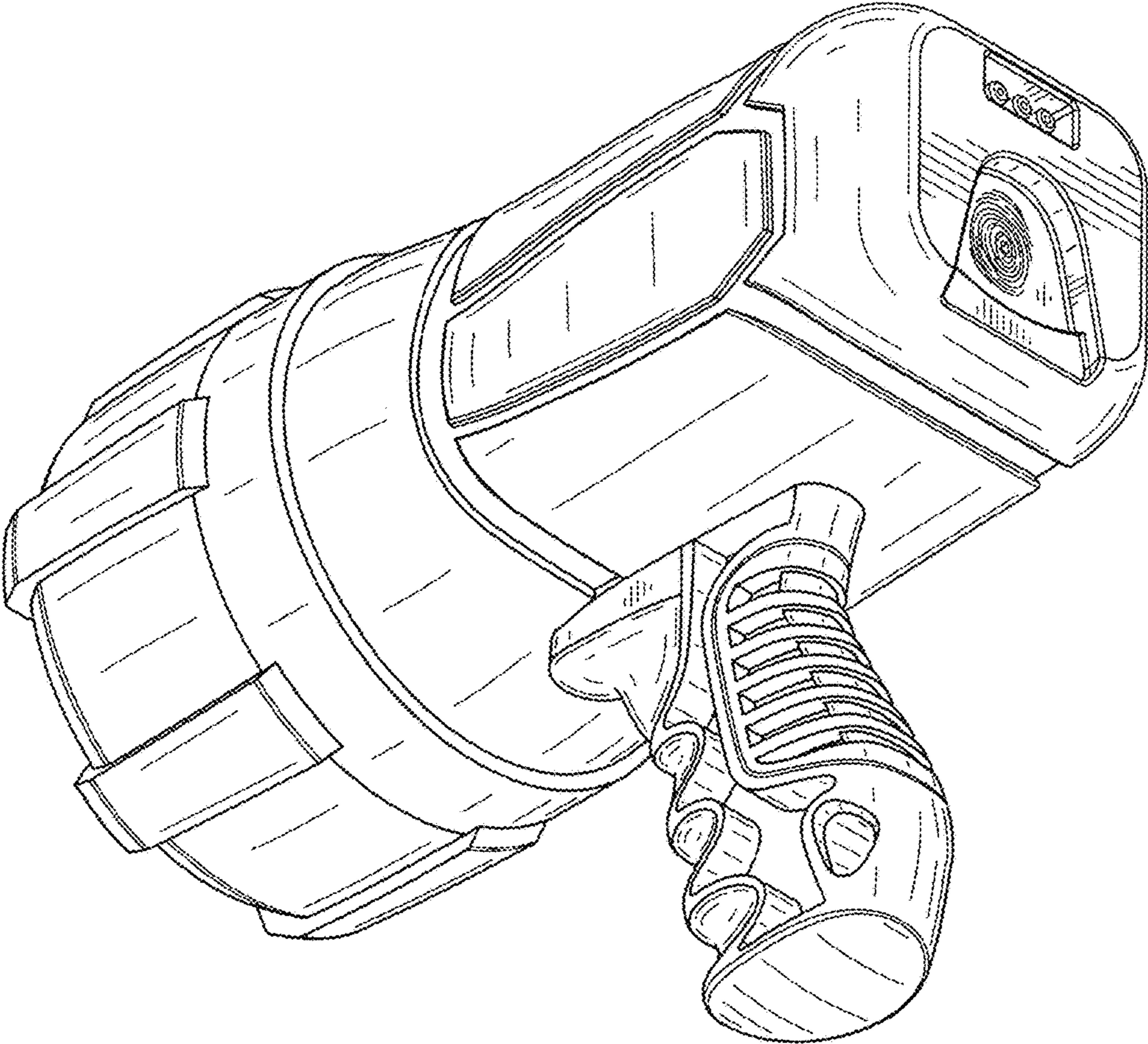


FIG. 4

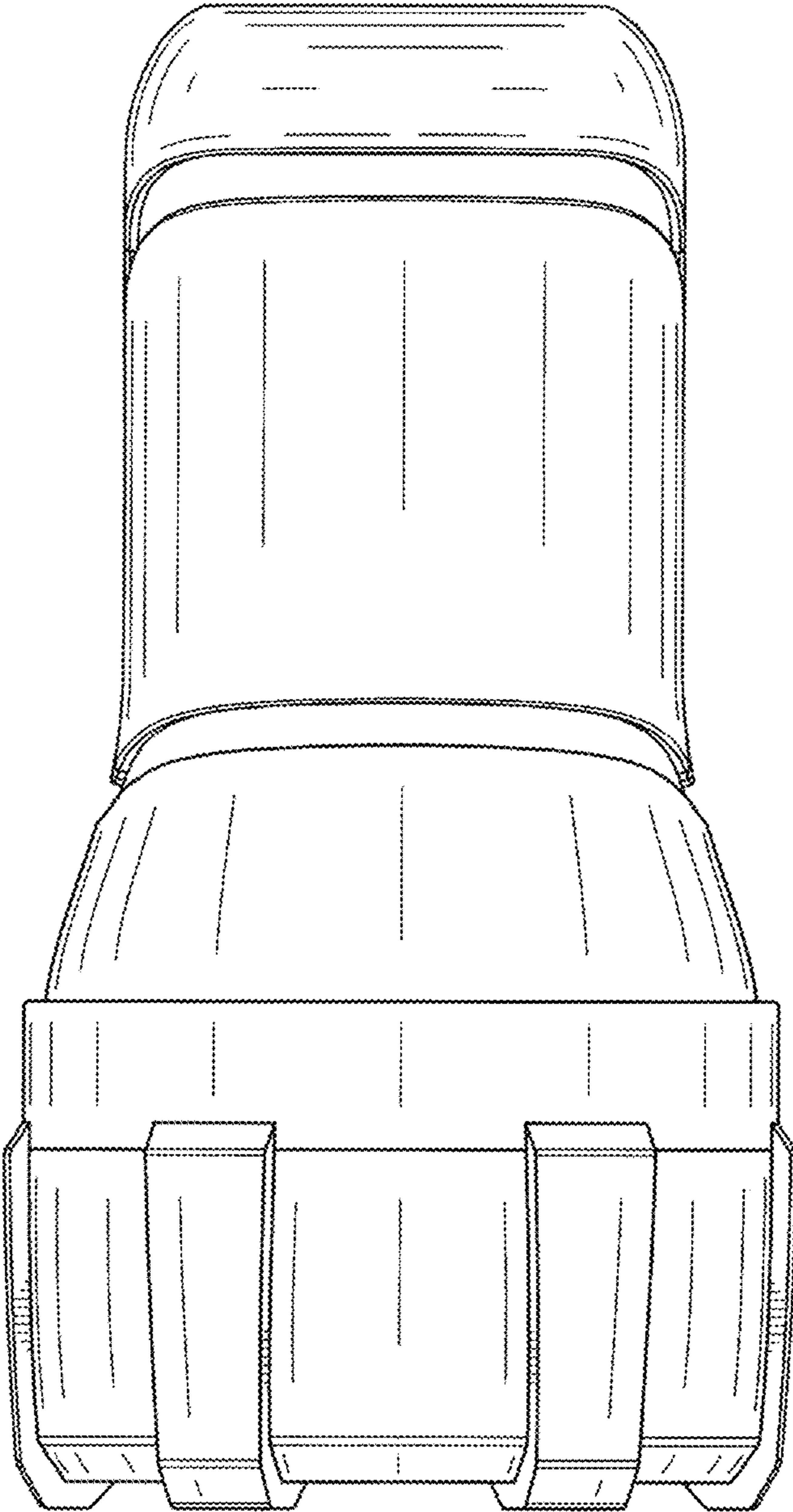


FIG. 5

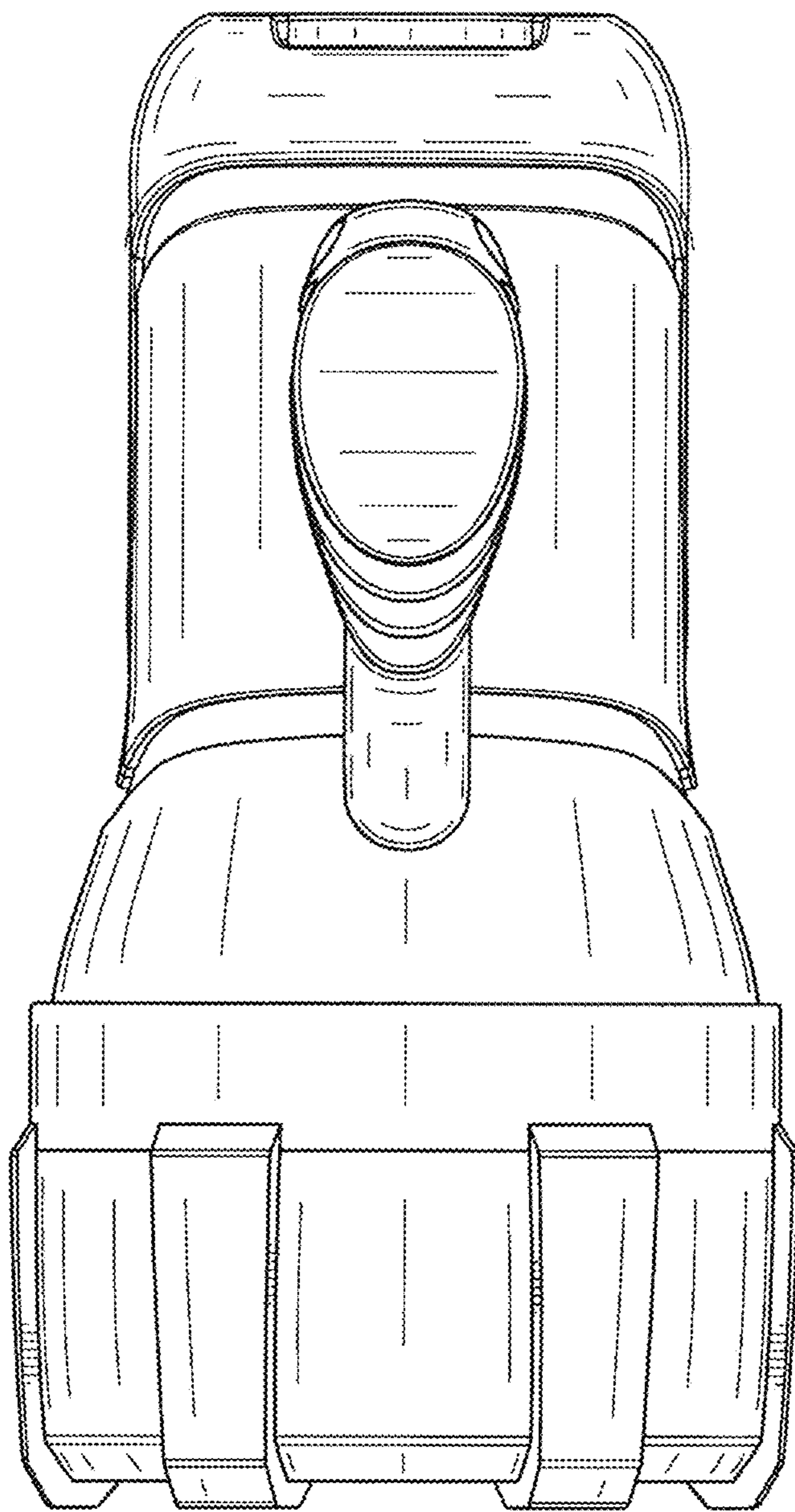


FIG. 6

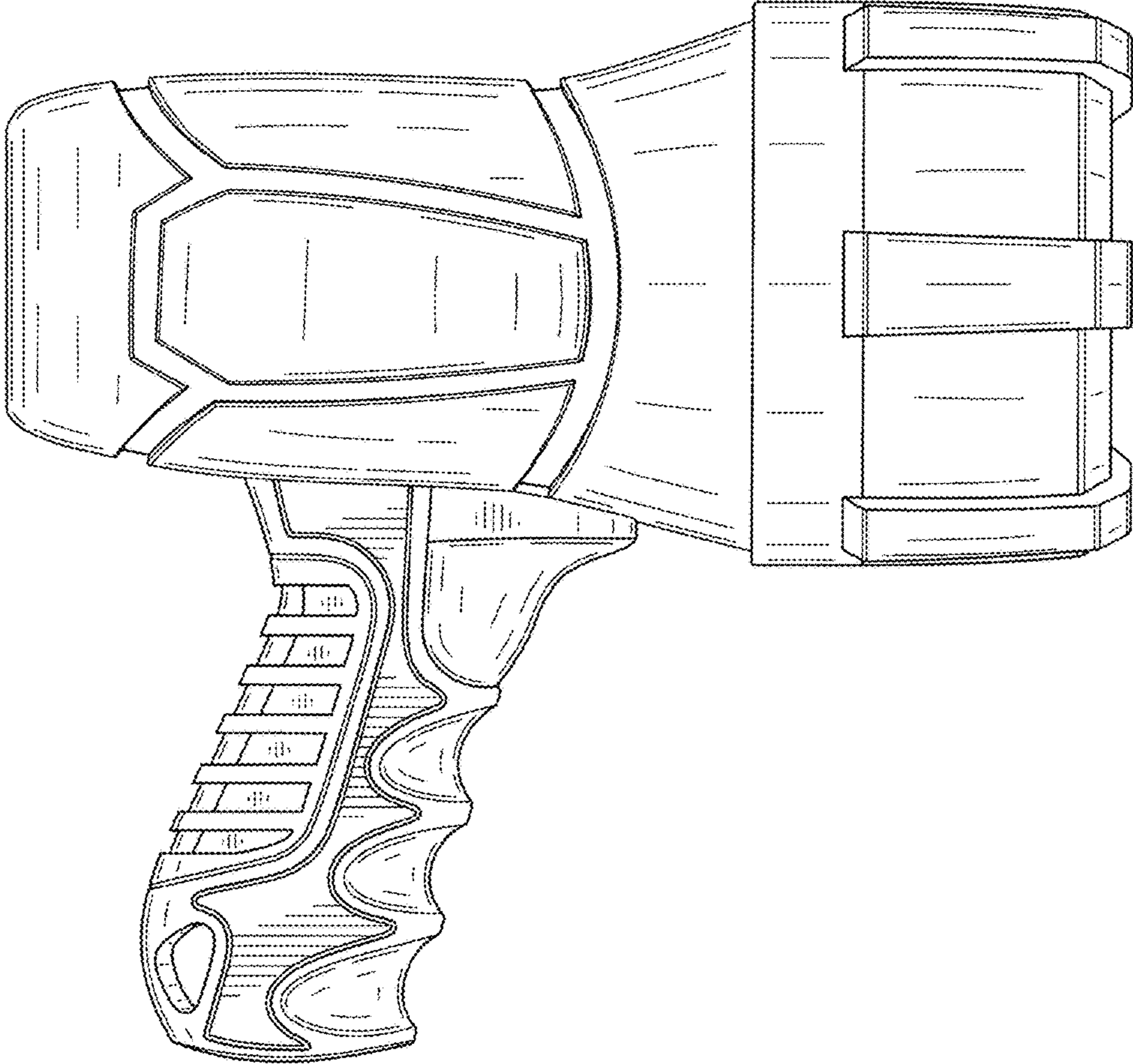


FIG. 7

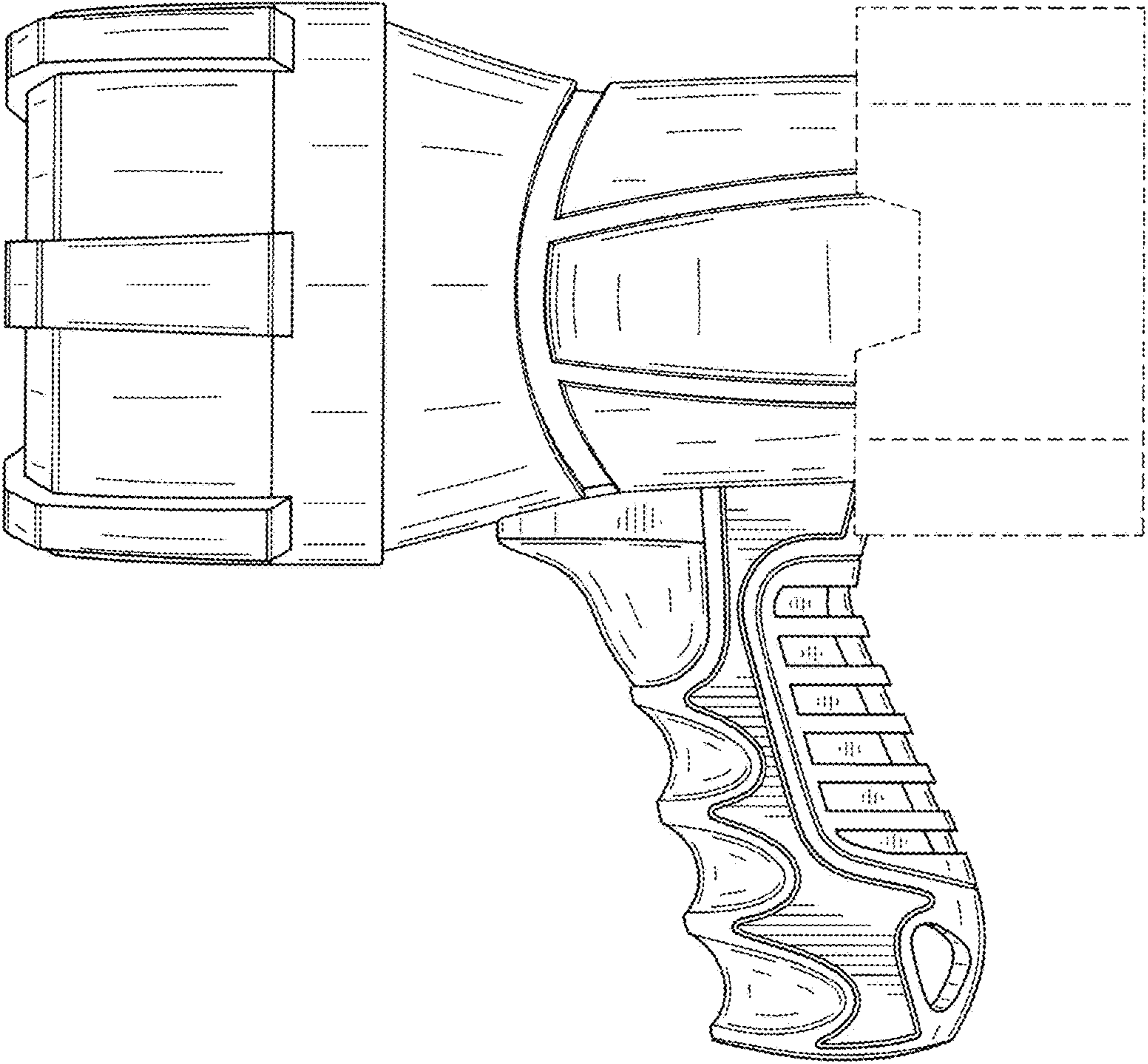


FIG. 8

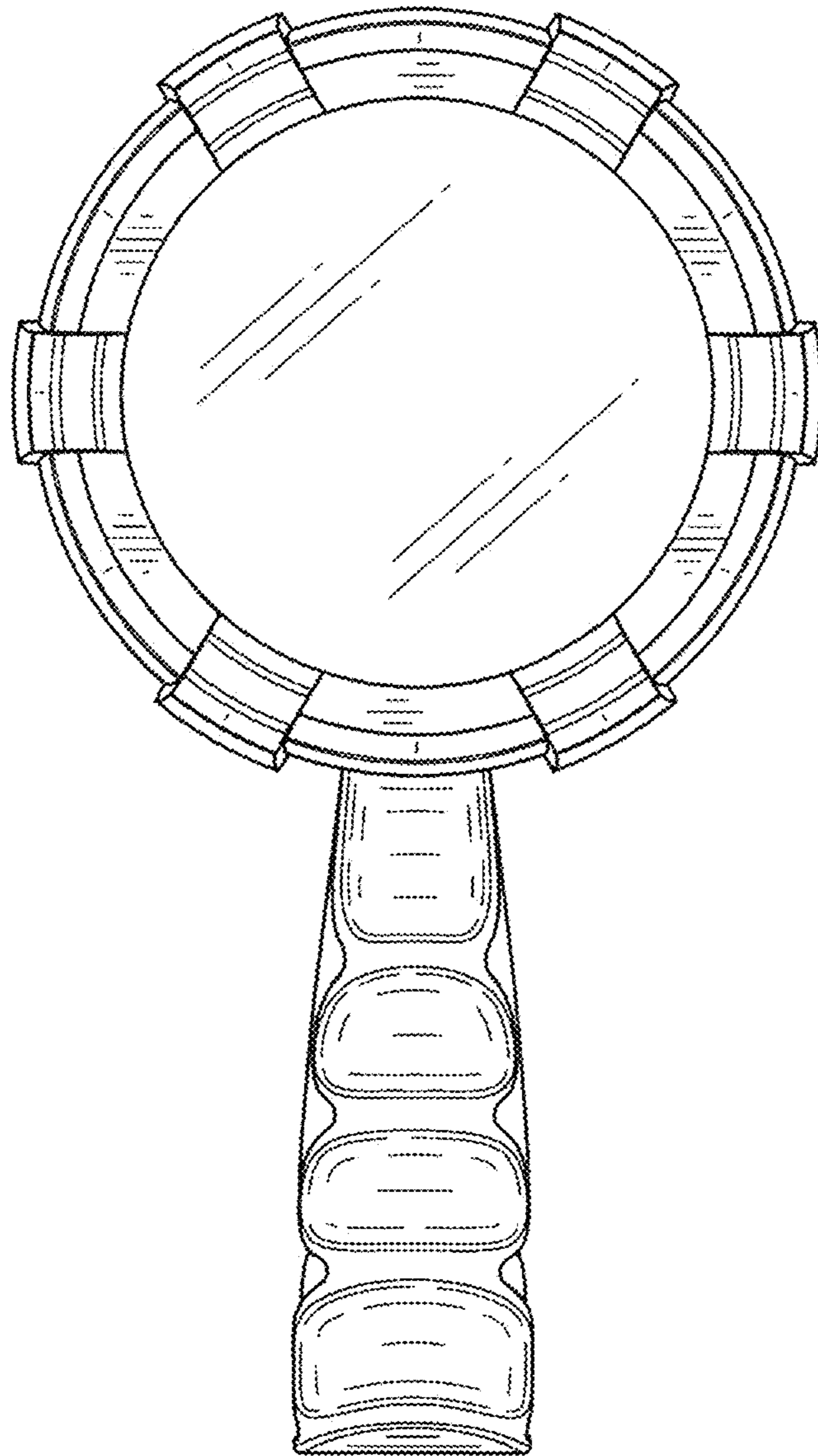


FIG. 9

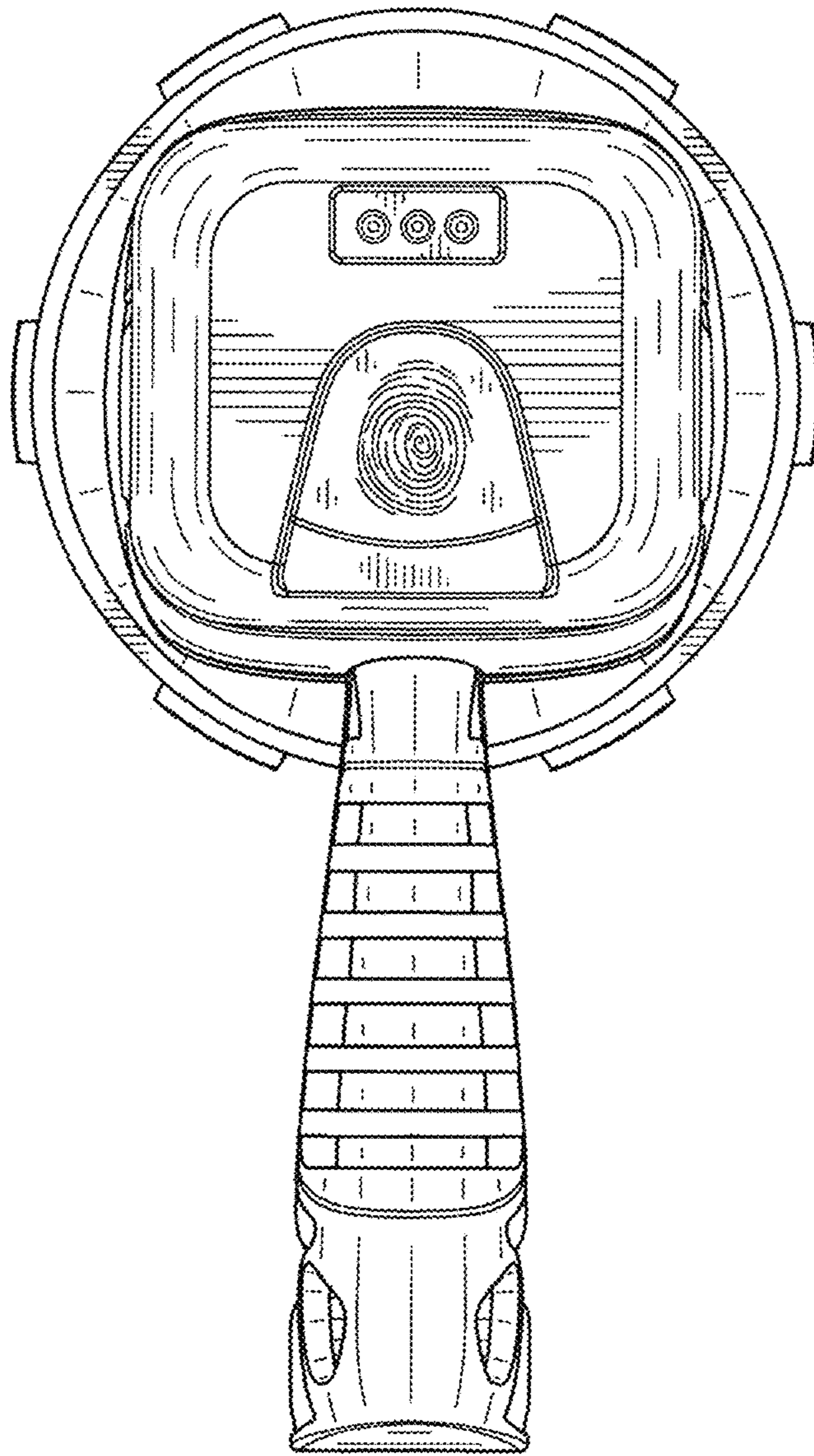


FIG. 10

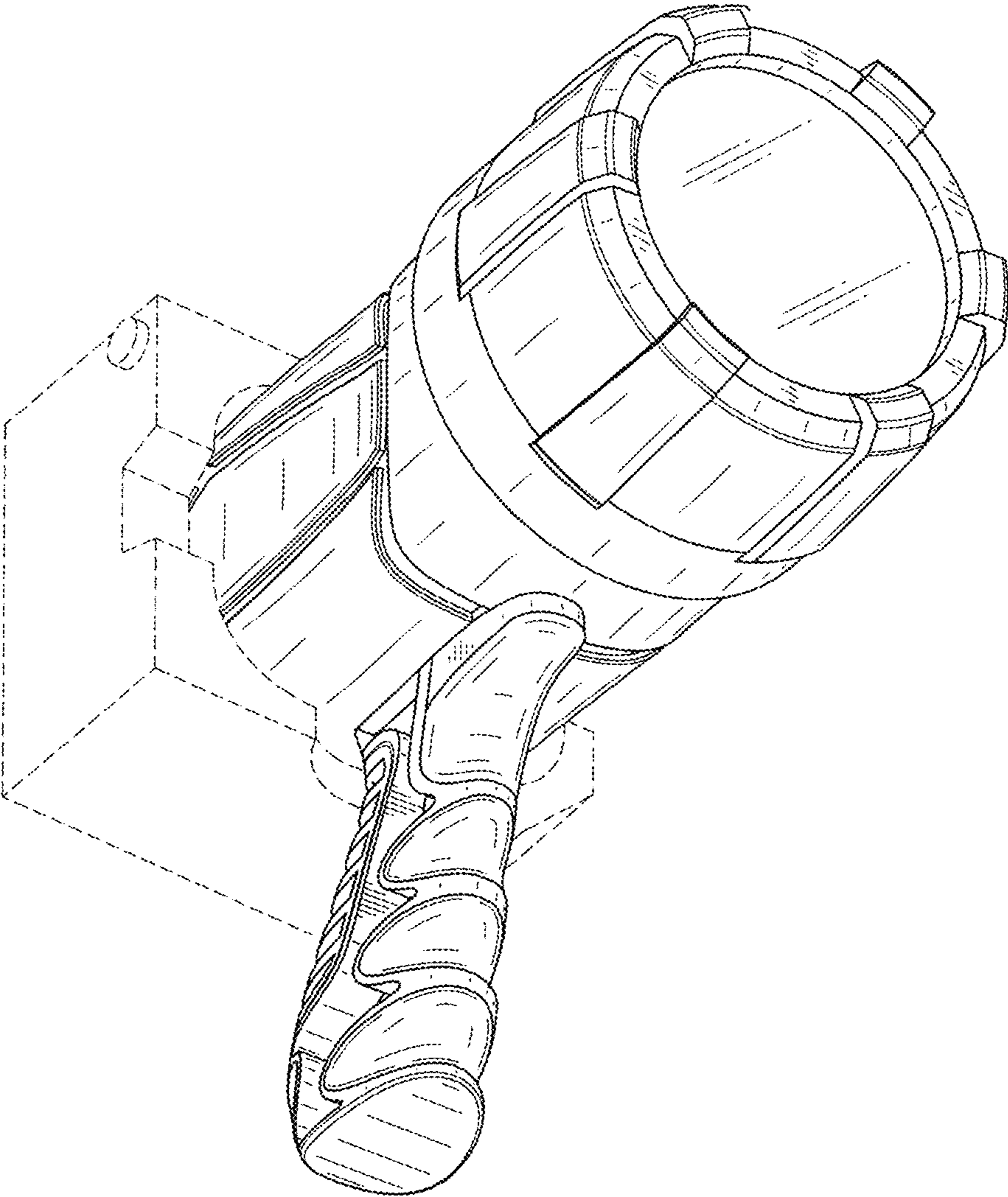


FIG. 11