



US00D788339S

(12) **United States Design Patent**
Koshiba

(10) **Patent No.:** **US D788,339 S**

(45) **Date of Patent:** **** May 30, 2017**

(54) **HEADLAMP**

D477,680 S * 7/2003 Petzl D26/39
D492,052 S * 6/2004 Schnell D26/39
D544,621 S * 6/2007 Kim D26/37

(71) Applicant: **GENTOS CO., LTD.**, Tokyo (JP)

* cited by examiner

(72) Inventor: **Keita Koshiba**, Tokyo (JP)

Primary Examiner — Marcus Jackson

(73) Assignee: **GENTOS CO., LTD.**, Tokyo (JP)

(74) *Attorney, Agent, or Firm* — Im IP Law; C. Andrew Im

(**) Term: **15 Years**

(21) Appl. No.: **29/544,948**

(22) Filed: **Nov. 8, 2015**

(57) **CLAIM**

(30) **Foreign Application Priority Data**

The ornamental design for a headlamp, as shown and described.

Jul. 23, 2015 (JP) 2015-016393

(51) **LOC (10) Cl.** **26-02**

(52) **U.S. Cl.**
USPC **D26/39**

(58) **Field of Classification Search**
USPC D26/37-50; 362/158-174, 183-208
CPC F21V 33/00; F21V 14/025; F21V 21/046;
F21Y 2101/02; F21L 17/00; F21L 13/08
See application file for complete search history.

DESCRIPTION

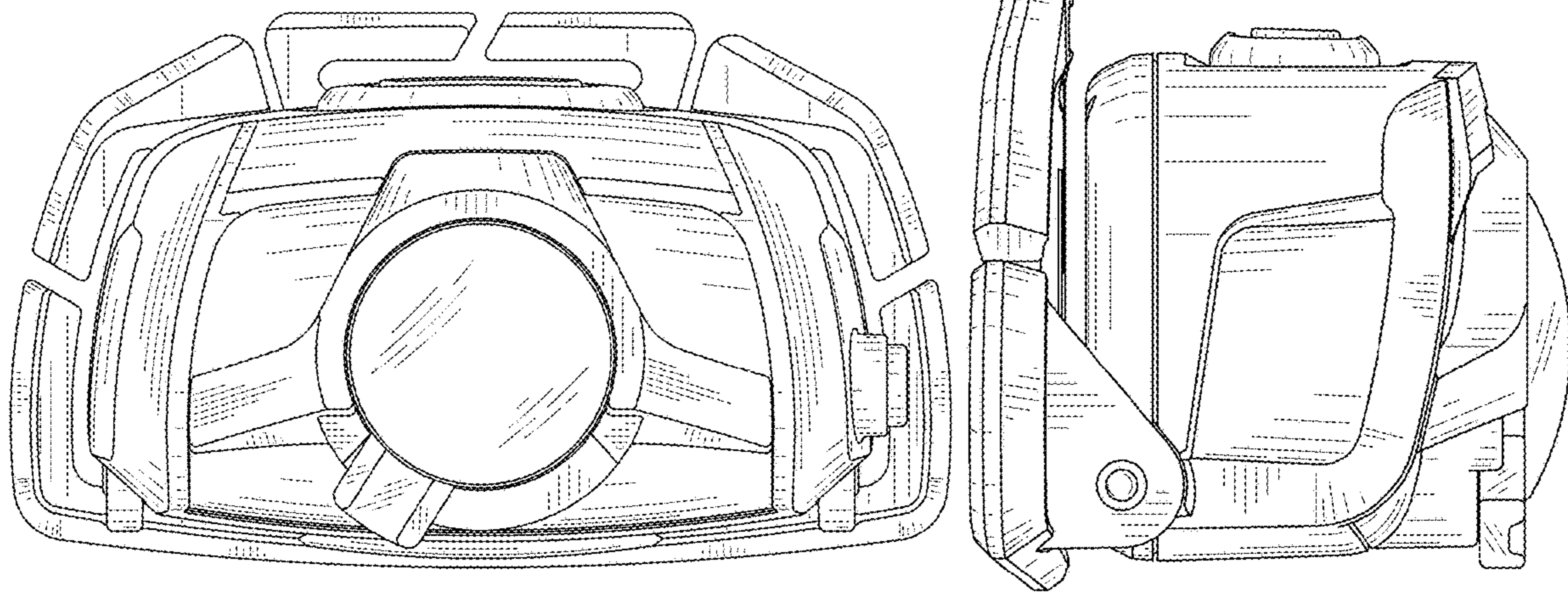
FIG. 1 is a front view of a headlamp showing my new design;
FIG. 2 is a rear view of a headlamp thereof;
FIG. 3 is a left side view of a headlamp thereof;
FIG. 4 is a right side view of a headlamp thereof;
FIG. 5 is a top view of a headlamp thereof; and,
FIG. 6 is a bottom view of a headlamp thereof.

(56) **References Cited**

U.S. PATENT DOCUMENTS

D405,202 S * 2/1999 Fattori D26/39
D470,615 S * 2/2003 Janice D26/39

1 Claim, 6 Drawing Sheets



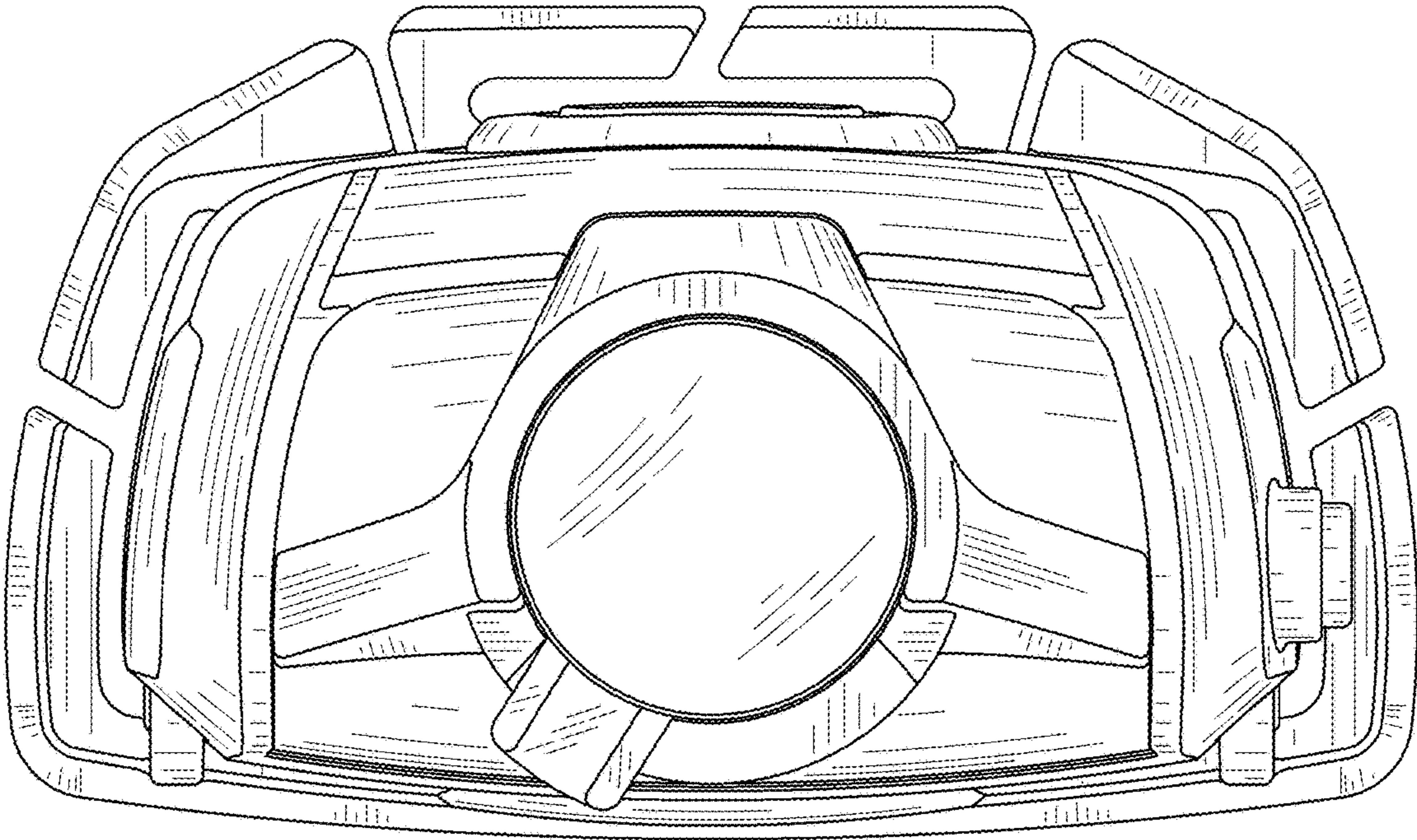


FIG. 1

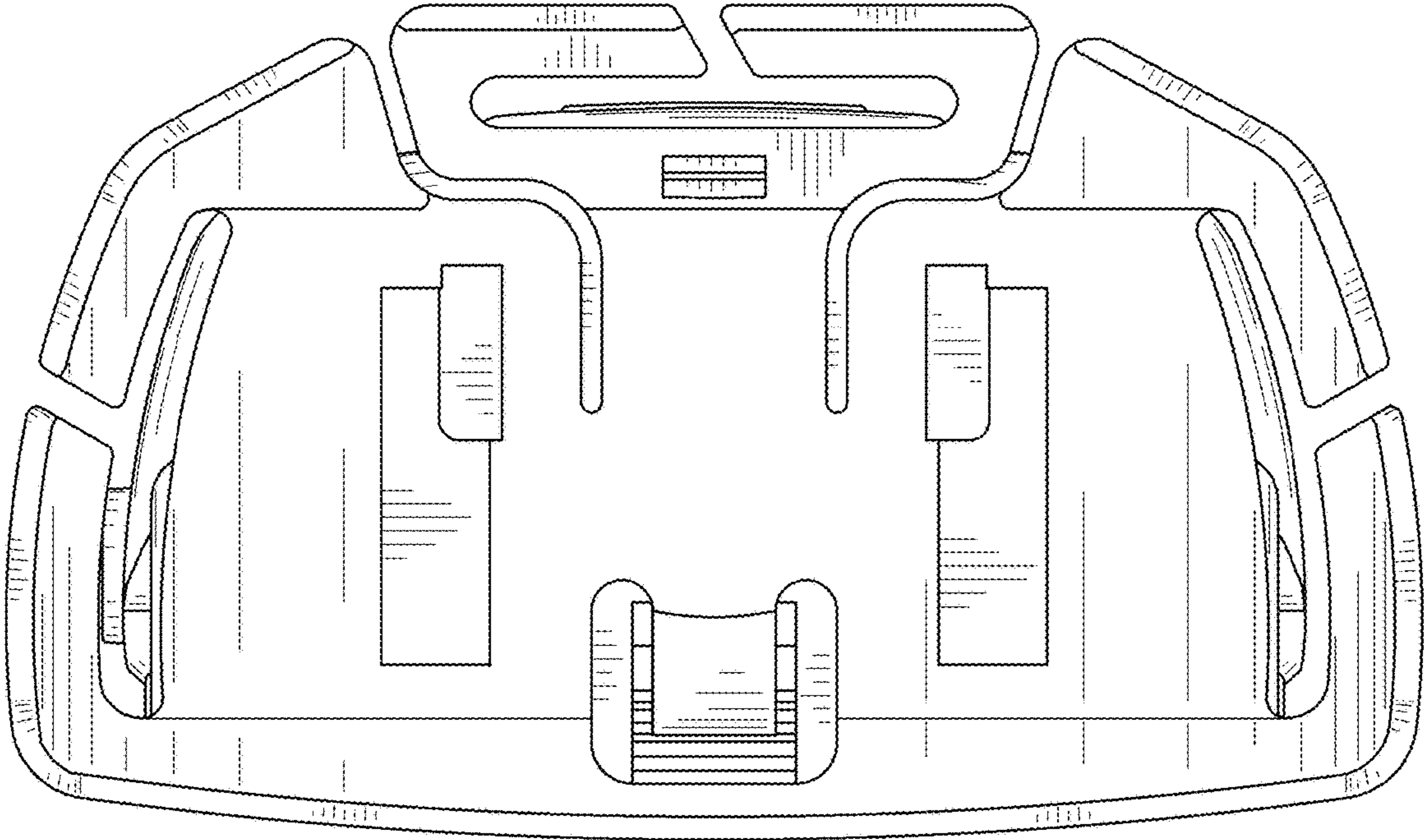


FIG. 2

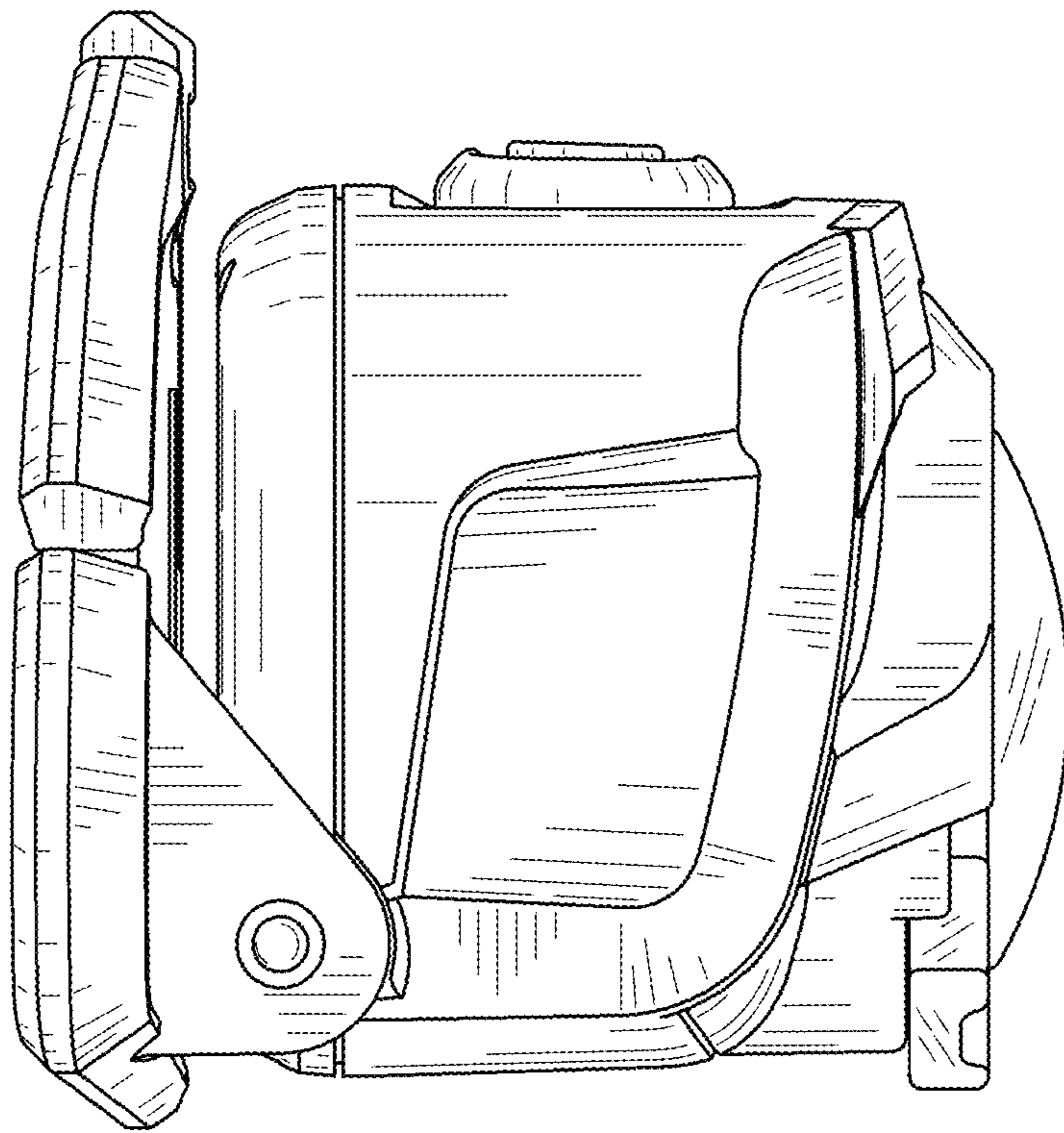


FIG. 3

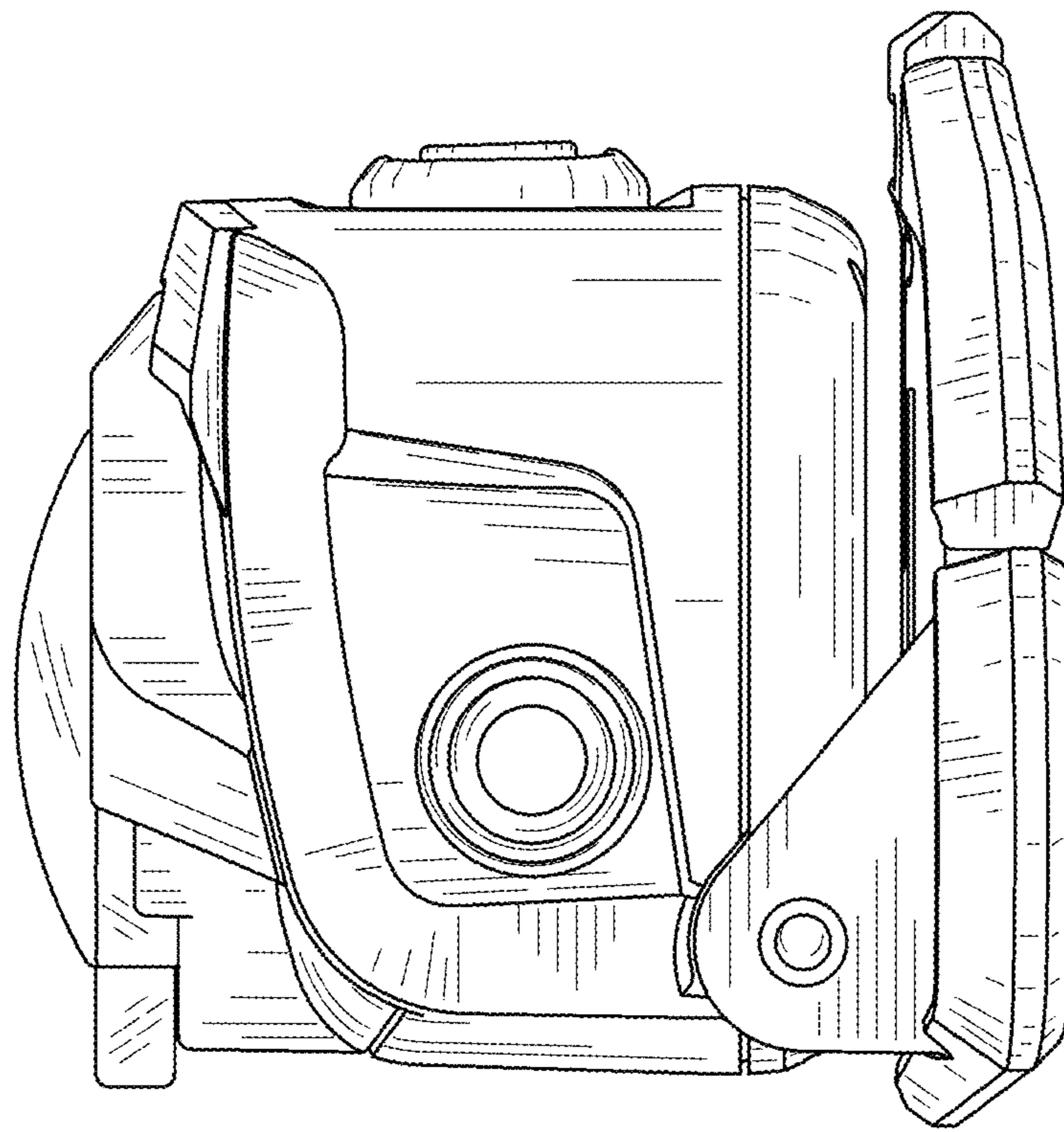


FIG. 4

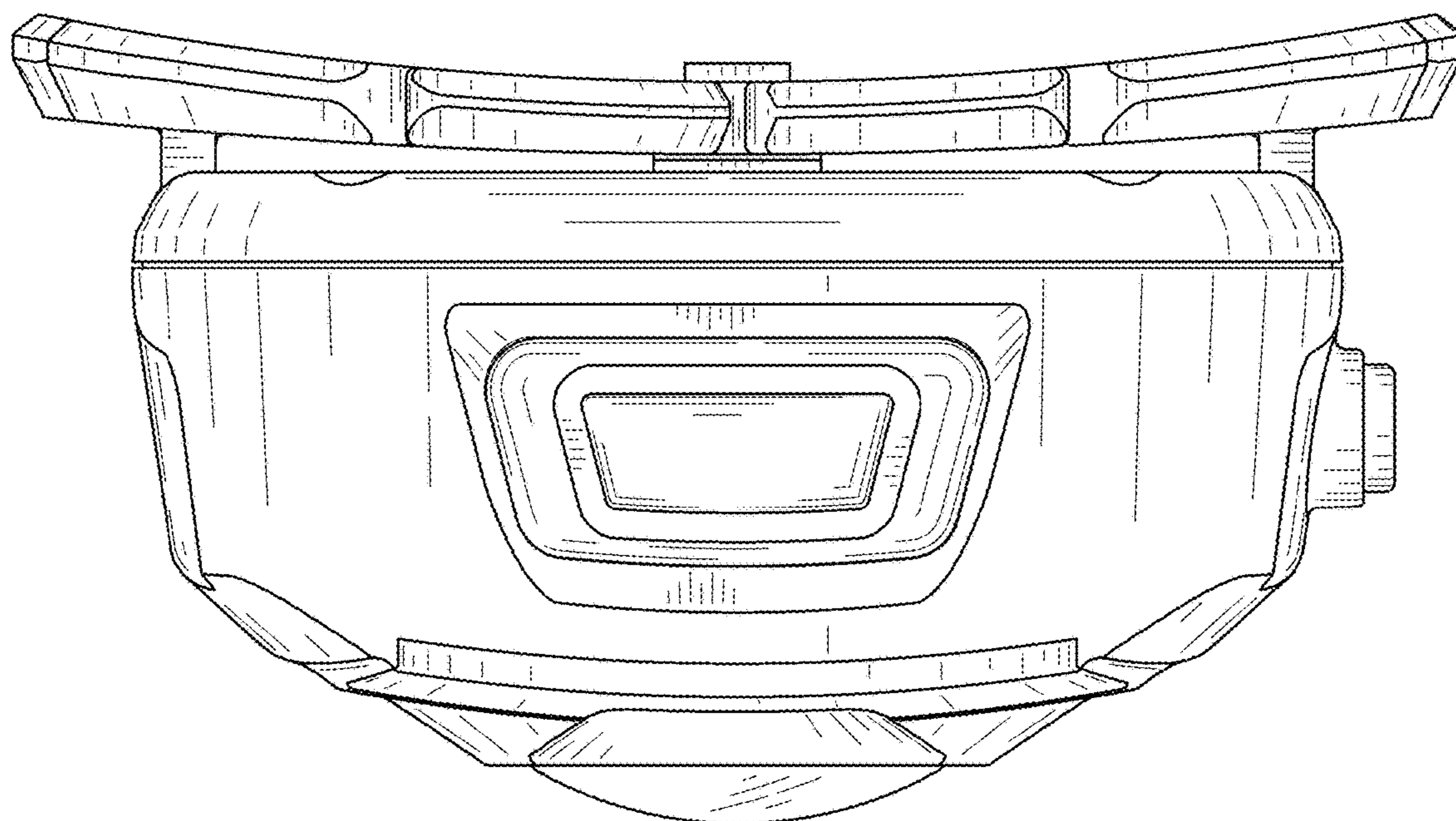


FIG. 5

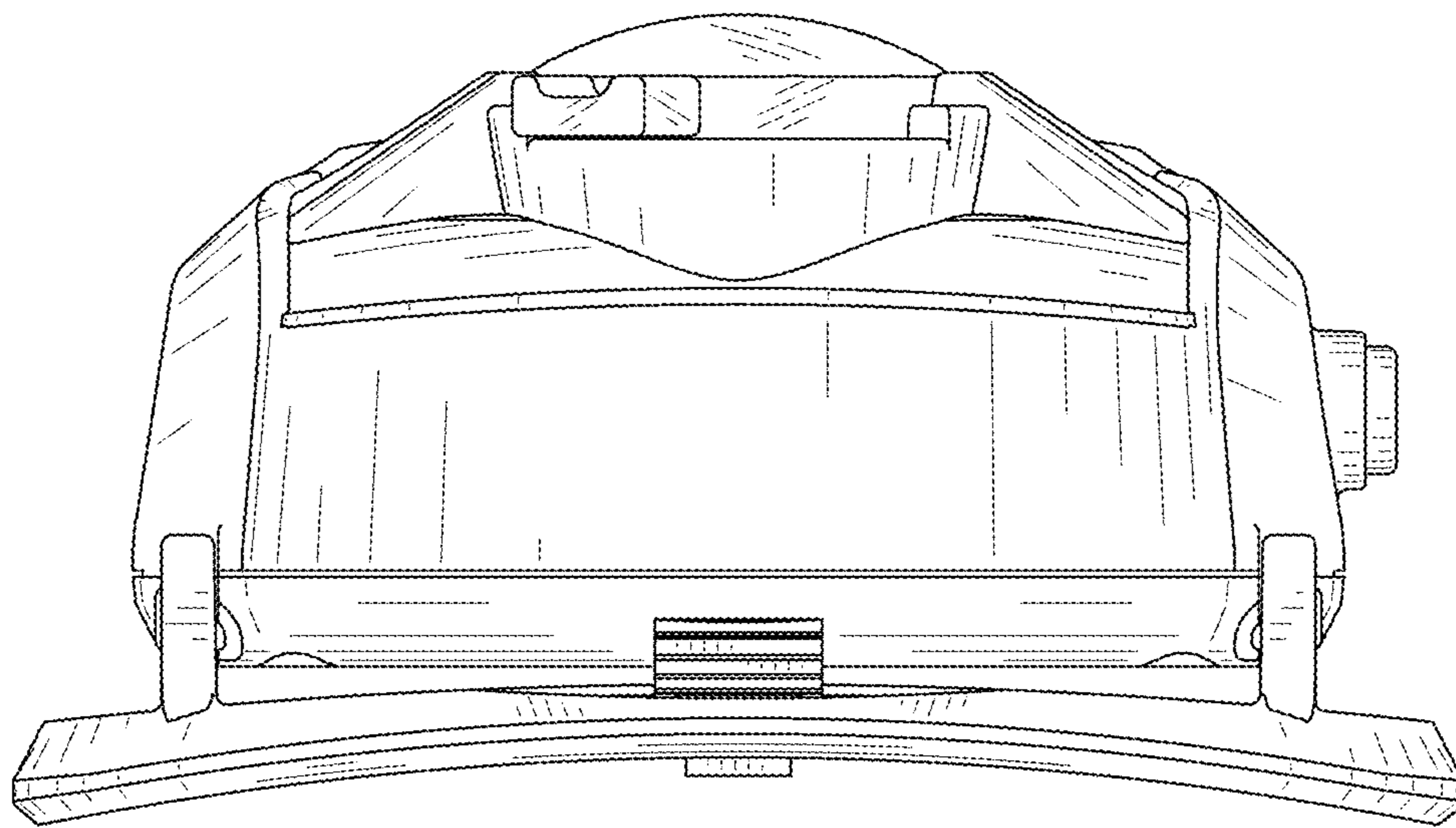


FIG. 6