



US00D788337S

(12) **United States Design Patent**
Koshiba

(10) **Patent No.:** **US D788,337 S**

(45) **Date of Patent:** **** May 30, 2017**

(54) **HEADLAMP**

(71) Applicant: **GENTOS CO., LTD.**, Tokyo (JP)

(72) Inventor: **Keita Koshiba**, Tokyo (JP)

(73) Assignee: **GENTOS CO., LTD.**, Tokyo (JP)

(**) Term: **15 Years**

(21) Appl. No.: **29/542,411**

(22) Filed: **Oct. 14, 2015**

(30) **Foreign Application Priority Data**

Apr. 15, 2015 (JP) 2015-008541

(51) **LOC (10) Cl.** **26-02**

(52) **U.S. Cl.**
USPC **D26/39**

(58) **Field of Classification Search**
USPC D26/37-50; 362/157-158, 183-208
CPC F21V 33/00; F21V 14/025; F21V 21/406;
F21Y 2101/02; F21L 17/00; F21L 13/08
See application file for complete search history.

(56) **References Cited**

U.S. PATENT DOCUMENTS

D470,615 S * 2/2003 Janice D26/39
D549,372 S * 8/2007 Lee D26/39

D557,842 S * 12/2007 Lee D26/39
D568,510 S * 5/2008 Shiu D26/39
D575,888 S * 8/2008 Shiu D26/39
D594,582 S * 6/2009 Petzl D26/39
D600,379 S * 9/2009 Petzl D26/39
D615,678 S * 5/2010 DeBrunner D26/39
D679,041 S * 3/2013 Petzl D26/39
D683,489 S * 5/2013 Lee D26/39

* cited by examiner

Primary Examiner — Marcus Jackson

(74) *Attorney, Agent, or Firm* — Im IP Law; C. Andrew Im

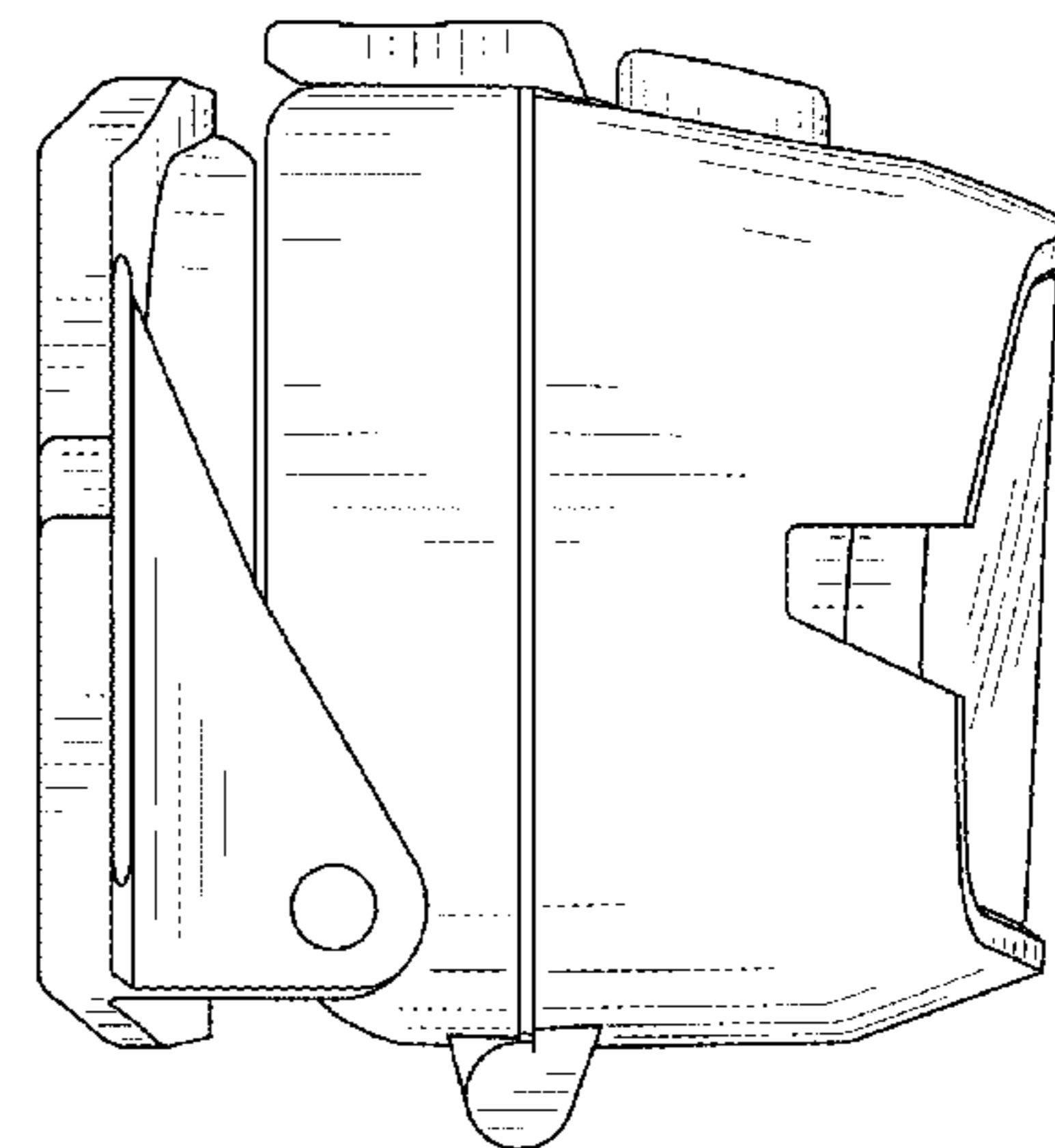
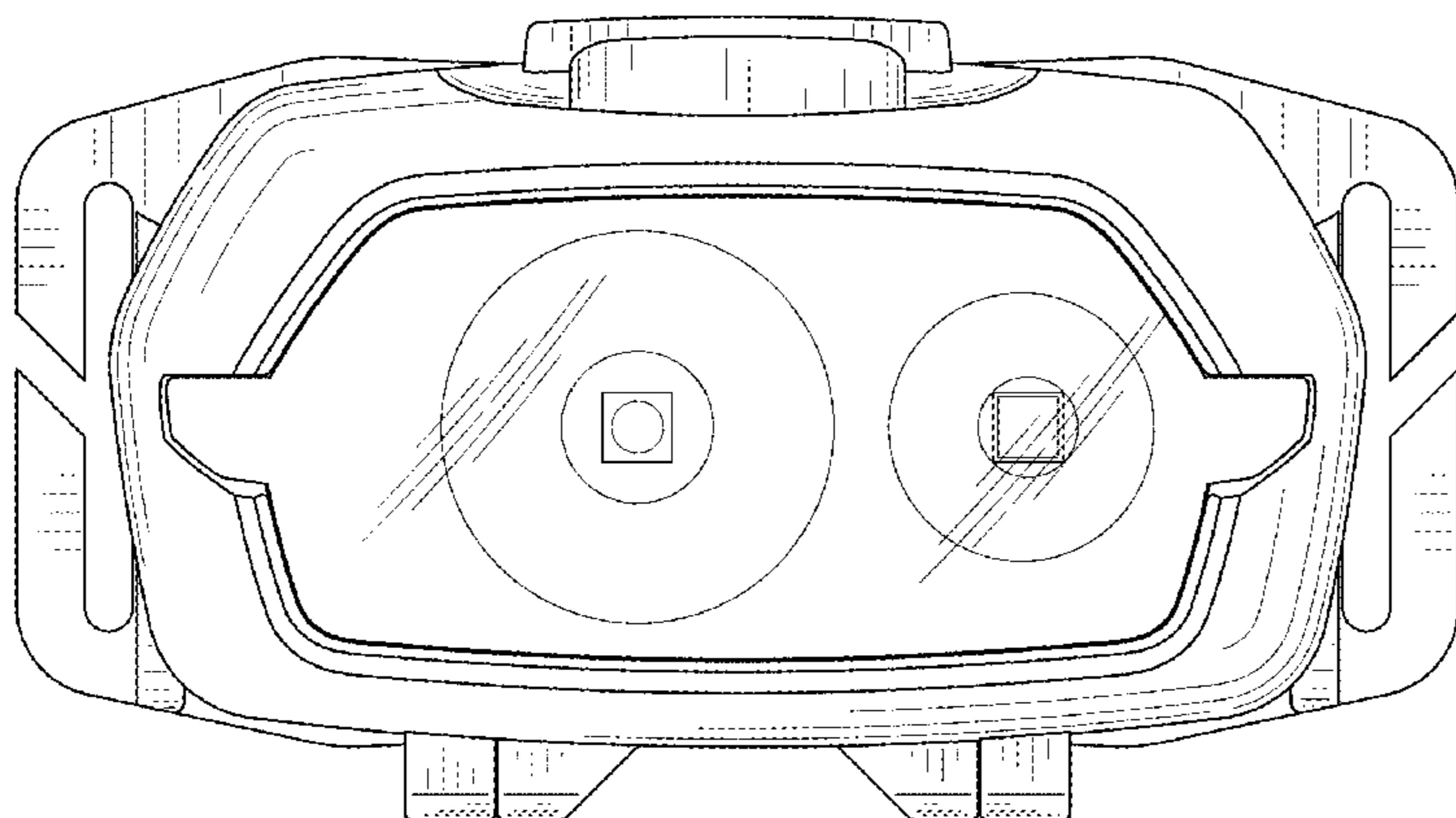
(57) **CLAIM**

The ornamental design for a headlamp, as shown and described.

DESCRIPTION

FIG. 1 is a front view of a headlamp showing my new design;
FIG. 2 is a rear view of a headlamp thereof;
FIG. 3 is a left side view of a headlamp thereof;
FIG. 4 is a right side view of a headlamp thereof;
FIG. 5 is a top view of a headlamp thereof; and,
FIG. 6 is a bottom view of a headlamp thereof.

1 Claim, 5 Drawing Sheets



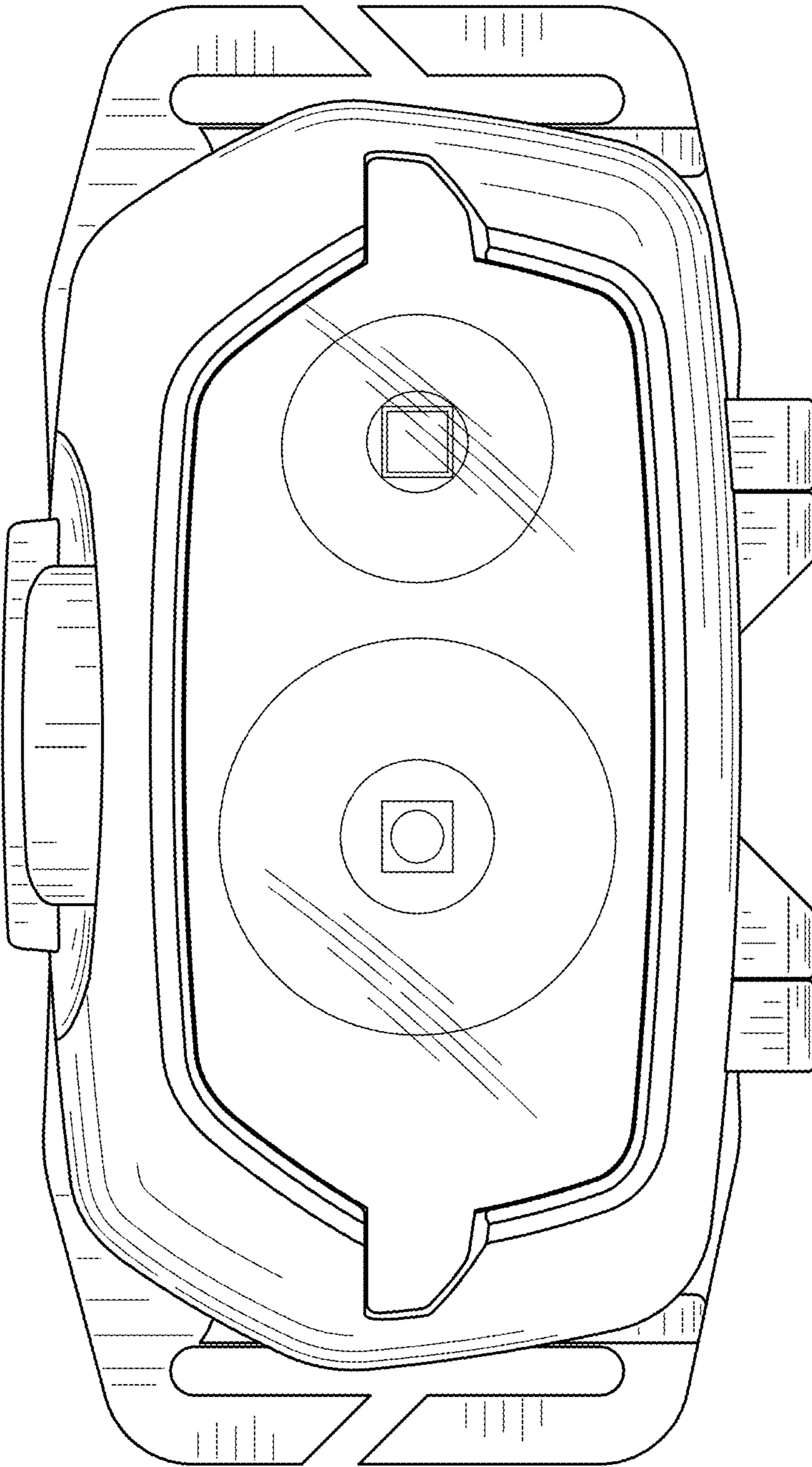


FIG. 1

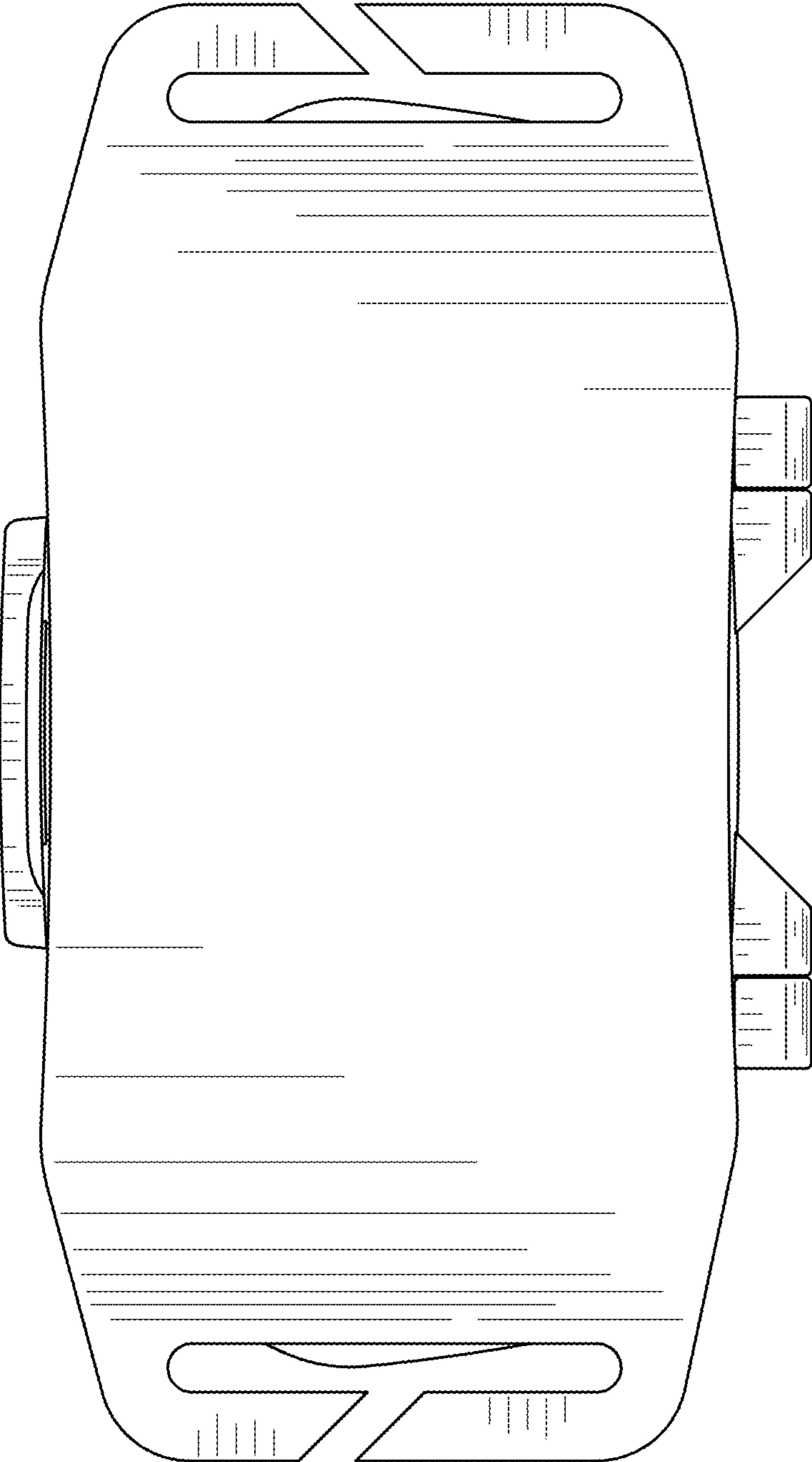


FIG. 2

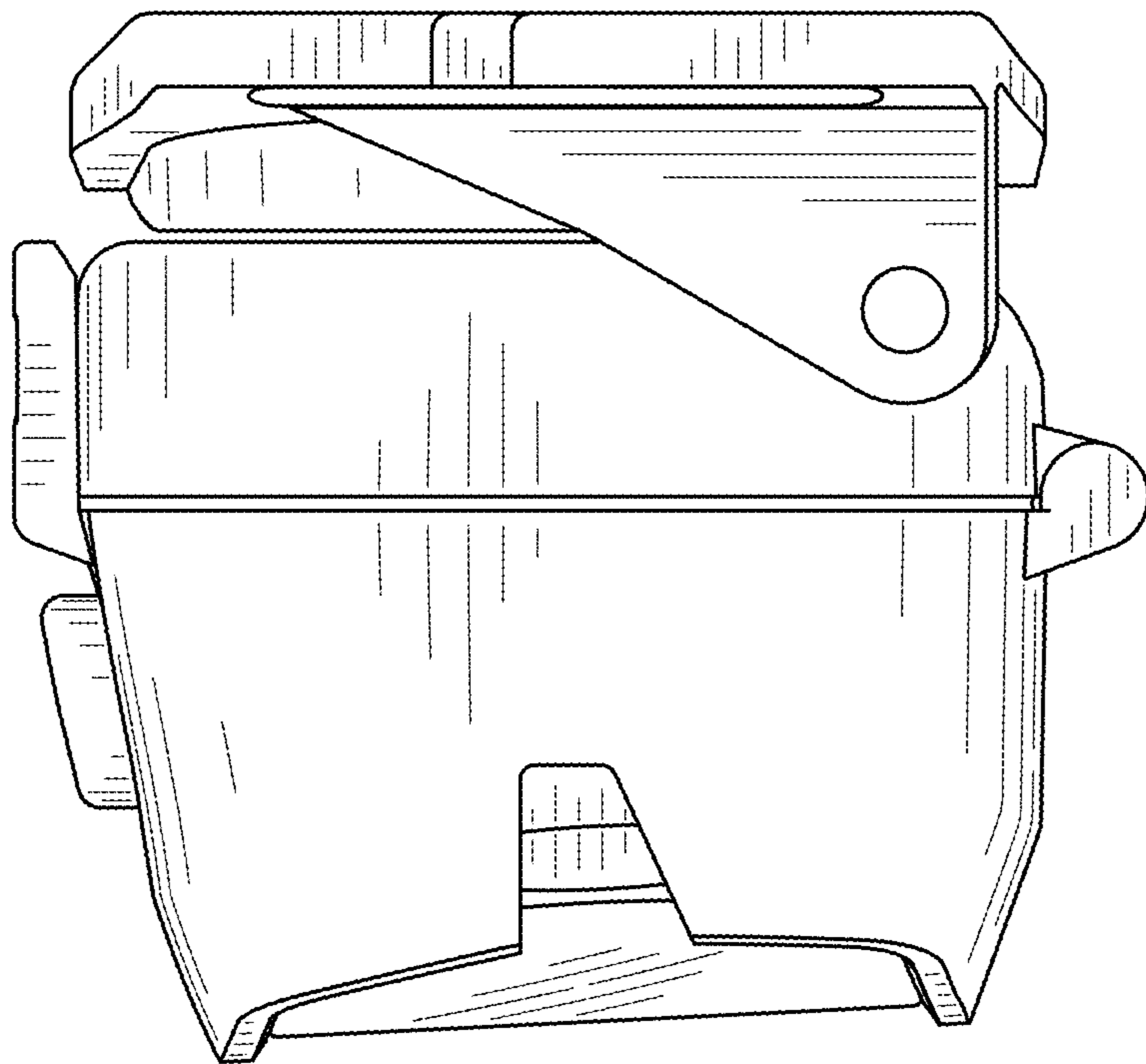


FIG. 4

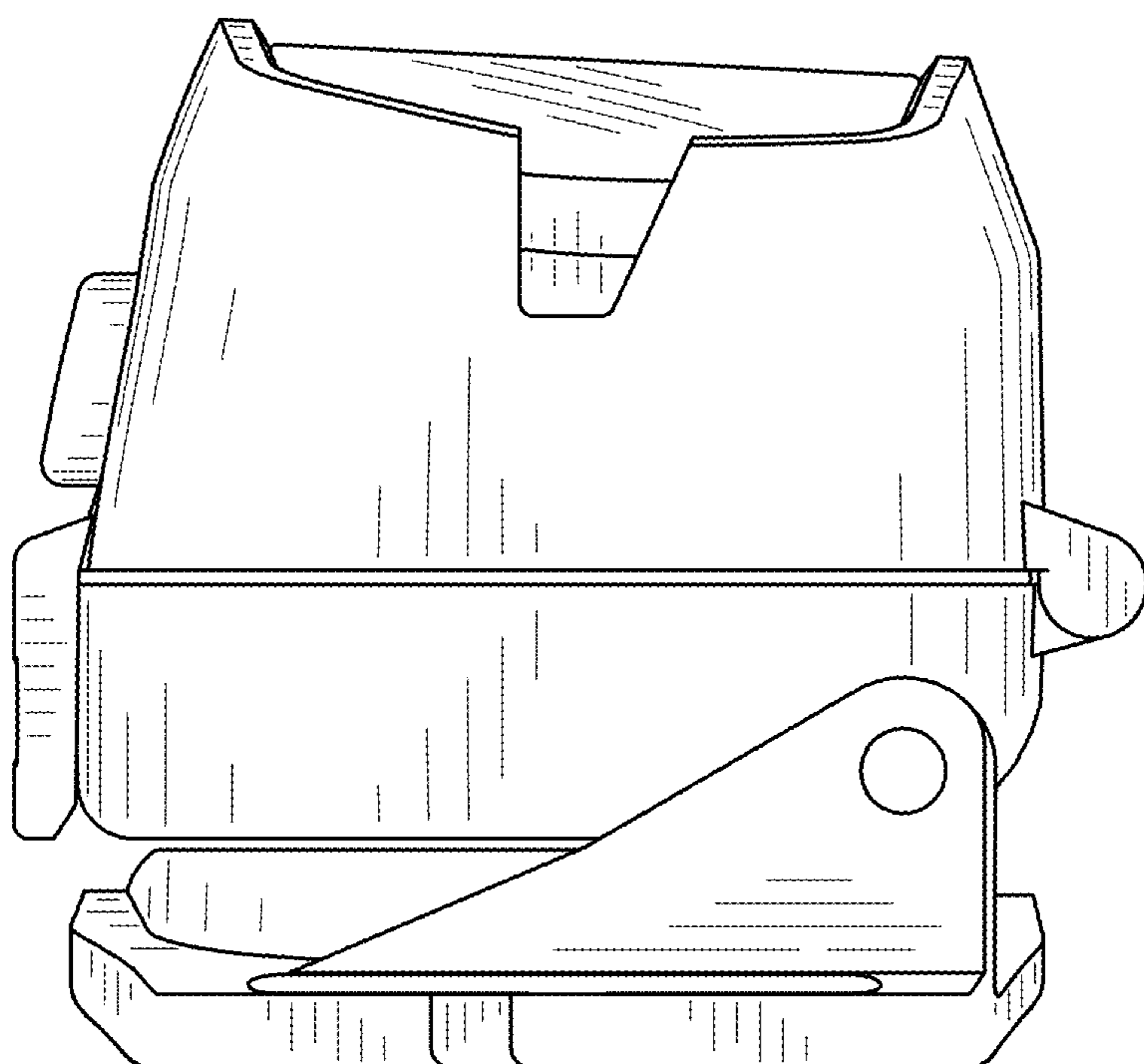


FIG. 3

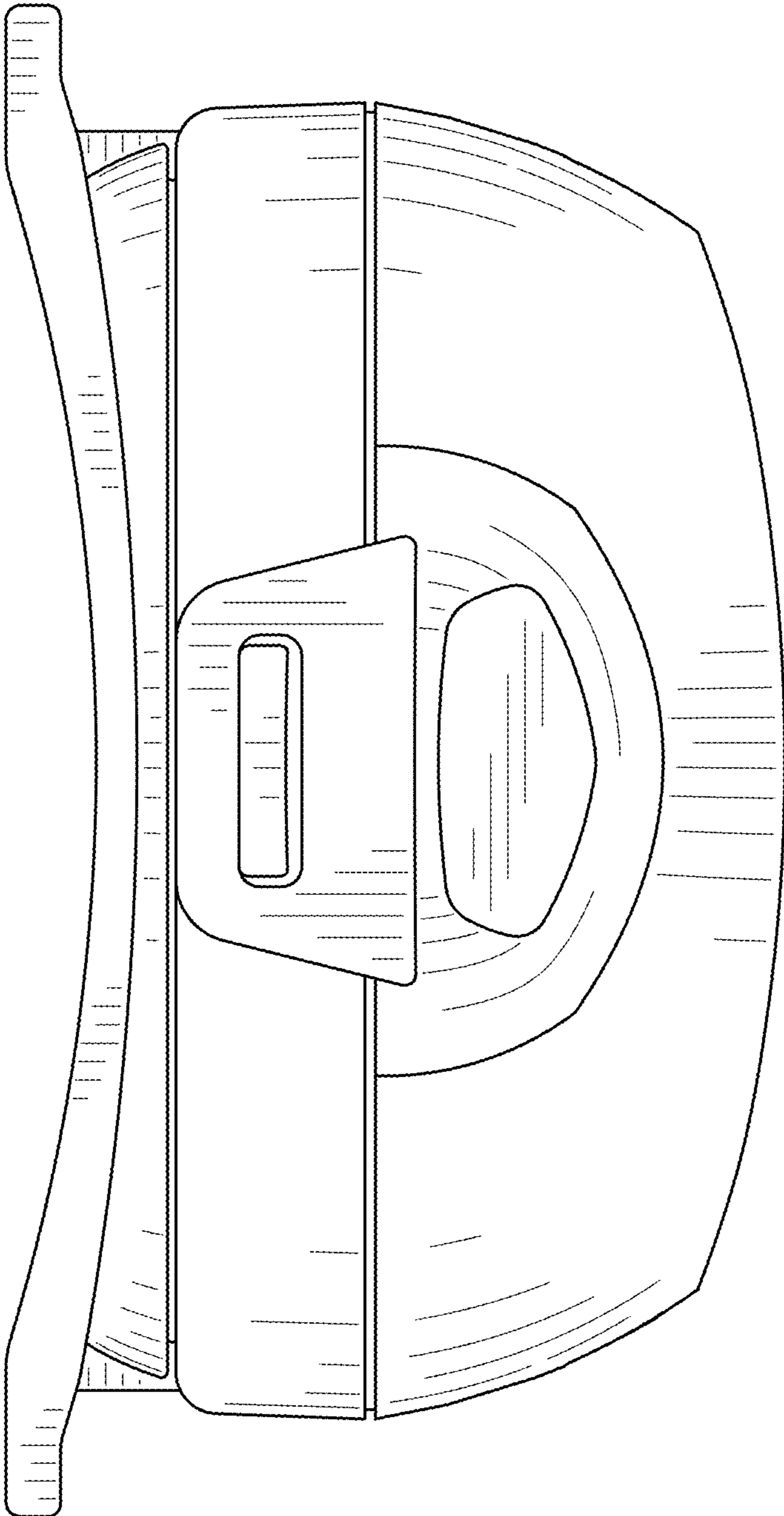


FIG. 5

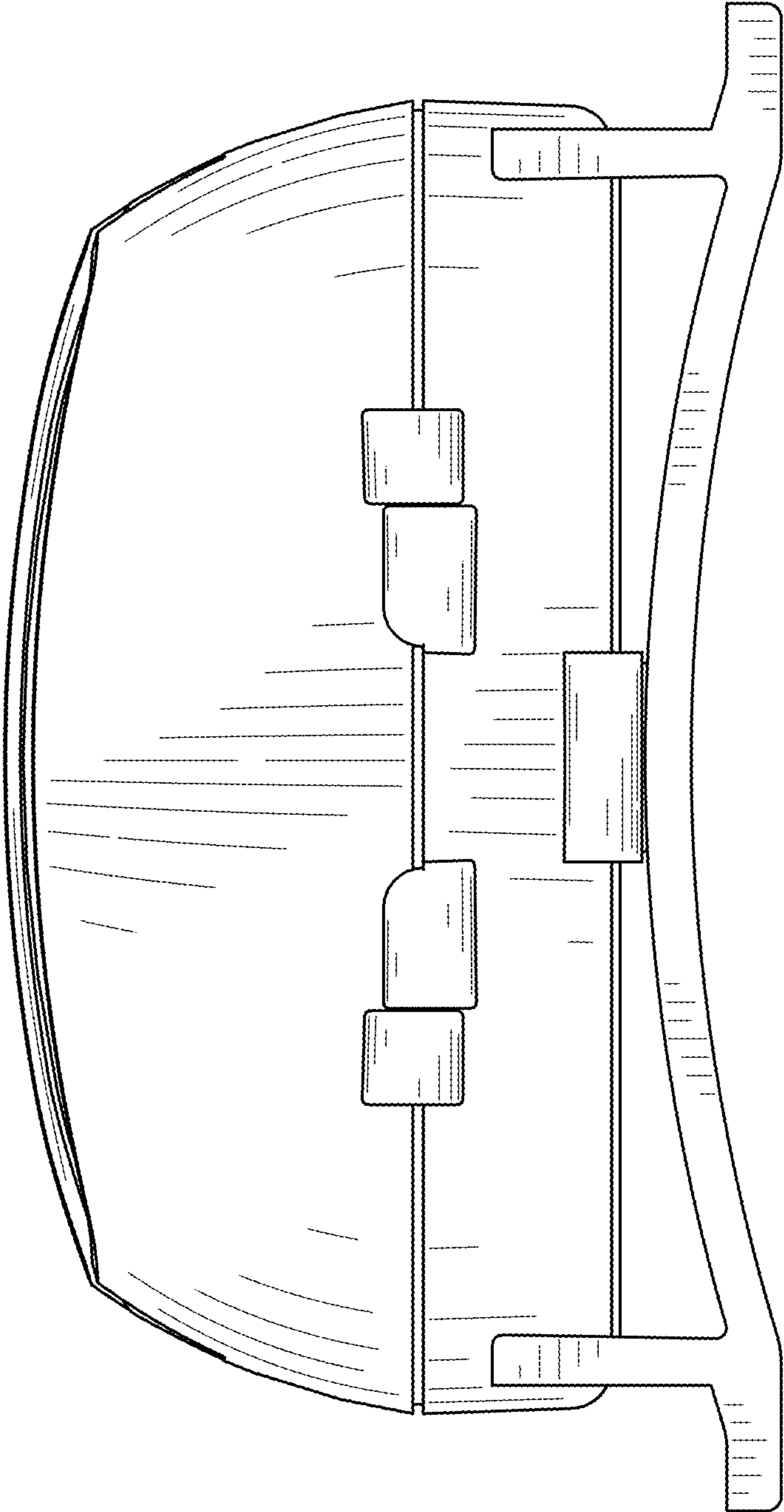


FIG. 6