



US00D788335S

(12) **United States Design Patent**
Tsai

(10) **Patent No.:** **US D788,335 S**

(45) **Date of Patent:** **** May 30, 2017**

(54) **MULTI-FUNCTION VEHICLE OVAL LIGHT ASSEMBLY**

(71) Applicant: **Optronics International, LLC**, Tulsa, OK (US)

(72) Inventor: **Kevin Tsai**, Tainan (TW)

(73) Assignee: **Optronics International, LLC**, Tulsa, OK (US)

(**) Term: **15 Years**

(21) Appl. No.: **29/558,845**

(22) Filed: **Mar. 22, 2016**

(51) **LOC (10) Cl.** **26-06**

(52) **U.S. Cl.**
USPC **D26/28**

(58) **Field of Classification Search**
USPC D26/28-36; 362/80-83, 267-269, 362/459-468, 475-478, 485-487
CPC F21S 48/00; F21S 48/10; F21S 48/115; F21S 48/1233; F21S 48/1266; F21S 48/1388; F21S 48/2268; F21V 21/04; F21V 15/01; F21V 15/013; F21V 7/0008
See application file for complete search history.

(56) **References Cited**

U.S. PATENT DOCUMENTS

D358,674 S	5/1995	Ramsey
D382,659 S	8/1997	Kaloustian
D393,729 S	4/1998	Tuttle
D412,370 S	7/1999	Cece
D417,027 S	11/1999	Cece
D420,302 S	2/2000	Barnhart
D424,732 S	5/2000	Cece

D461,265 S *	8/2002	Hill	D26/36
6,502,975 B1	1/2003	Branstetter		
D492,804 S *	7/2004	Horowitz	D26/28
D498,549 S *	11/2004	Campagna	D26/28
D551,786 S	9/2007	Smith		
D646,826 S	10/2011	Smith		
D699,873 S	2/2014	Tsai et al.		
D709,221 S	7/2014	Tsai et al.		
D711,564 S	8/2014	Chou et al.		
D711,565 S	8/2014	Tsai et al.		
D715,469 S	10/2014	Chou et al.		
D715,976 S	10/2014	Chou et al.		
9,062,845 B1	6/2015	Tsai et al.		
D736,437 S	8/2015	Yeh		
D745,720 S	12/2015	Chang		
D745,721 S	12/2015	Smith		
D745,722 S	12/2015	Smith		

* cited by examiner

Primary Examiner — Marcus Jackson

(74) *Attorney, Agent, or Firm* — Head, Johnson, Kachigian & Wilkinson, PC

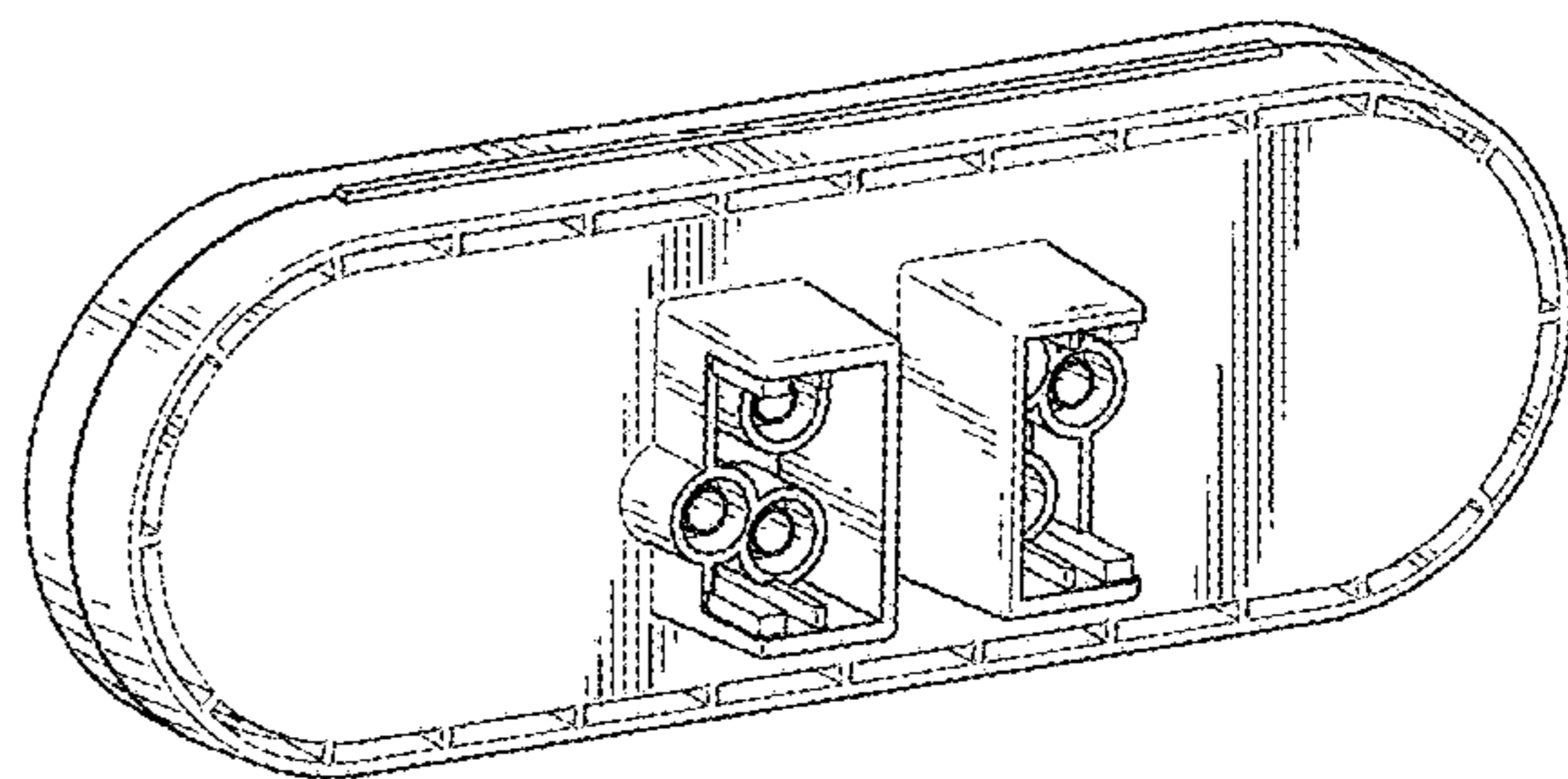
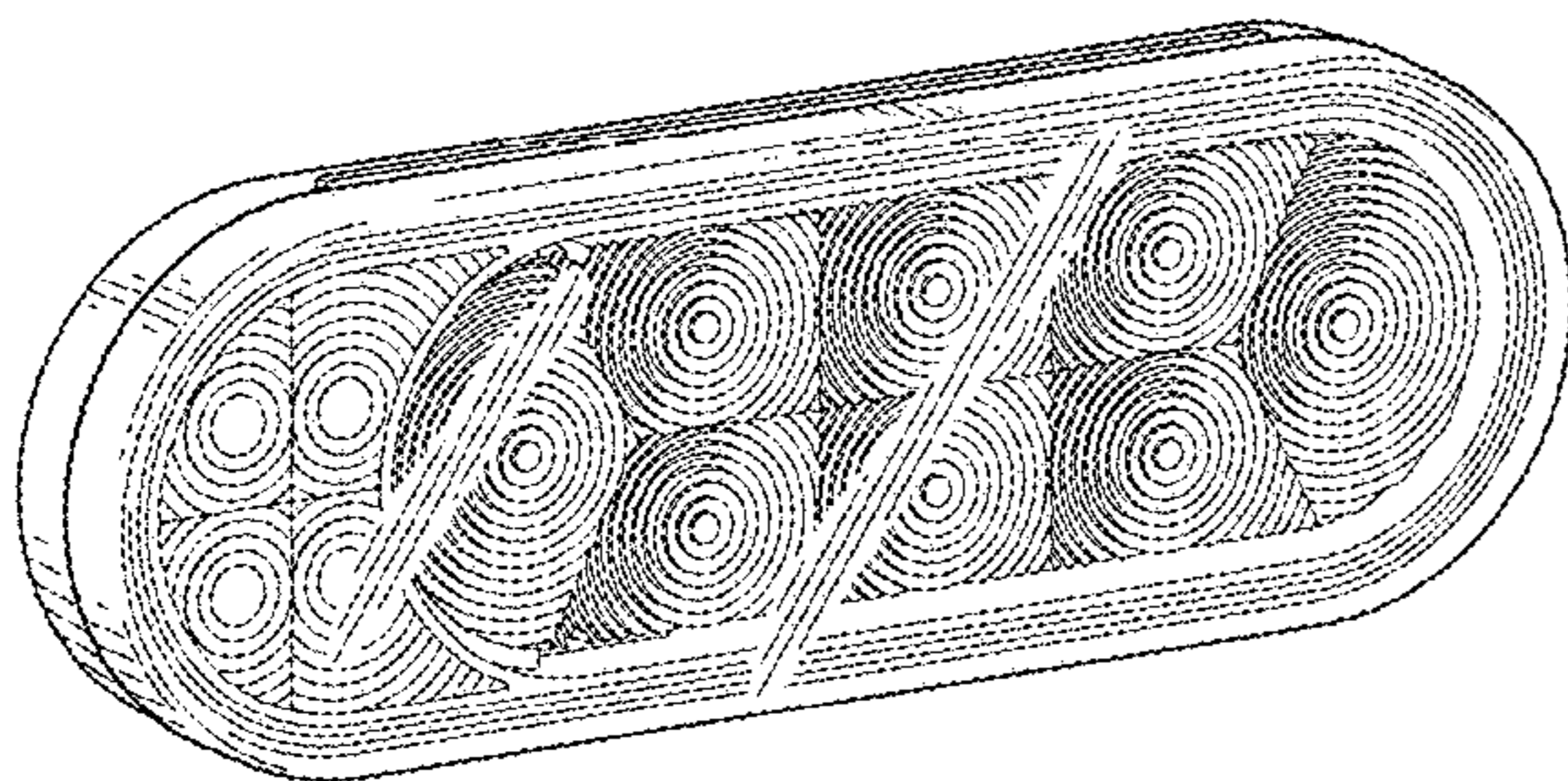
(57) **CLAIM**

The ornamental design for a multi-function vehicle oval light assembly, as shown and described.

DESCRIPTION

FIG. 1 is a front perspective view of a multi-function vehicle oval light assembly of the present invention; FIG. 2 is a rear perspective view thereof; FIG. 3 is a front view thereof; FIG. 4 is a rear view thereof; FIG. 5 is a right side view thereof; FIG. 6 is a left side view thereof; and, FIG. 7 is a top view thereof, the bottom view being a mirror image thereof.

1 Claim, 3 Drawing Sheets



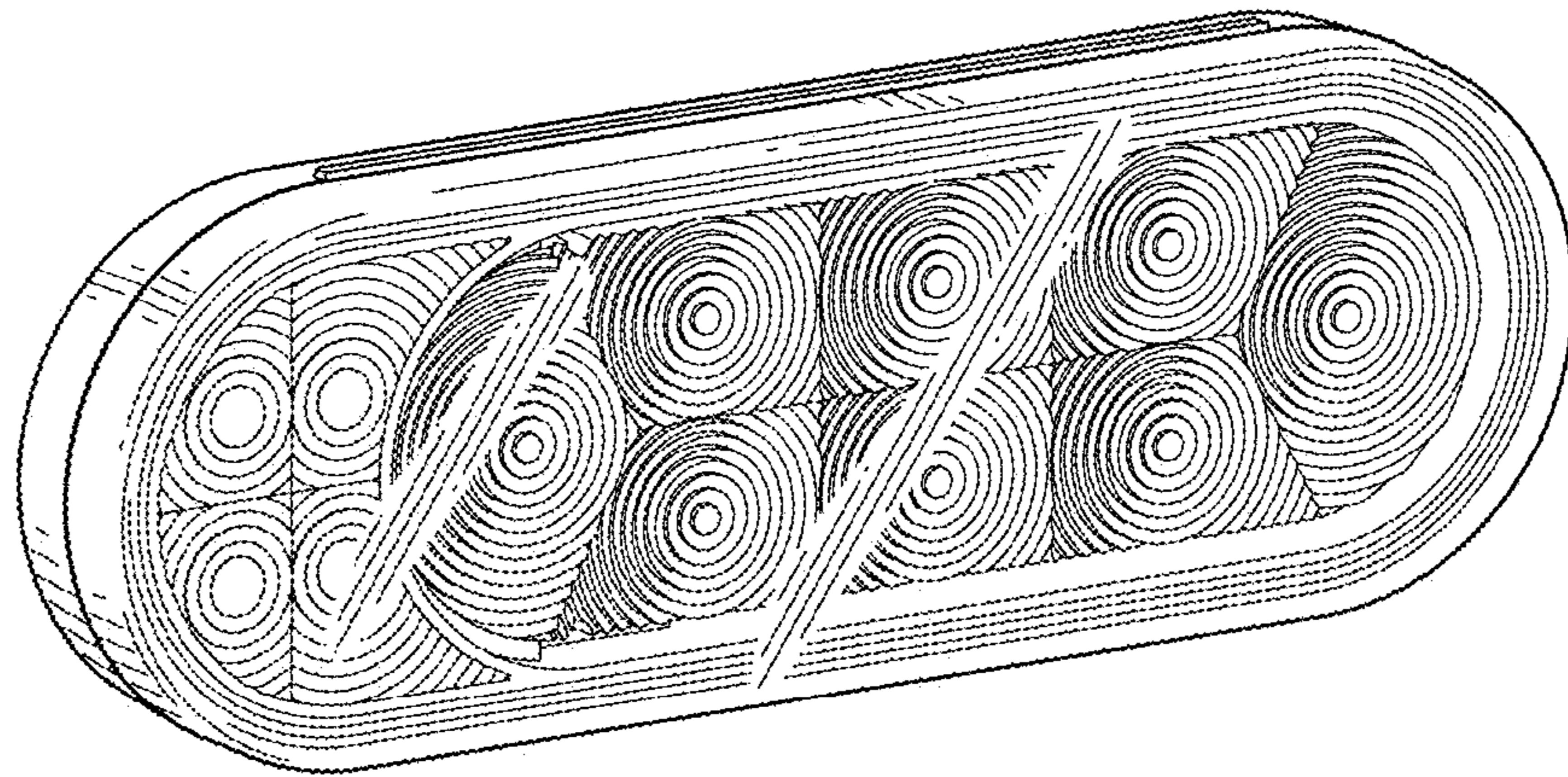


FIG. 1

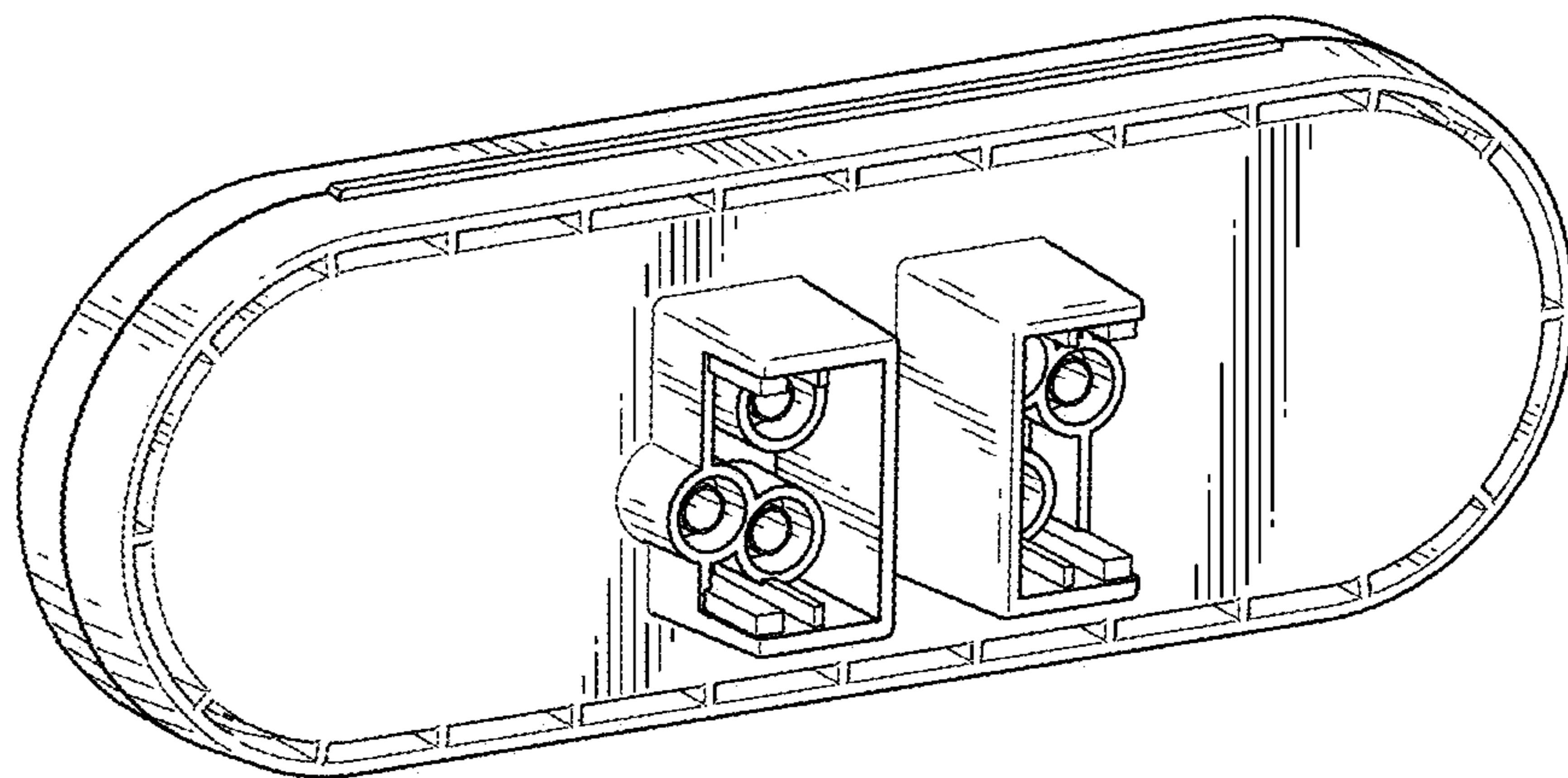


FIG. 2

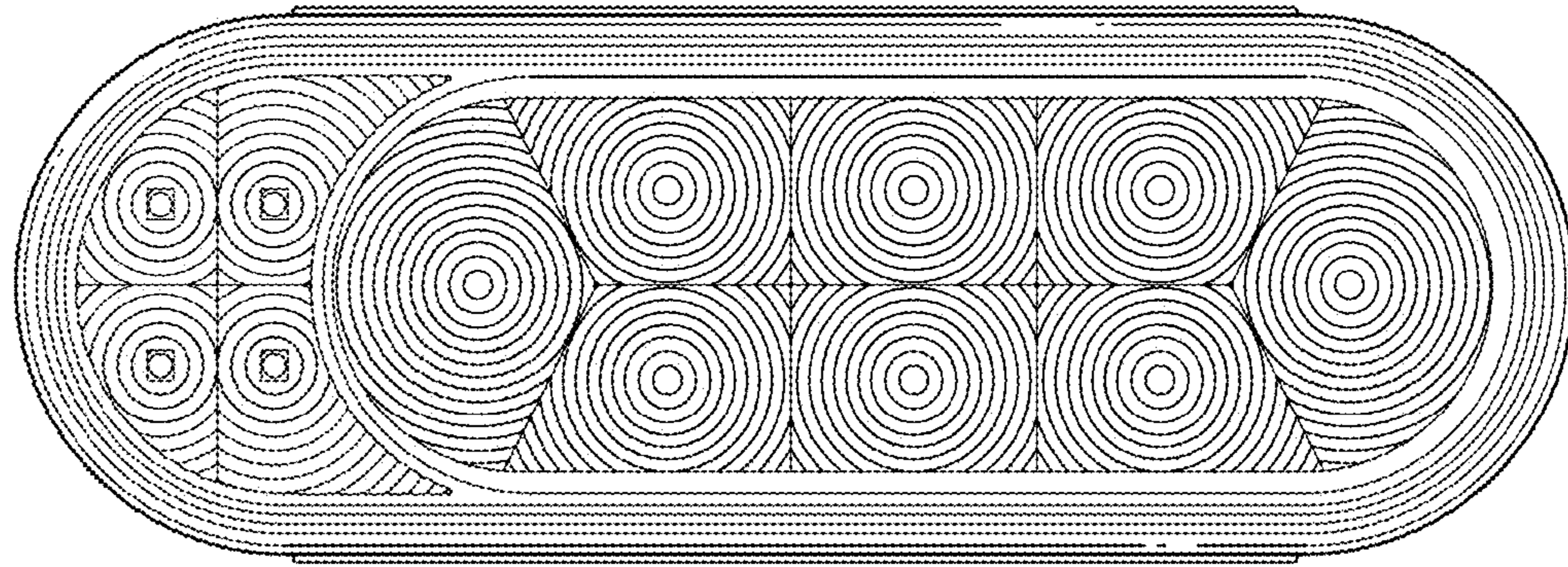


FIG. 3

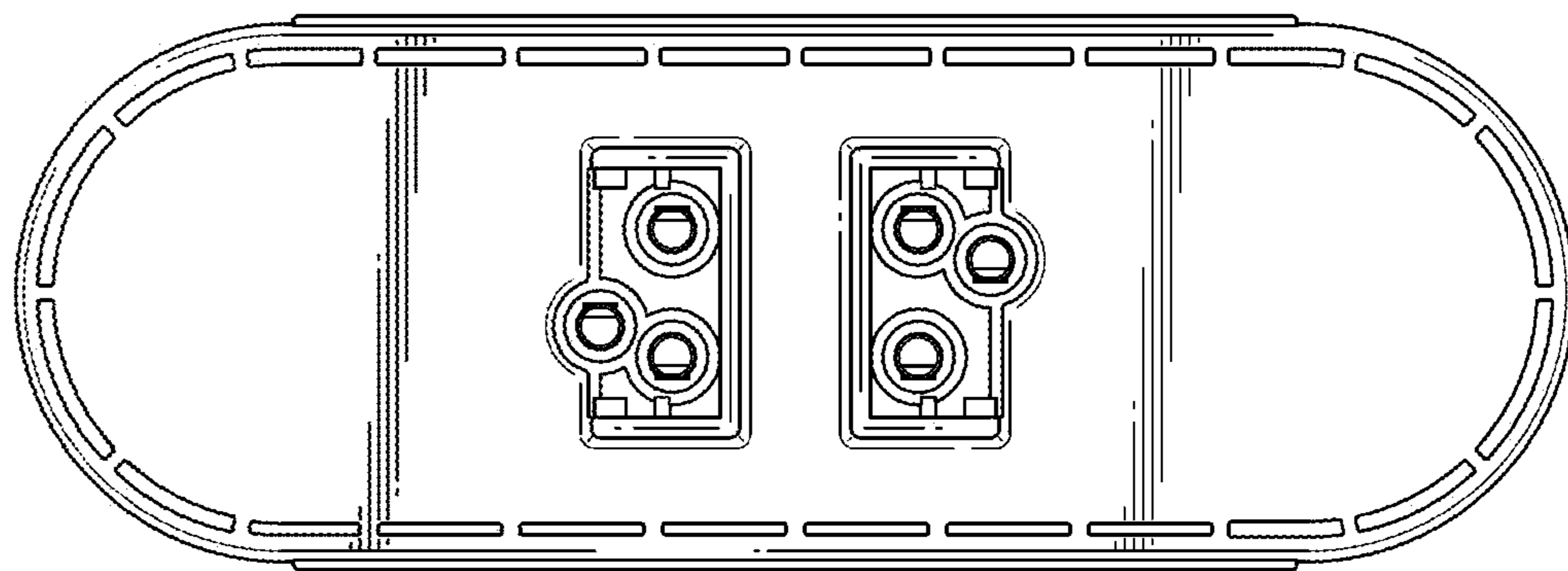


FIG. 4

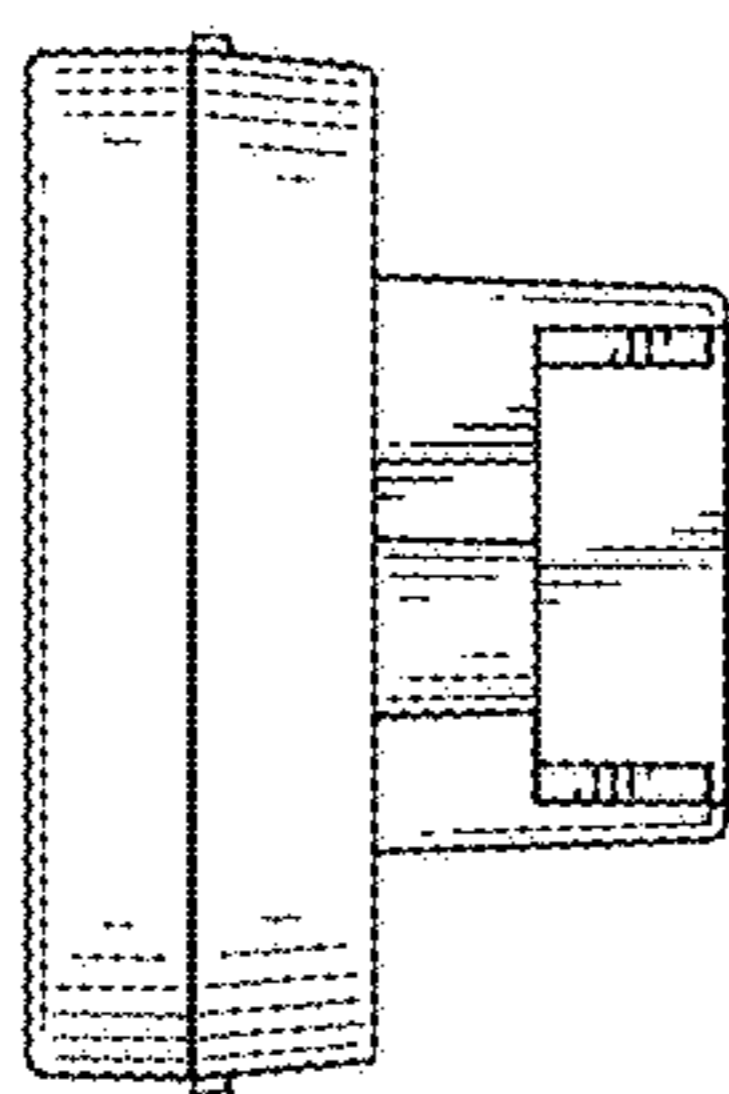


FIG. 5

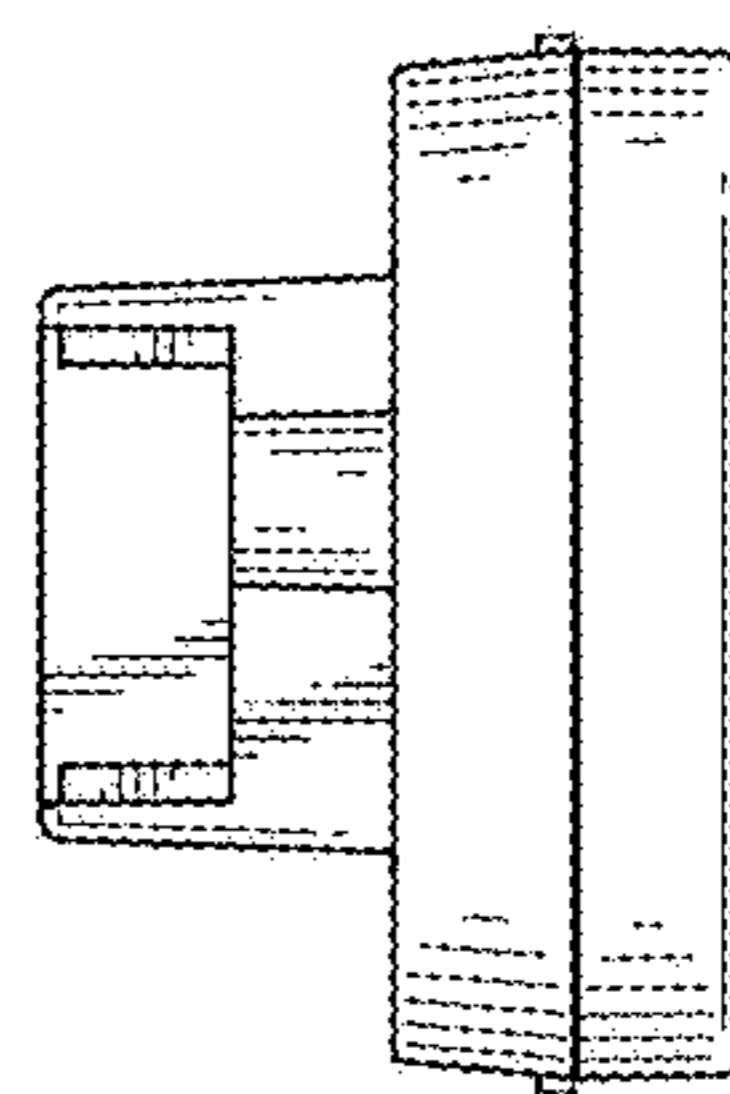


FIG. 6

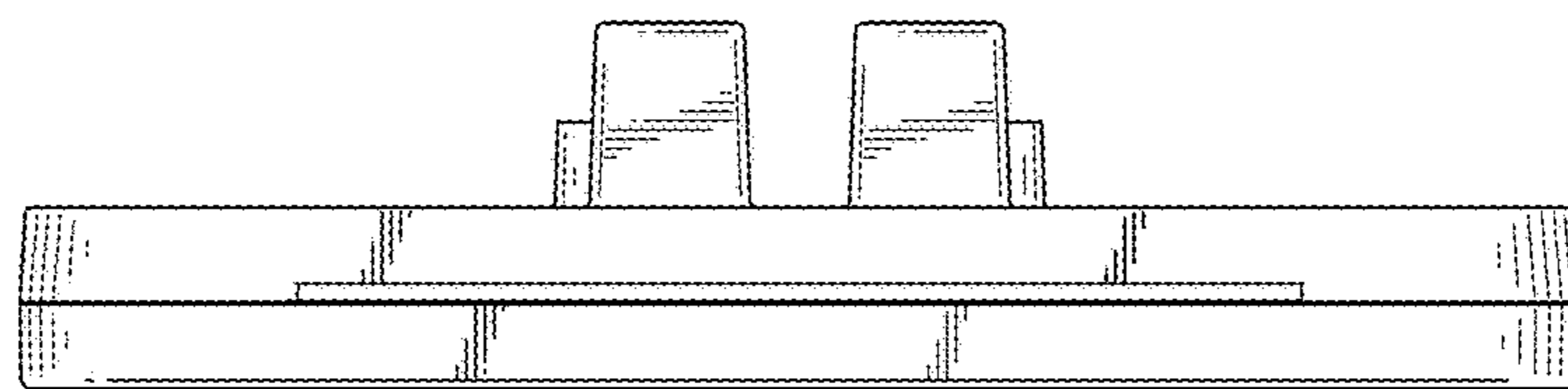


FIG. 7