



US00D788333S

(12) **United States Design Patent** (10) **Patent No.:** **US D788,333 S**
Campagna (45) **Date of Patent:** **** May 30, 2017**

(54) **ELLIPTICAL LIGHT FIXTURE**
(71) Applicant: **Cary J. Campagna**, Portage, MI (US)
(72) Inventor: **Cary J. Campagna**, Portage, MI (US)
(73) Assignee: **COMMAND ELECTRONICS, INC.**,
Schoolcraft, MI (US)
(**) Term: **15 Years**
(21) Appl. No.: **29/534,114**
(22) Filed: **Jul. 27, 2015**
(51) **LOC (10) Cl.** **26-07**
(52) **U.S. Cl.**
USPC **D26/28**
(58) **Field of Classification Search**
USPC D26/28-36; 362/459-468, 475-478,
362/485-487
CPC F21S 48/00; F21S 48/10; F21S 48/115;
F21S 48/225; F21S 48/1233; F21S
48/1266; F21S 48/1388; F21S 48/2268;
F21V 21/04
See application file for complete search history.

D735,907 S * 8/2015 Campagna D26/28
D736,434 S * 8/2015 Kuei-Lai D26/28
D738,548 S * 9/2015 Chen D26/28
D757,965 S * 5/2016 Yeh D26/28

* cited by examiner

Primary Examiner — Angela J Lee
(74) *Attorney, Agent, or Firm* — Flynn, Thiel, Boutell &
Tanis, P.C.

(57) **CLAIM**

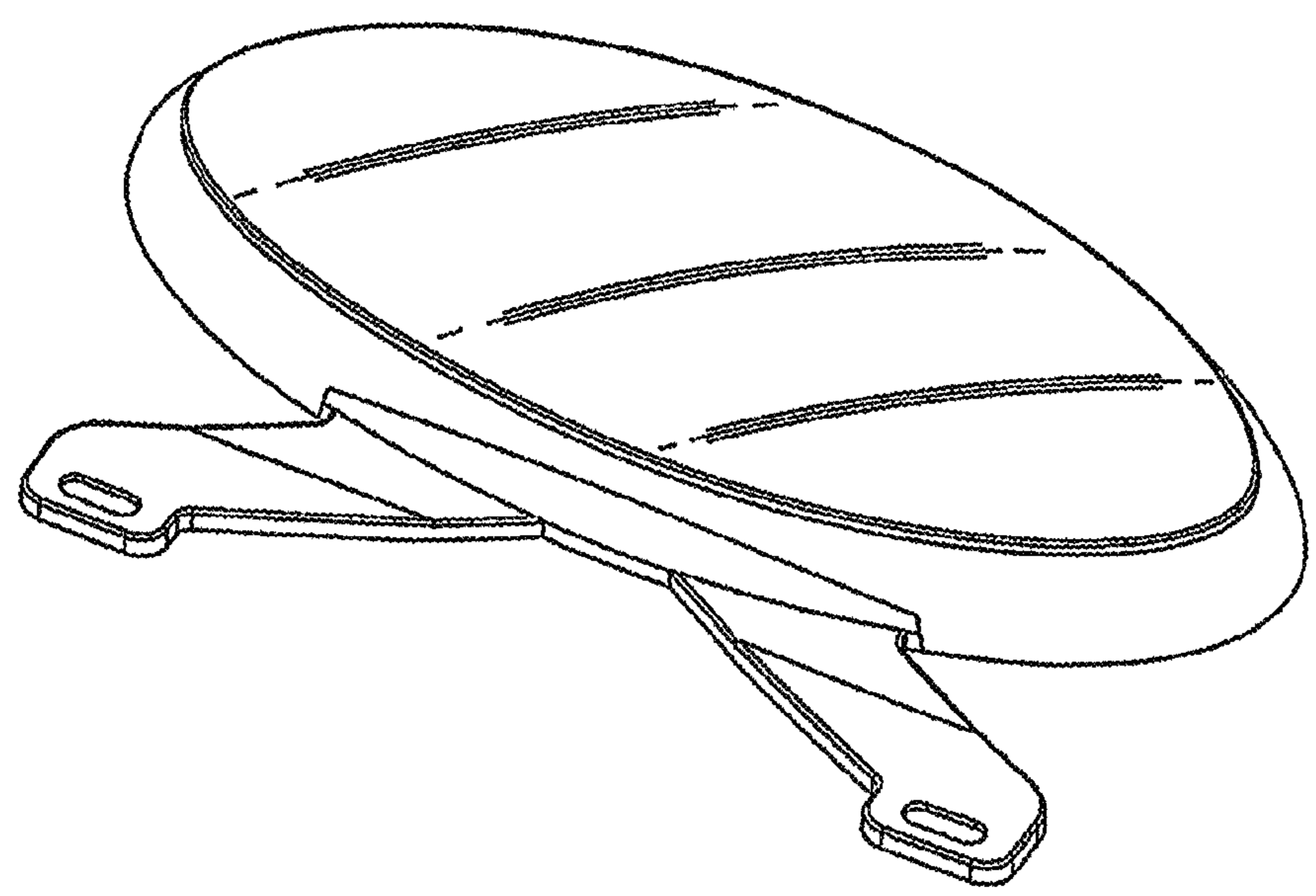
The ornamental designs for an elliptical light fixture, as shown and described.

DESCRIPTION

FIG. 1 is a front and bottom isometric view of a first embodiment of an elliptical light fixture embodying my new design;
FIG. 2 is a front view thereof;
FIG. 3 is a left view thereof;
FIG. 4 is a right view thereof;
FIG. 5 is a top view thereof;
FIG. 6 is a bottom view thereof;
FIG. 7 is a rear view thereof;
FIG. 8 is a rear and bottom isometric view thereof;
FIG. 9 is a front view of a second embodiment of an elliptical light fixture embodying my new design and illustrating an elliptical reflector visible through the transparent lens; and,
FIG. 10 is a front and bottom isometric view thereof.
The left, right, top, bottom, rear, and rear and bottom views of the embodiment of FIGS. 9-10 are identical to FIGS. 3-8, respectively.

(56) **References Cited**
U.S. PATENT DOCUMENTS
D435,126 S * 12/2000 Abry D26/28
D442,304 S * 5/2001 Huang D26/28
D549,367 S * 8/2007 Hovind D26/28
D583,490 S * 12/2008 Rogers D26/28
D592,780 S * 5/2009 Calvin D26/28
D673,703 S * 1/2013 Davies D26/36
D678,564 S * 3/2013 Janssen D26/28
D712,576 S * 9/2014 Merovitz D26/28

1 Claim, 7 Drawing Sheets



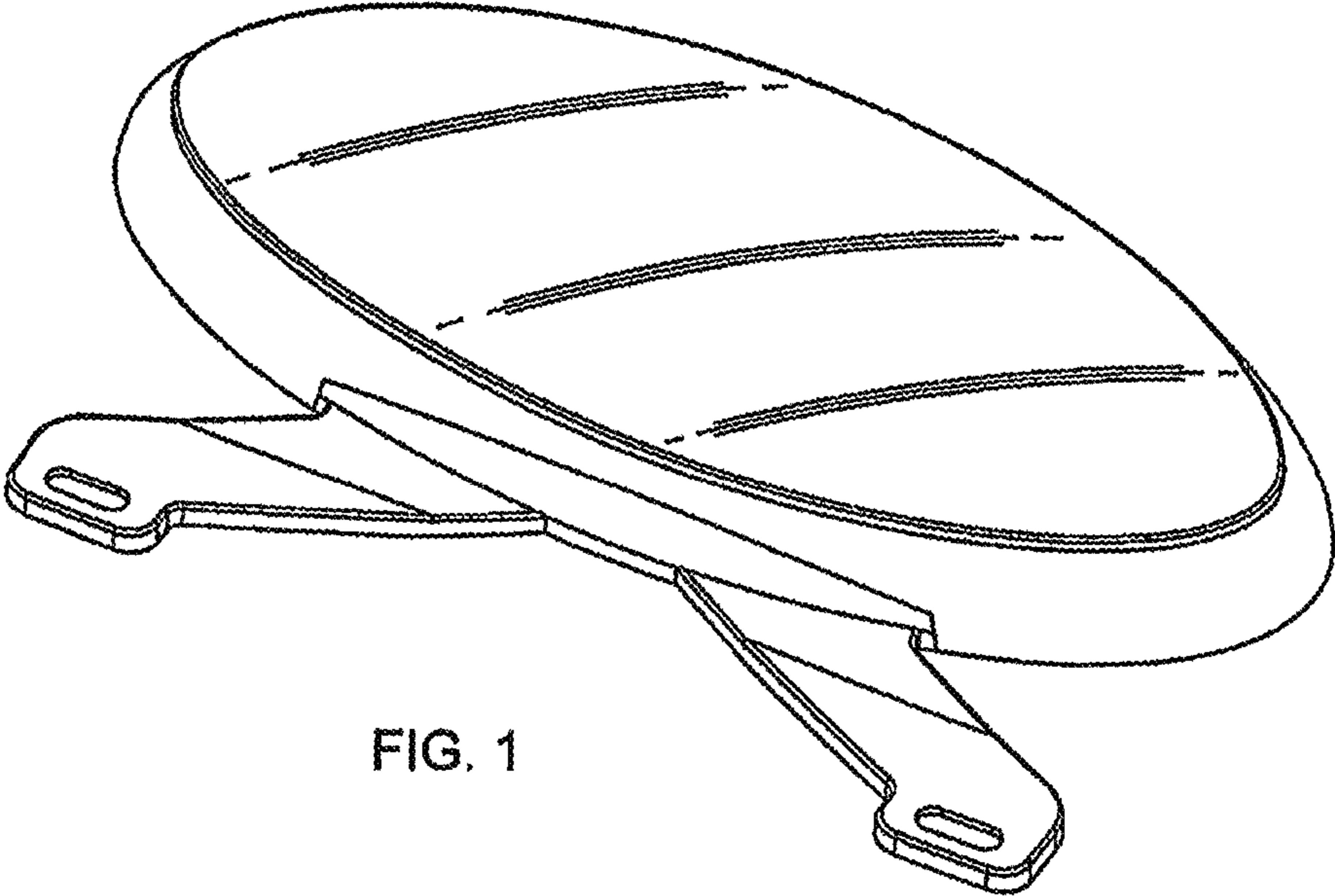


FIG. 1

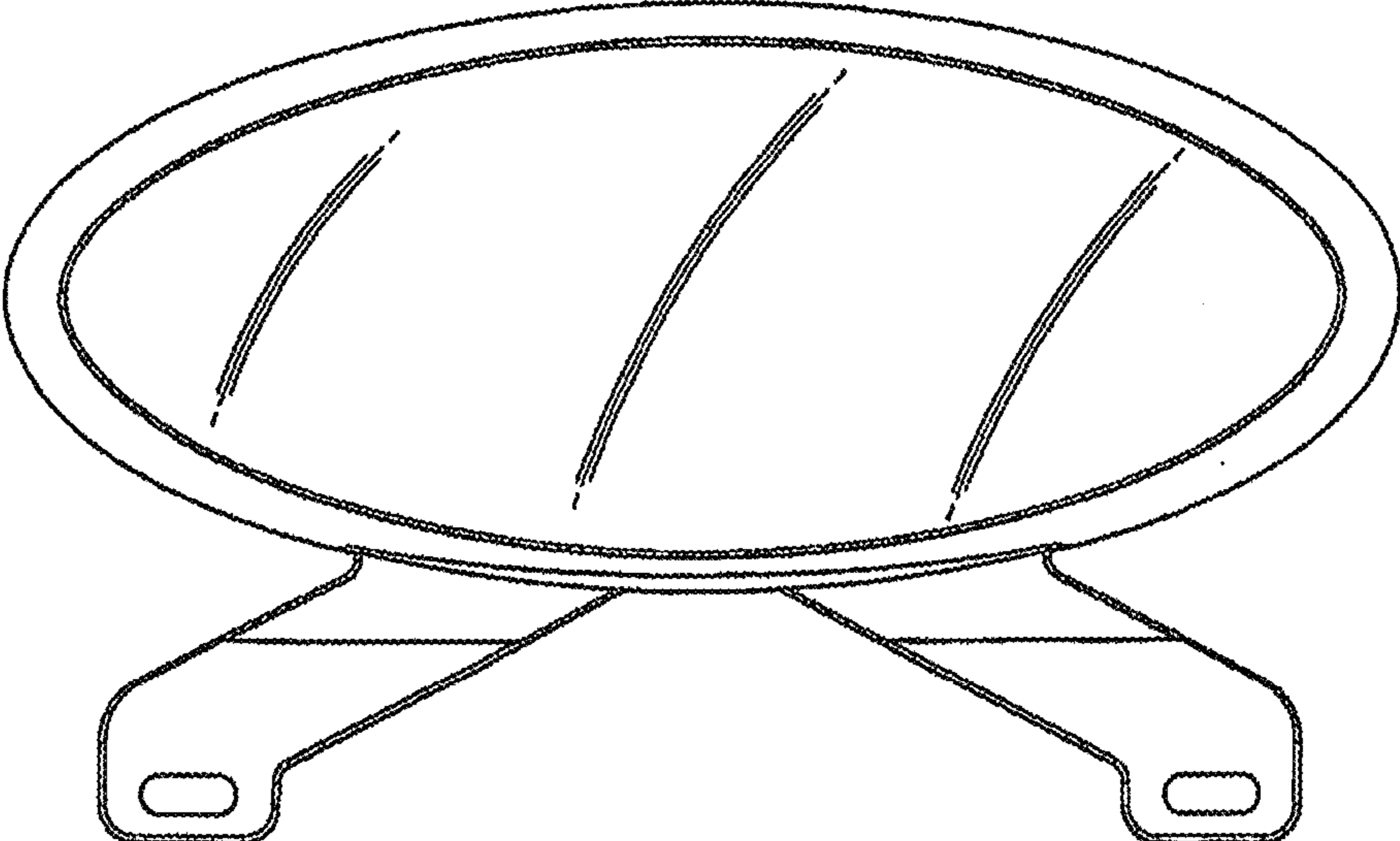


FIG. 2

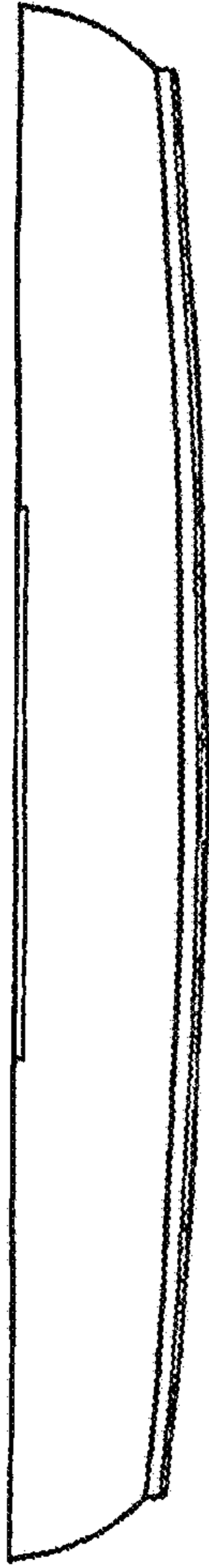


FIG. 5

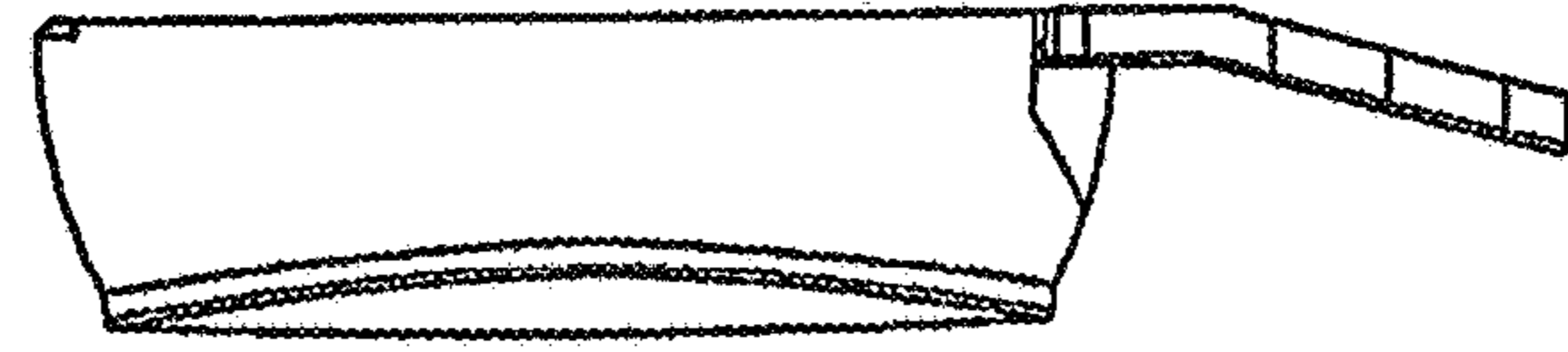


FIG. 4

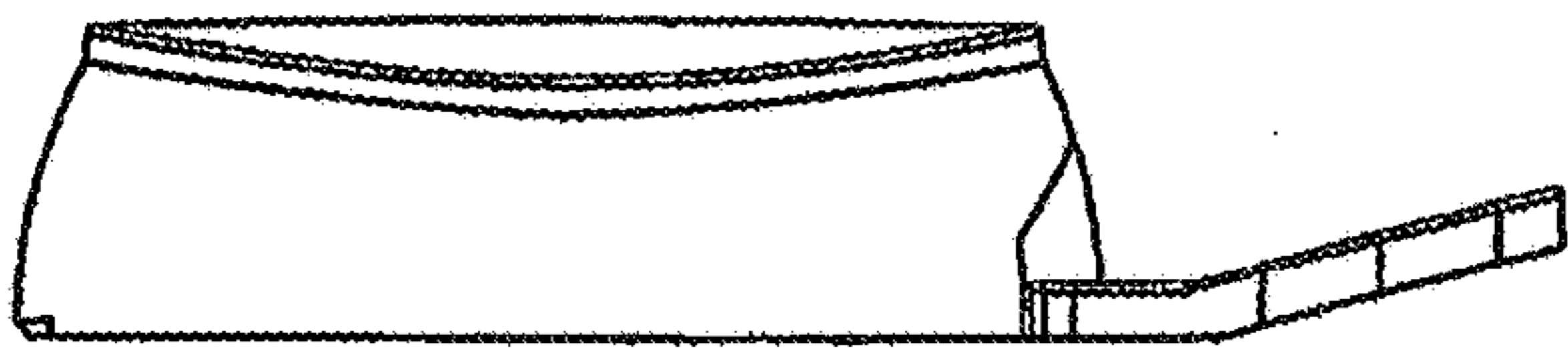


FIG. 3



FIG. 6

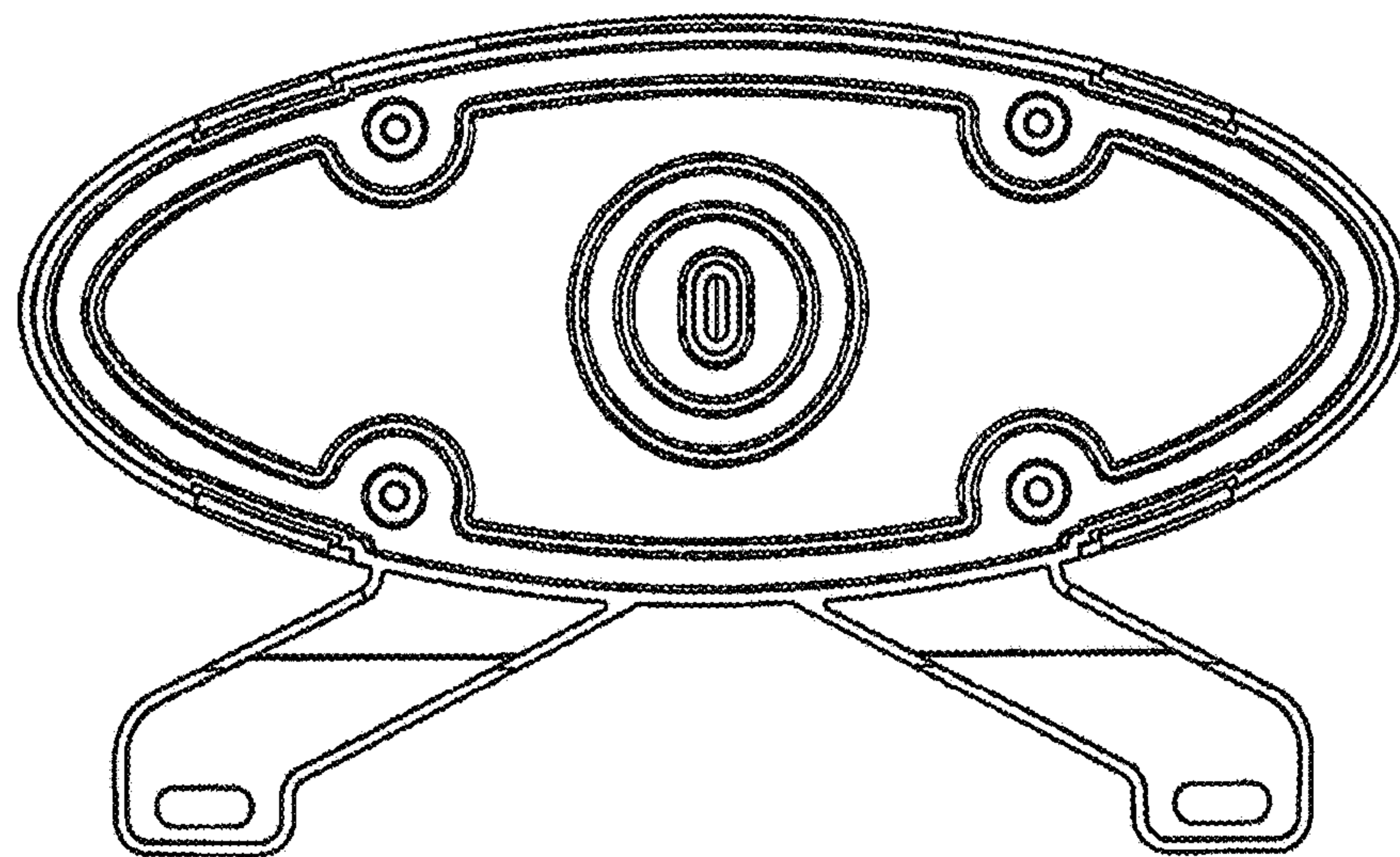


FIG. 7

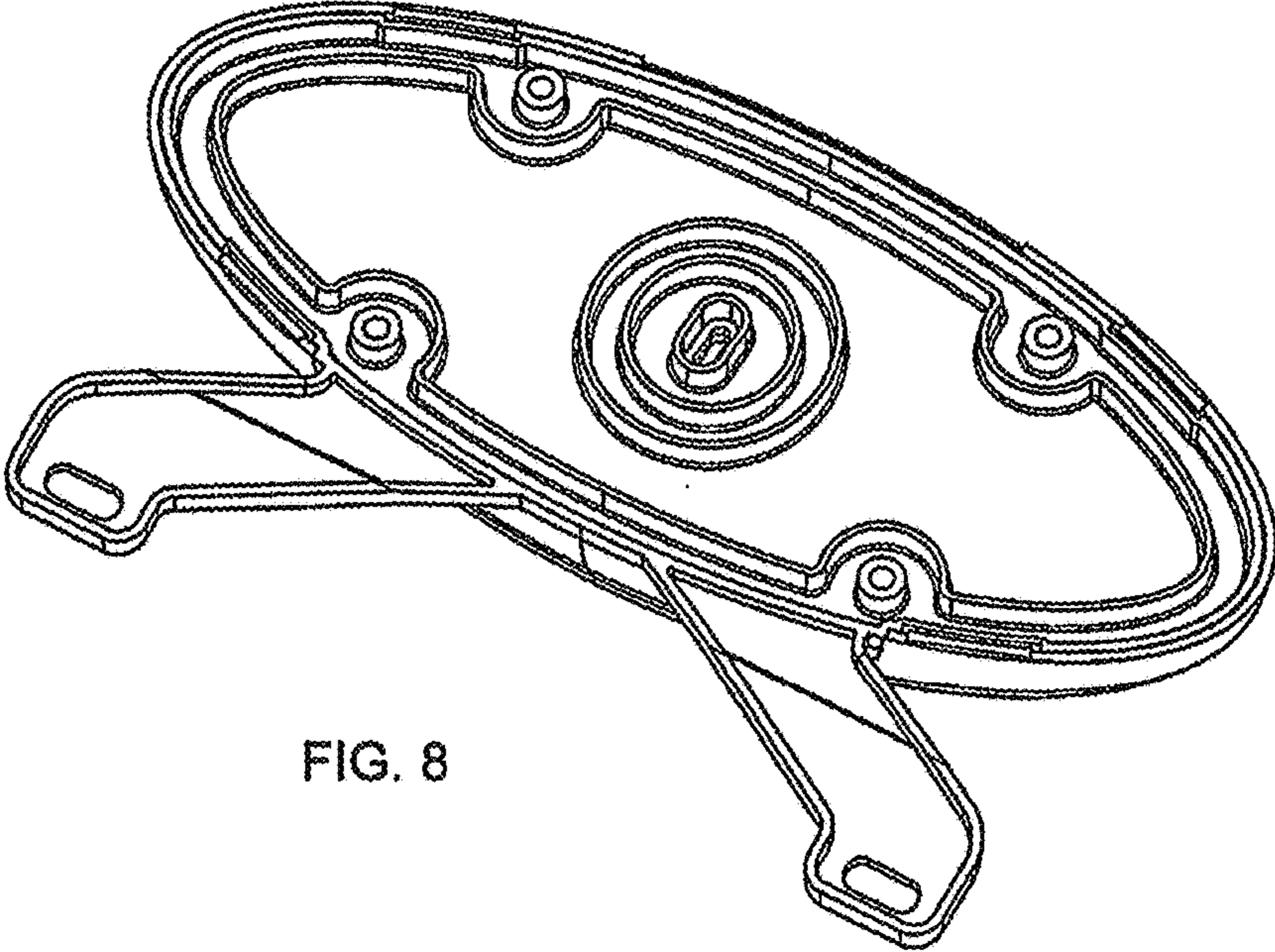


FIG. 8

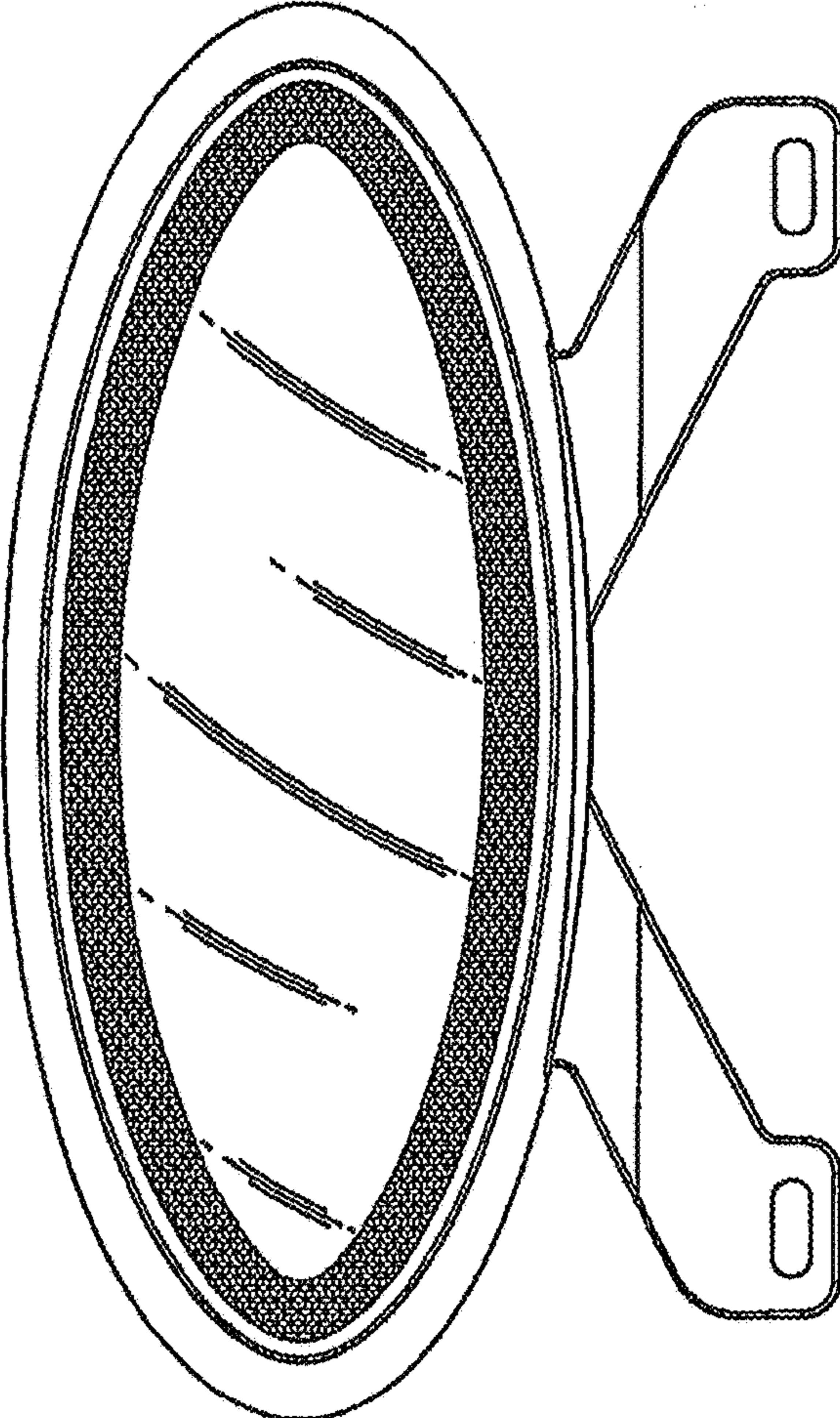


FIG. 9

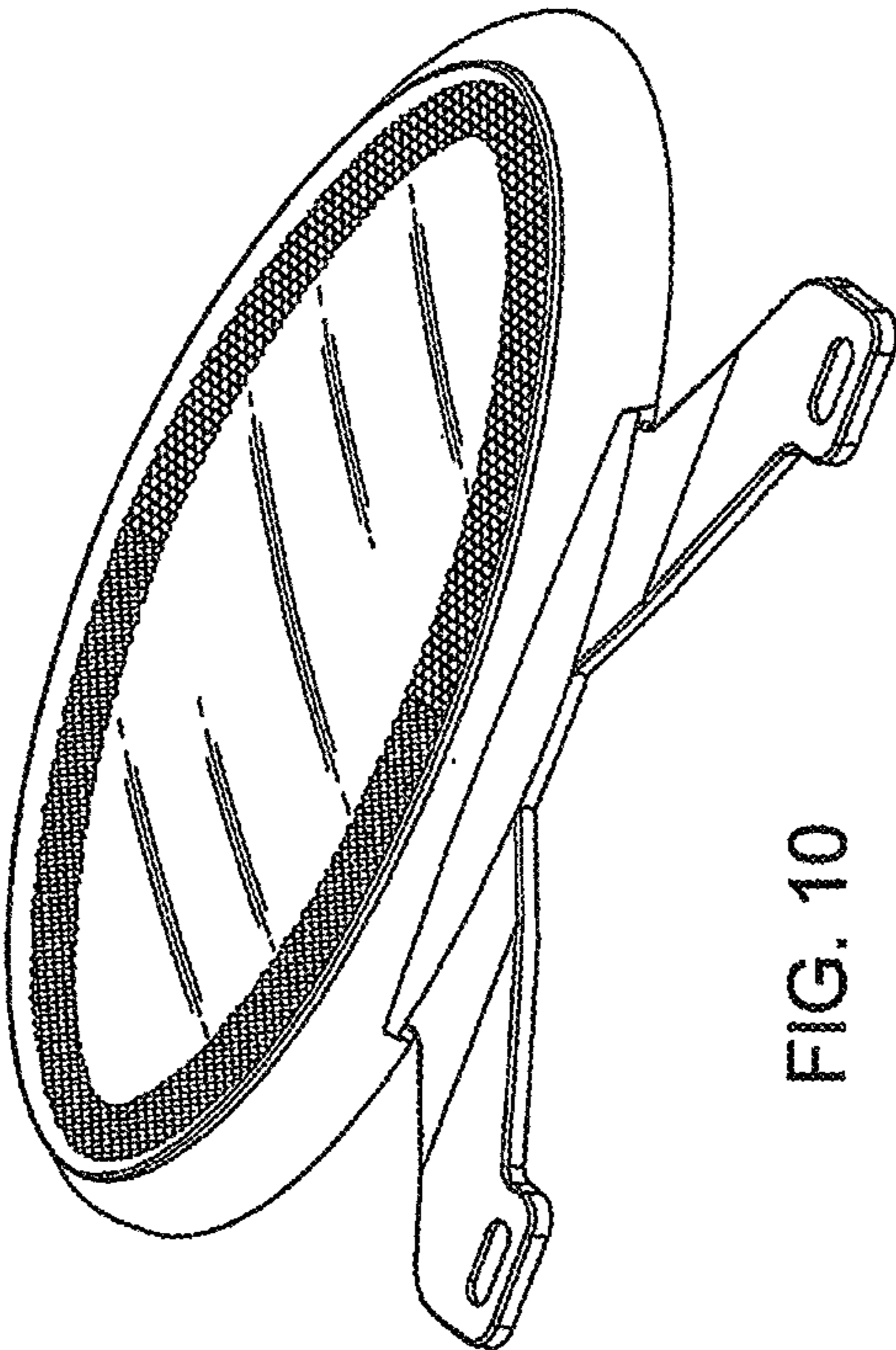


FIG. 10