



US00D788332S

(12) **United States Design Patent** (10) **Patent No.:** **US D788,332 S**
Amaduzzi et al. (45) **Date of Patent:** **** May 30, 2017**

(54) **BICYCLE LIGHT**
(71) Applicant: **Indive Ltd**, London (GB)
(72) Inventors: **Luca Amaduzzi**, London (GB);
Agostino Stilli, London (GB)
(73) Assignees: **Luca Amaduzzi**, London (GB);
Agostino Stilli, London (GB); **INDIVE LTD.**, London (GB)

(**) Term: **15 Years**
(21) Appl. No.: **29/532,967**
(22) Filed: **Jul. 13, 2015**

(30) **Foreign Application Priority Data**
Mar. 6, 2015 (EM) 002648063-0001
Mar. 6, 2015 (EM) 002648063-0002
Mar. 6, 2015 (EM) 002648063-0003

(51) **LOC (10) Cl.** **26-07**
(52) **U.S. Cl.**
USPC **D26/28**

(58) **Field of Classification Search**
USPC D26/28-36; 362/459-468, 475-478,
362/485-487
CPC F21S 48/00; F21S 48/10; F21S 48/115;
F21S 48/225; F21S 48/1233; F21S
48/1266; F21S 48/1388; F21S 48/2268;
F21V 21/04
See application file for complete search history.

(56) **References Cited**
U.S. PATENT DOCUMENTS

D358,675 S * 5/1995 Wyse D26/28
D463,048 S * 9/2002 Scott D26/28
D540,966 S * 4/2007 Ueda D26/28
D541,447 S * 4/2007 Ueda D26/28

D584,840 S * 1/2009 Okuda D26/28
D606,215 S * 12/2009 May D26/28
D627,496 S * 11/2010 Feinbloom D26/28
D667,152 S * 9/2012 Hamasaki D26/28
D679,038 S * 3/2013 Hamasaki D26/28
D735,381 S * 7/2015 Lee D26/28
D743,067 S * 11/2015 Kosugi D26/28
D757,964 S * 5/2016 Eagleman D26/28
D757,968 S * 5/2016 Olson D26/28

OTHER PUBLICATIONS

Search Report for corresponding GB Application No. GB1412248.5, dated Jun. 30, 2015 (1 pg.).
Uon Lights, 2013, "Uon Bicycle Signal Lights", Youtube.com, Available from: <https://www.youtube.com/watch?v=vOGR94s8ufA> (1 pg.).

(Continued)

Primary Examiner — Angela J Lee
(74) *Attorney, Agent, or Firm* — Kagan Binder, PLLC

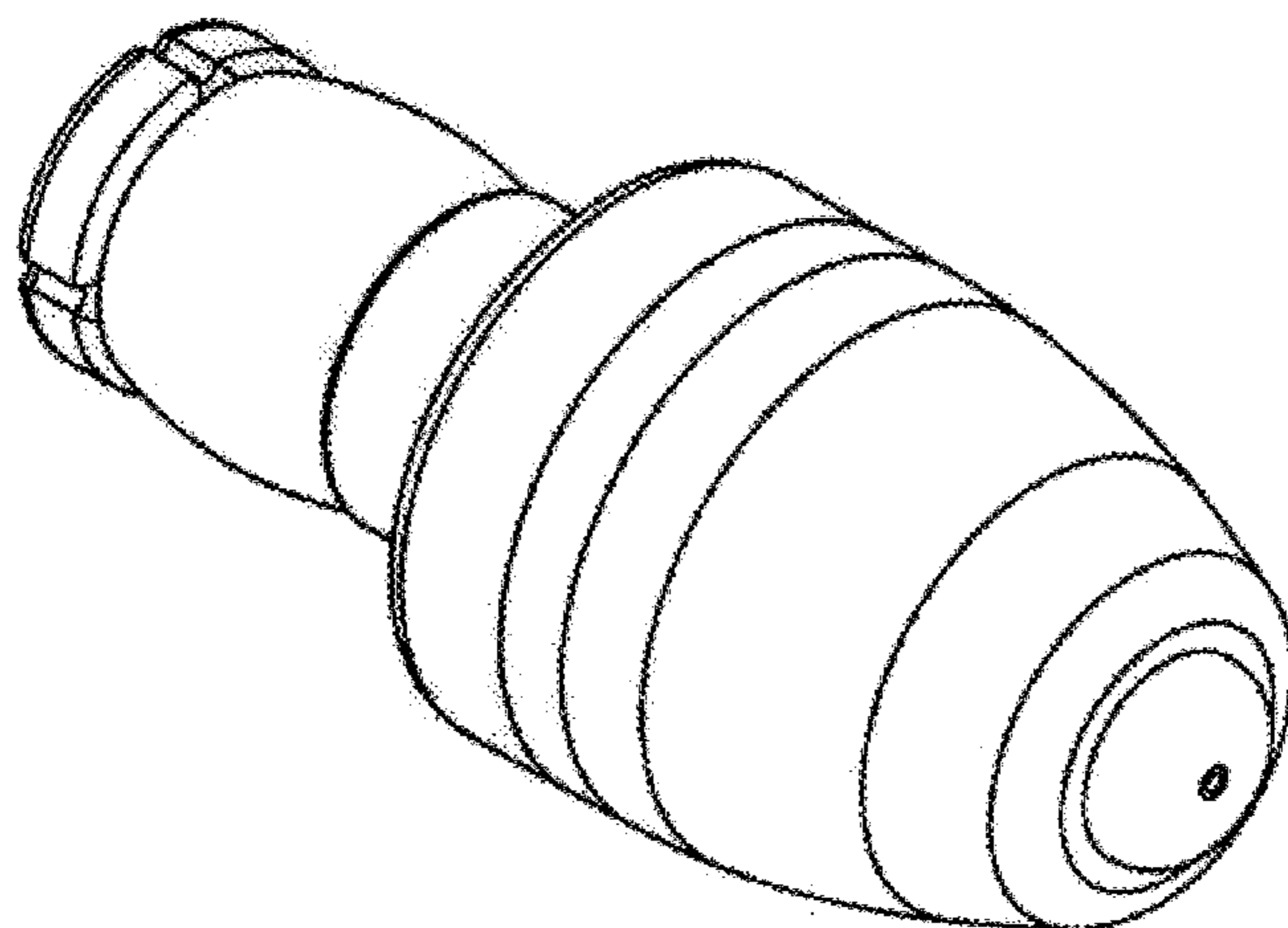
(57) **CLAIM**

The ornamental design for a bicycle light, as shown and described.

DESCRIPTION

FIG. 1 is a perspective view of a bicycle light;
FIG. 2 is an exploded perspective view thereof;
FIG. 3 is a side elevation view thereof;
FIG. 4 is an exploded side elevation view thereof;
FIG. 5 is a front elevation view thereof;
FIG. 6 is a rear exploded perspective view thereof;
FIG. 7 is a rear elevation view thereof;
FIG. 8 is a perspective view thereof, but showing the bicycle light in use mounted on a bicycle handle shown in broken lines; and,
FIG. 9 is a side view thereof.
The broken lines shown in the drawings represent environment that form no part of the claimed design.

1 Claim, 9 Drawing Sheets



(56)

References Cited

OTHER PUBLICATIONS

Uon Ligts, 2013, "Uon Lights", Indiegogo.com, Retrieved from <https://www.indiegogo.com/projects/uon-lights#/story> (8 pgs.)

Copenhagen Parts, 2012, "Magnetic Bike Lights: Brightening Bike Lanes Worldwide", Kickstarter.com, Retrieved from: <https://www.kickstarter.com/projects/copenhagenparts/magnetic-bike-lights-brightening-bike-lanes-worldw#description> (10 pgs.)

Indive ltd, 2014, "WingLights Indicators for Bicycles," retrieved from: <http://www.cycl.bike/> (6 pgs.).

Cycl, Nov. 18, 2014, "WingLights—Versatile Indicators for Bicycles", Kickstarter.com, Retrieved from <https://www.kickstarter.com/projects/1470807343/winglights-versatile-indicators-for-bicycles> (8 pgs).

* cited by examiner

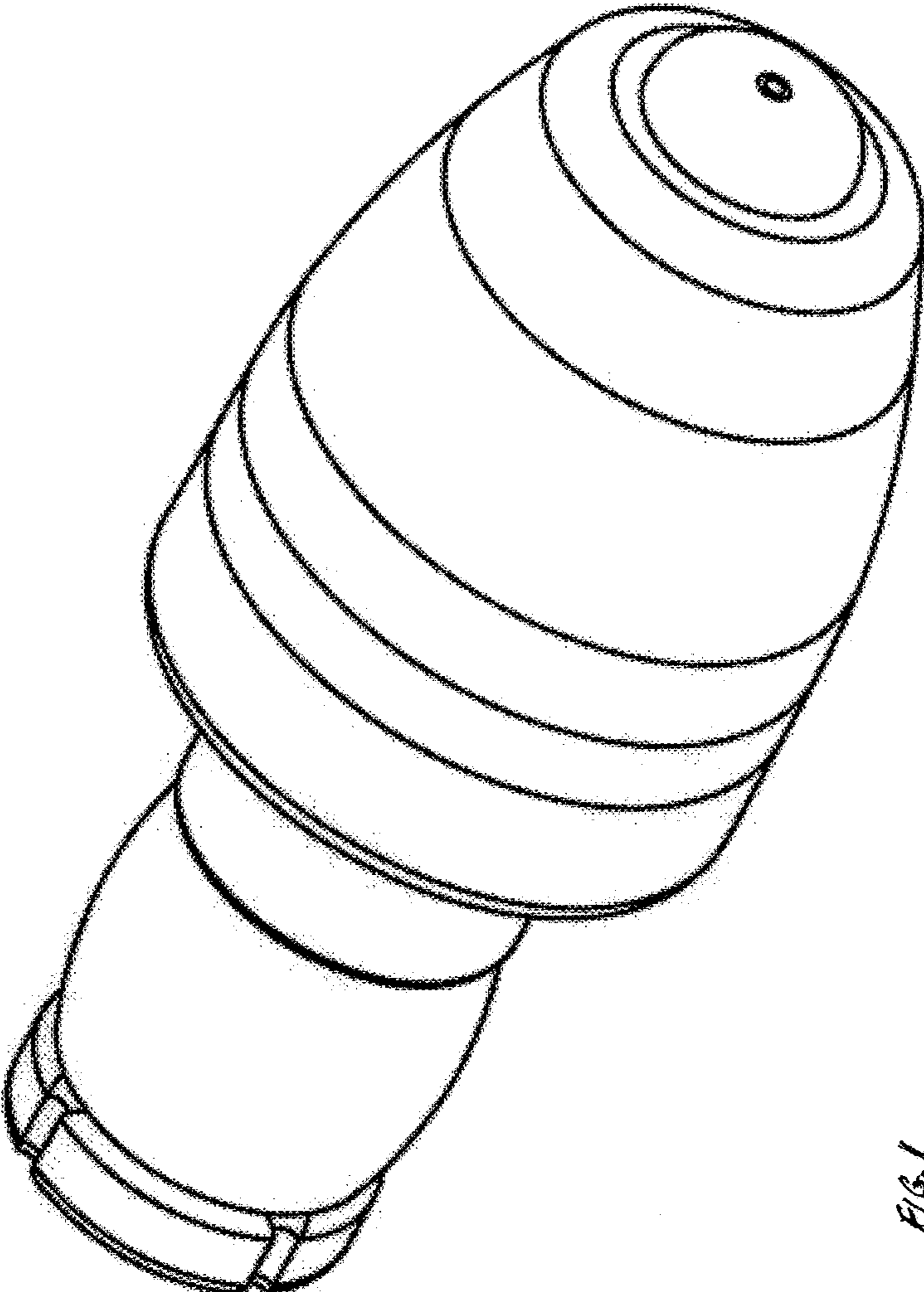


FIG. 1

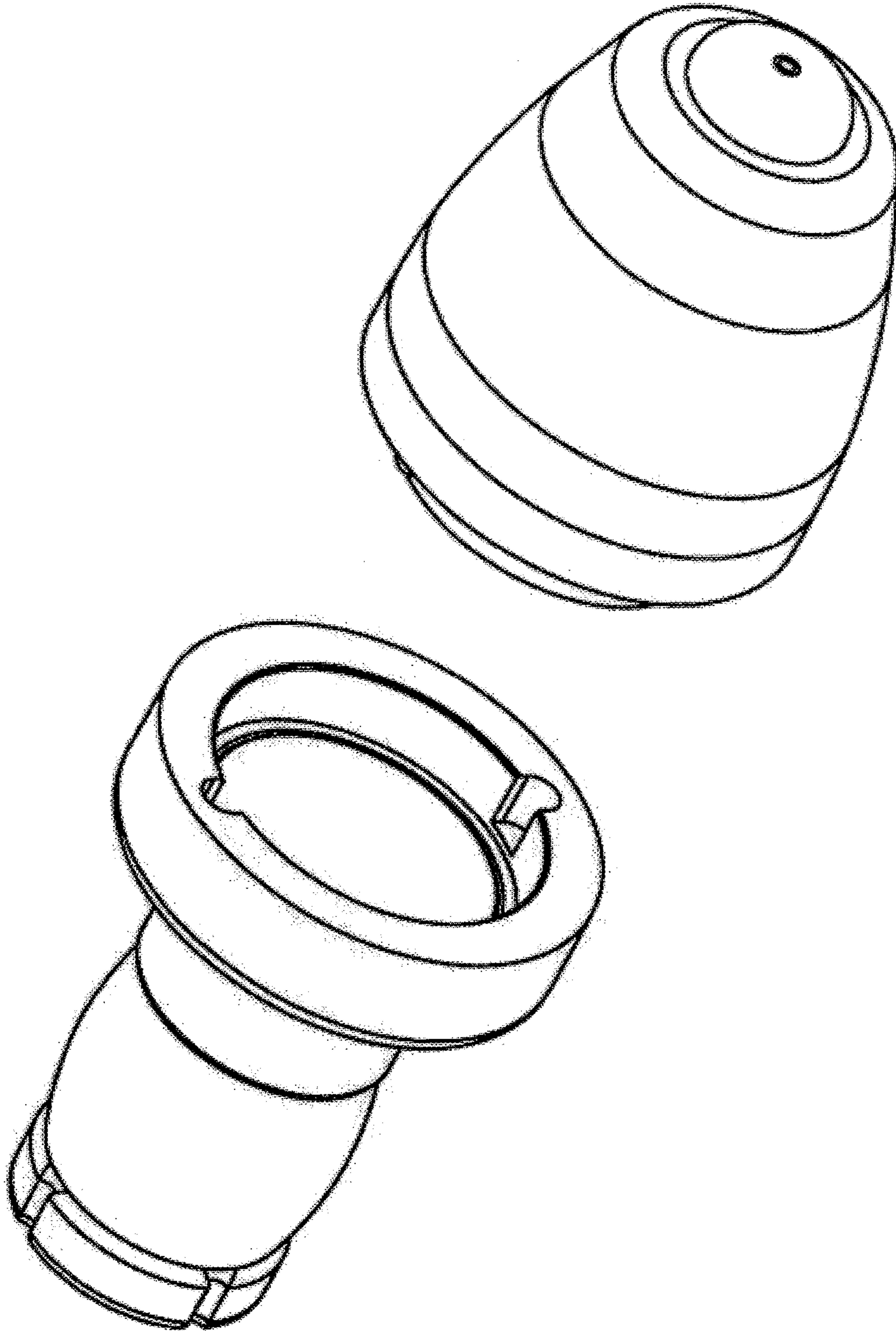


FIG. 2

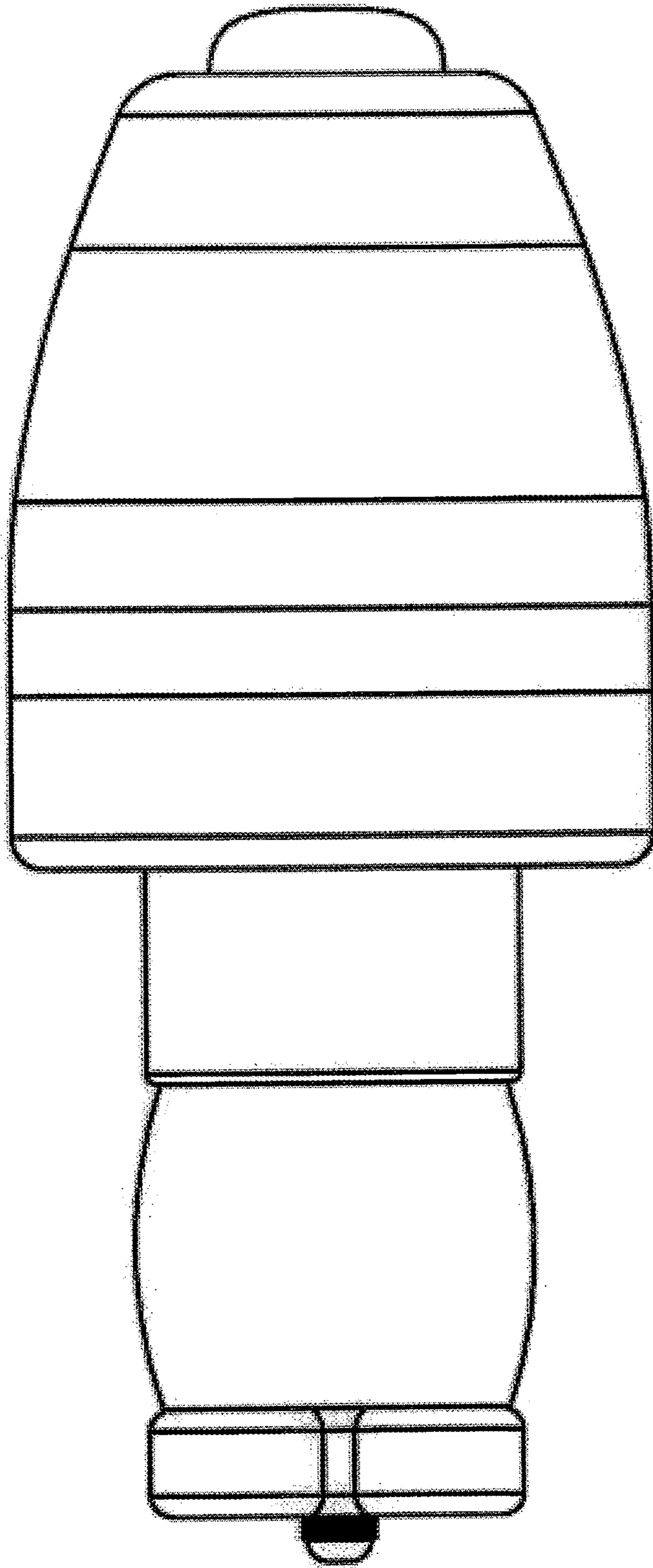


FIG. 3

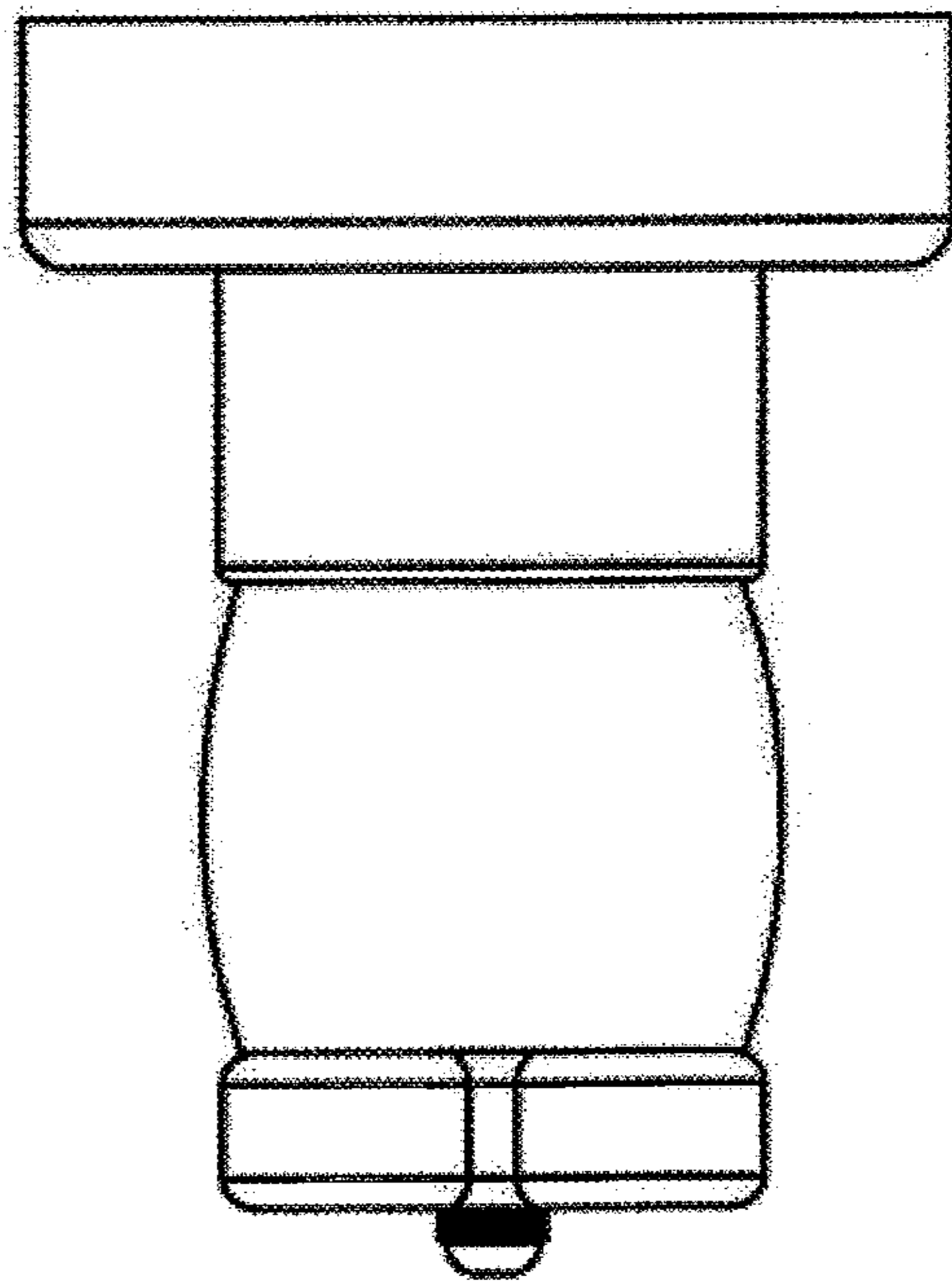
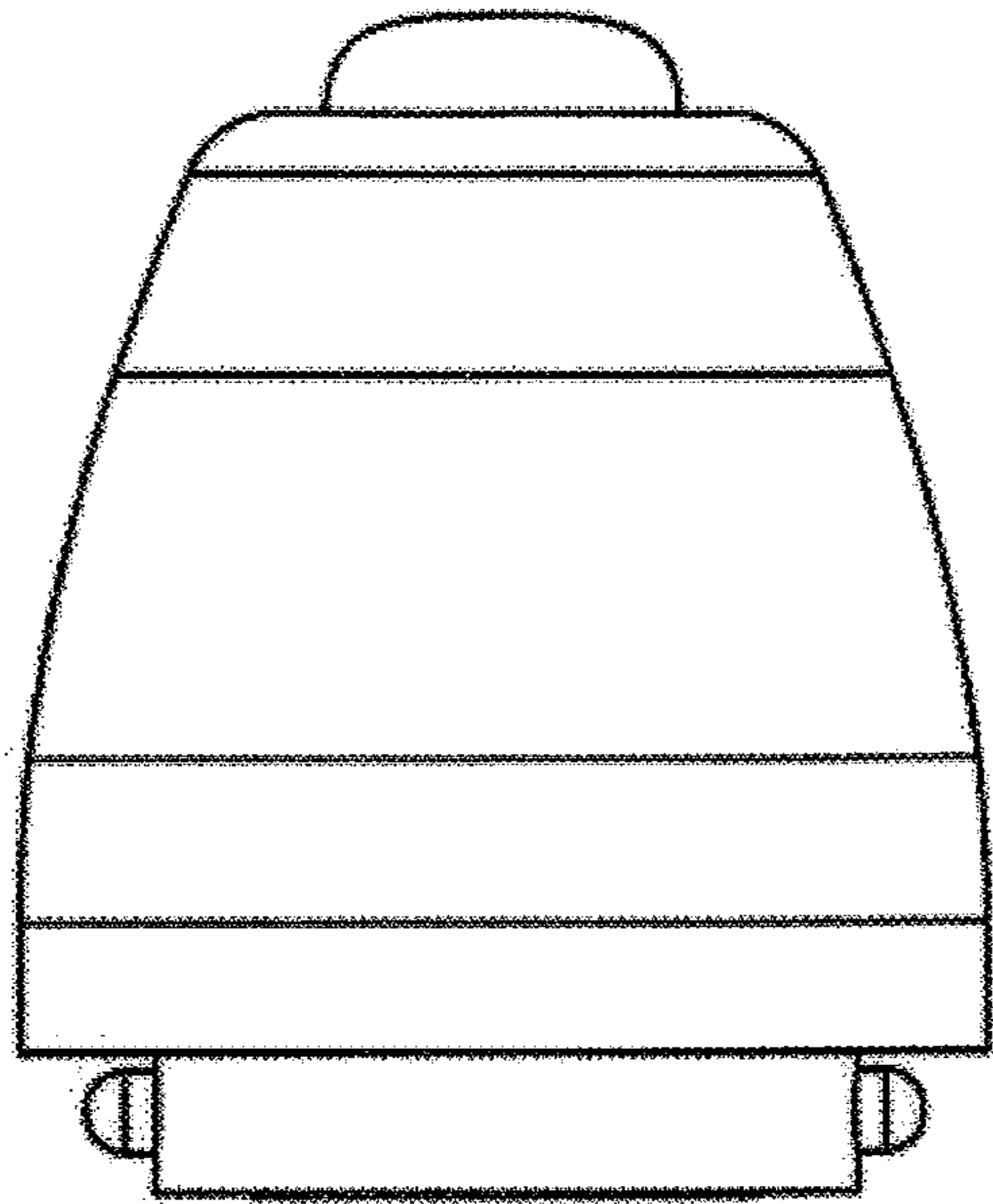


FIG. 4

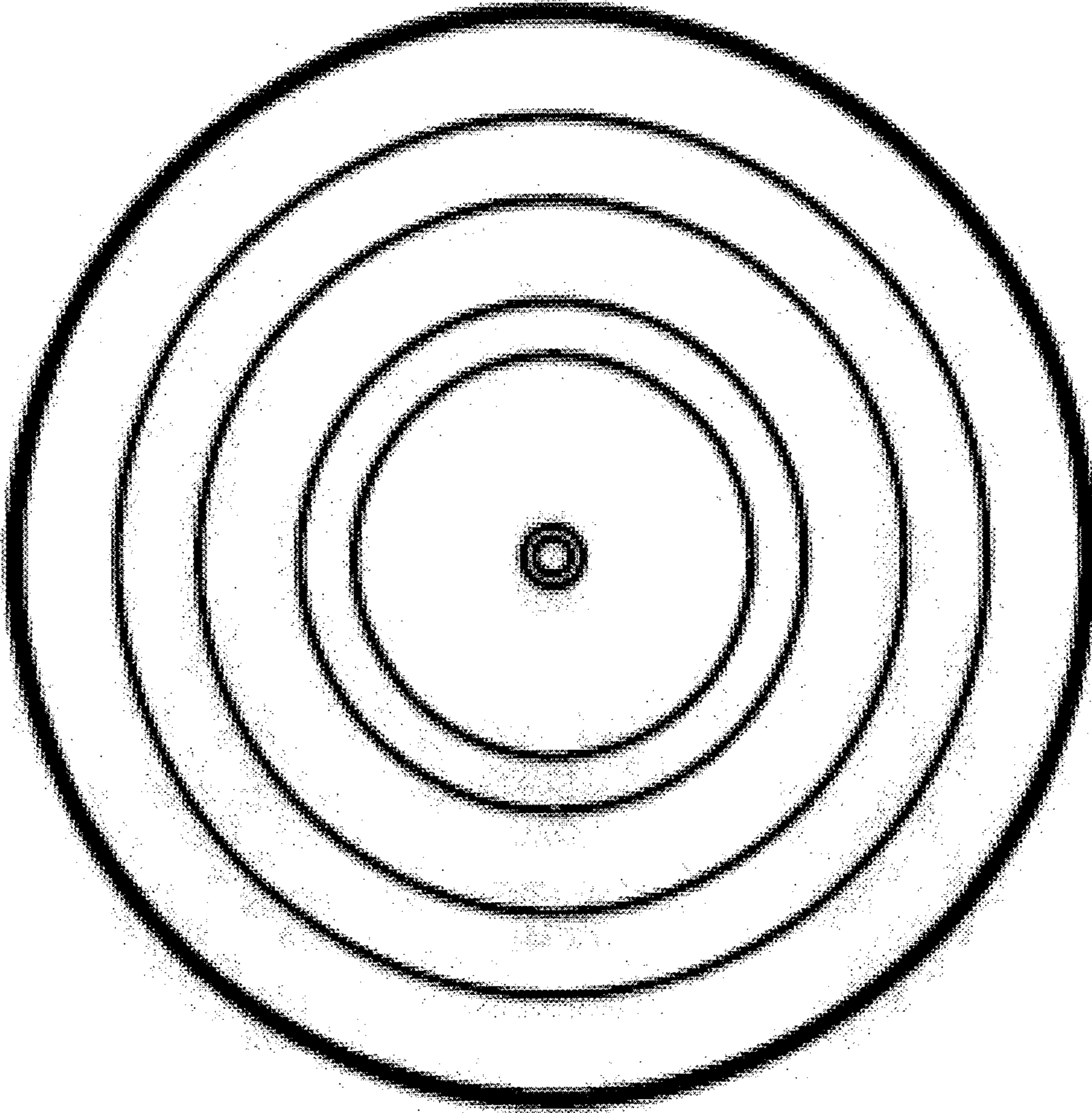


FIG. 5

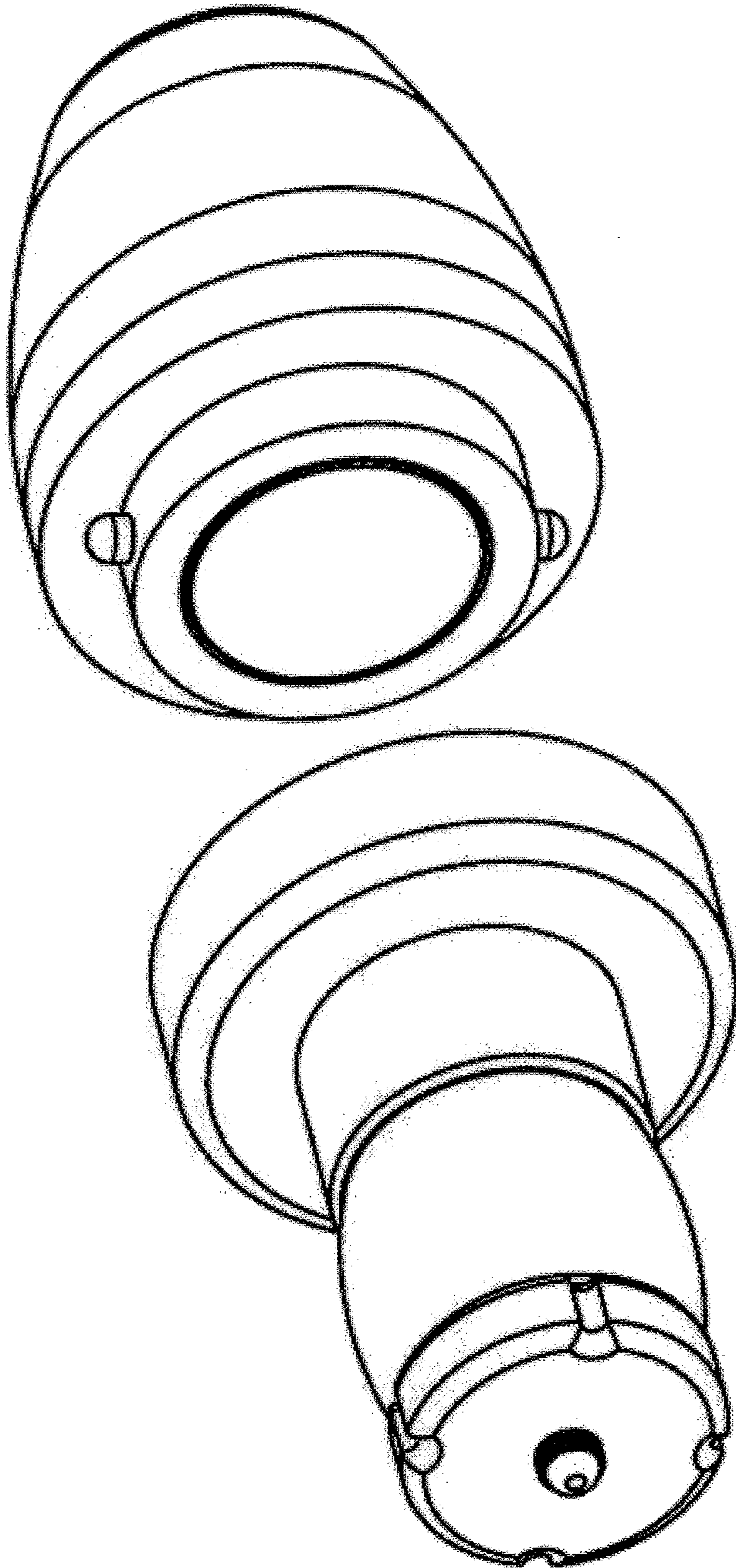


FIG. 6

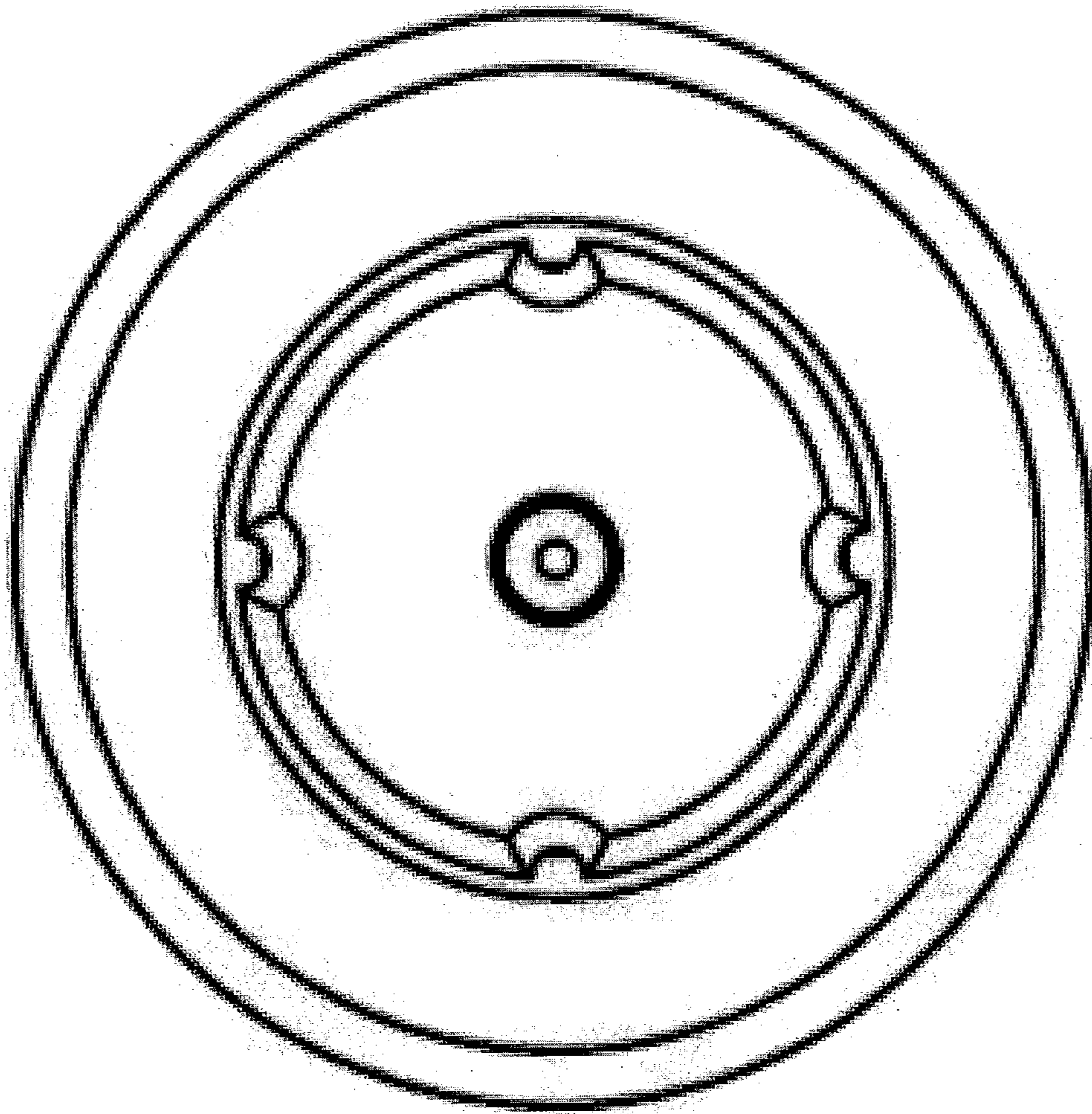


FIG. 7

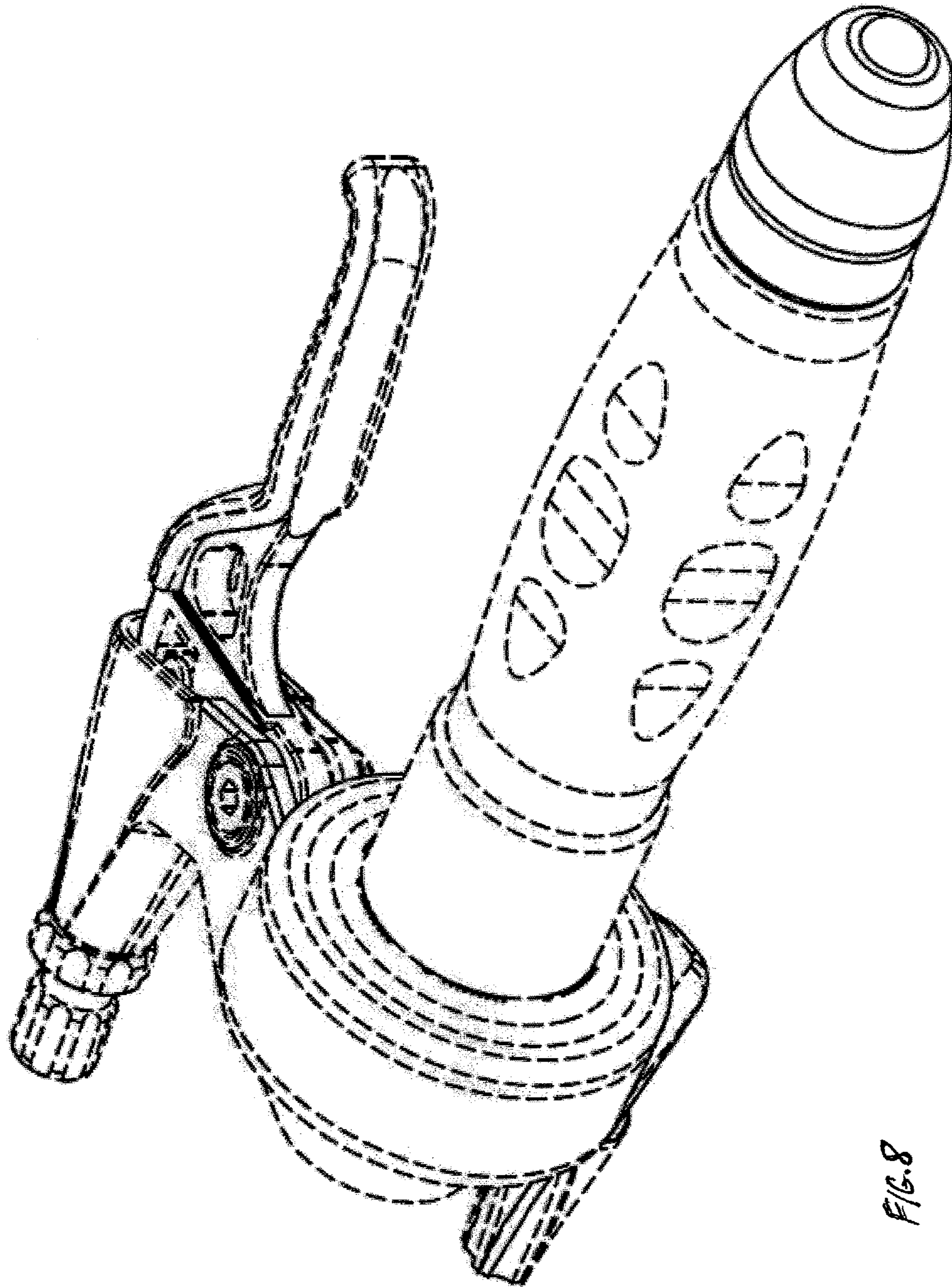


FIG. 8

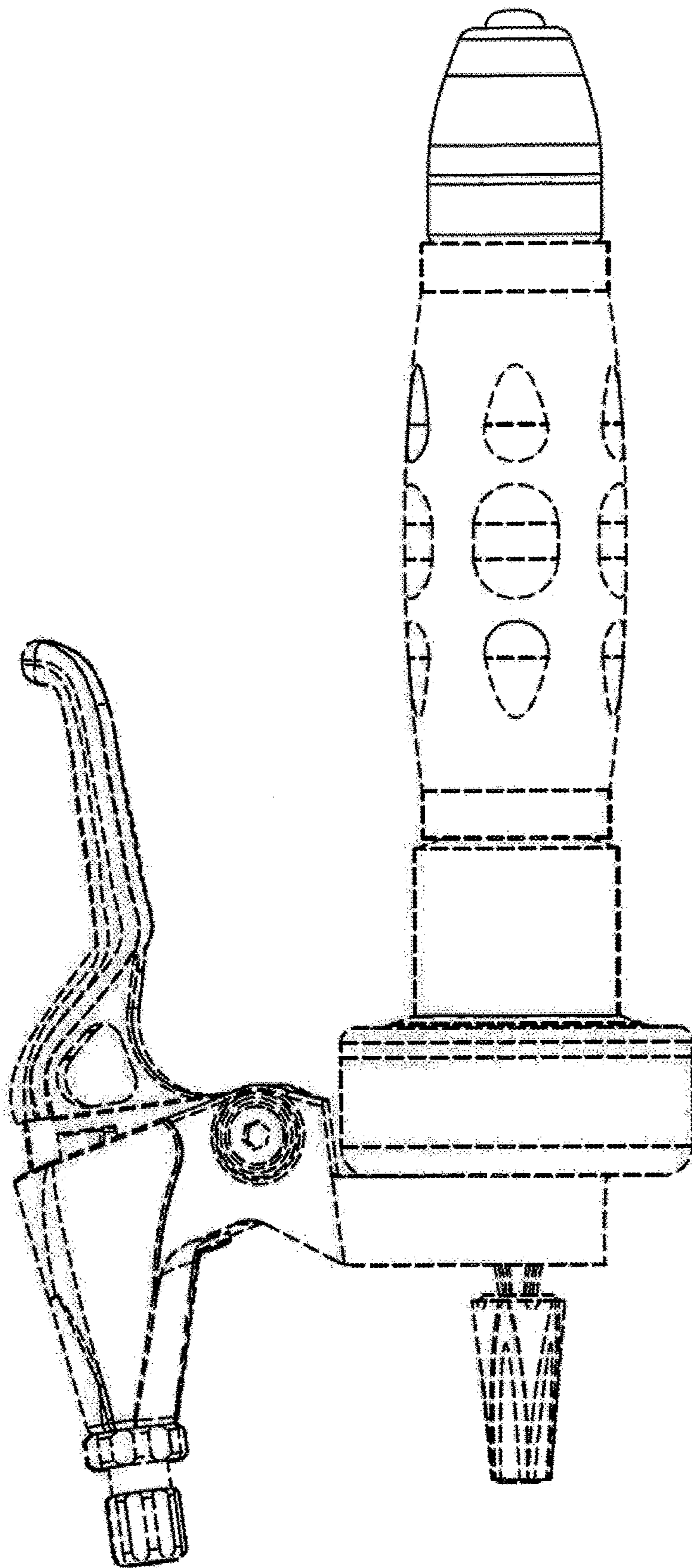


FIG. 9