



US00D788331S

(12) **United States Design Patent**  
**Beghelli**

(10) **Patent No.:** **US D788,331 S**

(45) **Date of Patent:** **\*\* May 30, 2017**

(54) **LIGHT FIXTURE HAVING FOUR LAMP ELEMENTS**

D715,466 S \* 10/2014 Wang ..... D26/24  
D754,373 S \* 4/2016 Lutz ..... D26/24  
D756,548 S \* 5/2016 Wang ..... D26/24

(71) Applicant: **BEGHELLI S.P.A.**, Montevoglio (BO) (IT)

\* cited by examiner

(72) Inventor: **Gian Pietro Beghelli**, Montevoglio (IT)

*Primary Examiner* — Brian N Vinson

(73) Assignee: **BEGHELLI S.P.A.**, Montevoglio (BO) (IT)

(74) *Attorney, Agent, or Firm* — Hedman & Costigan, P.C.; James V. Costigan; Kathleen A. Costigan

(\*\*) Term: **14 Years**

(21) Appl. No.: **29/524,519**

(22) Filed: **Apr. 21, 2015**

(57) **CLAIM**

The ornamental design for a light fixture having four lamp elements, as shown and described.

(30) **Foreign Application Priority Data**

Oct. 21, 2014 (EM) ..... 002560888-0001

**DESCRIPTION**

(51) **LOC (10) Cl.** ..... **26-03**

(52) **U.S. Cl.**  
USPC ..... **D26/24**

(58) **Field of Classification Search**  
USPC ..... D26/1, 24, 51, 72, 104, 80  
CPC ..... F21L 4/00; F21L 7/00; F21L 15/16; F21S 8/09; F21V 7/09; F21V 21/30  
See application file for complete search history.

FIG. 1 is a top plan view of a light fixture having four lamp elements showing my new design;  
FIG. 2 is a front elevational view thereof;  
FIG. 3 is a right side view thereof;  
FIG. 4 is a rear elevational view thereof;  
FIG. 5 is a left side view thereof; and,  
FIG. 6 is a bottom plan view thereof.

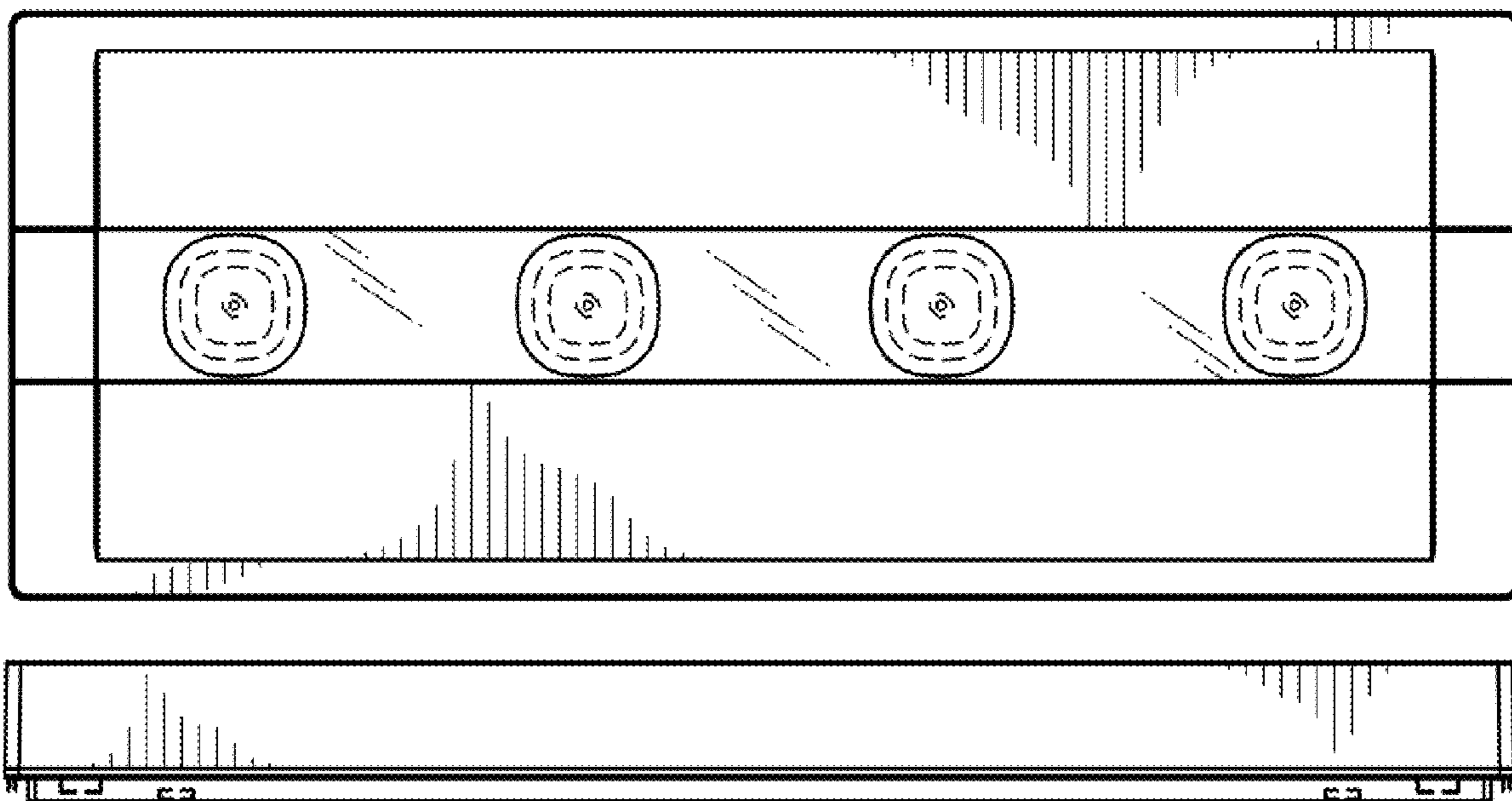
(56) **References Cited**

**U.S. PATENT DOCUMENTS**

D384,762 S \* 10/1997 Roorda ..... D26/24  
D467,372 S \* 12/2002 Lee ..... D26/35  
D535,761 S \* 1/2007 Li ..... D26/24

The portions of the light fixture having four lamp elements shown in broken lines form no part of the claimed design.

**1 Claim, 1 Drawing Sheet**



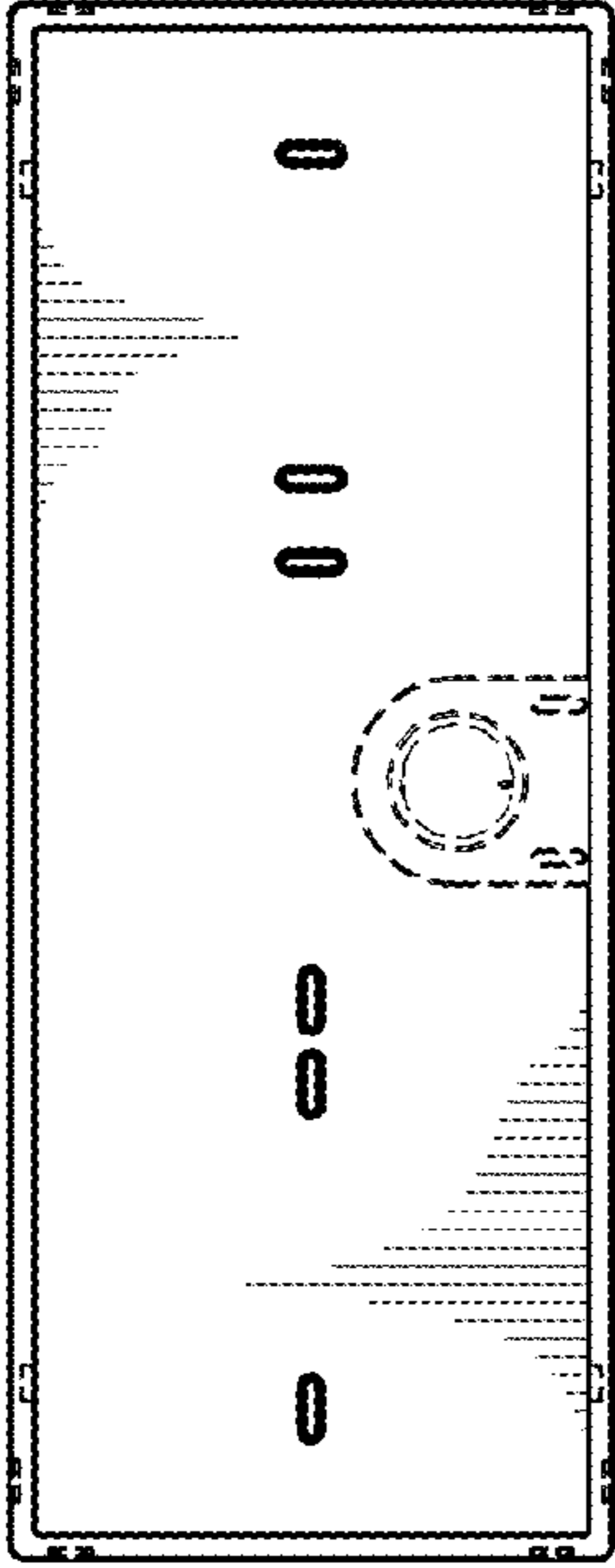


FIG. 6

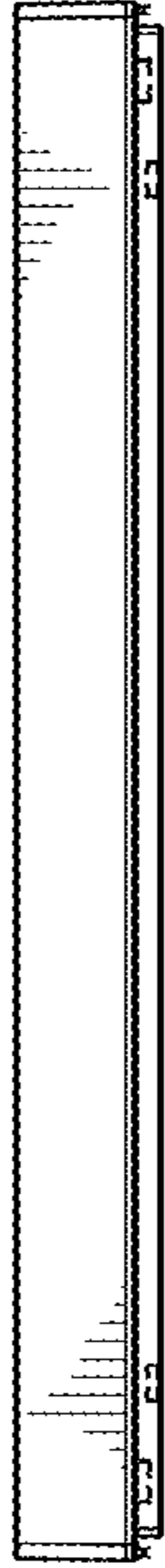


FIG. 2

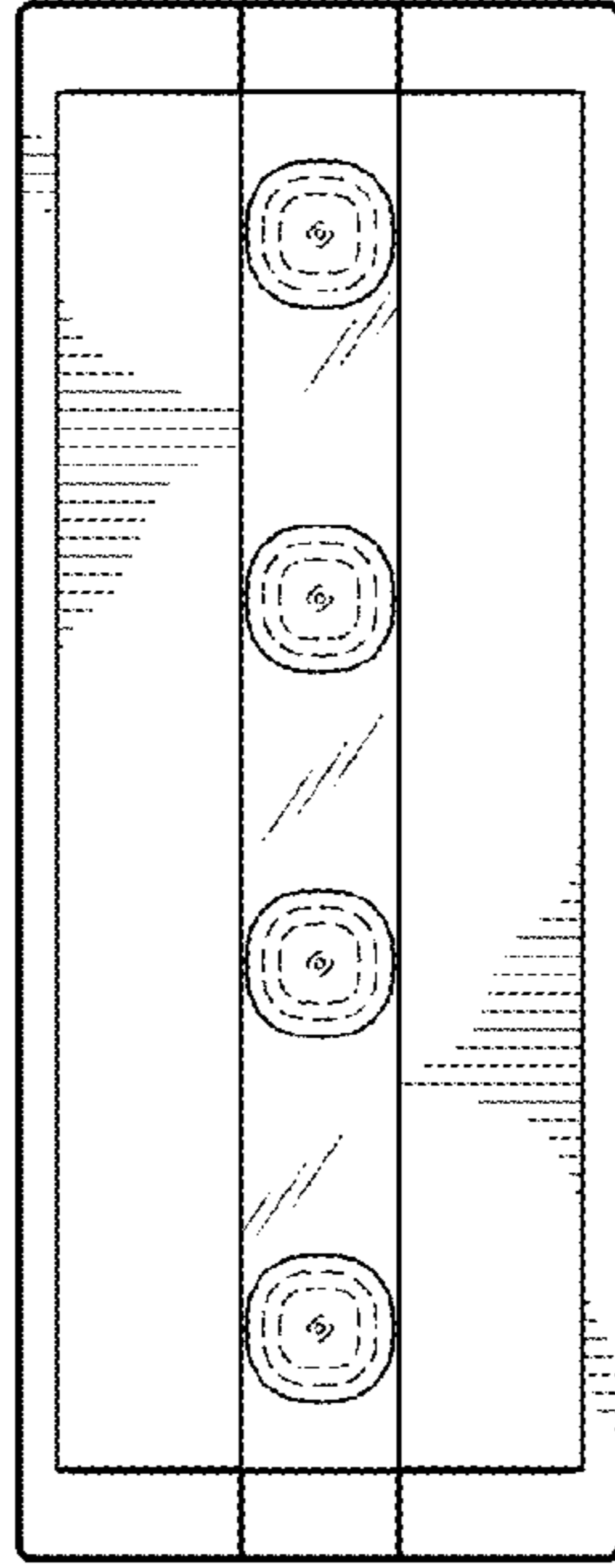


FIG. 1



FIG. 4

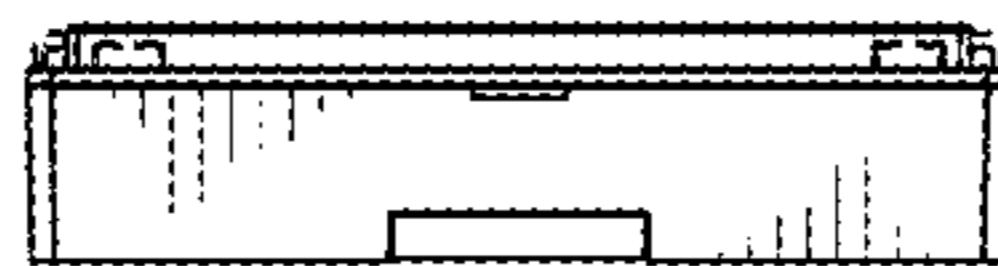


FIG. 3

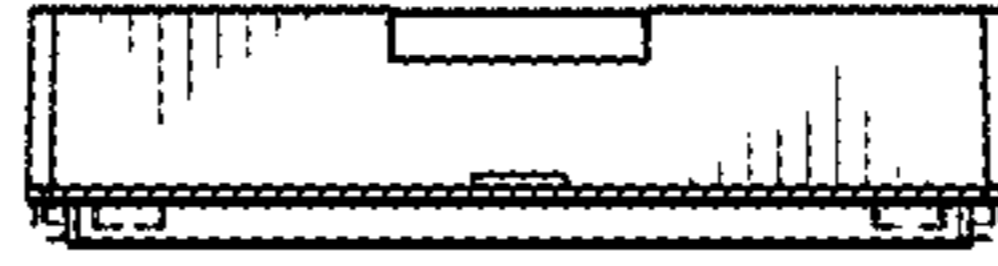


FIG. 5