



US00D788330S

(12) **United States Design Patent** (10) **Patent No.:** **US D788,330 S**
Johnson et al. (45) **Date of Patent:** **** May 30, 2017**

(54) **LED LAMP**

(71) Applicant: **Cree, Inc.**, Durham, NC (US)

(72) Inventors: **Jeremy Johnson**, Fuquay Varina, NC (US); **David Power**, Morrisville, NC (US); **Michael John Bergmann**, Raleigh, NC (US); **Bart P. Reier**, Cary, NC (US)

(73) Assignee: **Cree, Inc.**, Durham, NC (US)

(**) Term: **15 Years**

(21) Appl. No.: **29/543,802**

(22) Filed: **Oct. 28, 2015**

(51) **LOC (10) Cl.** **26-04**

(52) **U.S. Cl.**
USPC **D26/2**

(58) **Field of Classification Search**
USPC D26/1-4; 313/313, 315, 316, 317, 318, 313/493; 315/52, 53, 56, 57, 58
CPC F21K 9/13; F21K 9/135; F21K 9/1375; H01J 5/00; H01J 5/48; H01J 5/50; H01J 19/54
See application file for complete search history.

D631,569 S * 1/2011 Bobel D26/2
D664,274 S * 7/2012 de Visser D26/2
D741,509 S 10/2015 Negley et al.

OTHER PUBLICATIONS

U.S. Appl. No. 29/492,058, filed May 28, 2014.
U.S. Appl. No. 29/513,980, filed Jan. 7, 2015.

* cited by examiner

Primary Examiner — Marcus Jackson

(74) *Attorney, Agent, or Firm* — Dennis J. Williamson; Moore & Van Allen PLLC

(57) **CLAIM**

We claim the ornamental design for a LED lamp, as shown and described.

DESCRIPTION

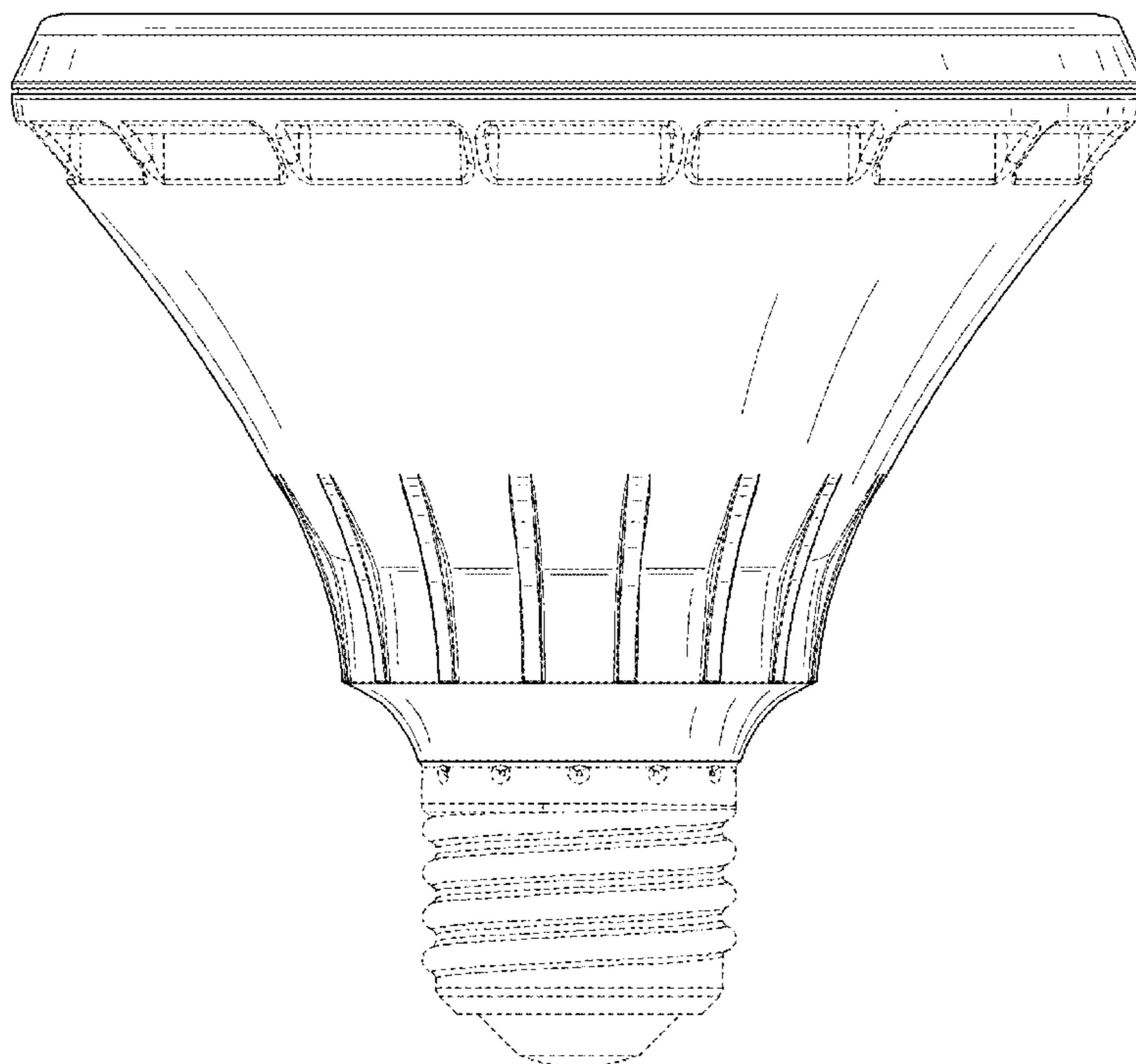
FIG. 1 is a front view showing an embodiment of our new design for a LED lamp;
FIG. 2 is a right side view of the LED lamp of FIG. 1;
FIG. 3 is a left side view of the LED lamp of FIG. 1;
FIG. 4 is a back view of the LED lamp of FIG. 1;
FIG. 5 is a first perspective view of the LED lamp of FIG. 1;
FIG. 6 is a bottom view of the LED lamp of FIG. 1;
FIG. 7 is a second perspective view of the LED lamp of FIG. 1; and,
FIG. 8 is a top view of the LED lamp of FIG. 1.
The portions shown in broken lines are not part of the claimed design but show the environment in which the design is associated.

(56) **References Cited**

U.S. PATENT DOCUMENTS

D610,274 S * 2/2010 Cho D26/2
D610,722 S * 2/2010 Bi D26/2
D623,777 S * 9/2010 Moon D26/2

1 Claim, 8 Drawing Sheets



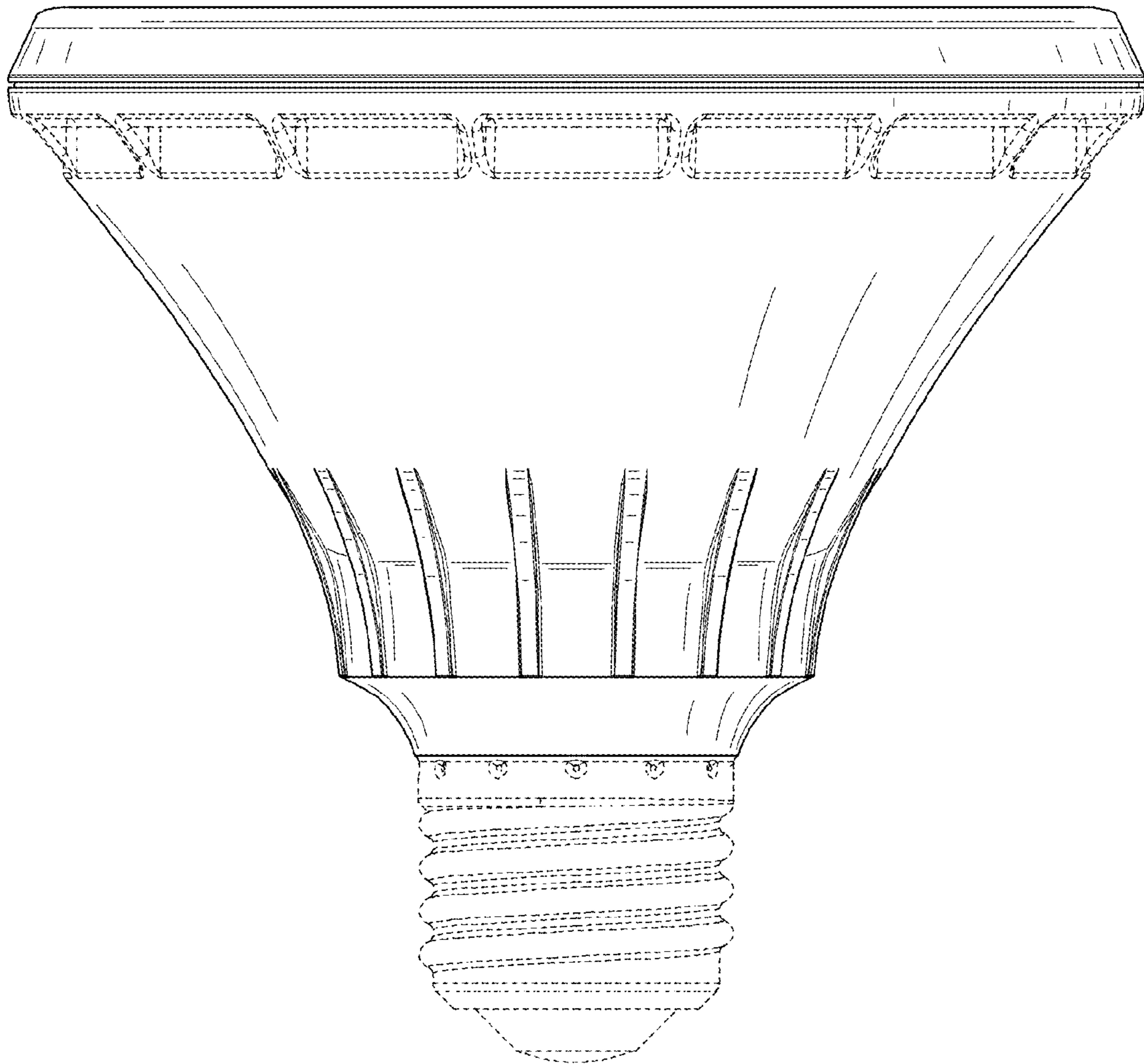


FIG. 1

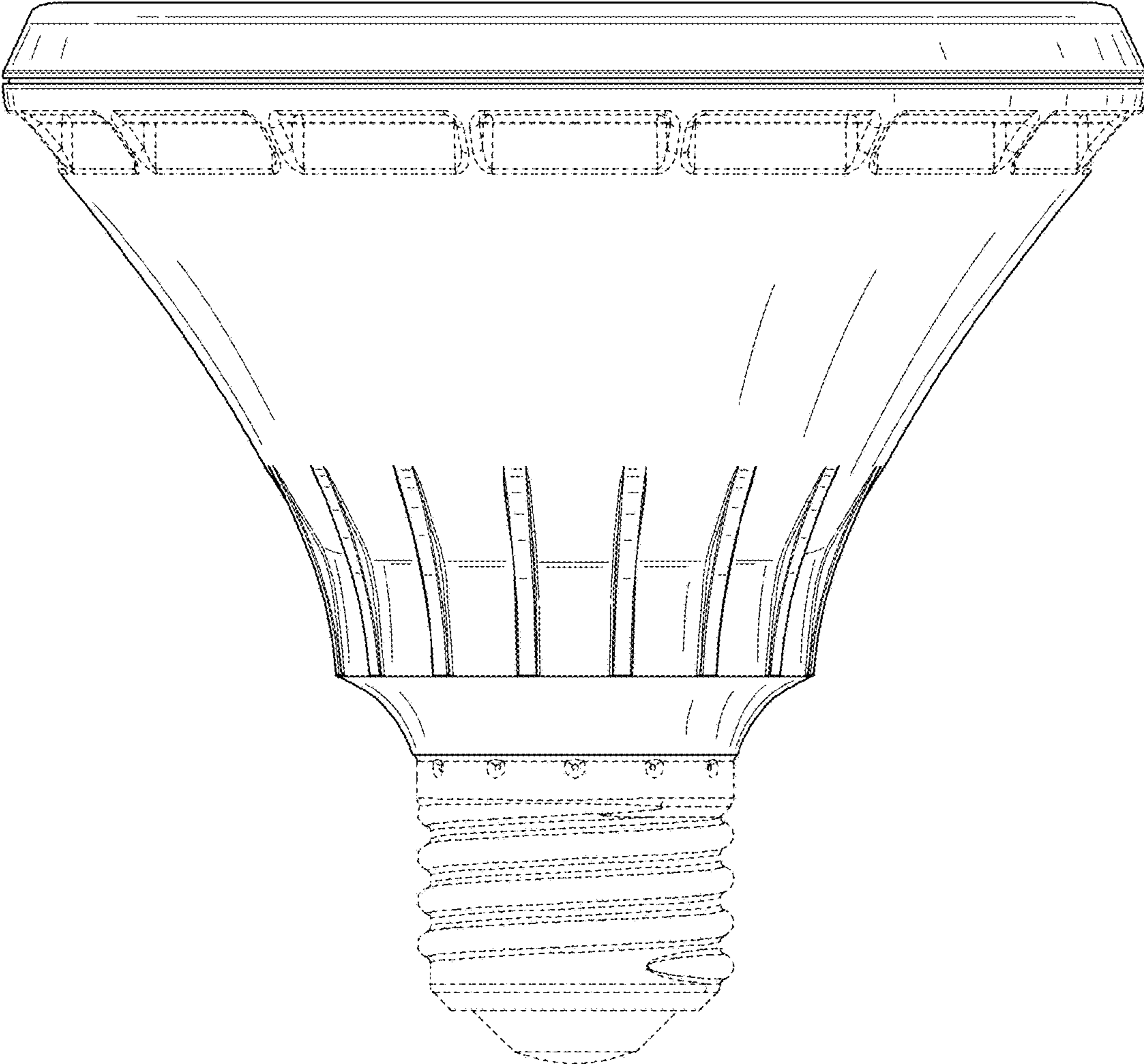


FIG. 2

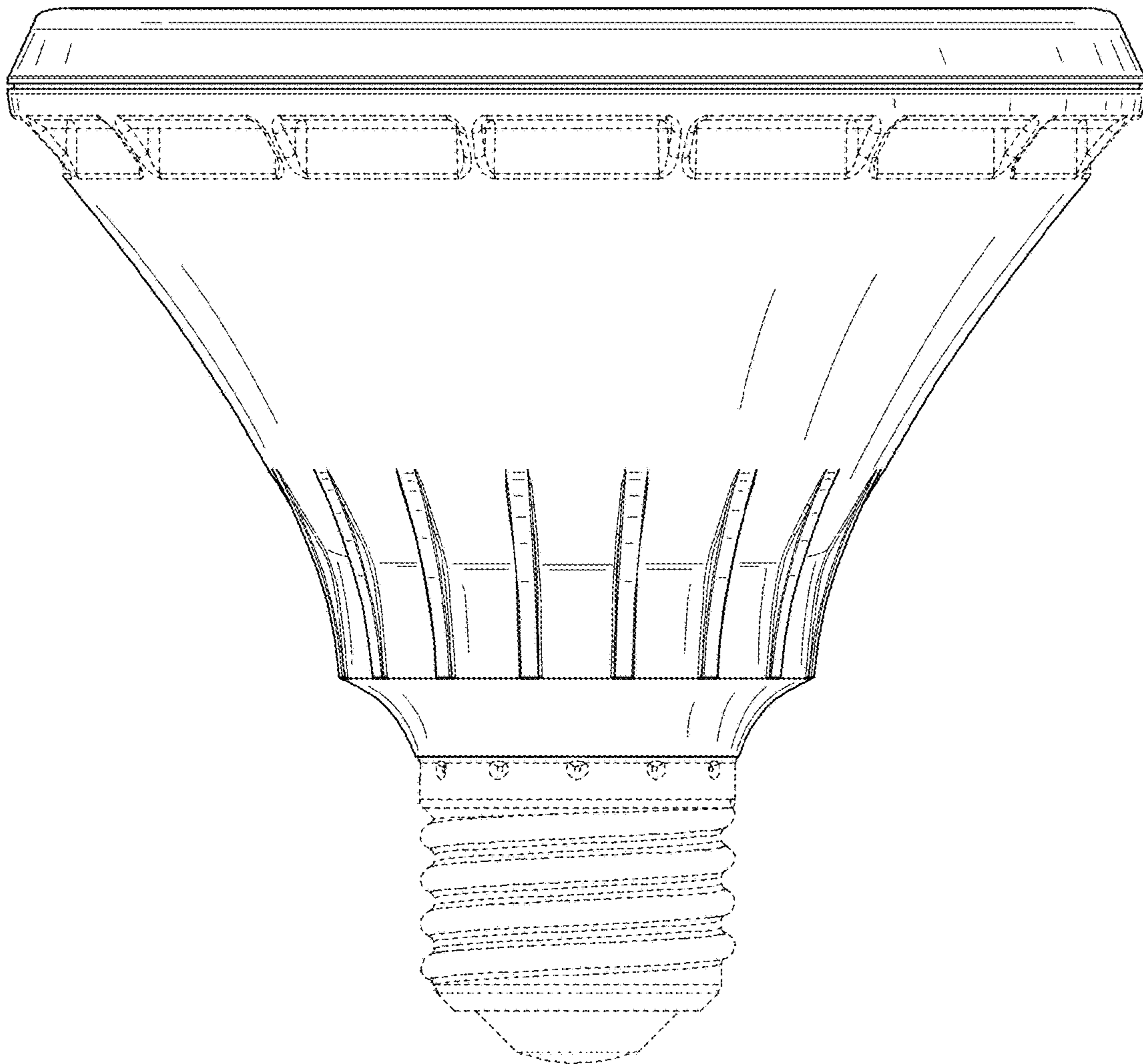


FIG. 3

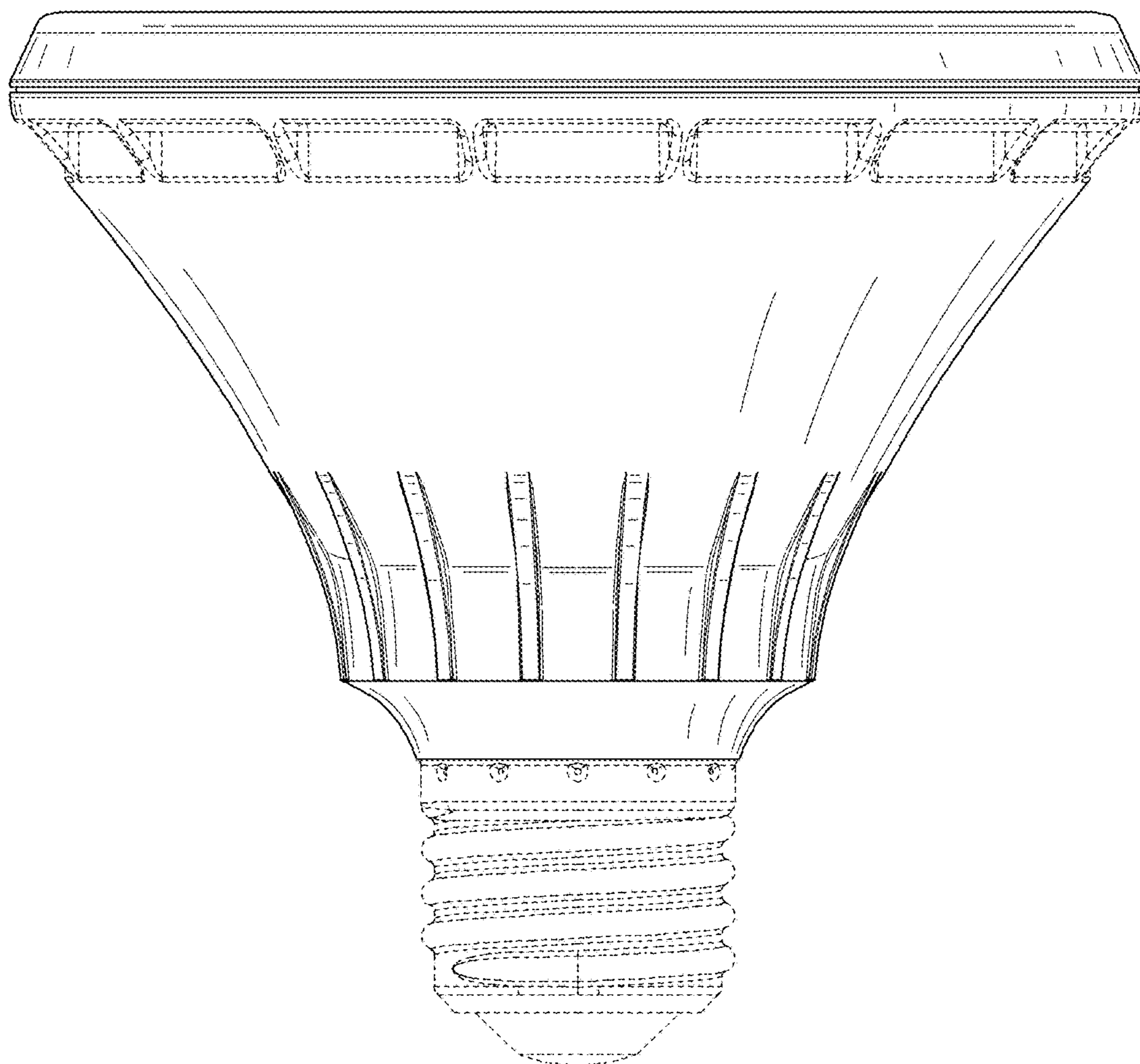


FIG. 4

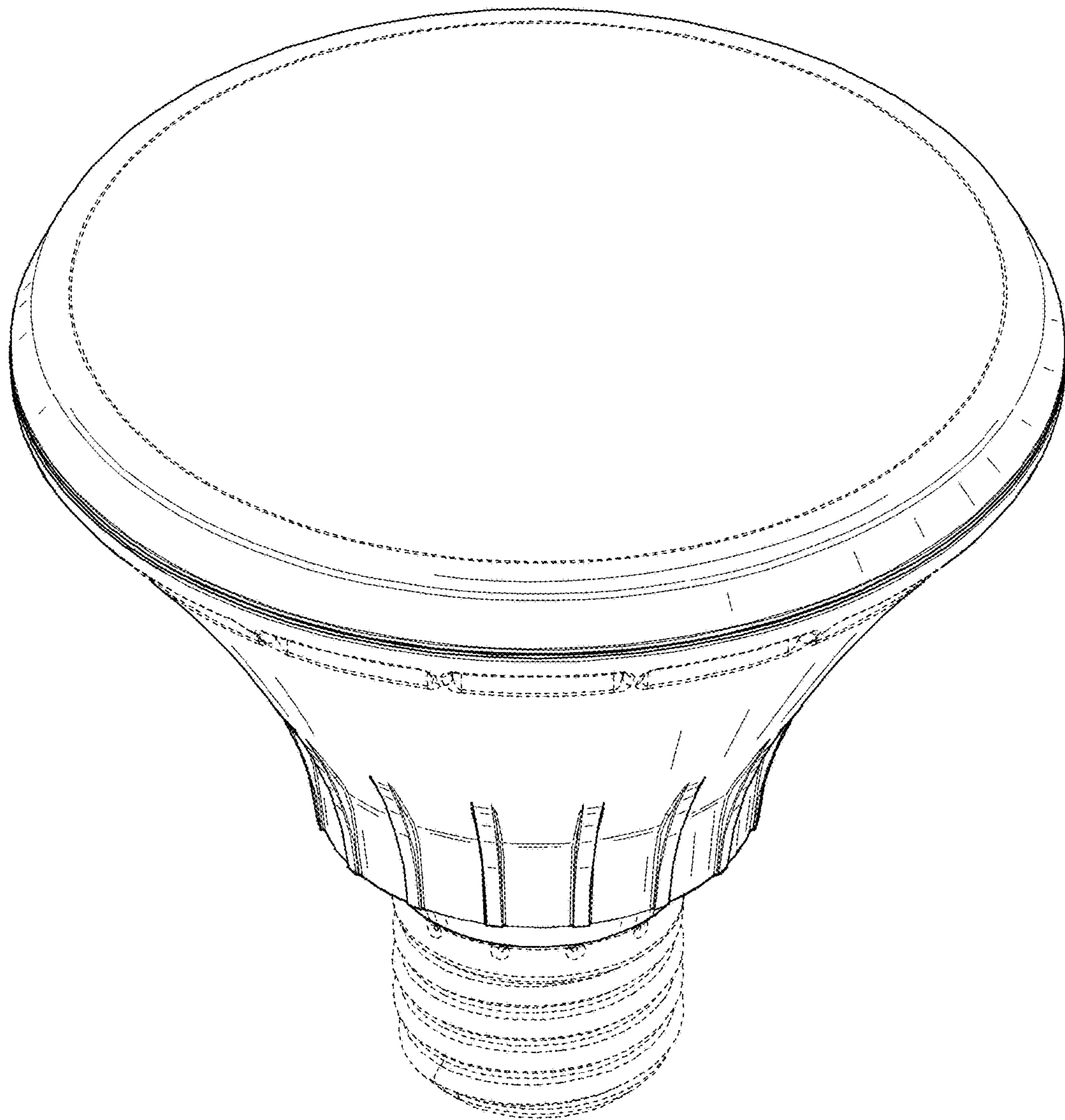


FIG. 5

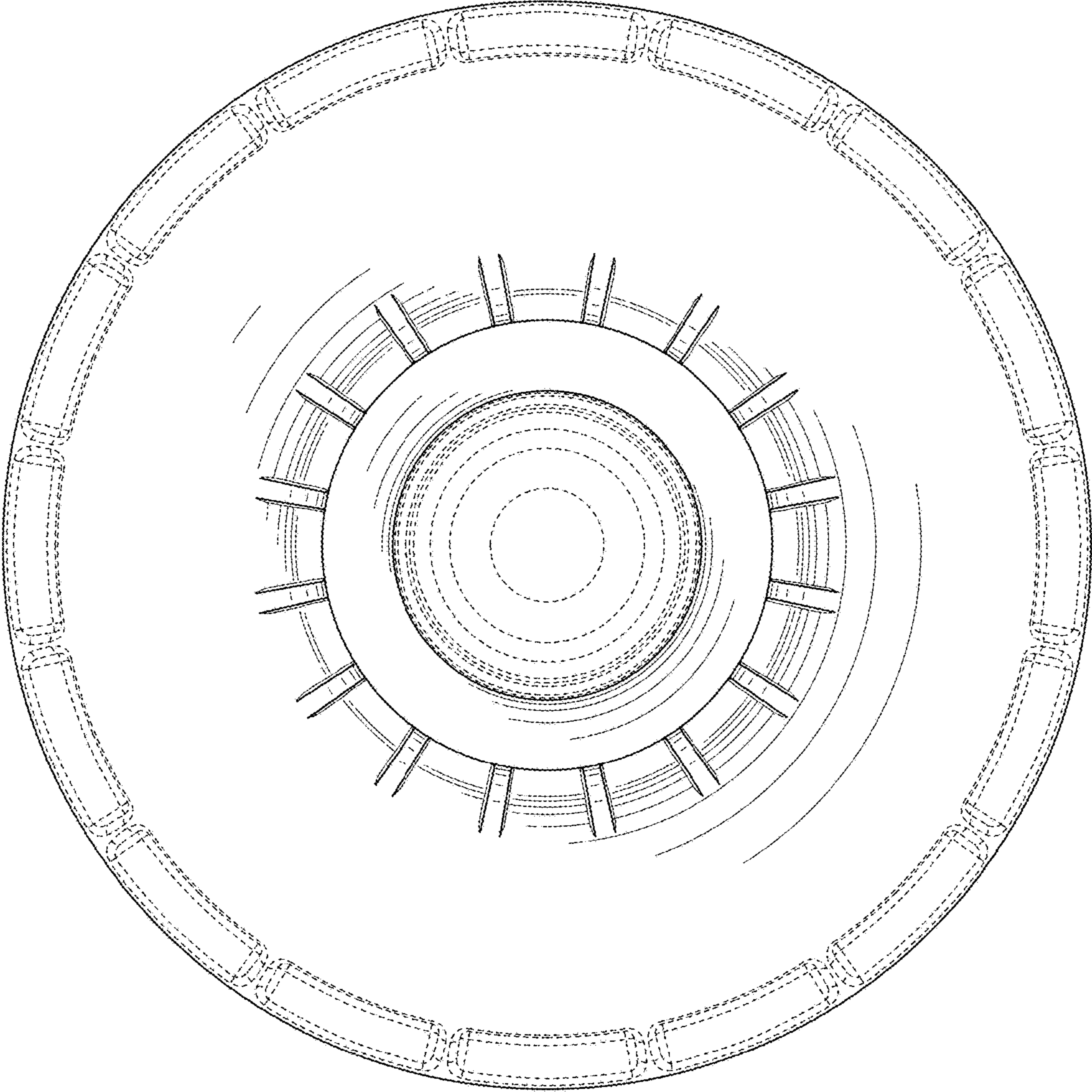


FIG. 6

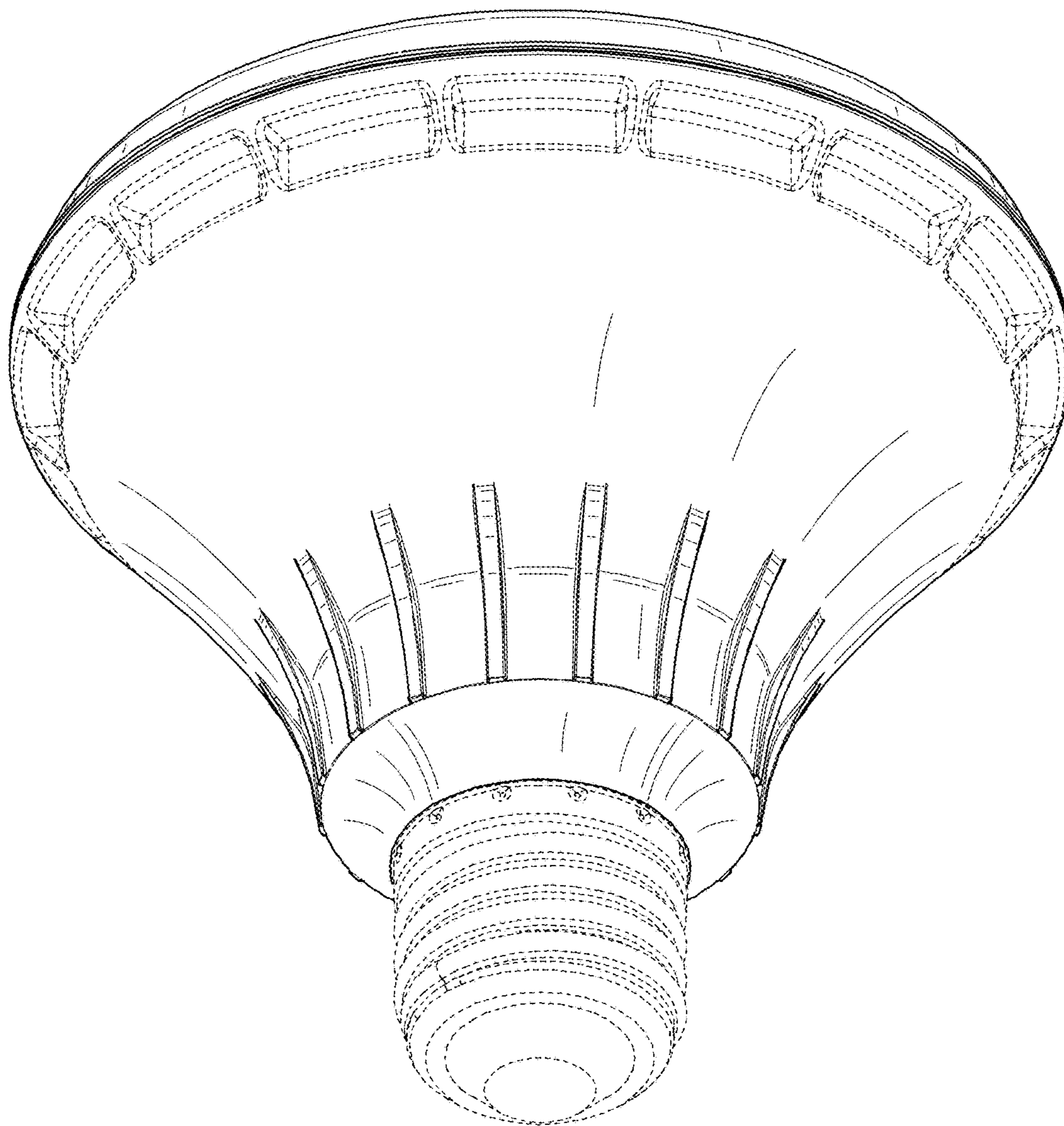


FIG. 7

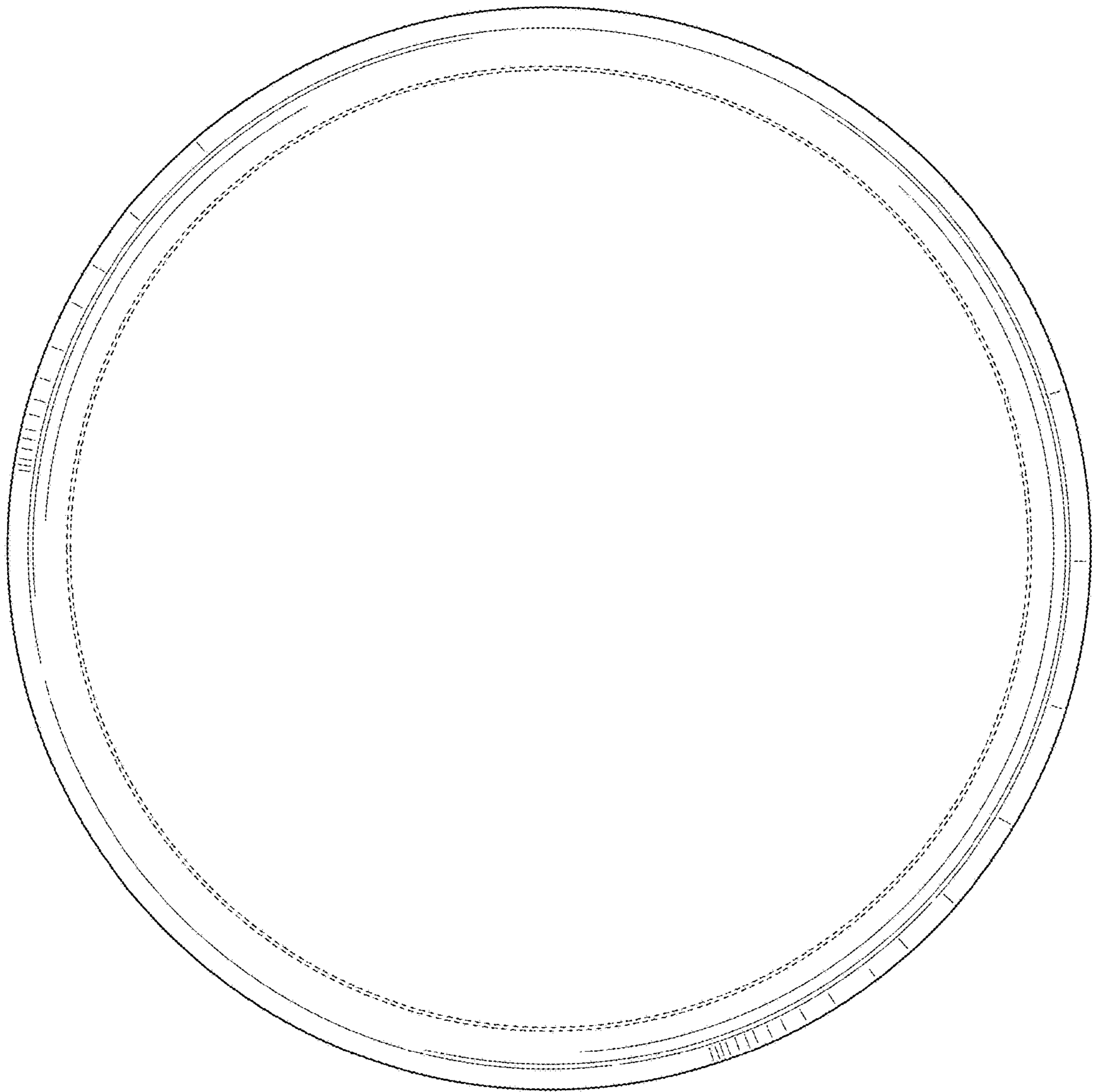


FIG. 8