



US00D788328S

(12) **United States Design Patent**  
**Mittag**

(10) **Patent No.:** **US D788,328 S**

(45) **Date of Patent:** **\*\* May 30, 2017**

(54) **LADDER-MOUNTED BRACE**

(71) Applicant: **Frank Mittag**, Crosby, TX (US)

(72) Inventor: **Frank Mittag**, Crosby, TX (US)

(\*\*) Term: **15 Years**

(21) Appl. No.: **29/536,207**

(22) Filed: **Aug. 14, 2015**

(51) **LOC (10) Cl.** ..... **25-04**

(52) **U.S. Cl.**  
USPC ..... **D25/68; D8/373**

(58) **Field of Classification Search**  
USPC ..... D8/16, 19, 349, 354, 355, 363, 364,  
D8/370-373, 376, 380, 382, 384-386;  
D6/553, 550, 323; D23/223, 238, 252,  
D23/257; D11/208; D20/15, 41, 42;  
D12/416; D25/38.1, 39, 43, 68  
CPC . E06C 7/14; E06C 7/143; B64F 1/364; B44D  
3/14; B65G 1/0435; B65G 21/10; H01L  
21/4846; H01L 23/49805; H01L 24/05;  
H01L 24/95; H01L 2924/01322; H01L  
2933/0033; H01L 33/486  
See application file for complete search history.

(56) **References Cited**

**U.S. PATENT DOCUMENTS**

D58,112 S *	6/1921	Schaumburg	.....	248/94
D221,645 S *	8/1971	Lear	.....	D25/68
D327,002 S *	6/1992	Breen	.....	D8/373
D371,853 S *	7/1996	Grampo	.....	D25/68
D392,747 S *	3/1998	Ferland	.....	D25/68
D418,612 S *	1/2000	Deutsch	.....	D25/68

D443,700 S *	6/2001	Rooney	.....	D25/68
D523,156 S *	6/2006	Skaggs	.....	D25/68
D715,458 S *	10/2014	Collins	.....	D25/68
D733,325 S *	6/2015	Robinson, Jr.	.....	D25/68
D757,302 S *	5/2016	Copp	.....	D25/68
2006/0196999 A1 *	9/2006	Owens	.....	E06C 7/143 248/210

\* cited by examiner

*Primary Examiner* — Robert M Spear

*Assistant Examiner* — Eliza Bennett-Hattan

(57) **CLAIM**

The ornamental design for a ladder-mounted brace, as shown and described.

**DESCRIPTION**

FIG. 1 is a perspective view of a ladder-mounted brace according to the present application.

FIG. 2 is a bottom view of the ladder-mounted brace of FIG. 1.

FIG. 3 is a top view of the ladder-mounted brace of FIG. 1.

FIG. 4 is a right view of the ladder-mounted brace of FIG. 1.

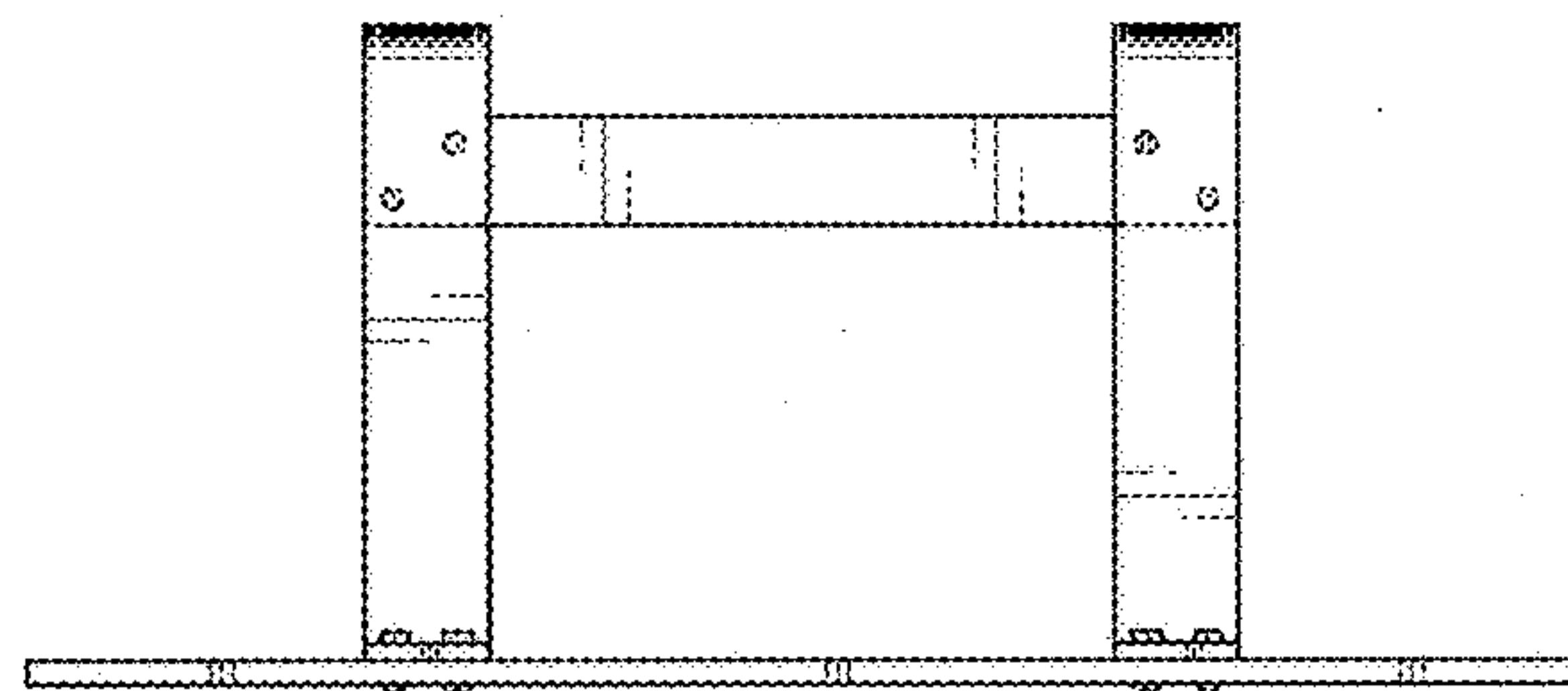
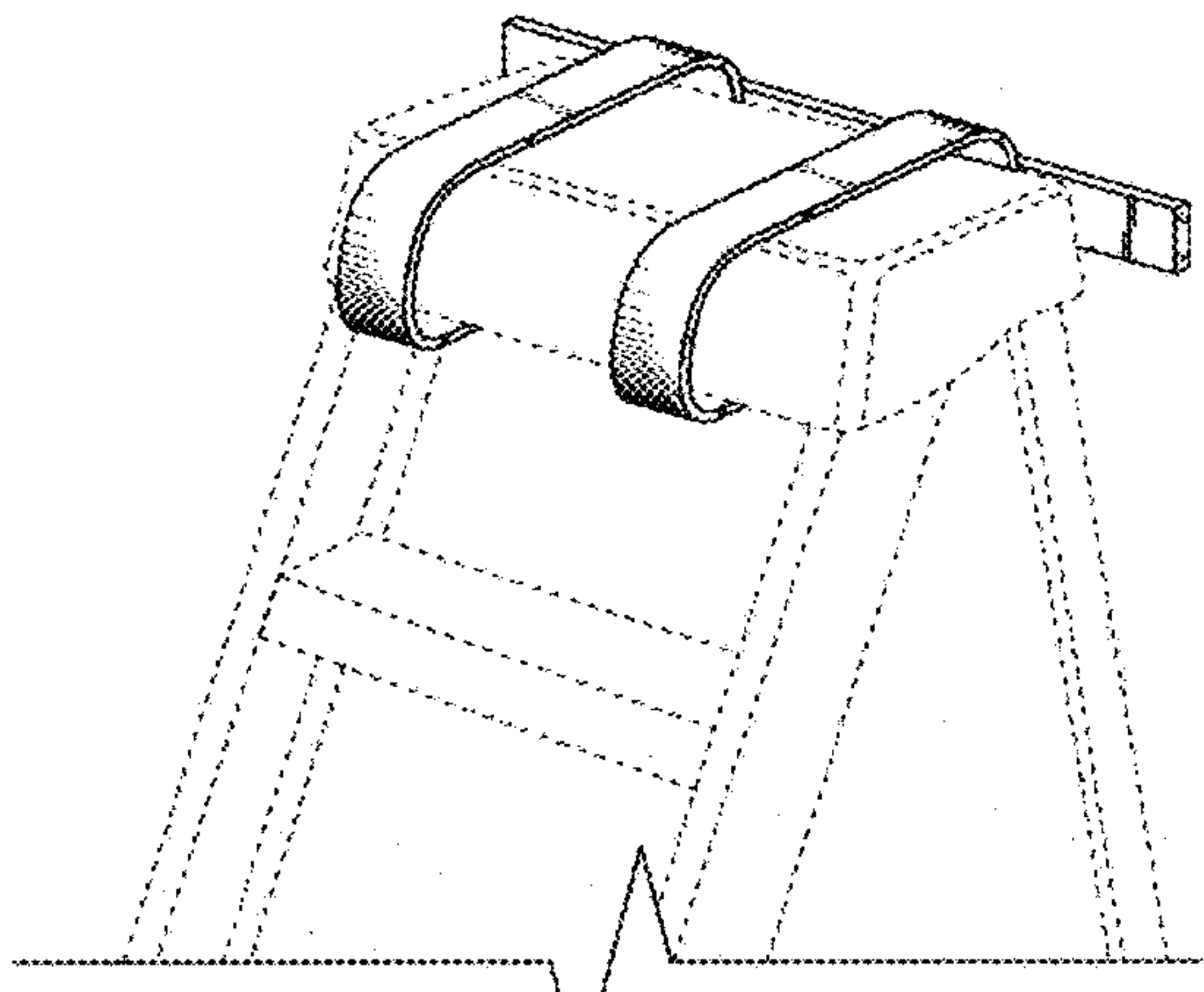
FIG. 5 is a left view of the ladder-mounted brace of FIG. 1.

FIG. 6 is a back view of the ladder-mounted brace of FIG. 1; and,

FIG. 7 is a front view of the ladder-mounted brace of FIG. 1.

The broken lines are included for the purpose of illustrating environmental structure and form no part of the claimed design.

**1 Claim, 4 Drawing Sheets**



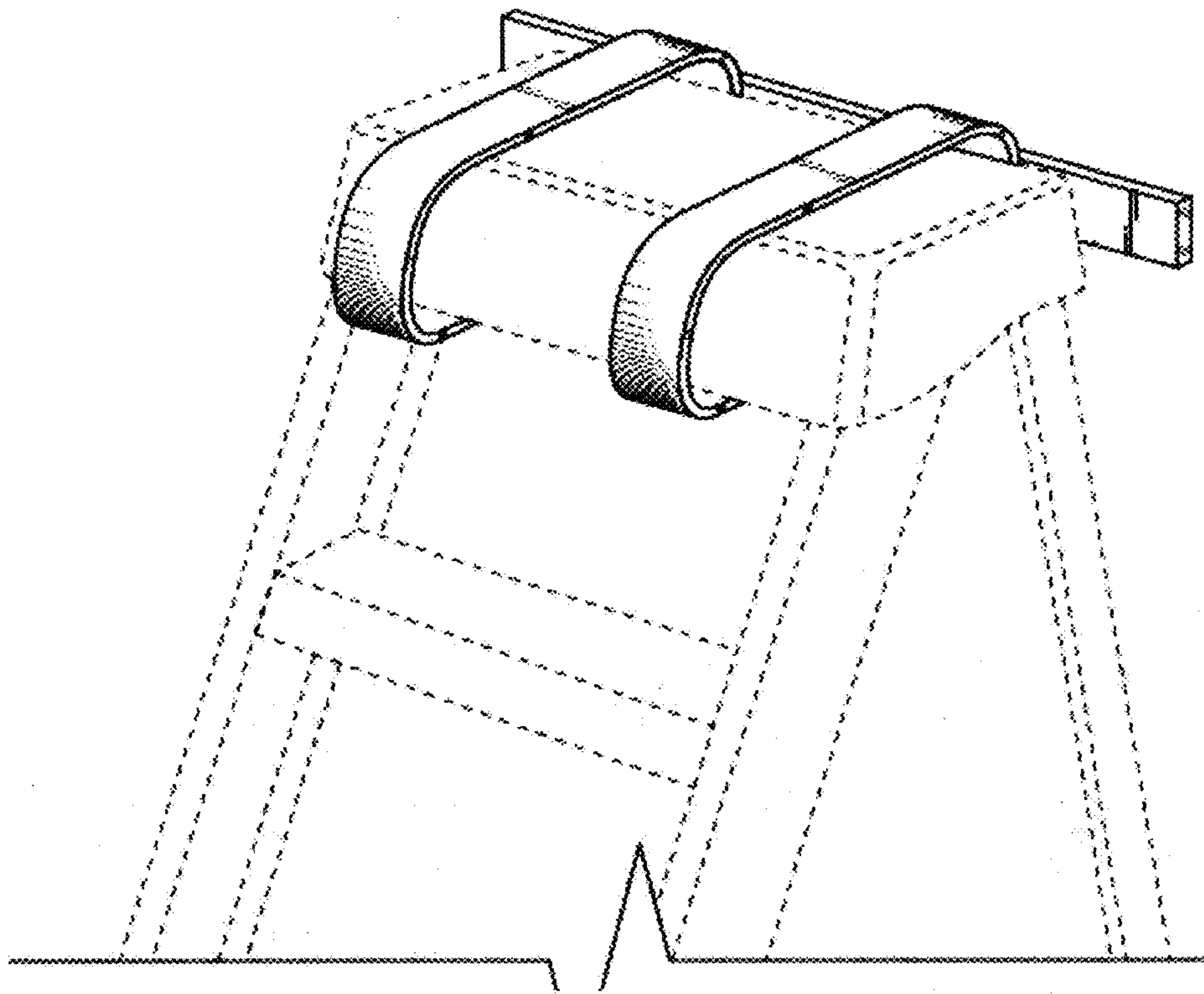


FIG. 1

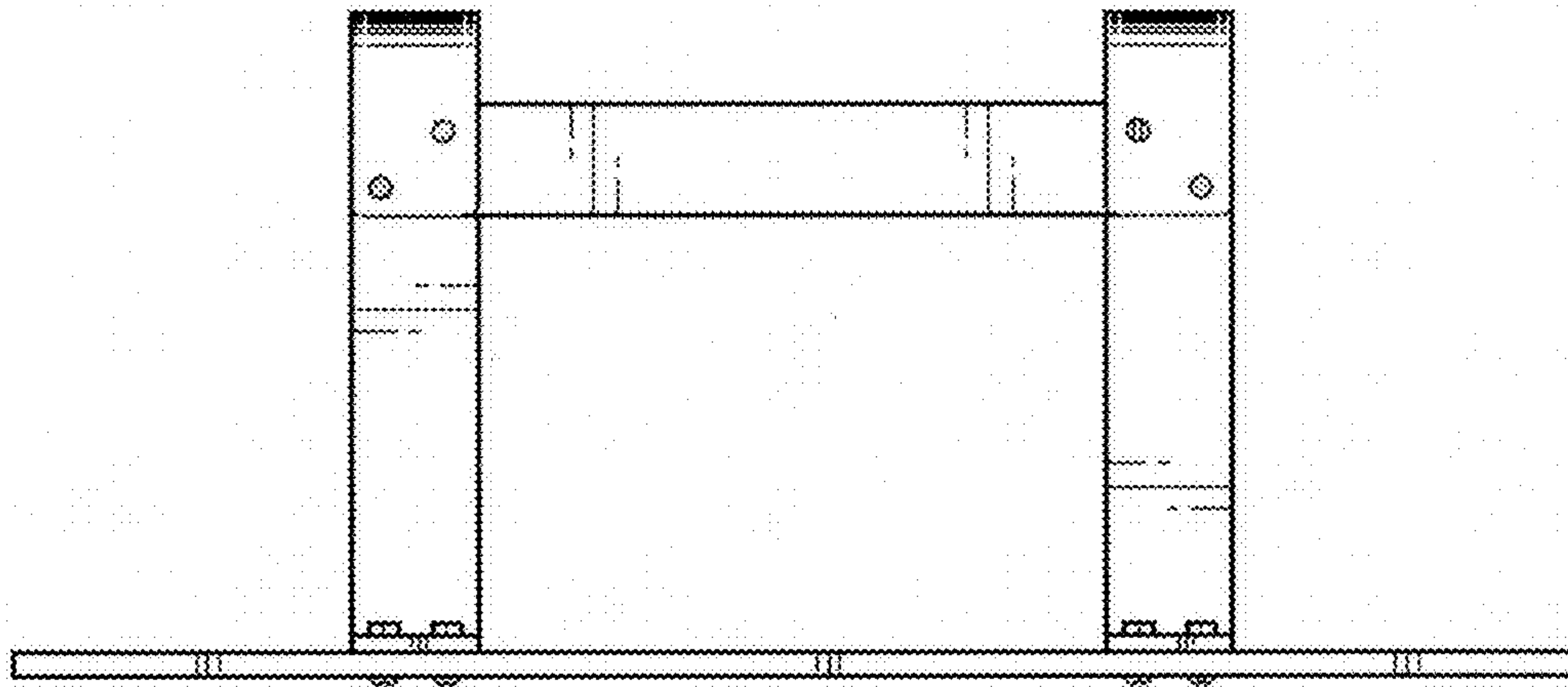


FIG. 2

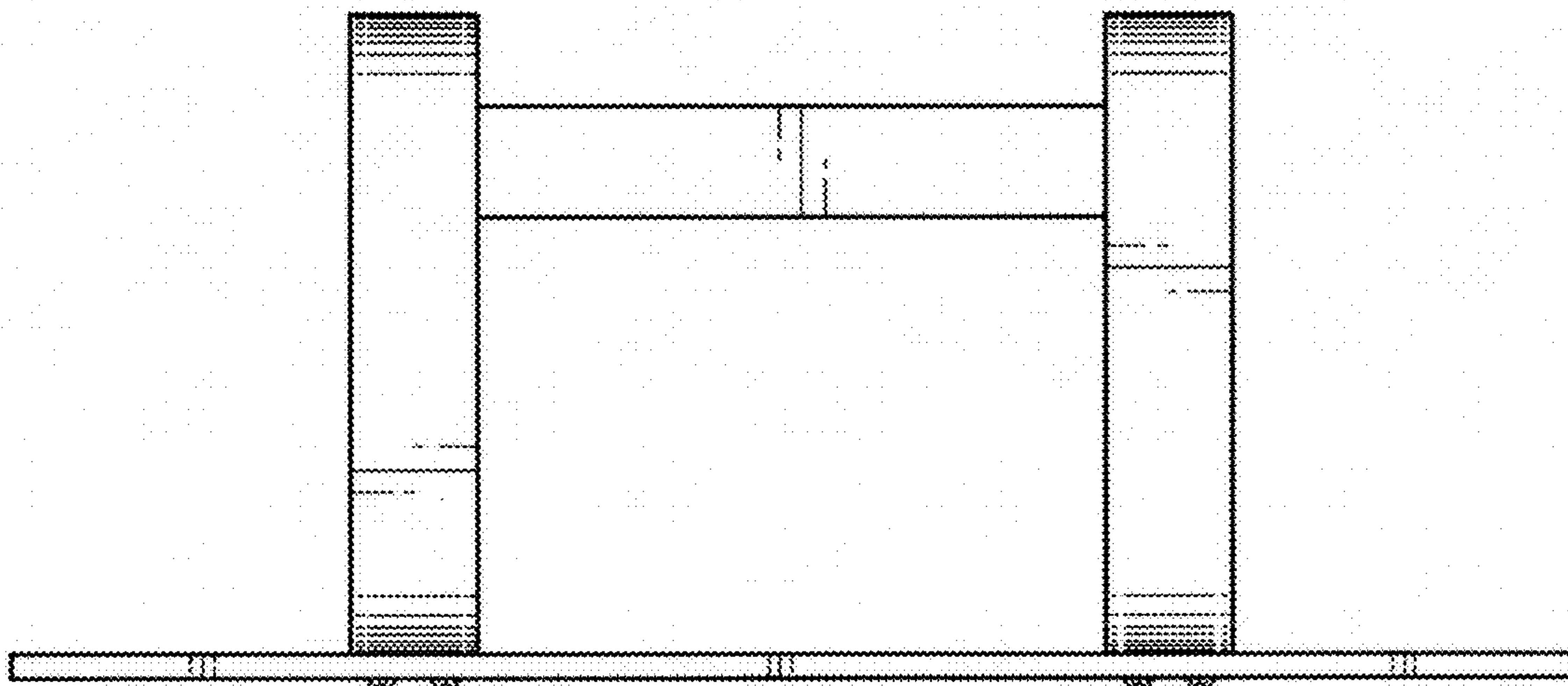


FIG. 3

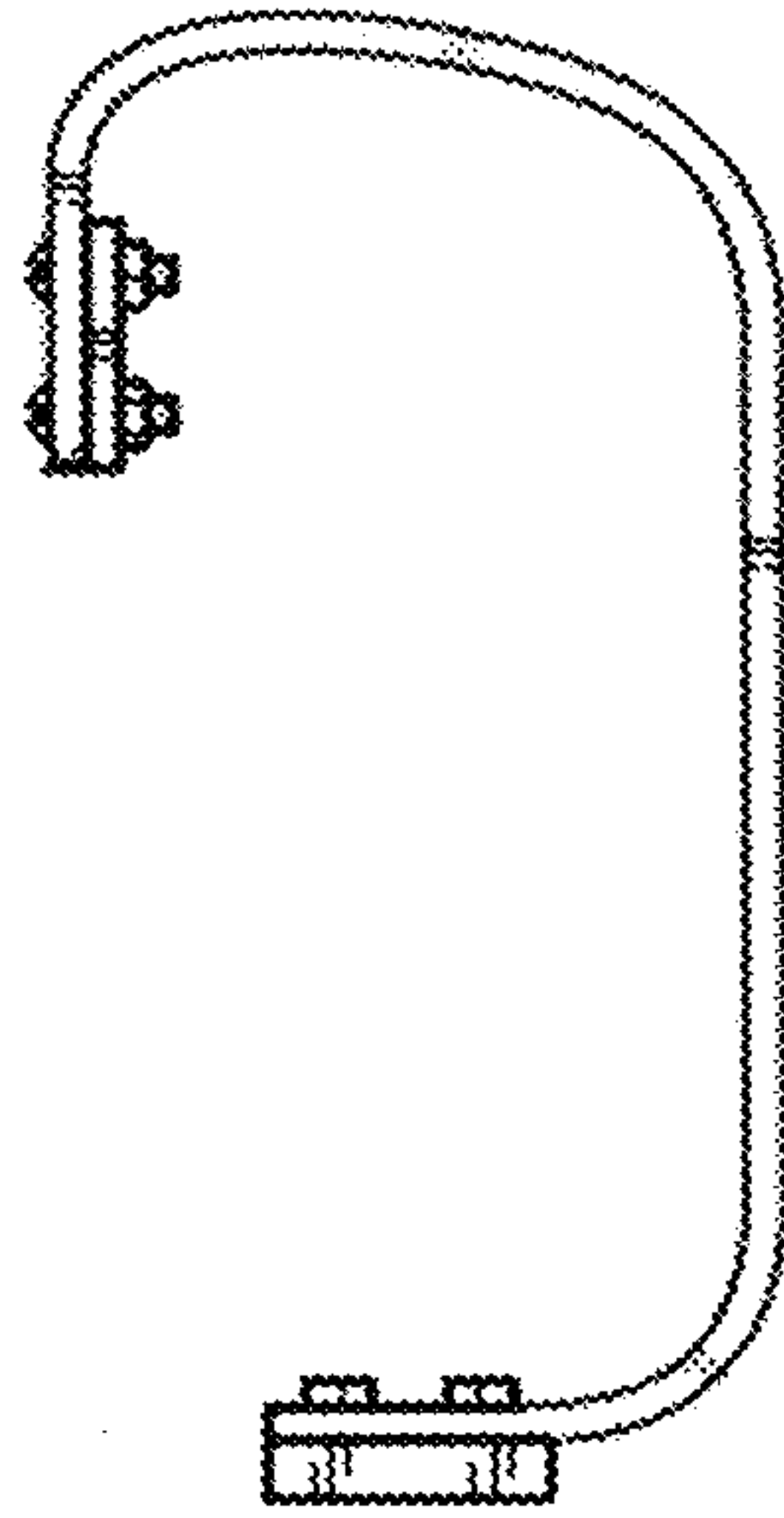


FIG. 4

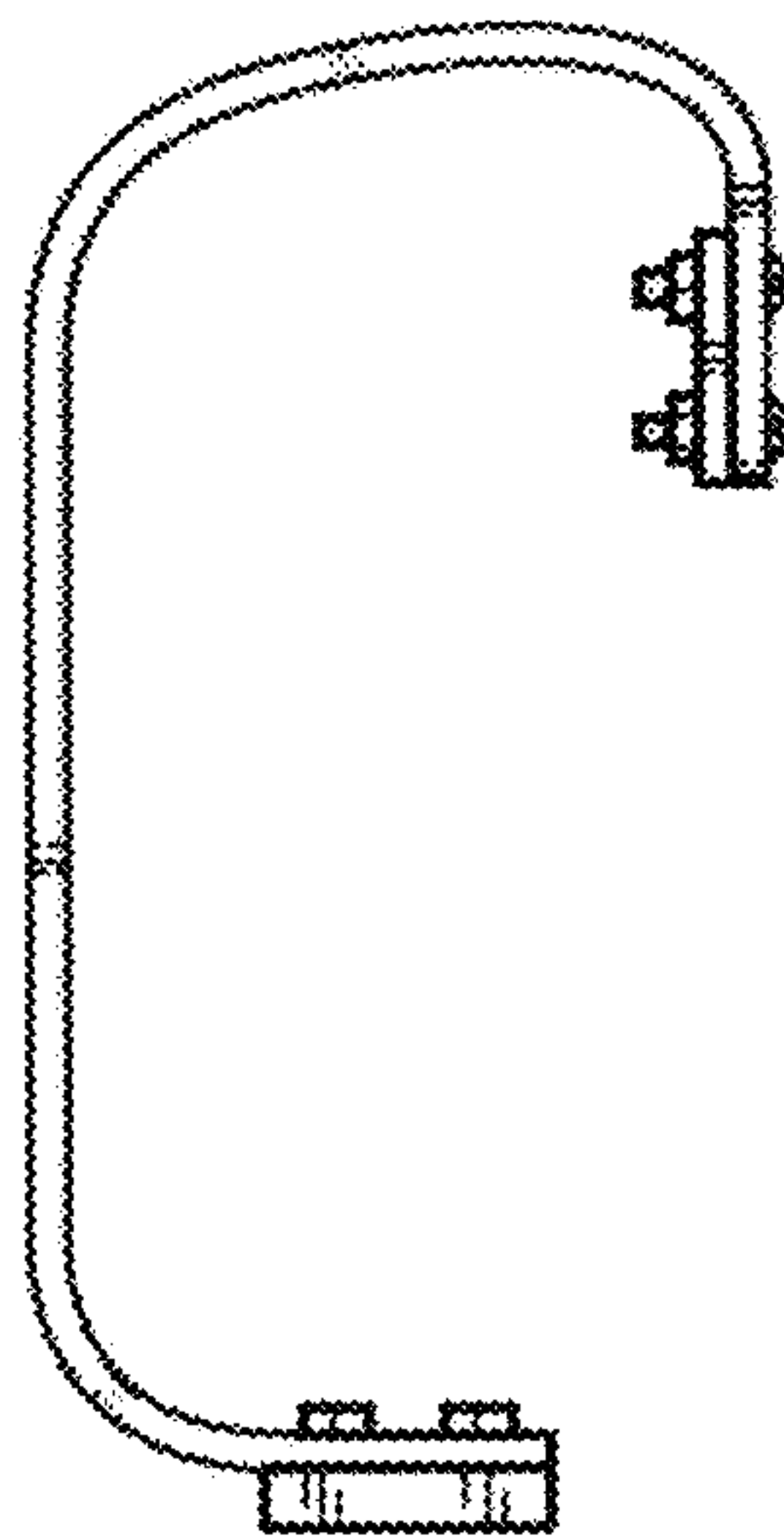


FIG. 5

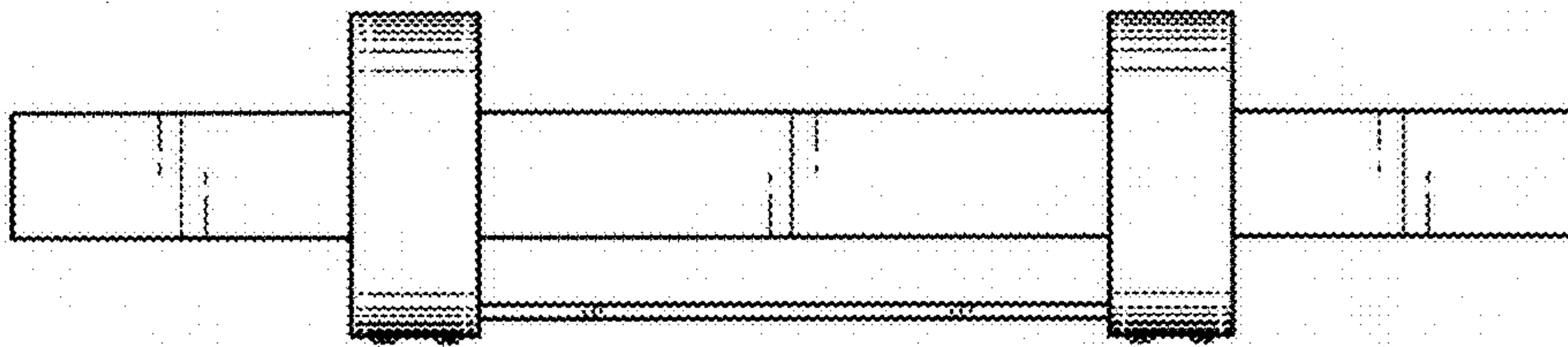


FIG. 6

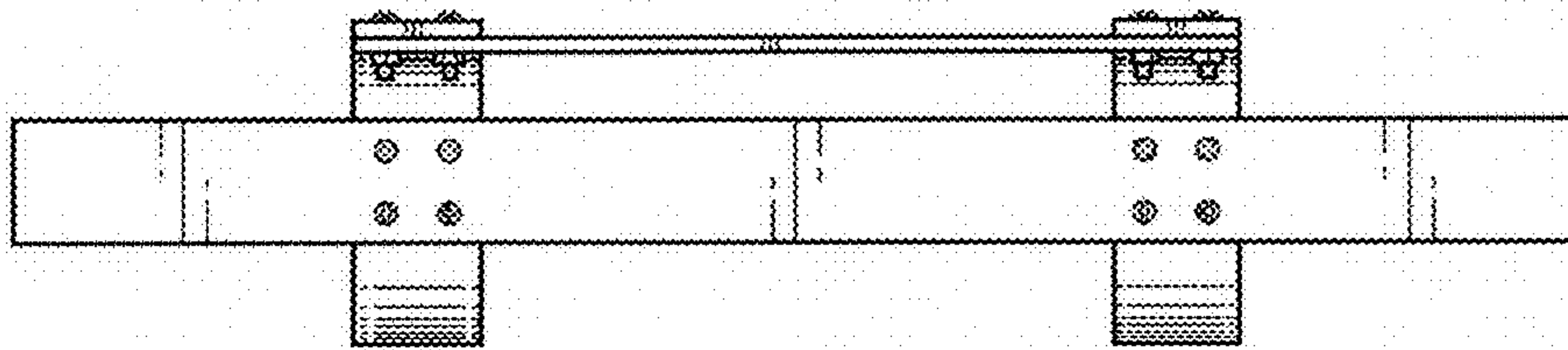


FIG. 7