



US00D788327S

(12) **United States Design Patent** (10) **Patent No.:** **US D788,327 S**
Click et al. (45) **Date of Patent:** **** May 30, 2017**

(54) **LADDER** 4,716,988 A * 1/1988 Graffy E06C 7/08
 182/194
 (71) Applicant: **Transco Railway Products, Inc.,** 4,991,690 A * 2/1991 Woller E06C 1/34
 Chicago, IL (US) 182/178.2
 (72) Inventors: **Joseph M. Click,** Warren, OH (US); D498,542 S * 11/2004 Brushaber D25/64
David Cline, Canfield, OH (US) D512,783 S * 12/2005 Badillo D25/64
 8,381,877 B1 * 2/2013 Freund E06C 1/10
 182/116
 (73) Assignee: **Transco Railway Products, Inc.,** D759,840 S * 6/2016 Grovender D25/64
 Chicago, IL (US) D759,841 S * 6/2016 Badillo D25/64
 2011/0315478 A1 * 12/2011 Foster, Sr. E06C 1/10
 182/129

(**) Term: **15 Years**

(21) Appl. No.: **29/561,219**

(22) Filed: **Apr. 14, 2016**

(51) **LOC (10) Cl.** **25-04**

(52) **U.S. Cl.**
USPC **D25/64**

(58) **Field of Classification Search**
USPC D25/62-69; 182/115, 194, 180.1, 129,
182/156, 165, 106, 159, 116, 161, 21-26,
182/162, 152, 220, 120, 245, 2.11, 151,
182/107, 67.4, 157, 230, 172, 93, 178.2,
182/200, 206, 179.1, 101, 102, 64.1,
182/228.1, 66.1, 65.1
CPC E06C 1/393; E06C 1/18
See application file for complete search history.

(56) **References Cited**

U.S. PATENT DOCUMENTS

D276,467 S * 11/1984 Singer D25/64
 4,492,286 A * 1/1985 Lemire E06C 5/02
 182/127

* cited by examiner

Primary Examiner — Cynthia Ramirez

Assistant Examiner — Gino Colan

(74) *Attorney, Agent, or Firm* — Nixon Peabody LLP

(57) **CLAIM**

The ornamental design for a ladder, as shown and described.

DESCRIPTION

FIG. 1 is a perspective view of a ladder, showing our new design;

FIG. 2 is a right-side elevation view thereof;

FIG. 3 is a top plan view thereof;

FIG. 4 is a bottom plan view thereof;

FIG. 5 is a front elevational view thereof; and,

FIG. 6 is a rear elevational view thereof.

1 Claim, 2 Drawing Sheets

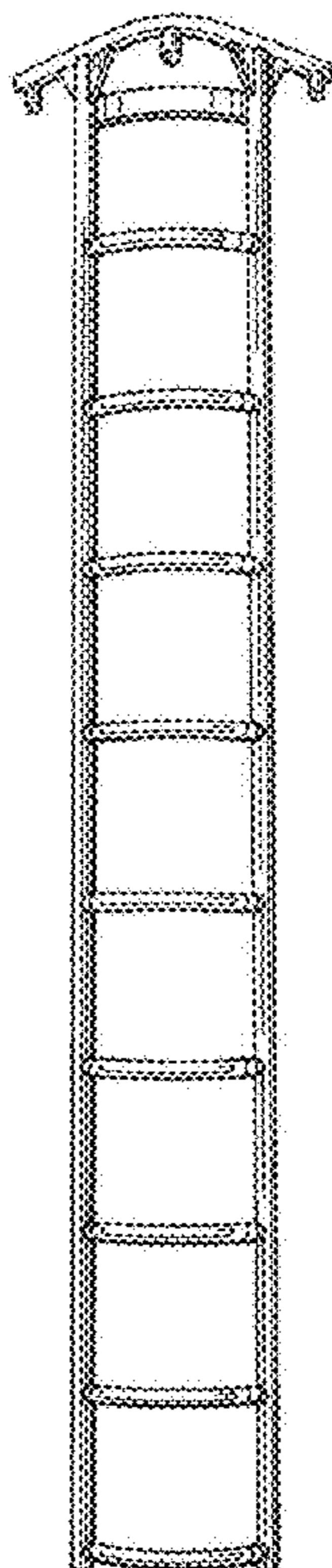


FIG. 1

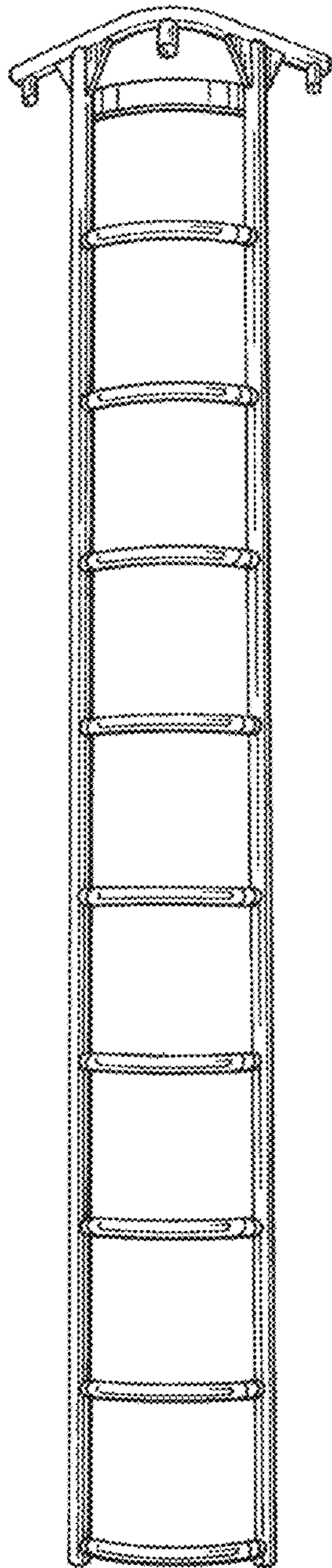


FIG. 2

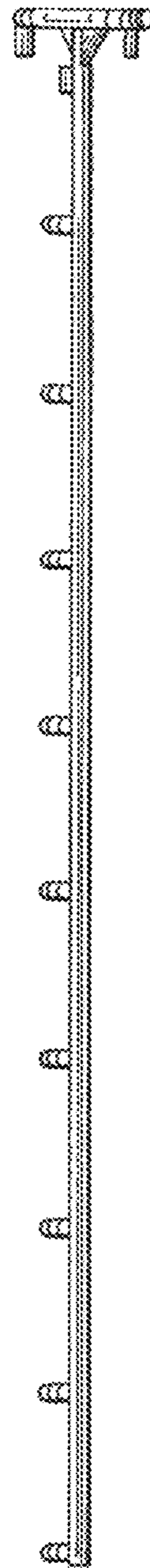


FIG. 3



FIG. 4



FIG. 5

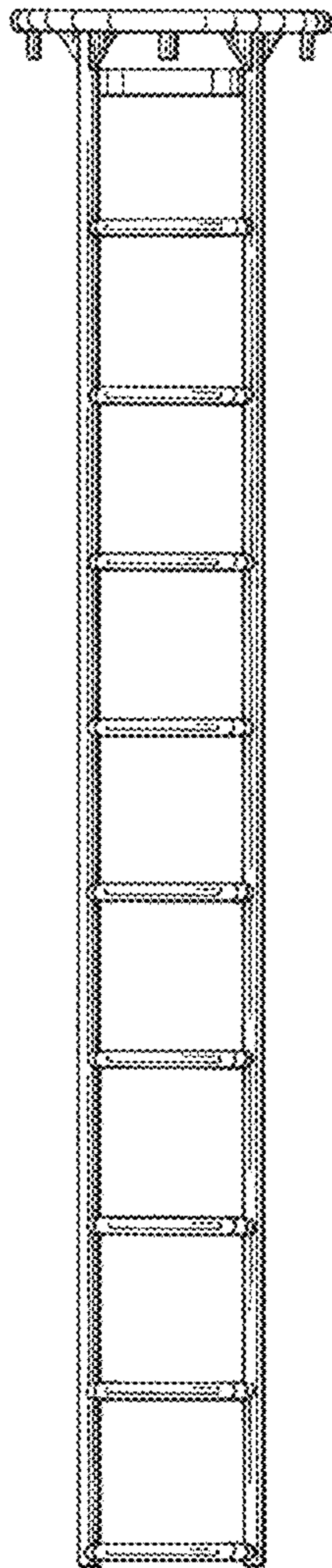


FIG. 6

