



US00D788326S

(12) **United States Design Patent** (10) **Patent No.:** **US D788,326 S**
Montalbano et al. (45) **Date of Patent:** **** May 30, 2017**

(54) **STUD SYSTEM**

(71) Applicant: **DuraBlis Solutions, Inc.**, Amityville, NY (US)
(72) Inventors: **Gregory Montalbano**, Huntington, NY (US); **Richard Petrillo**, Franklin Square, NY (US); **Ira Sumkin**, Amityville, NY (US); **Jaime Hernandez**, West Islip, NY (US); **William Glass**, Richmond Hill, GA (US)
(73) Assignee: **Durablis Solutions, Inc.**, Amityville, NY (US)

(**) Term: **14 Years**

(21) Appl. No.: **29/514,674**

(22) Filed: **Jan. 15, 2015**

(51) **LOC (10) Cl.** **25-01**

(52) **U.S. Cl.**
USPC **D25/61**

(58) **Field of Classification Search**
USPC D25/38.1, 43, 44, 55, 61, 119-128, 131, D25/164; 52/79.12, 91.3, 94, 223.7, 241,
(Continued)

(56) **References Cited**

U.S. PATENT DOCUMENTS

772,662 A * 10/1904 Klamm E04C 3/07
256/21
1,871,913 A * 8/1932 Patterson E04B 1/24
52/280

(Continued)

OTHER PUBLICATIONS

<http://www.durablis.com/solutions/full-panel-system/> Retrieved Jul. 12, 2016.*

Primary Examiner — Susan Bennett Hattan

Assistant Examiner — Leanne Was-Englehart

(74) *Attorney, Agent, or Firm* — Thomas A. O'Rourke; Bodner & O'Rourke, LLP

(57) **CLAIM**

The ornamental design for stud system, as shown and described.

DESCRIPTION

FIG. 1 is an end view of a stud of the stud system of the present invention.

FIG. 2 is an end view of the opposite end of the stud of FIG. 1.

FIG. 3 is a top view of the stud of FIG. 1.

FIG. 4 is a bottom view of the stud of FIG. 1.

FIG. 5 is a side view of the stud of FIG. 1.

FIG. 6 is a side view of the stud of FIG. 1 from the opposite side.

FIG. 7 is a perspective view of the stud of FIG. 1.

FIG. 8 is an end view of the box stud of the stud system of the present invention.

FIG. 9 is an end view of the opposite end of the box stud of FIG. 8.

FIG. 10 is a top view of the stud of FIG. 8.

FIG. 11 is a bottom view of the stud of FIG. 8.

FIG. 12 is a side view of the box stud of FIG. 8.

FIG. 13 is a side view of the opposite side of the box stud of FIG. 12.

FIG. 14 is a perspective view of the box stud of FIG. 8.

FIG. 15 is an end view of the track of the stud system of the present invention.

FIG. 16 is an end view of opposite end of the track of FIG. 15.

FIG. 17 is a top view of the track of FIG. 15.

FIG. 18 is an enlarged detail view of one end of the track of FIG. 17, as indicated by the dashed line circle and number "18" in FIG. 17.

FIG. 19 is a side view of the track of FIG. 15.

FIG. 20 is a side view of the opposite side of the side view of FIG. 15.

FIG. 21 is a perspective view of the track of FIG. 15.

FIG. 22 is an end view of the U-track of the stud system of the present invention.

FIG. 23 is an end view of the opposite end of the U-track of FIG. 22.

FIG. 24 is a top view of the U-track of FIG. 22.

(Continued)

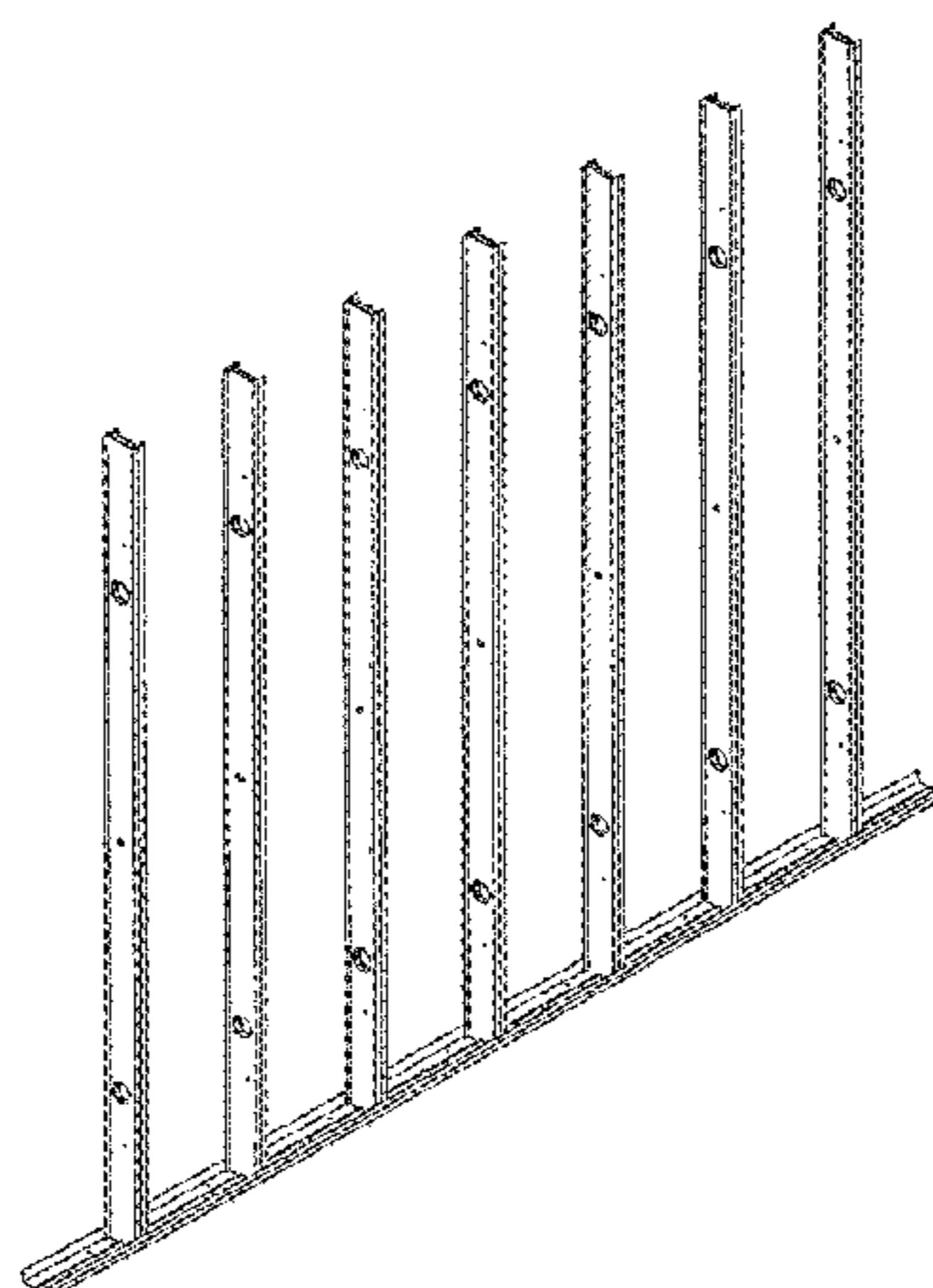


FIG. 25 is an enlarged detail view of one end of the U-track of FIG. 24, as indicated by the dashed line circle and number "25" in FIG. 24.

FIG. 26 is a side view of the U-track of FIG. 22.

FIG. 27 is a side view of the opposite side of the U-track of FIG. 26.

FIG. 28 is a perspective view of the U-track of FIG. 22.

FIG. 29 is a perspective view of the stud system of the present invention.

FIG. 30 is a front view of the stud system of FIG. 29.

FIG. 31 is a top view of the stud system of FIG. 29; and,

FIG. 32 is a back view of the stud system of FIG. 29.

The broken lines form no part of the claimed design.

1 Claim, 23 Drawing Sheets

(58) **Field of Classification Search**

USPC 52/270, 281, 282.1, 468, 481.1, 653.1,
52/656.9, 695, 696, 772, 775; 403/230;
446/123

CPC E04B 1/24; E04B 1/34315; E04B 2/00;
E04B 2/56; E04B 2/60; E04B 2/74; E04B
2/76; E04B 2/88; E04B 2/96; E04B
2/7407; E04B 2001/199; E04B
2001/1993; E04B 2001/3288

See application file for complete search history.

(56)

References Cited

U.S. PATENT DOCUMENTS

3,001,615	A *	9/1961	Ries	E04B 2/76 403/230
3,457,698	A *	7/1969	Teunis	E04B 1/24 52/223.7
3,522,933	A *	8/1970	Braun	E04F 11/181 256/22
3,717,964	A *	2/1973	Brown	E04B 1/24 52/236.9
D227,086	S *	6/1973	Johnson	52/695
3,955,799	A *	5/1976	Lauzier	E04F 11/181 256/21
3,974,608	A *	8/1976	Grearson	E04B 2/96 52/235
4,757,657	A *	7/1988	Mitchell	E04B 2/7409 403/12
6,892,504	B1 *	5/2005	diGirolamo	E04B 1/08 52/167.3
7,716,899	B2 *	5/2010	Beck	E04B 1/24 52/236.3
7,770,348	B2 *	8/2010	Tollenaar	E04B 2/767 52/241
8,769,908	B1 *	7/2014	Santini	E04C 2/38 446/123
D758,614	S *	6/2016	Lundell	D25/61

* cited by examiner

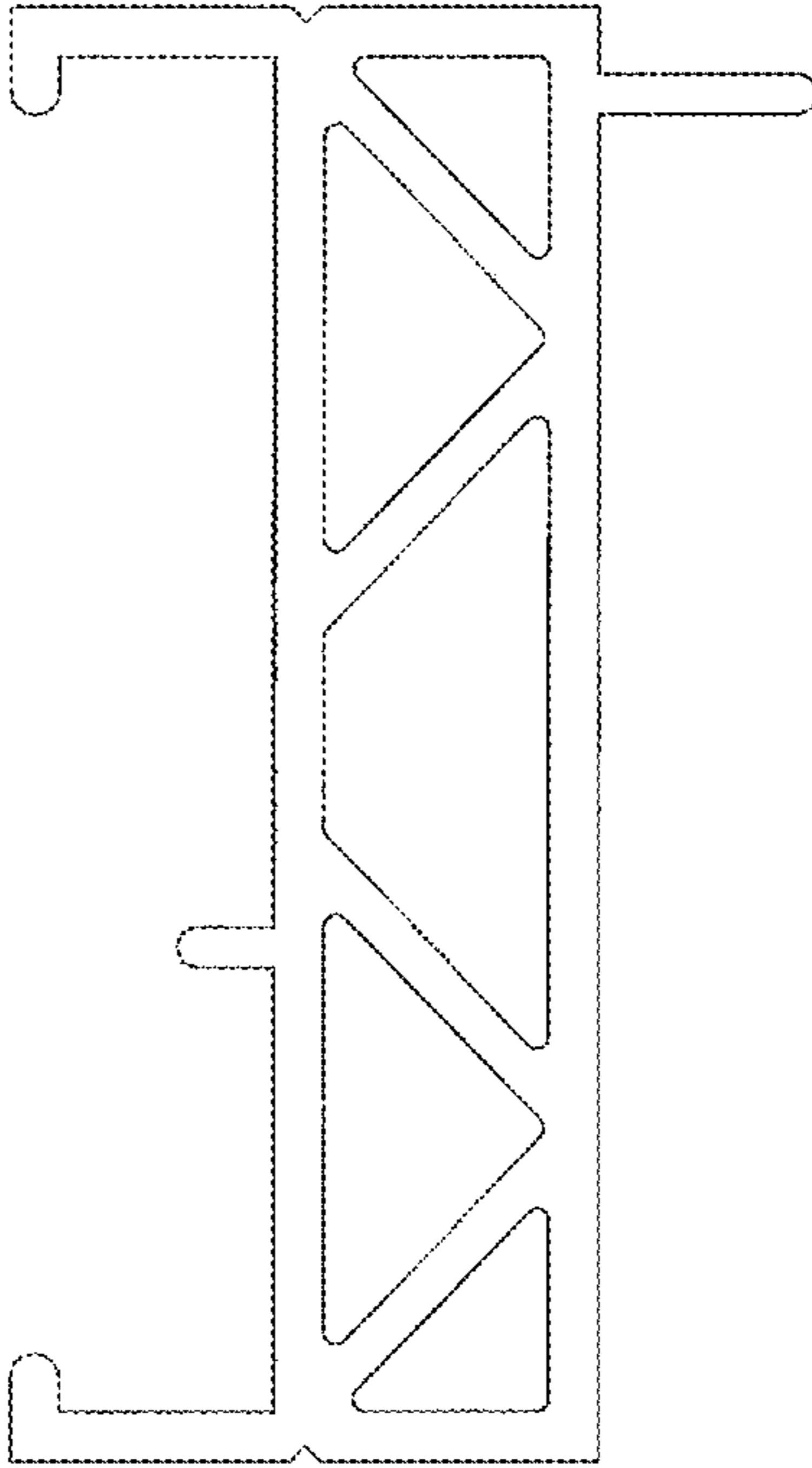


FIGURE 1

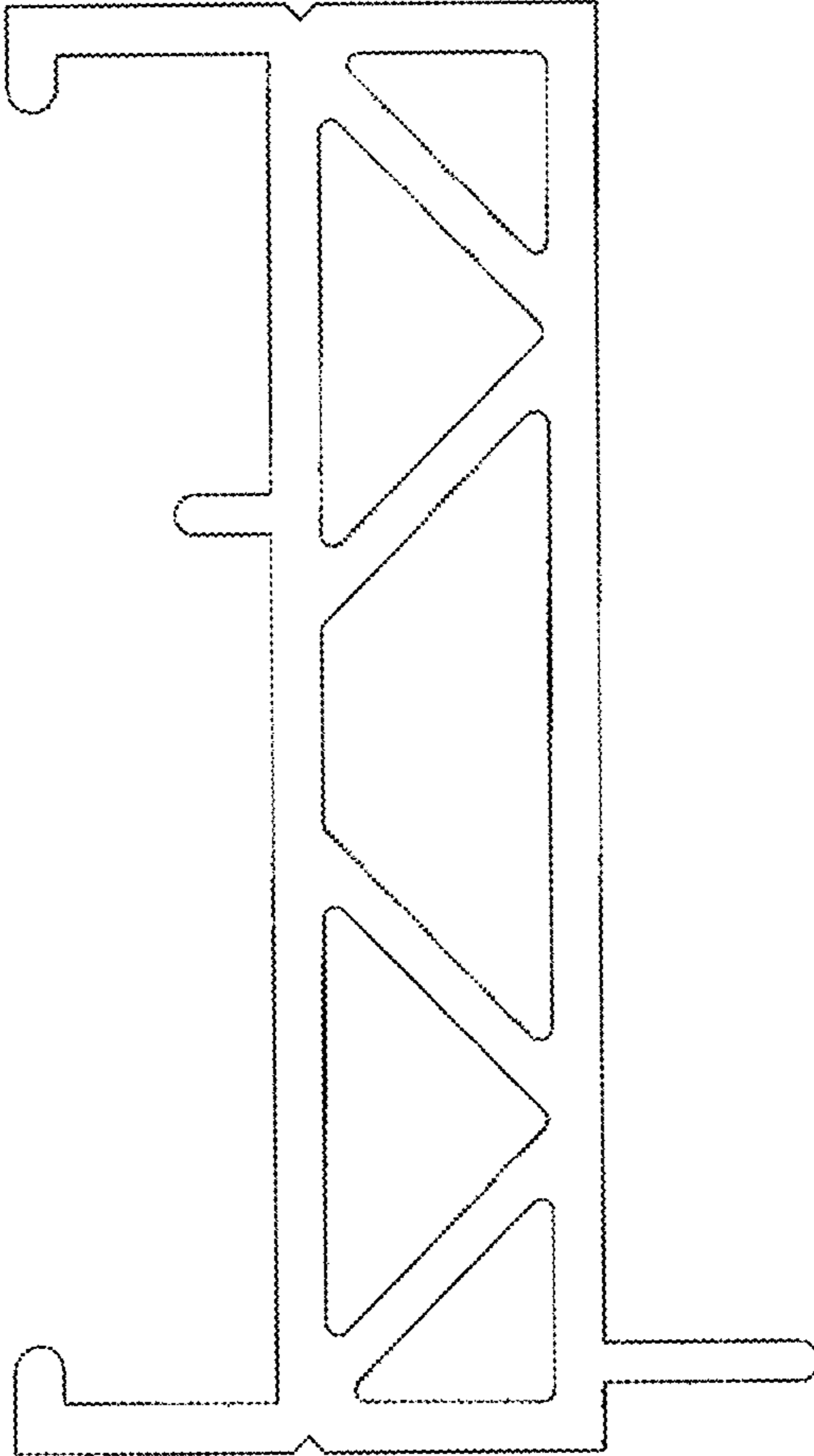


FIGURE 2

FIG. 3



FIG. 5



FIG. 4

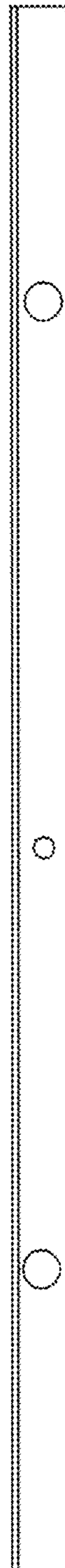
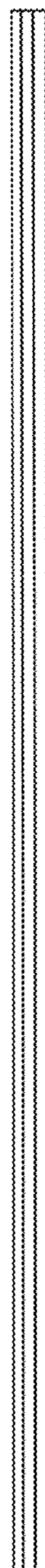


FIG. 6



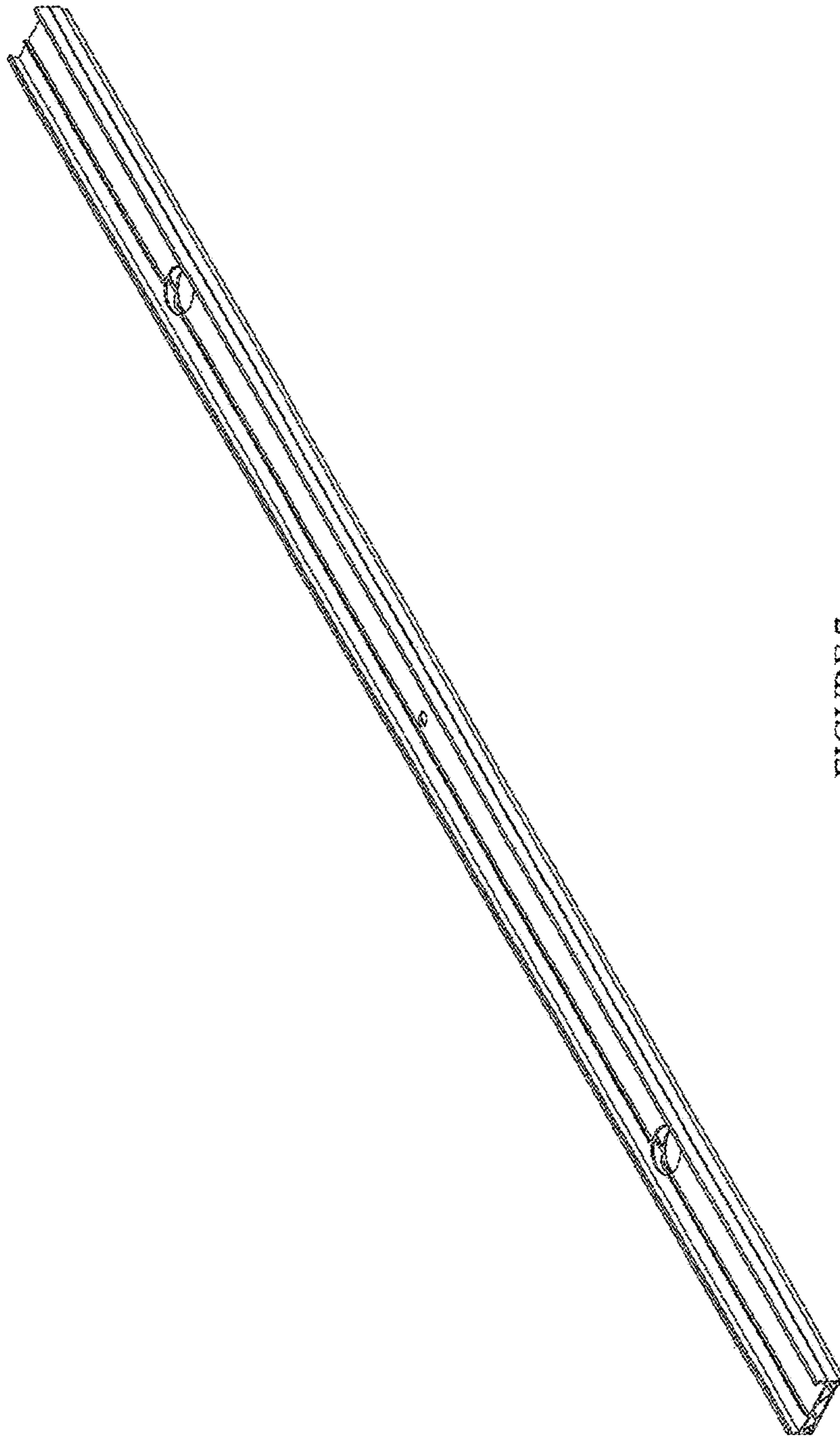


FIGURE 7

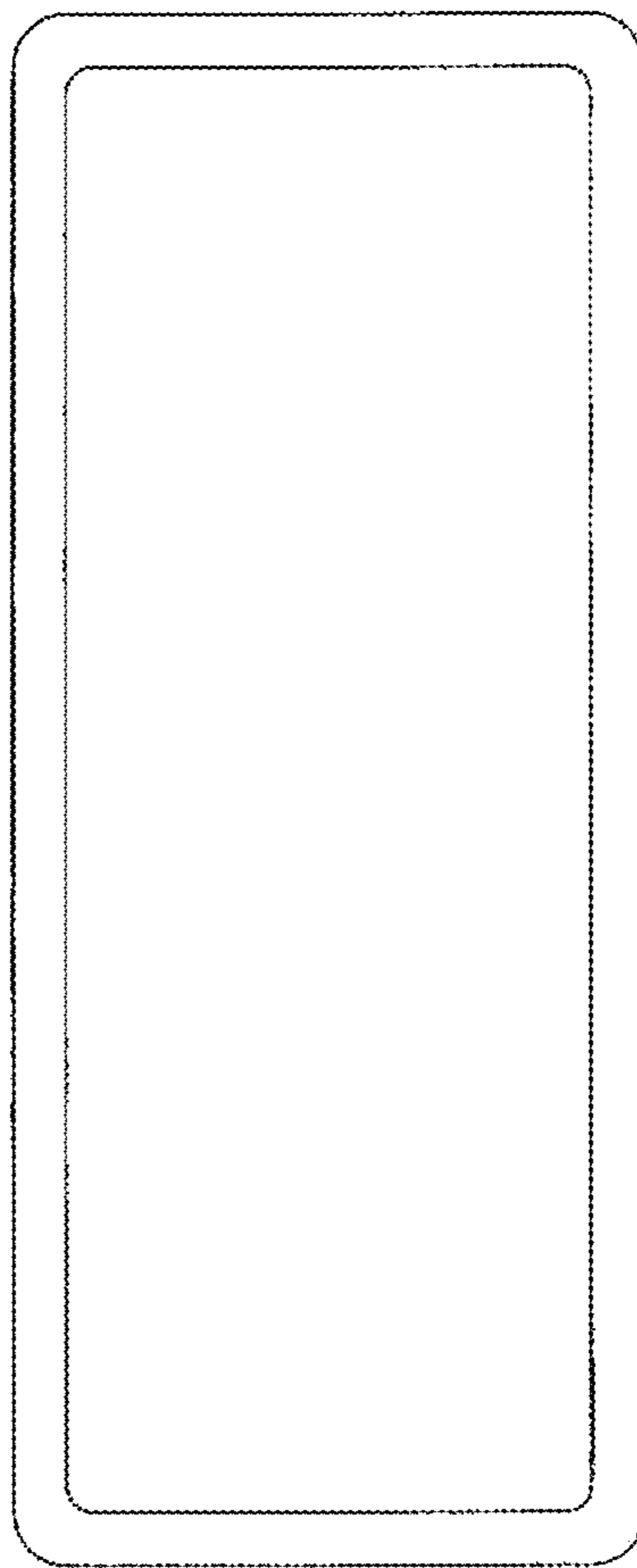


FIGURE 8

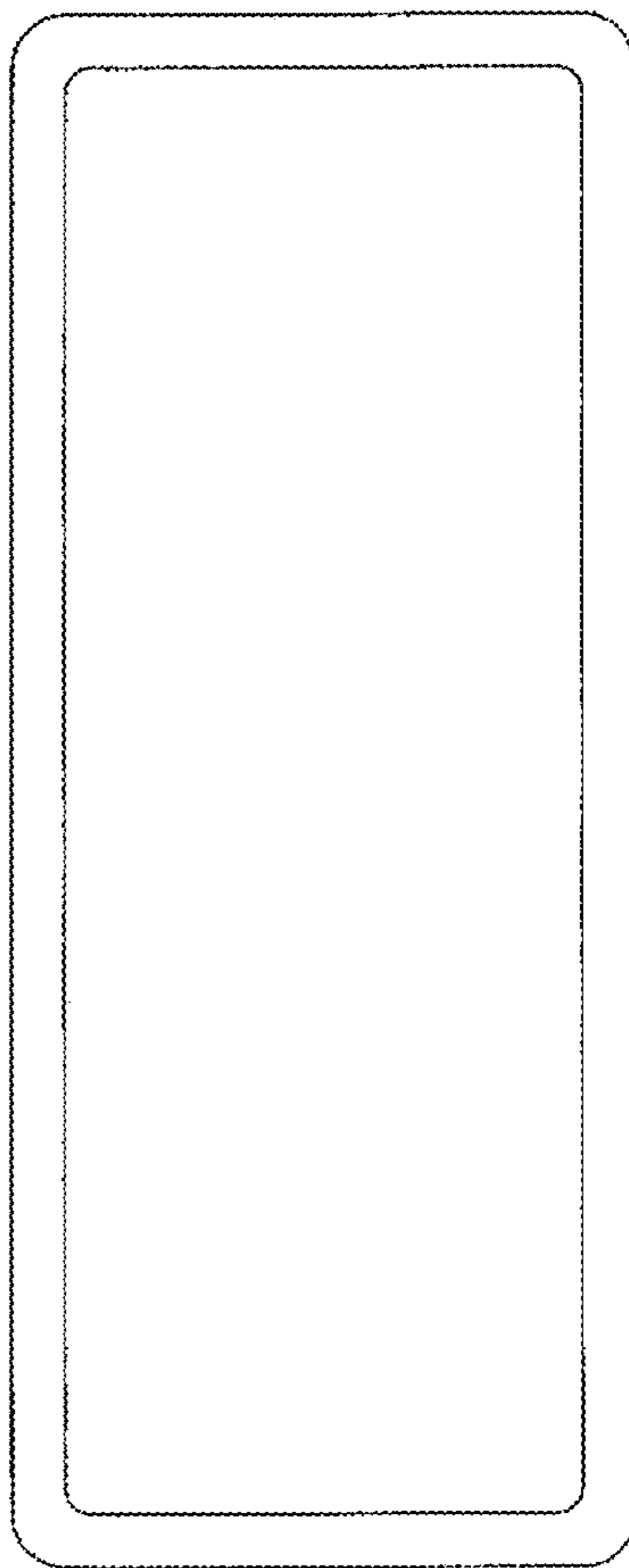


FIGURE 9

FIG. 10



FIG. 11

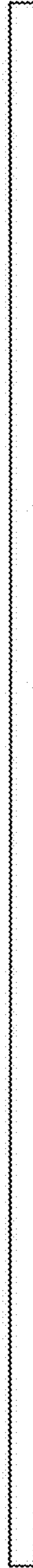
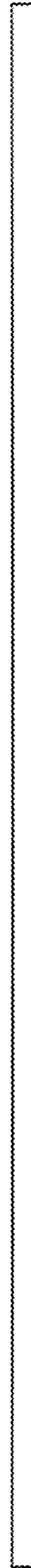


FIG. 12



FIG. 13



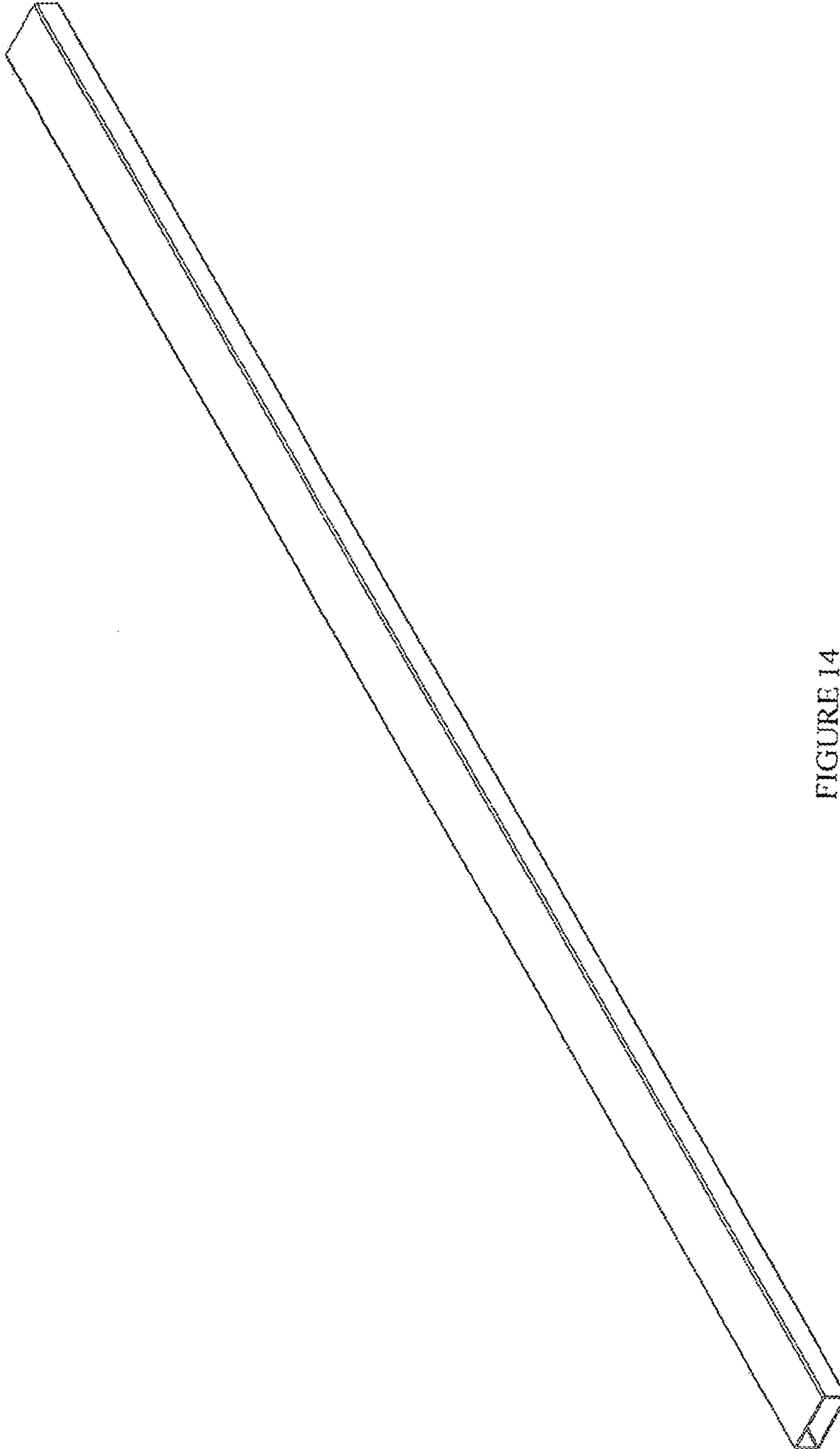


FIGURE 14

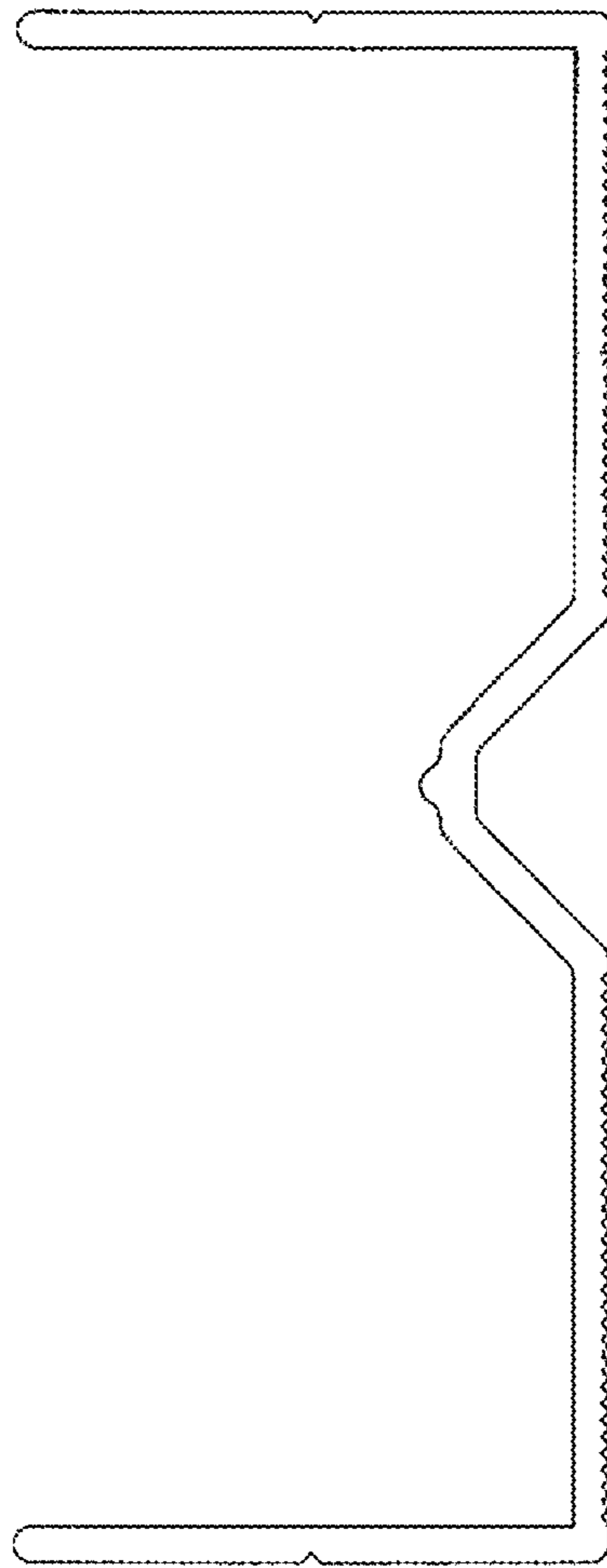


FIGURE 15

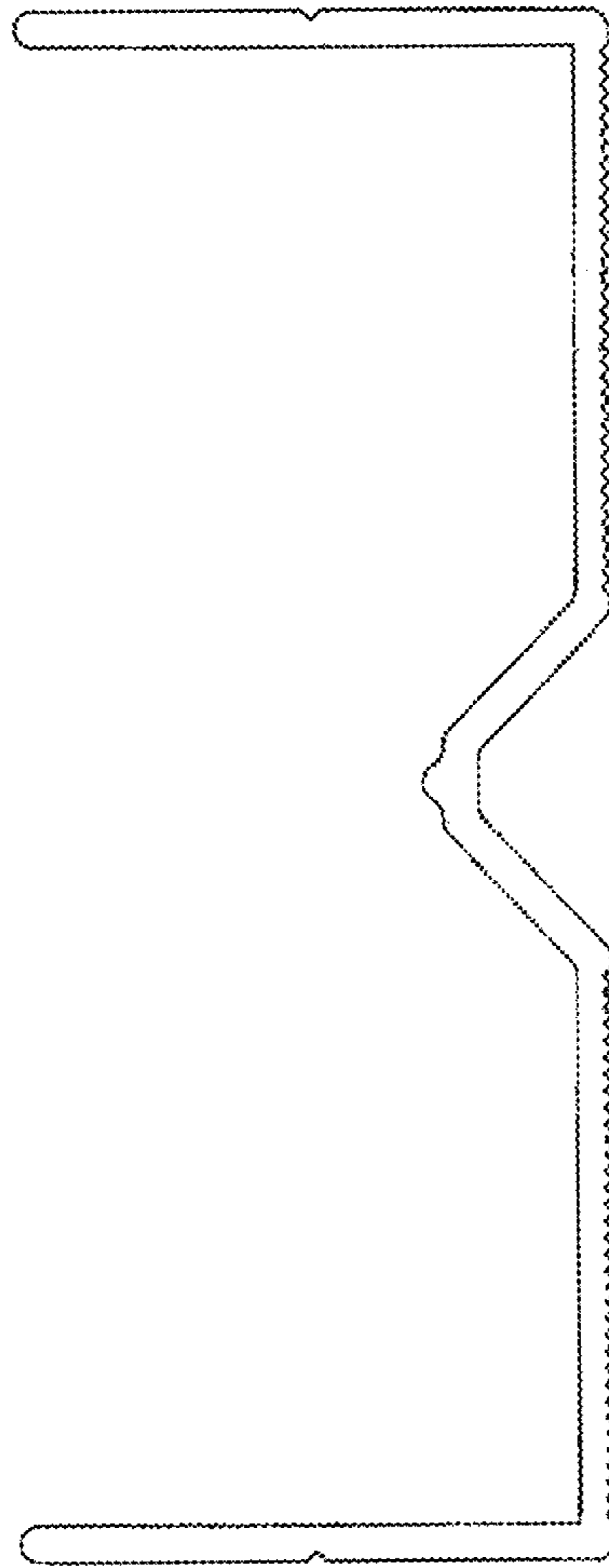
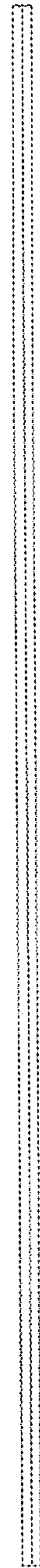
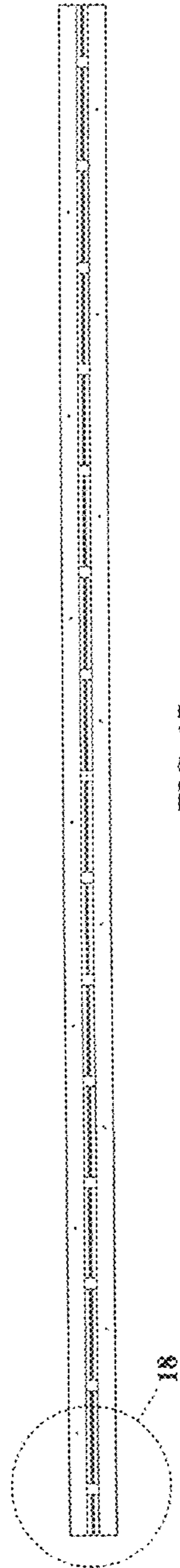


FIGURE 16



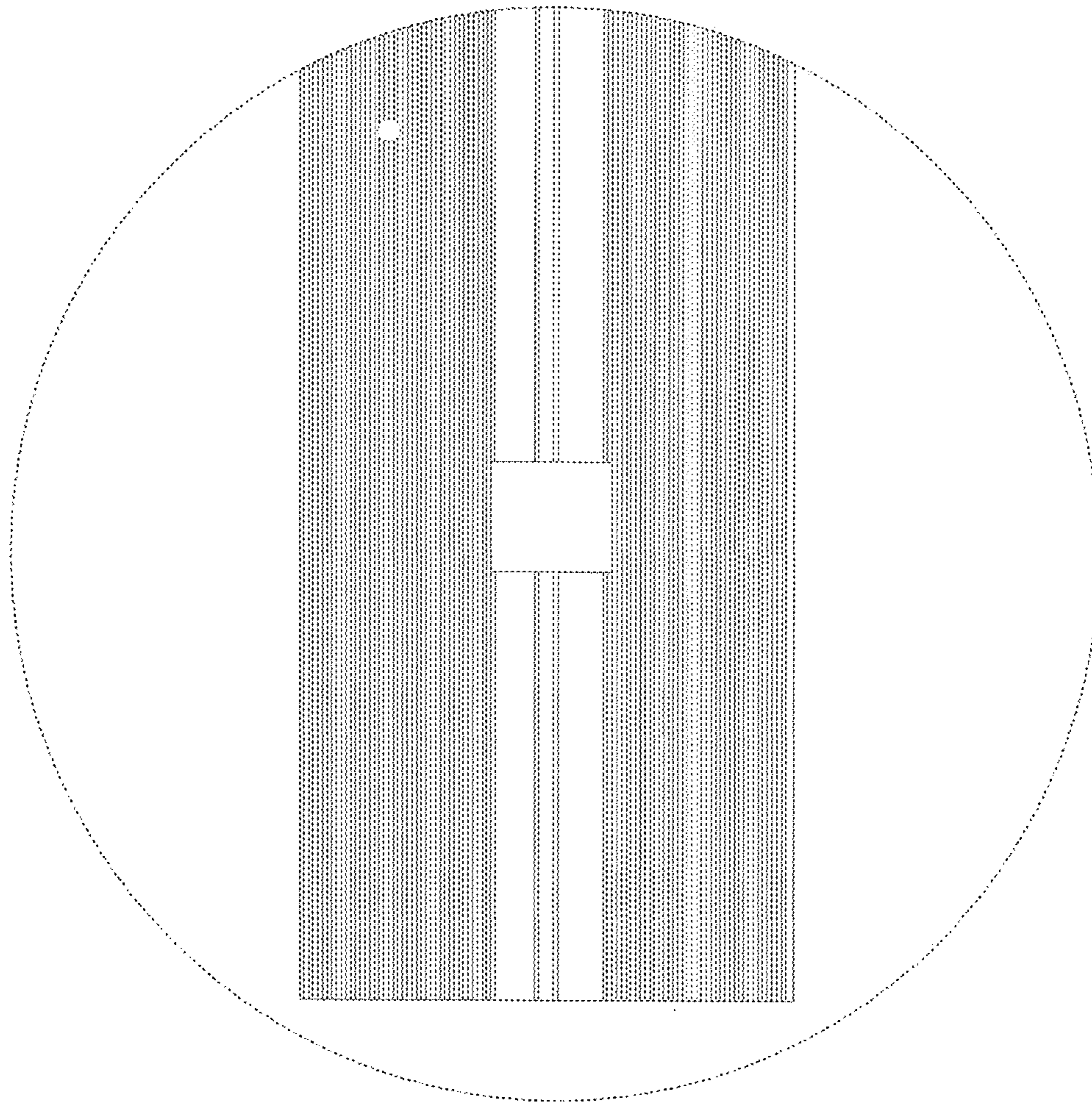


FIG. 18

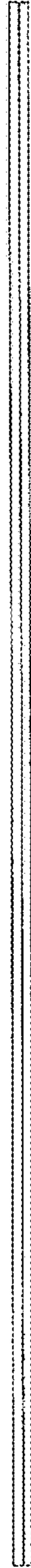


FIGURE 20

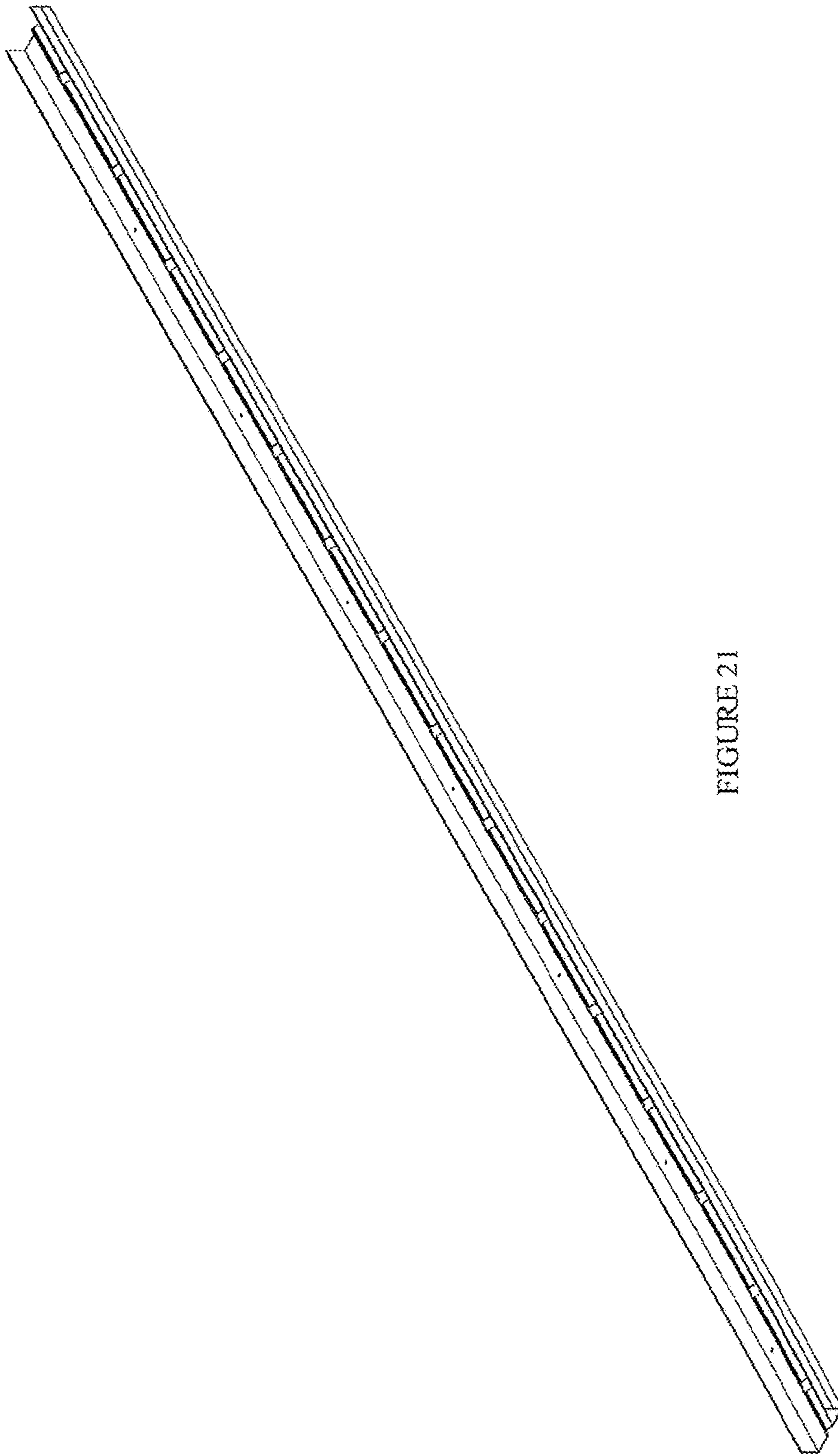


FIGURE 21

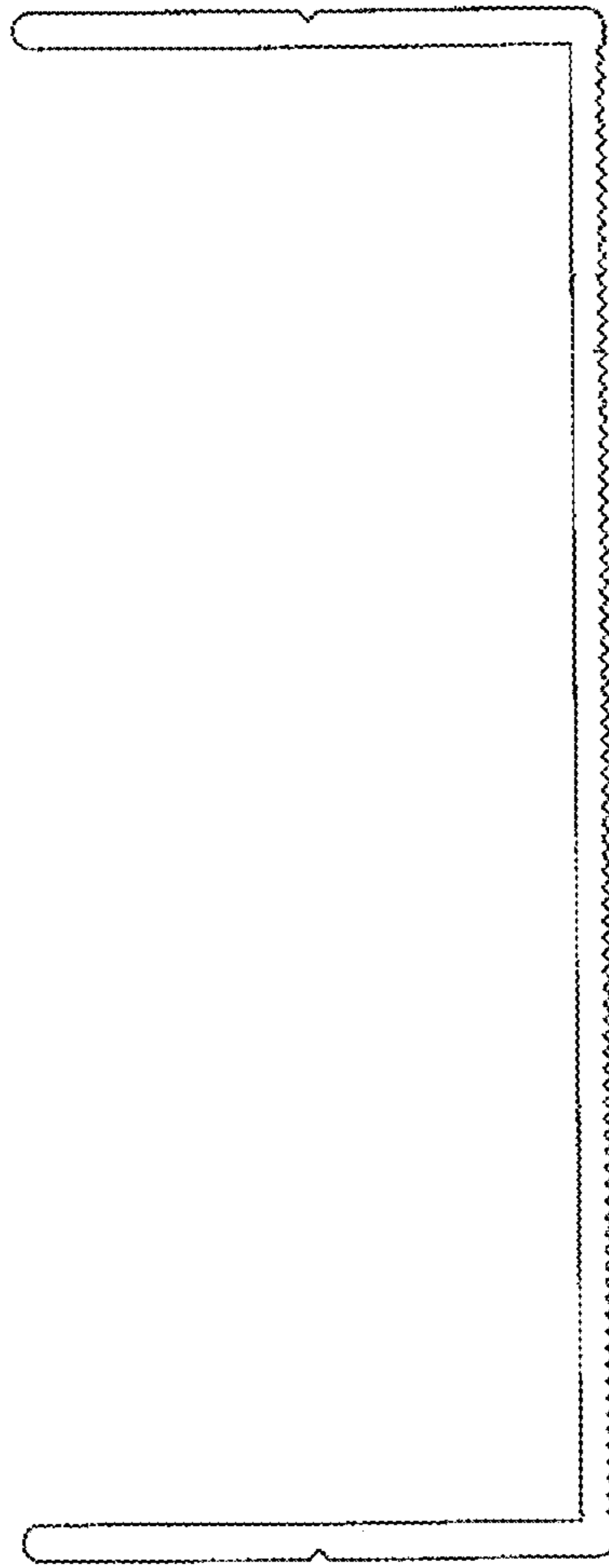


FIGURE 22

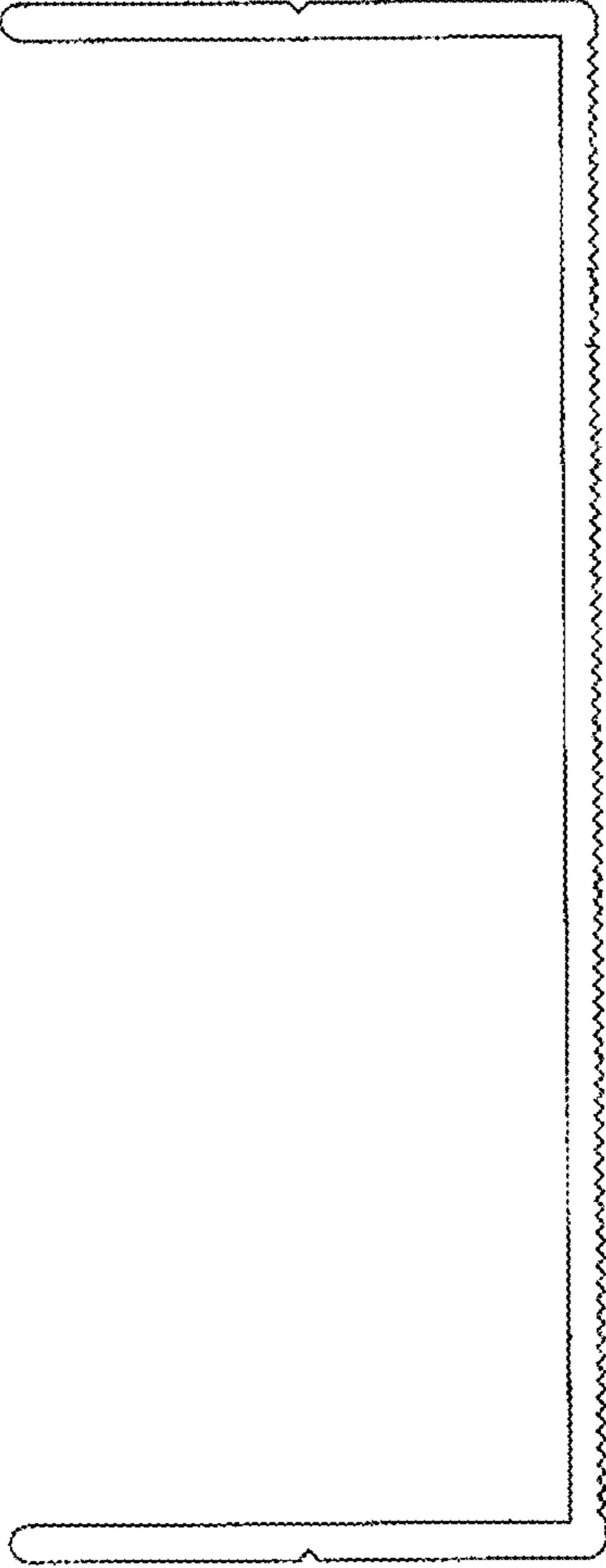


FIGURE 23

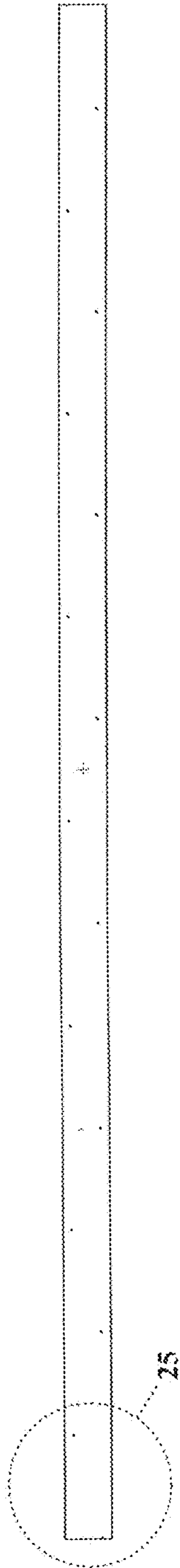


FIG. 24

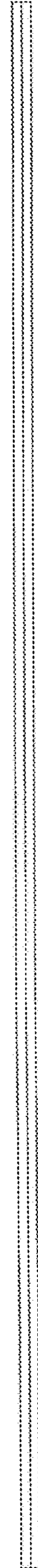


FIG. 26

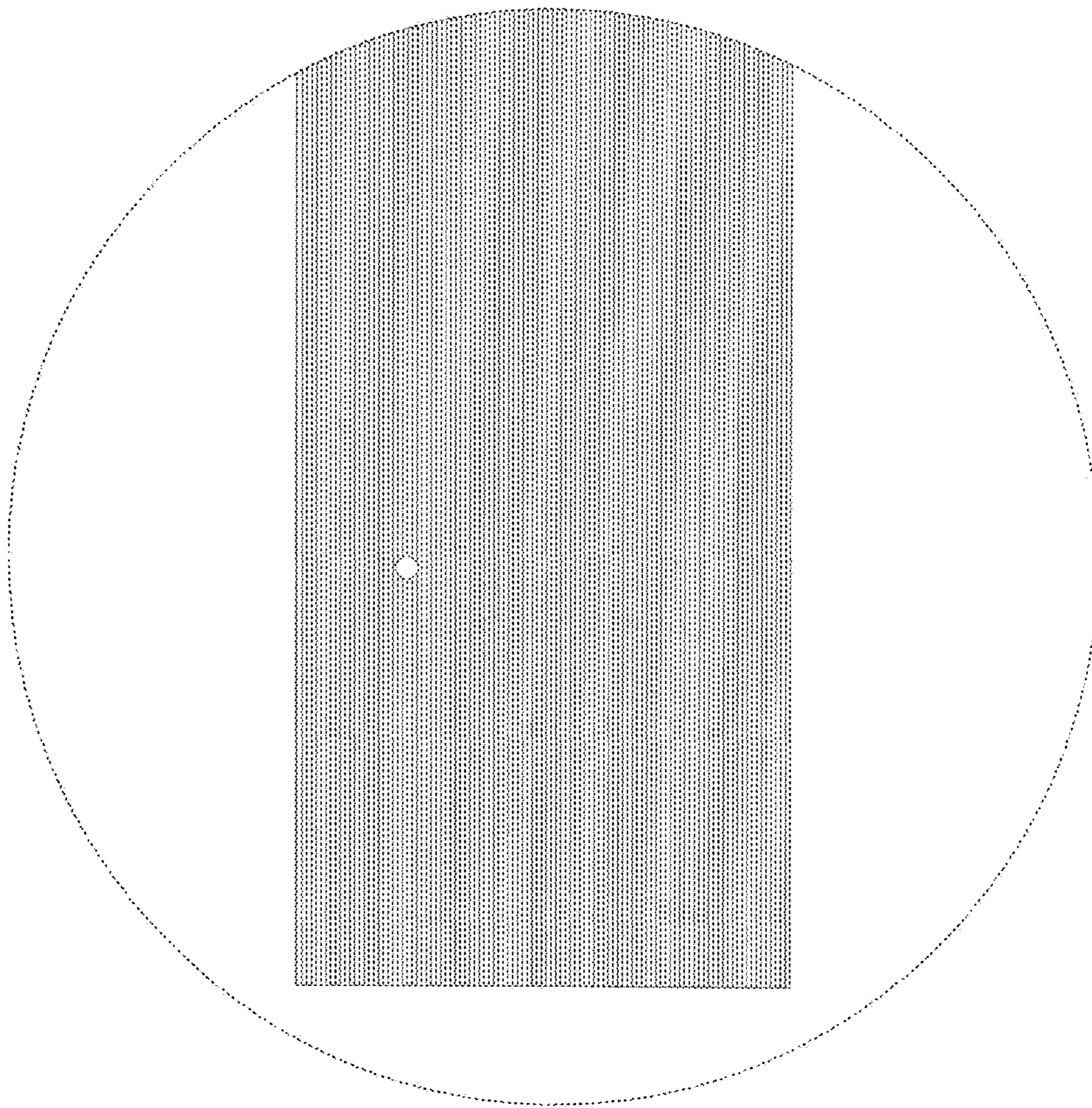


FIG. 25

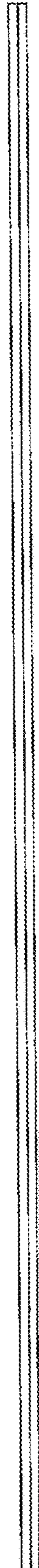


FIGURE 27

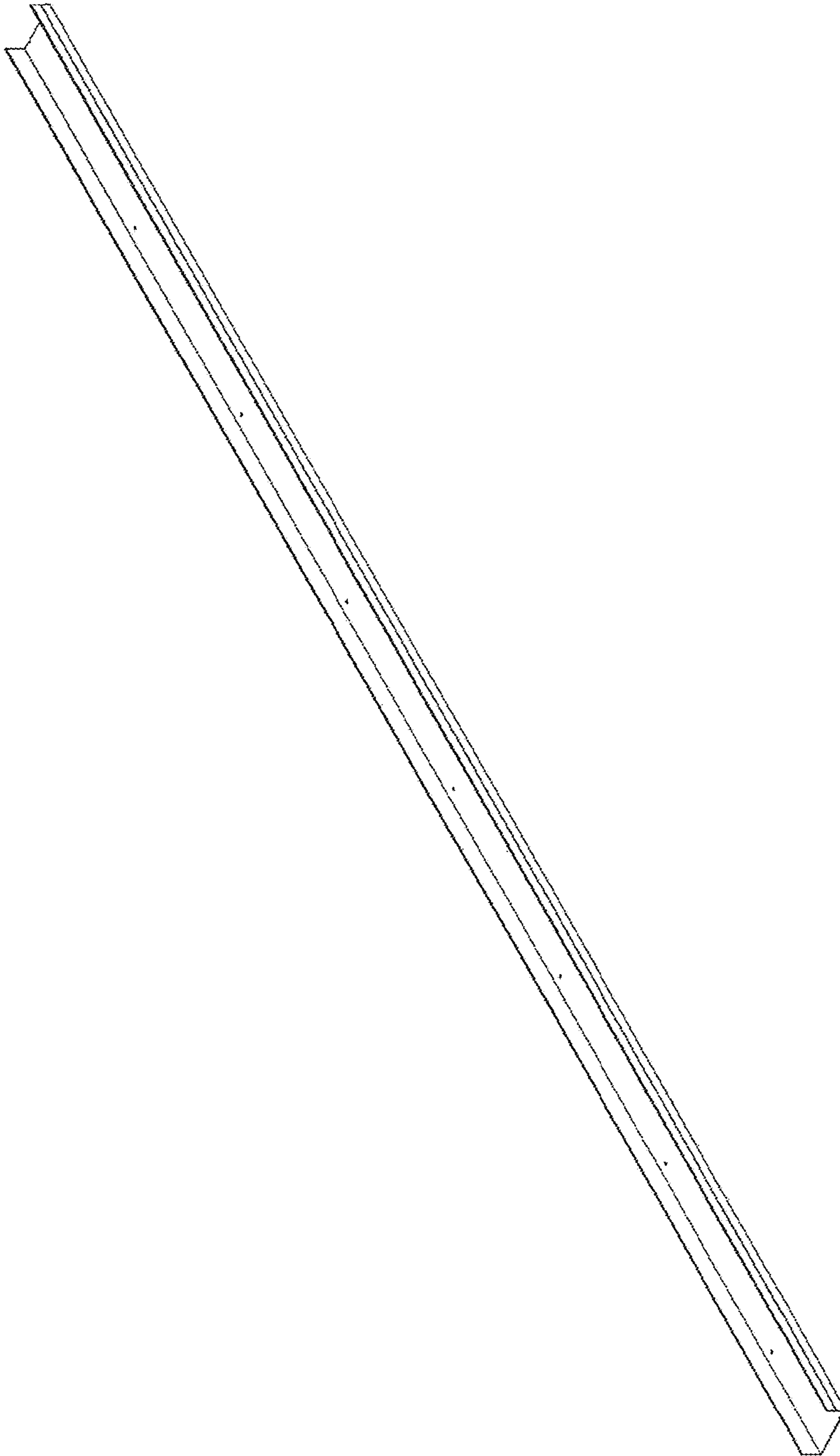


FIGURE 28

FIGURE 32



FIGURE 30

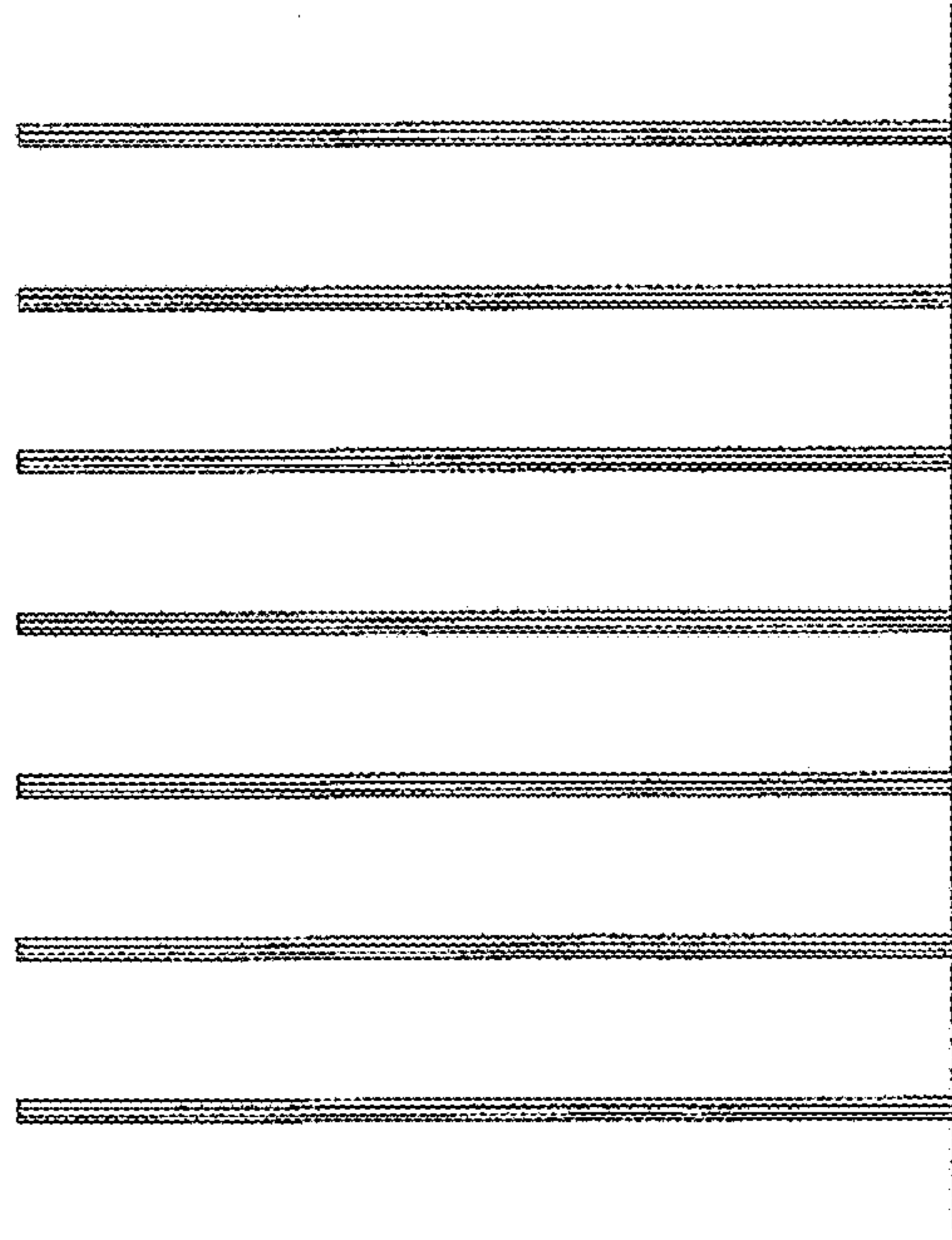
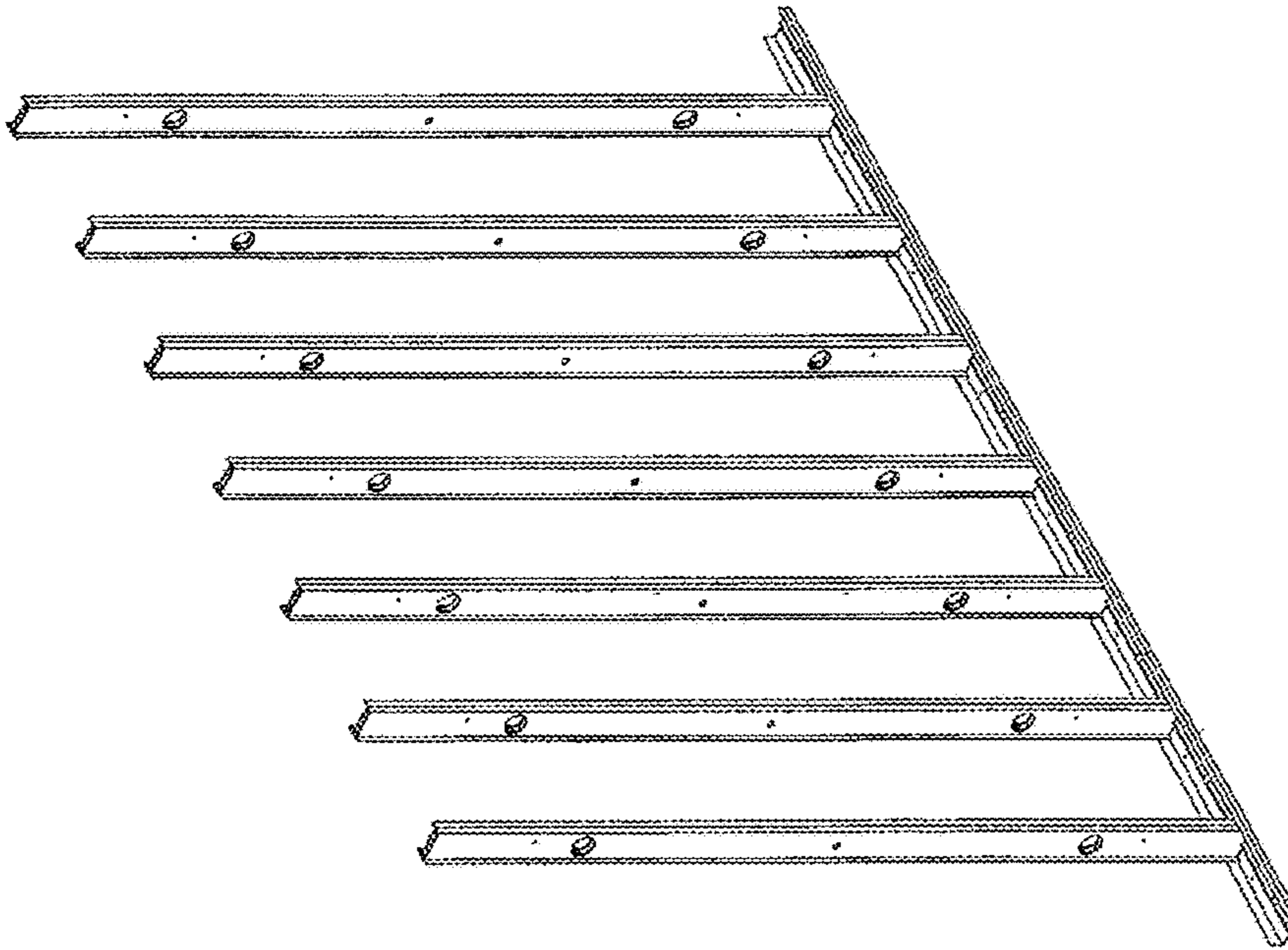


FIGURE 29



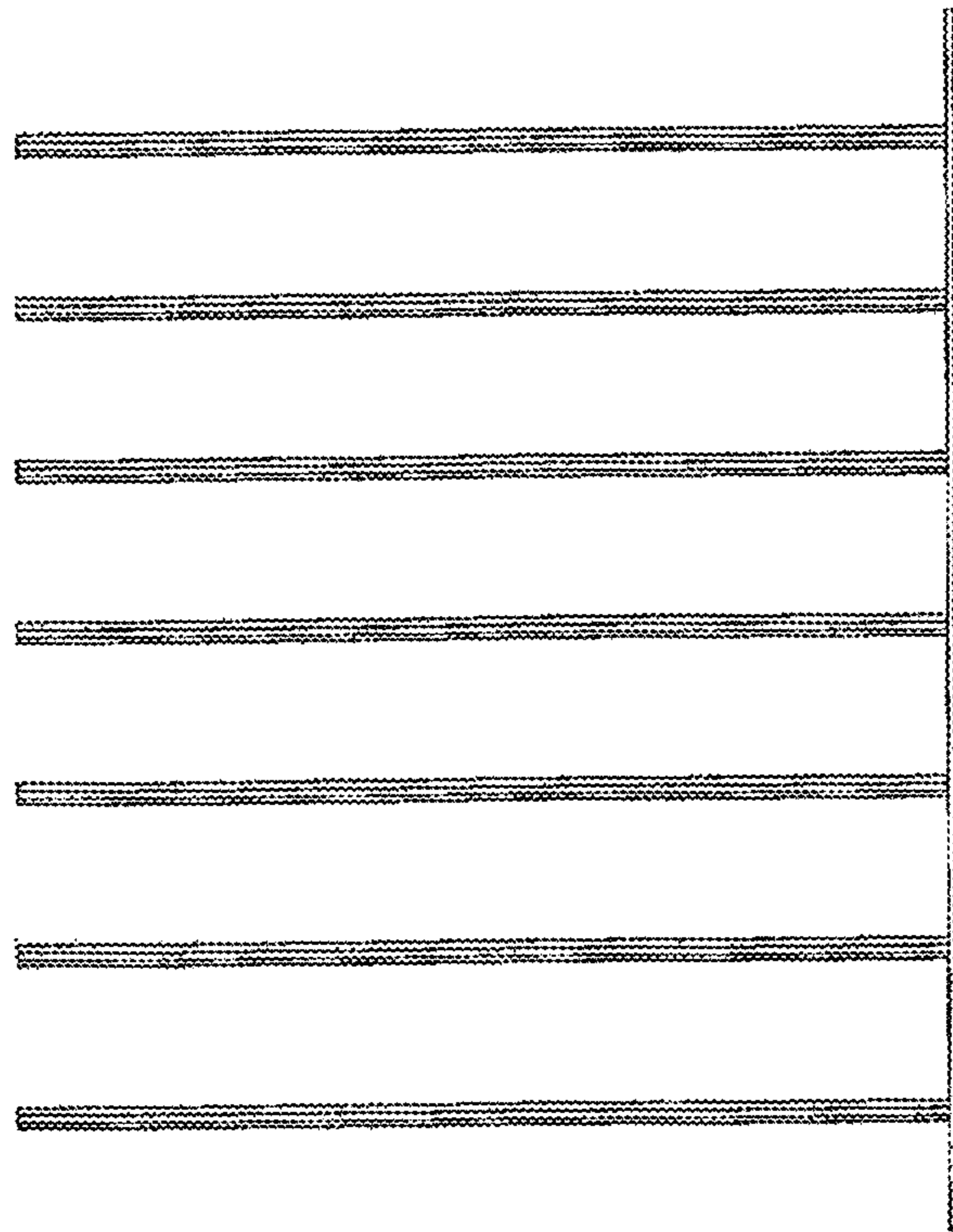


FIGURE 31