



US00D788325S

(12) **United States Design Patent** (10) **Patent No.:** **US D788,325 S**
Laurence (45) **Date of Patent:** **** May 30, 2017**

(54) **FASTENING SYSTEM FOR FLEXIBLE MATERIAL**

(71) Applicant: **KBL Holdings Pty Ltd**, Belmont WA (AU)

(72) Inventor: **Peter Laurence**, Belmont (AU)

(73) Assignee: **KBL Holdings PTY LTD**, Belmont WA (AU)

(**) Term: **15 Years**

(21) Appl. No.: **29/543,362**

(22) Filed: **Oct. 23, 2015**

(51) **LOC (10) Cl.** **25-02**

(52) **U.S. Cl.**
USPC **D25/57**; D8/396

(58) **Field of Classification Search**
USPC D8/356, 383, 394-396; D9/435, 443, D9/499; D25/38.1, 41.1, 56, 57, 119, D25/122, 124, 136, 164; 52/222; 160/392, 395
CPC A01G 9/14; A01G 9/22; A01G 9/24; F16B 2/22; F16B 5/0692; B65D 33/1666; E04D 5/146; E04H 15/322; E04H 15/642; E04H 15/644; E04F 10/0633; E06B 9/52; B65B 67/12

See application file for complete search history.

(56) **References Cited**

U.S. PATENT DOCUMENTS

- 2,247,846 A * 7/1941 Perlman A47H 13/00 160/370
- 3,141,221 A * 7/1964 Faulls, Jr. B65D 33/1666 206/1.5
- 4,188,764 A * 2/1980 Gode A01G 9/1407 160/392
- D275,324 S * 8/1984 Wahlin D25/124
- 4,759,518 A * 7/1988 Yardas B65B 67/12 24/462

- 4,871,264 A * 10/1989 Robbins, III B65D 33/1666 294/137
- D305,402 S * 1/1990 Novak D6/550
- D309,280 S * 7/1990 Balfanz-Lee D11/201
- D474,968 S * 5/2003 Hicks D9/435
- D549,849 S * 8/2007 Koeda D25/119
- 8,056,602 B1 * 11/2011 Green E06B 9/52 160/392

(Continued)

FOREIGN PATENT DOCUMENTS

- EM 000958137-0005 * 7/2008
- WO 2008043126 4/2008

OTHER PUBLICATIONS

<https://www.youtube.com/watch?v=E7NUjgeOlAo> posted Nov. 19, 2013.*

Primary Examiner — Susan Bennett Hattan
Assistant Examiner — Leanne Was-Englehart
(74) *Attorney, Agent, or Firm* — Gerald E. Helget; Briggs and Morgan, P.A.

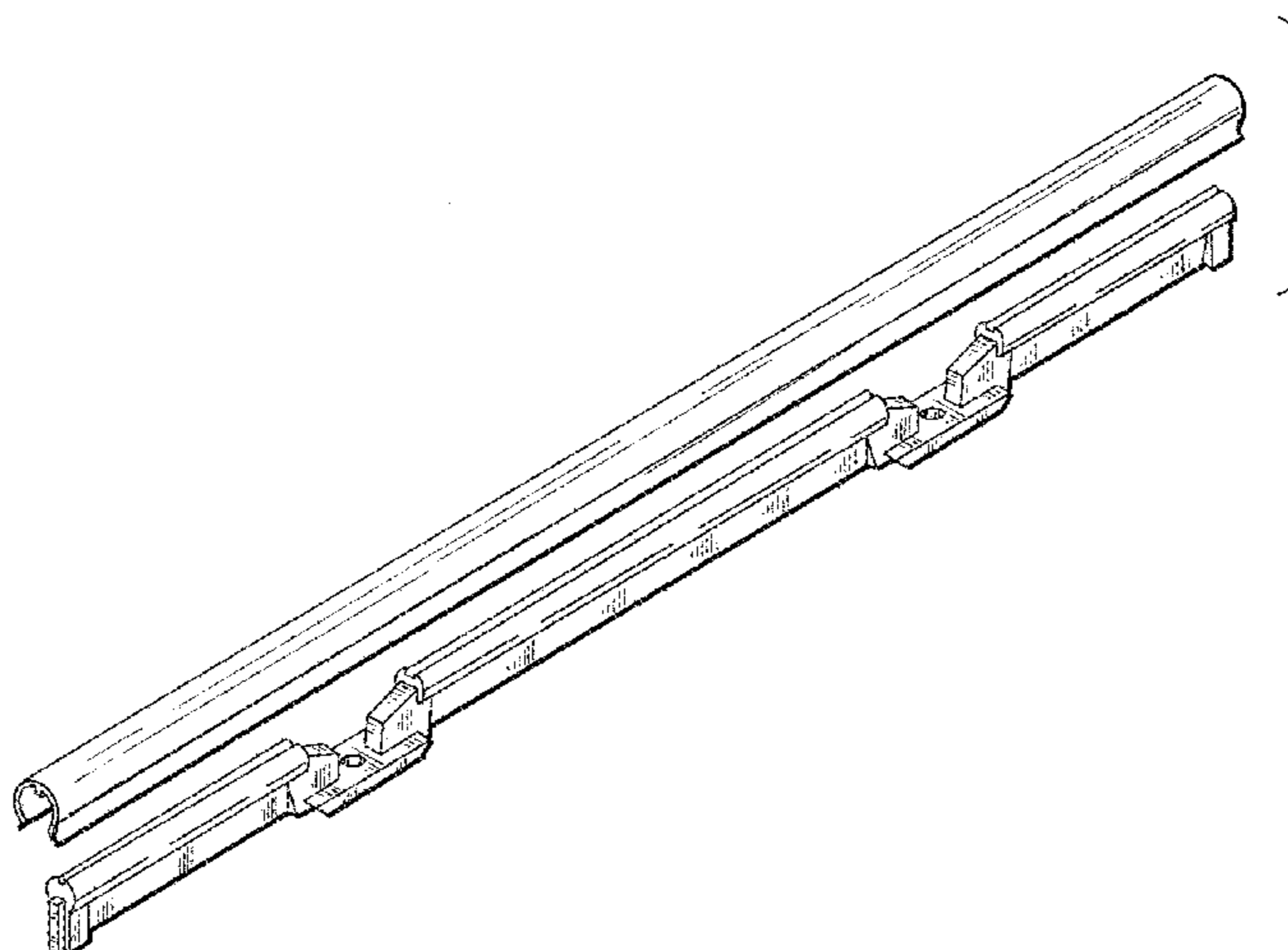
(57) **CLAIM**

The ornamental design for a fastening system for flexible material, as shown and described.

DESCRIPTION

FIG. 1 is an exploded front elevational view showing my new design for a fastening system for flexible material; FIG. 2 is a rear elevational view; FIG. 3 is an exploded front perspective view; FIG. 4 is a front perspective view; FIG. 5 is an exploded left side elevational view which is a mirror image of the right side exploded view; FIG. 6 is a left side elevational view; which is a mirror image of the right side elevational view; FIG. 7 is a bottom plan view; and, FIG. 8 is a top plan view.

1 Claim, 3 Drawing Sheets



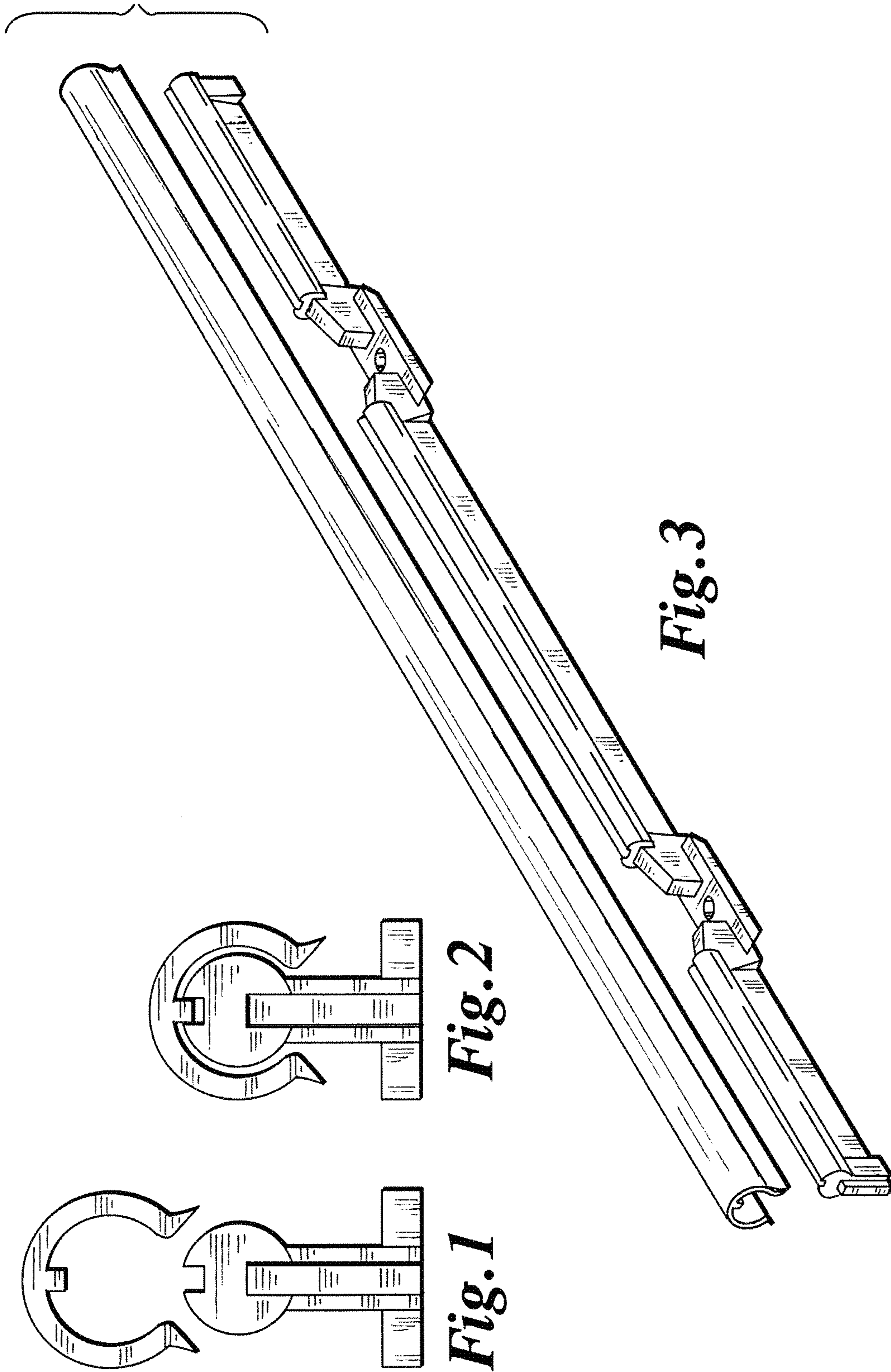
(56)

References Cited

U.S. PATENT DOCUMENTS

D660,456 S * 5/2012 McKinney E04H 15/642
D25/57
8,640,720 B1 * 2/2014 Roberto A45B 19/06
135/26
D713,242 S * 9/2014 Magan D8/396
9,200,652 B1 * 12/2015 Laurence F16B 2/22
D760,583 S * 7/2016 Weilage D8/395
D770,267 S * 11/2016 Roan D8/395
2010/0096094 A1 * 4/2010 Boston A01G 9/22
160/395
2015/0020473 A1 * 1/2015 Fox E04H 15/322
52/712
2016/0230391 A1 * 8/2016 Fox E04H 15/642

* cited by examiner



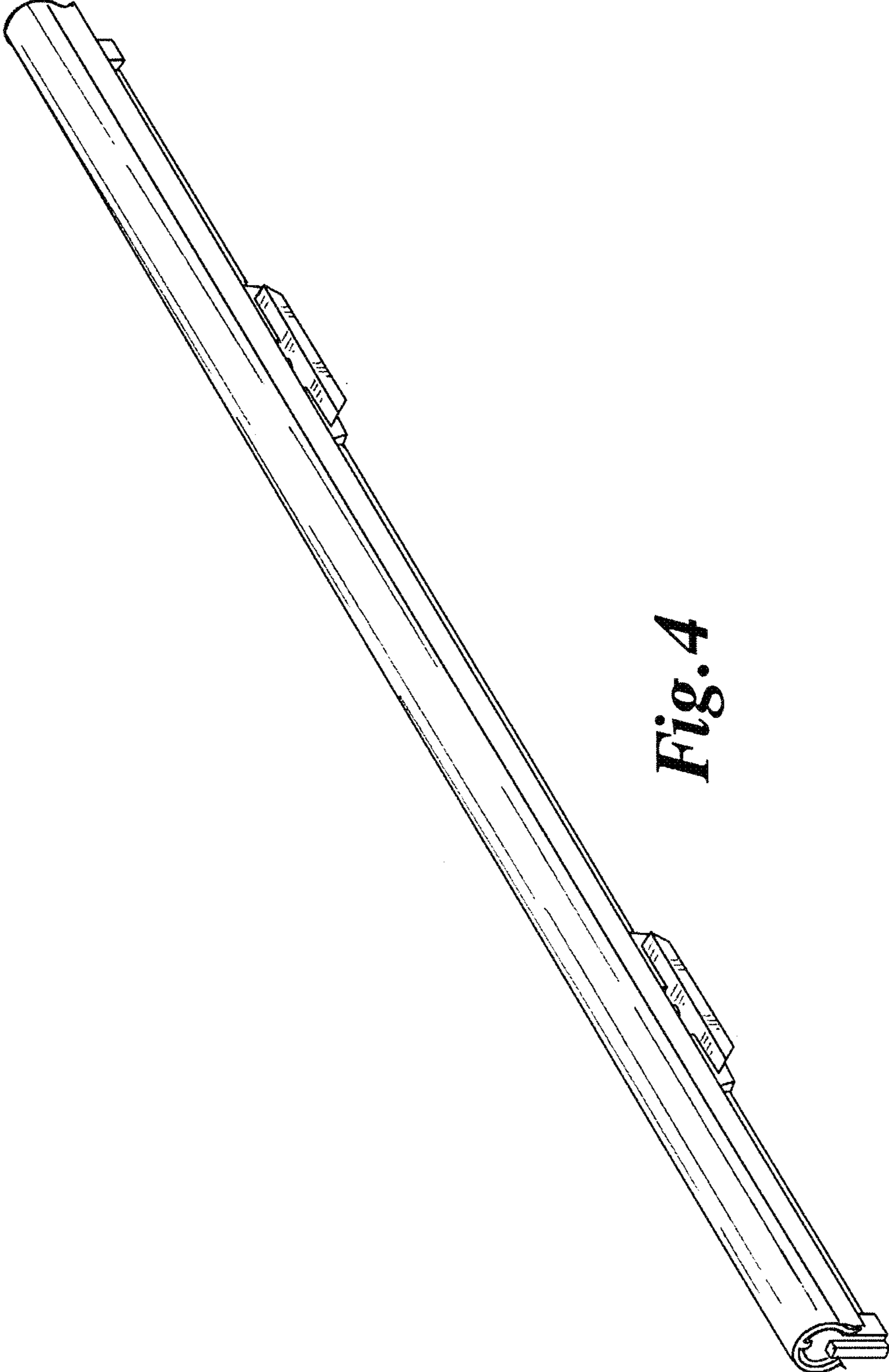


Fig. 4

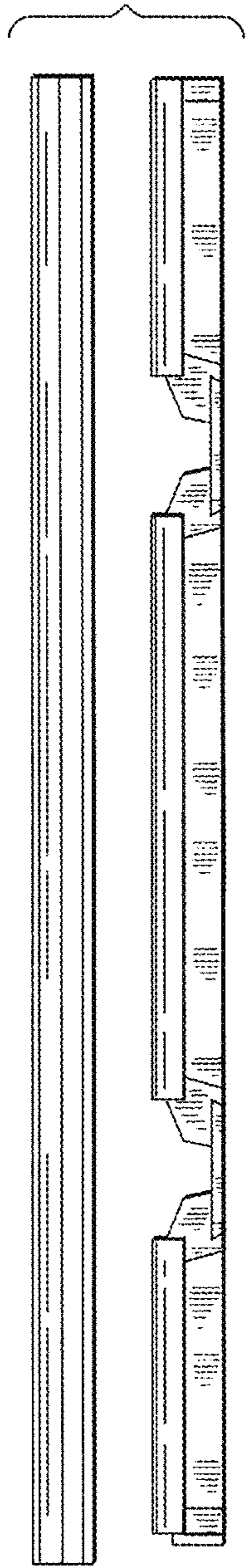


Fig. 5



Fig. 6



Fig. 7

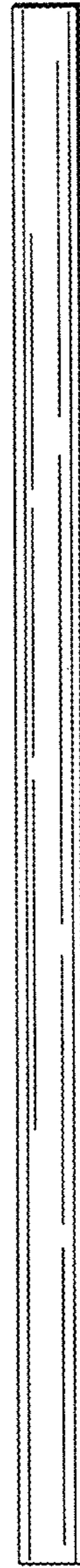


Fig. 8