



US00D788322S

(12) **United States Design Patent** (10) **Patent No.:** **US D788,322 S**
Gouge et al. (45) **Date of Patent:** **** May 30, 2017**

(54) **DOOR**

(71) Applicant: **Masonite Corporation**, Tampa, FL (US)

(72) Inventors: **Timothy D. Gouge**, Elgin, IL (US);
Robert C. Allen, Elburn, IL (US);
Jason M. Walsh, Batavia, IL (US);
Mark Albrighton, Wesley Chapel, FL (US)

(73) Assignee: **Masonite Corporation**, Tampa, FL (US)

(**) Term: **15 Years**

(21) Appl. No.: **29/529,342**

(22) Filed: **Jun. 5, 2015**

(51) **LOC (10) Cl.** **25-02**

(52) **U.S. Cl.**
USPC **D25/48.3**

(58) **Field of Classification Search**
USPC D25/48.3, 48.4, 48.5, 48.6, 48.7, 48.8,
D25/138; 49/382, 501, 504, 506;
(Continued)

(56) **References Cited**

U.S. PATENT DOCUMENTS

432,504 A *	7/1890	Amsden	E06B 3/5892
				52/455
926,361 A *	6/1909	Sjoberg	E06B 3/5892
				52/455

(Continued)

Primary Examiner — Susan Bennett Hattan

Assistant Examiner — Leanne Was-Englehart

(74) *Attorney, Agent, or Firm* — Berenato & White, LLC

(57) **CLAIM**

The ornamental design for a door, as shown and described.

DESCRIPTION

FIG. 1 is a front perspective view of our design;

FIG. 2 is a front elevational view;

FIG. 3 is a rear elevational view;

FIG. 4 is an enlarged view of the encircled portion of FIG. 1;

FIG. 5 is a top plan view;

FIG. 6 is a bottom plan view;

FIG. 7 is a cross sectional view taken along line 7-7 in FIG. 2;

FIG. 8 is a cross sectional view taken along line 8-8 in FIG. 2;

FIG. 9 is an enlarged fragmentary cross sectional view of the encircled portion of FIG. 7;

FIG. 10 is an enlarged fragmentary cross sectional view of the encircled portion of FIG. 8;

FIG. 11 is a right side elevational view;

FIG. 12 is a left elevational view;

FIG. 13 is a cross sectional view taken along line 13-13 in FIG. 2;

FIG. 14 is an enlarged fragmentary cross sectional view of the encircled portion of FIG. 13;

FIG. 15 is an enlarged fragmentary cross sectional view of the encircled portion of FIG. 13;

FIG. 16 is a front perspective view of a second version of our design;

FIG. 17 is a front elevational view;

FIG. 18 is a rear elevational view;

FIG. 19 is an enlarged view of the encircled portion of FIG. 16;

FIG. 20 is a top plan view;

FIG. 21 is a bottom plan view;

FIG. 22 is a cross sectional view taken along line 22-22 in FIG. 17;

FIG. 23 is a cross sectional view taken along line 23-23 in FIG. 17;

FIG. 24 is an enlarged fragmentary cross sectional view of the encircled portion of FIG. 22;

FIG. 25 is enlarged fragmentary cross sectional view of the encircled portion of FIG. 22;

FIG. 26 is a right side elevational view;

FIG. 27 is a left elevational view;

FIG. 28 is a cross sectional view taken along line 28-28 in FIG. 17;

FIG. 29 is an enlarged fragmentary cross sectional view of the encircled portion of FIG. 28; and,

(Continued)

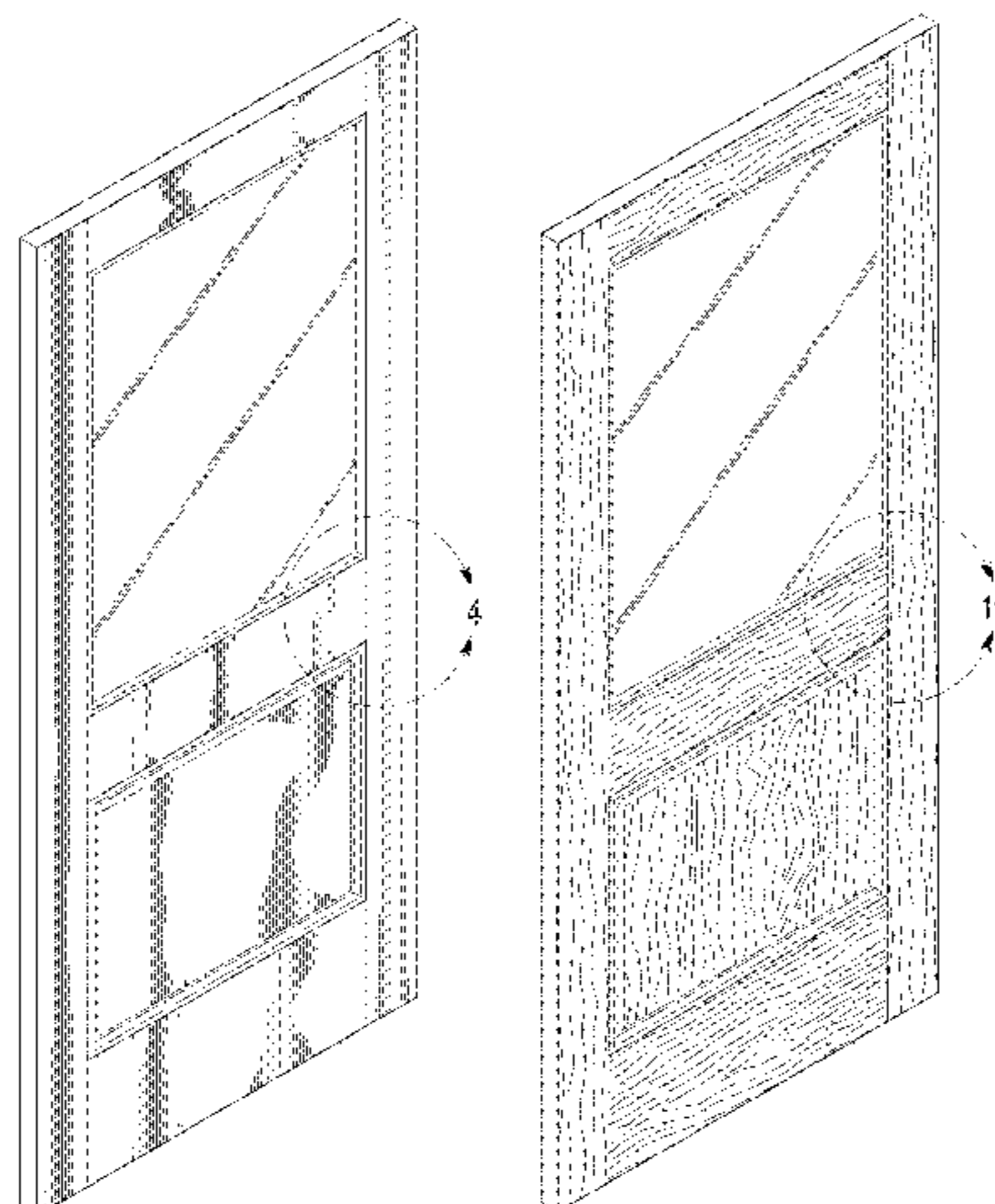


FIG. 30 is an enlarged fragmentary cross sectional view of the encircled portion of FIG. 28.

1 Claim, 16 Drawing Sheets

(58) Field of Classification Search

USPC 52/207, 208, 311.2, 311.3, 313, 455-458,
52/474, 475.1, 781, 784.16; 428/45
CPC ... E06B 3/72; E06B 3/78; E06B 3/485; E06B
3/4636; E06B 2003/7044; E06B 1/04;
E06B 5/00

See application file for complete search history.

(56) References Cited

U.S. PATENT DOCUMENTS

956,556 A * 5/1910 Wege E06B 3/5892
5/280
985,912 A * 3/1911 Lindros E06B 3/5892
52/455

986,013 A * 3/1911 Klemm E06B 3/728
52/455
988,574 A * 4/1911 Jones E06B 3/5892
52/455
1,021,053 A * 3/1912 Lempera E06B 3/5892
52/455
1,086,934 A * 2/1914 Parish E06B 3/5892
52/455
1,094,025 A * 4/1914 Scott E04B 1/0046
52/455
1,391,949 A * 9/1921 Gogay E06B 3/5892
52/455
1,466,650 A * 8/1923 Peterson E06B 3/728
52/455
D529,188 S 9/2006 Walsh et al.
D566,293 S 4/2008 Walsh et al.
D593,212 S 5/2009 Walsh et al.
D608,904 S 1/2010 Walsh et al.
D660,979 S 5/2012 Walsh
D665,099 S 8/2012 Paxton
D736,409 S 8/2015 Gouge et al.
D756,534 S * 5/2016 Allen D25/48.3

* cited by examiner

FIG. 1

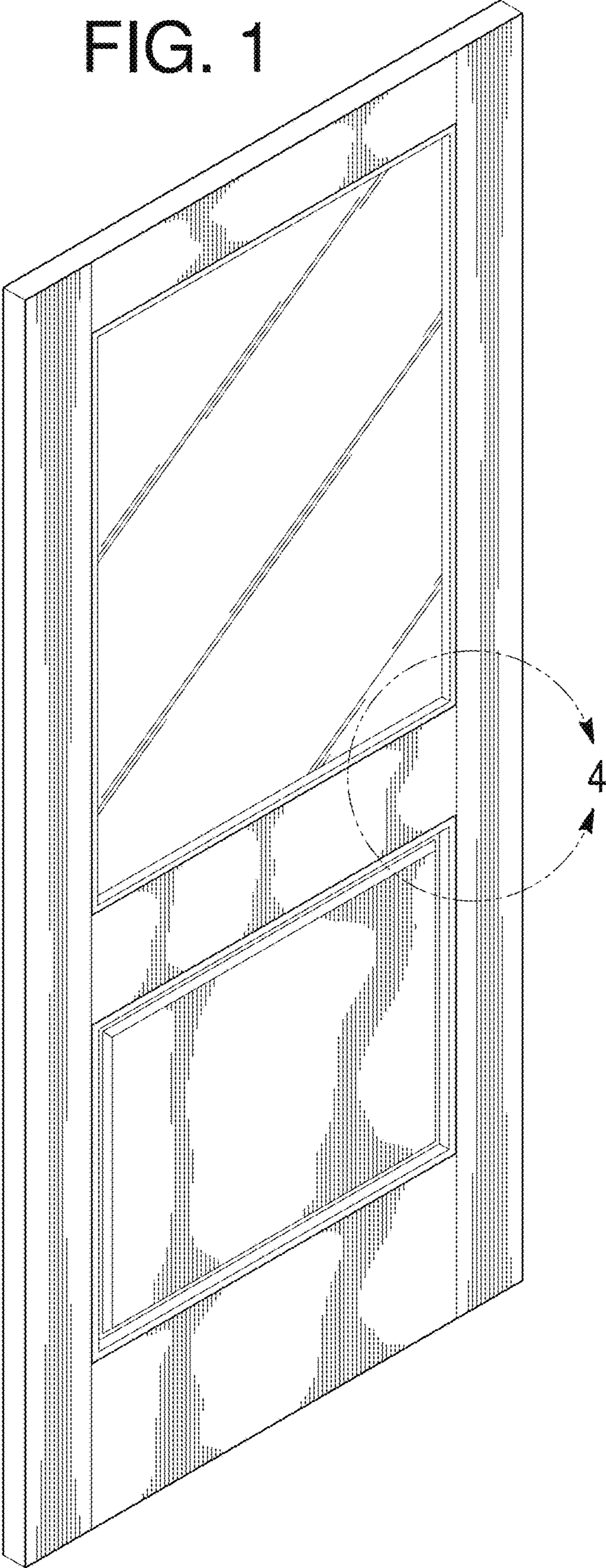


FIG. 2

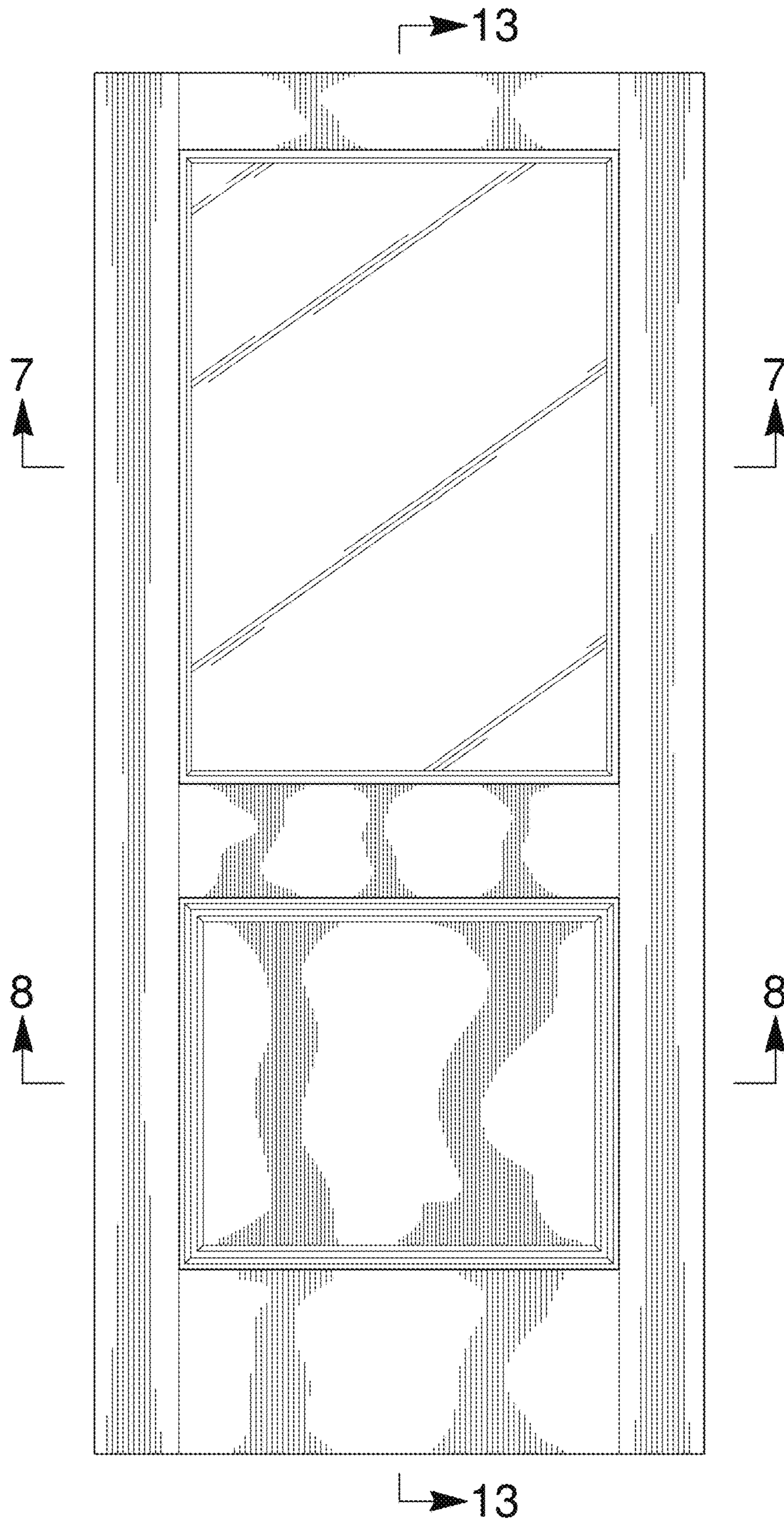


FIG. 3

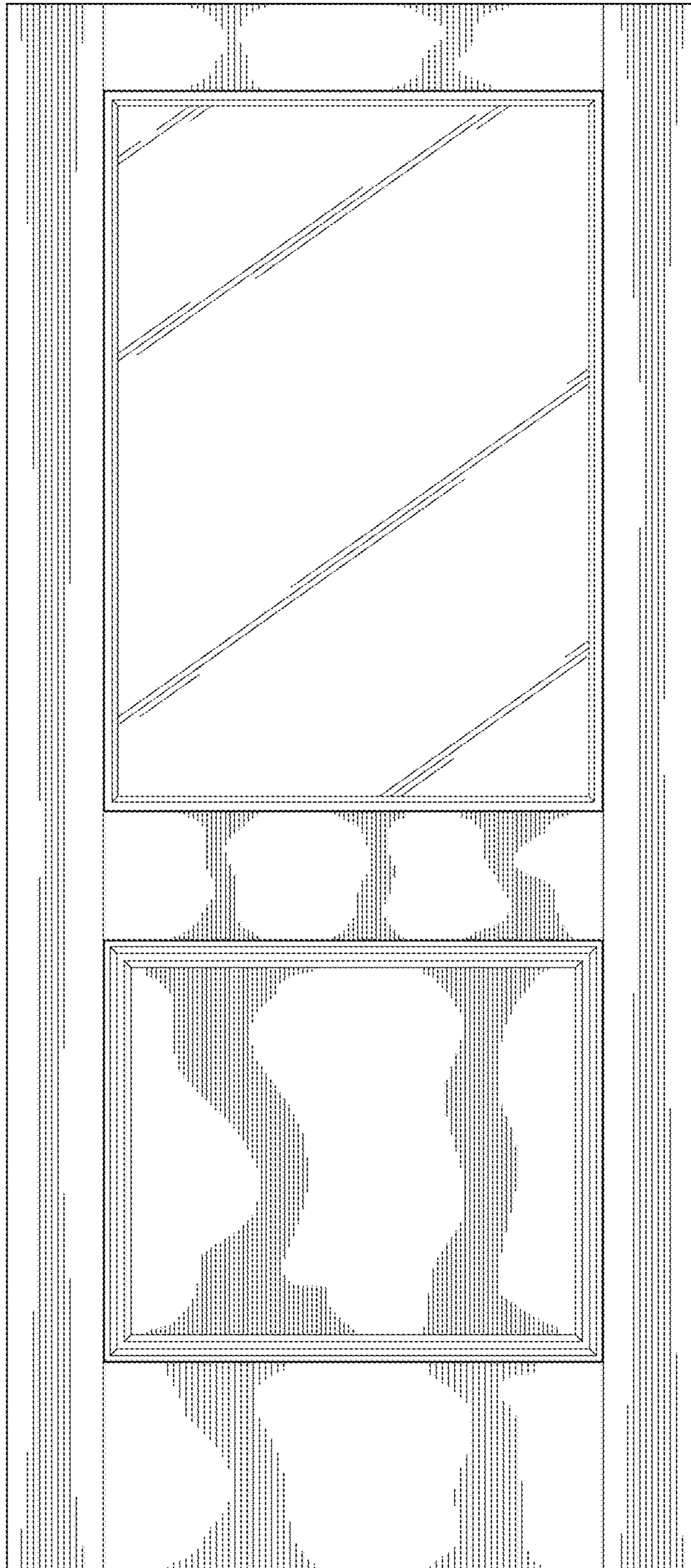


FIG. 4

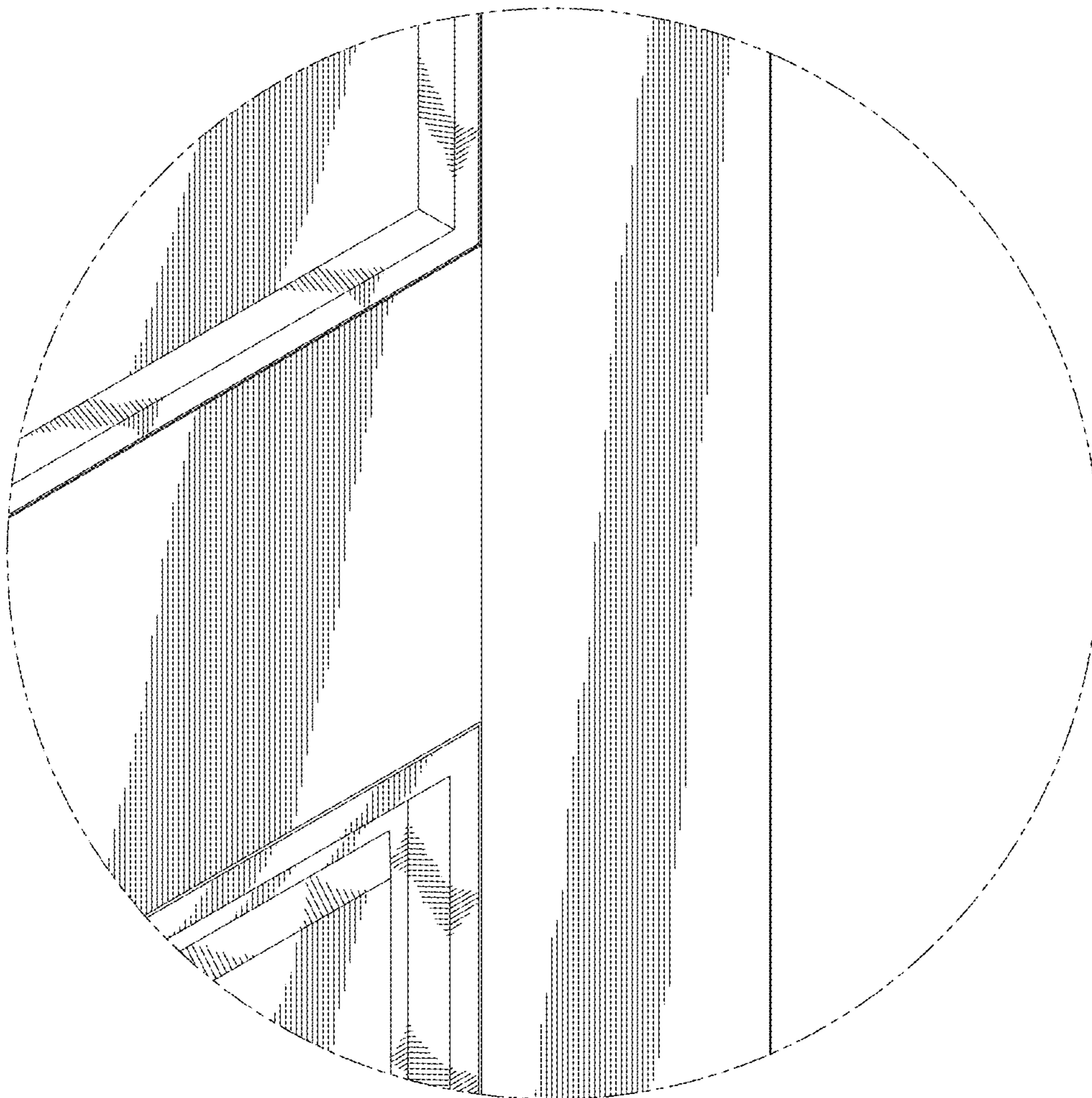


FIG. 5



FIG. 6

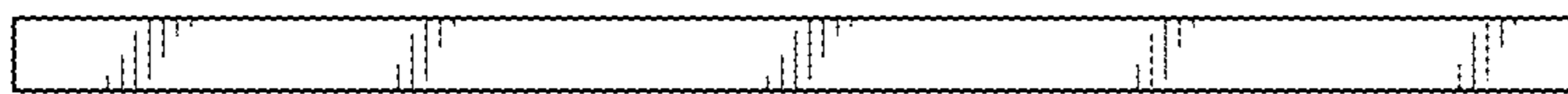


FIG. 7

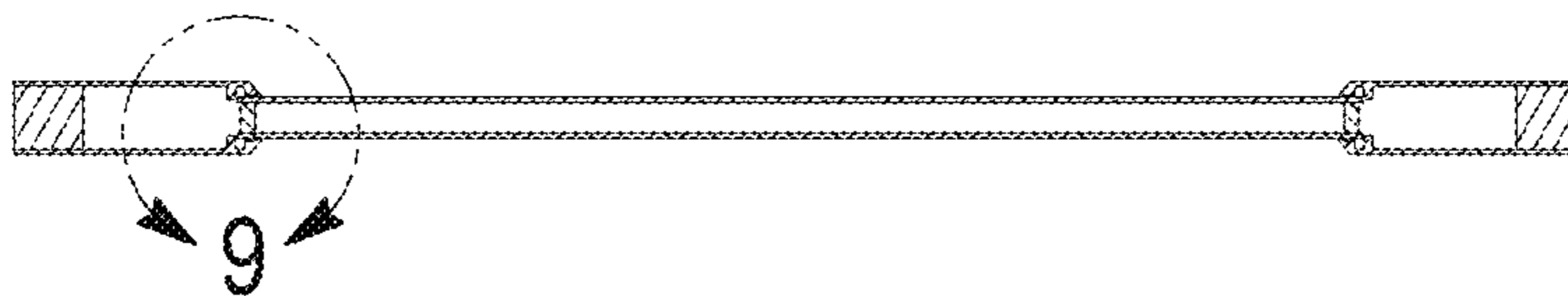
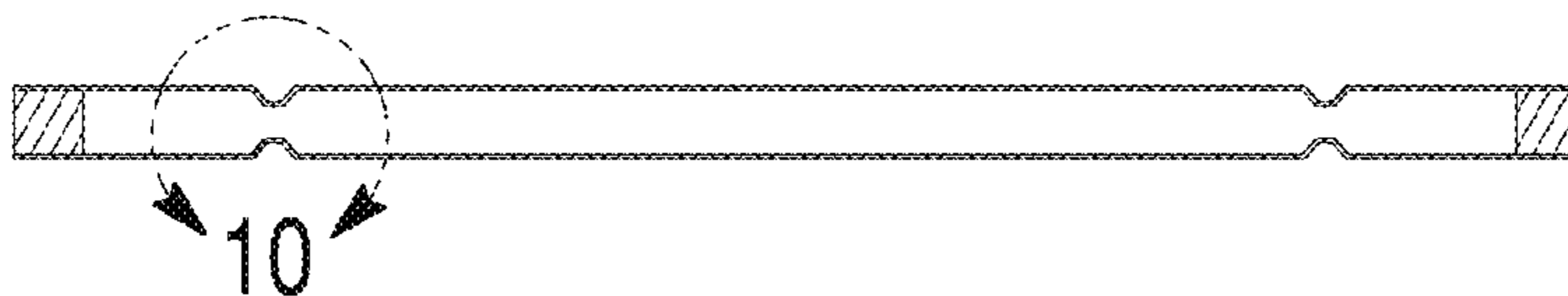


FIG. 8



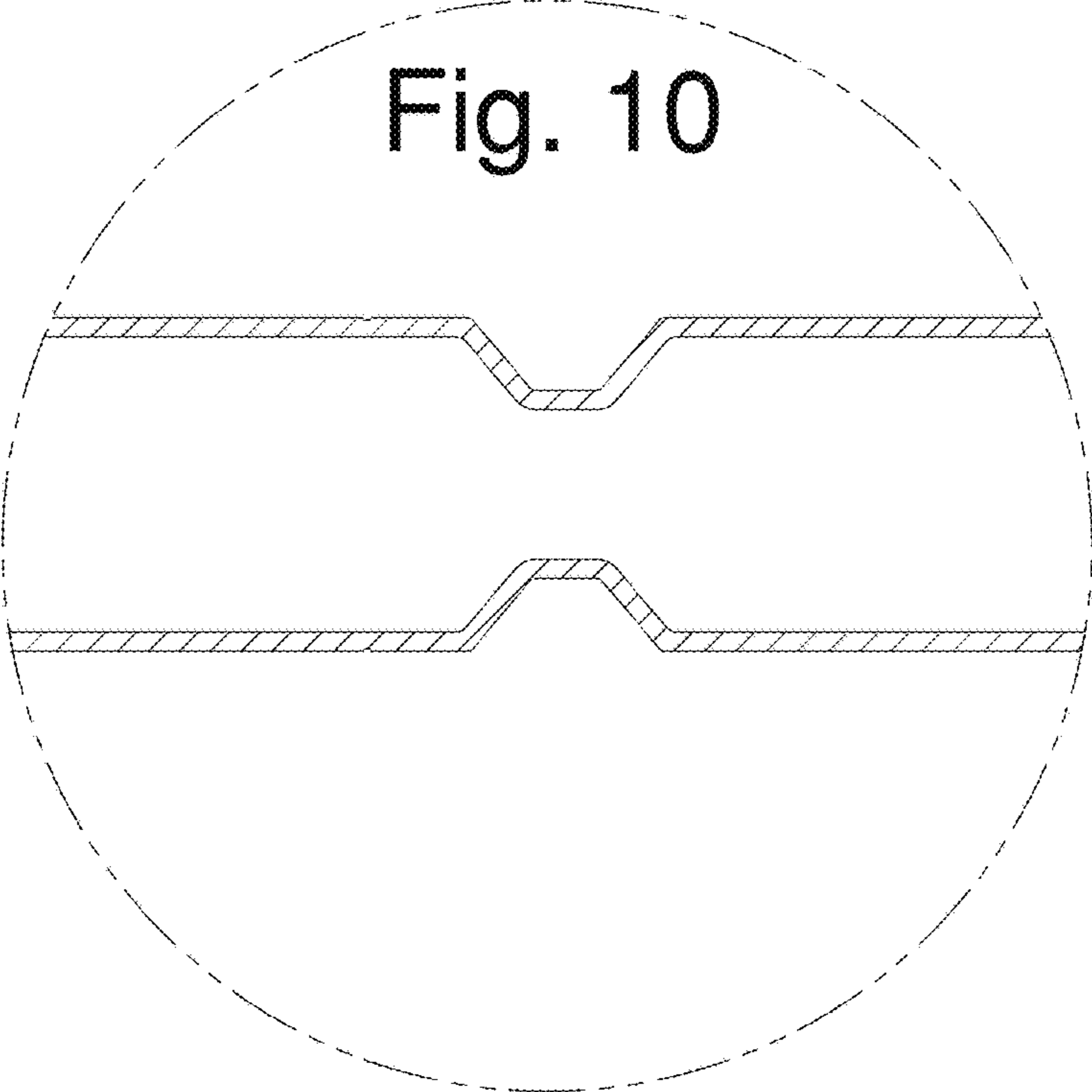
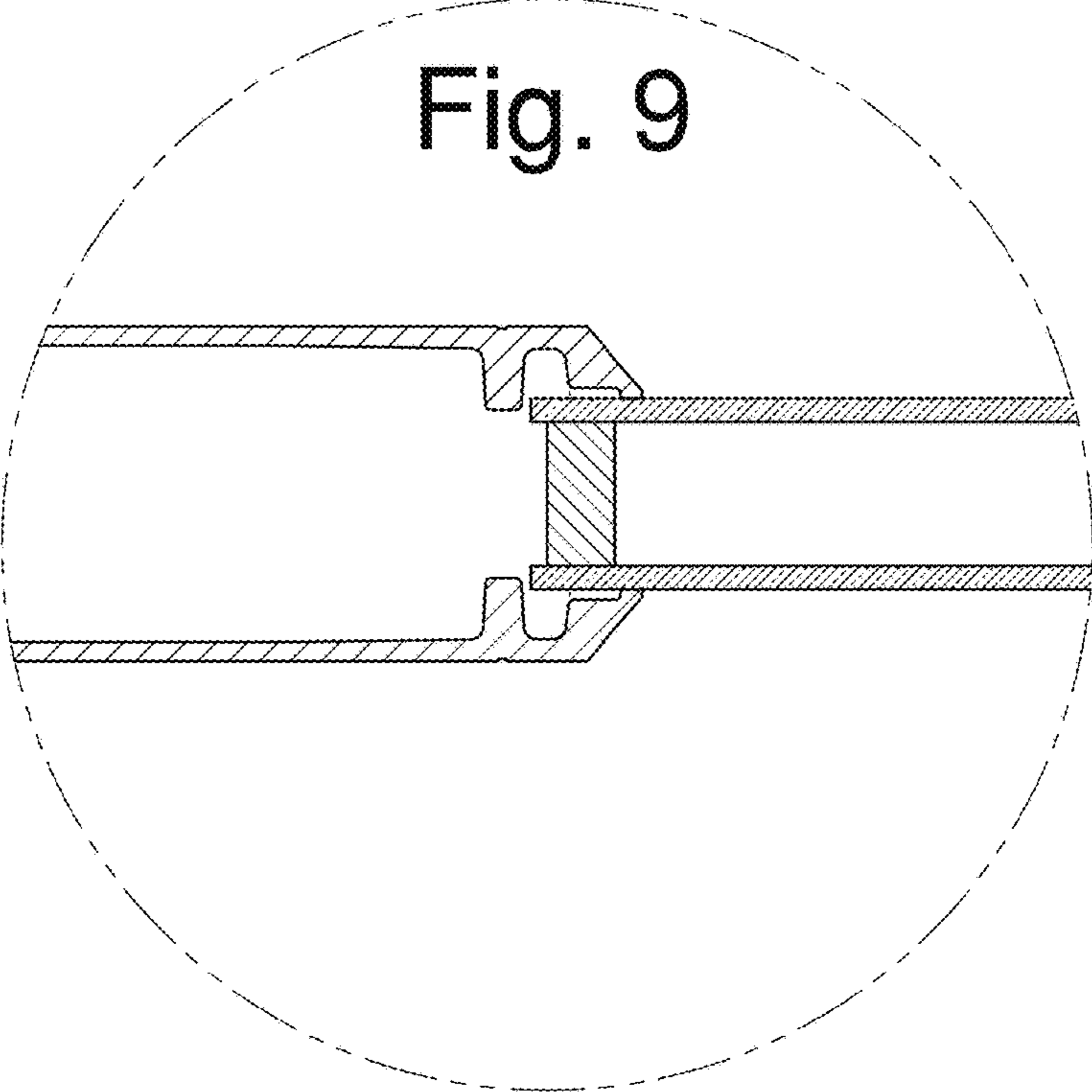


FIG. 11

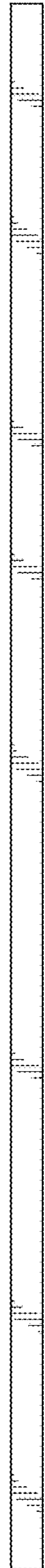
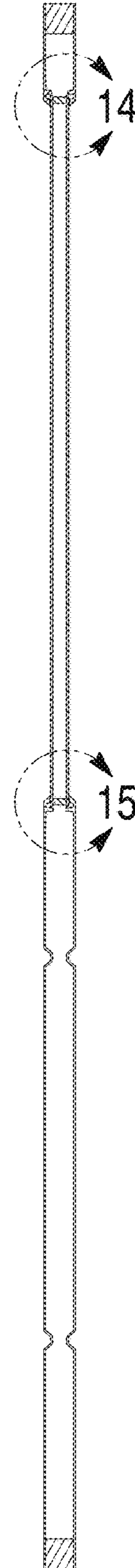


FIG. 12



FIG. 13



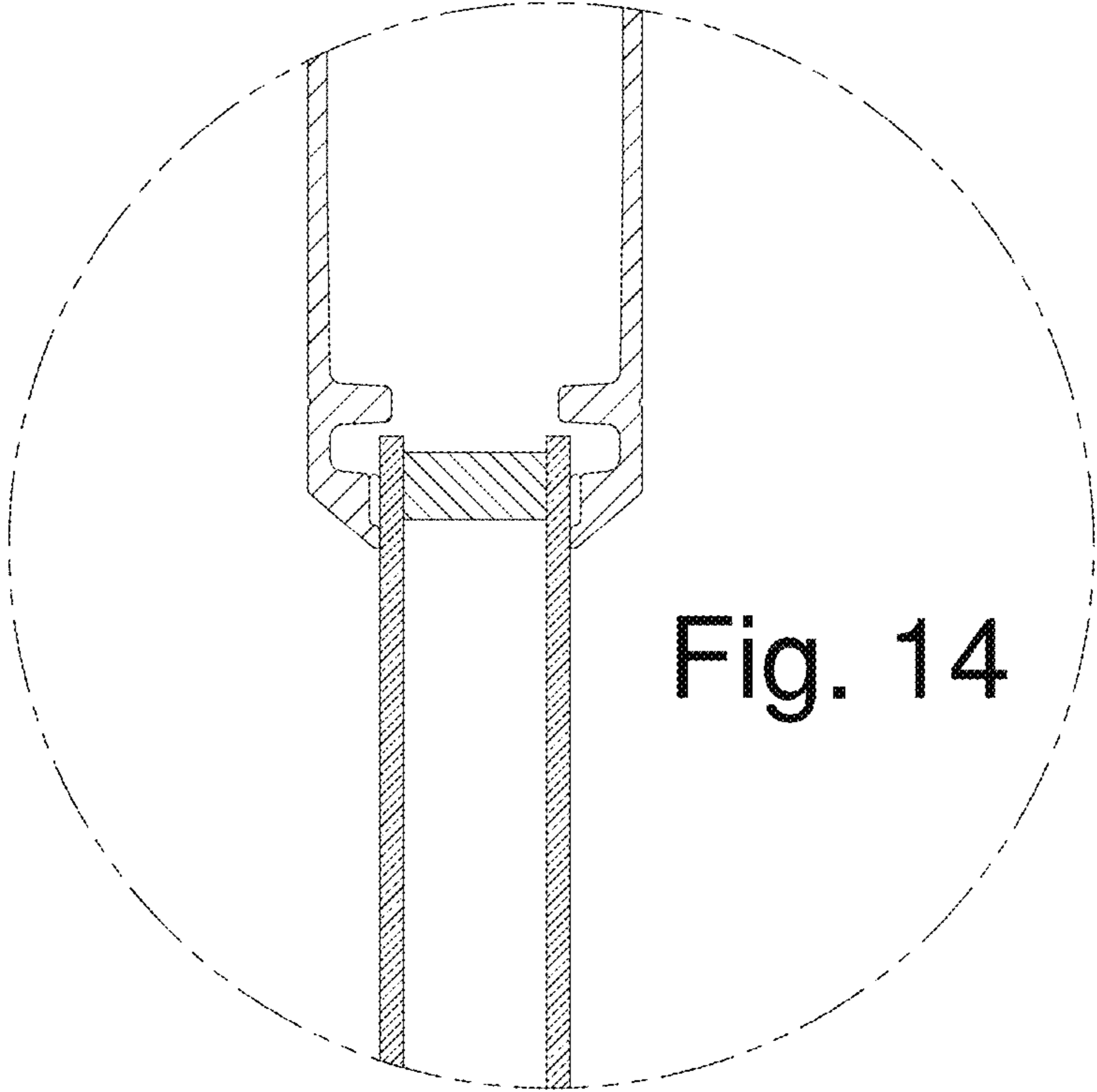


Fig. 14

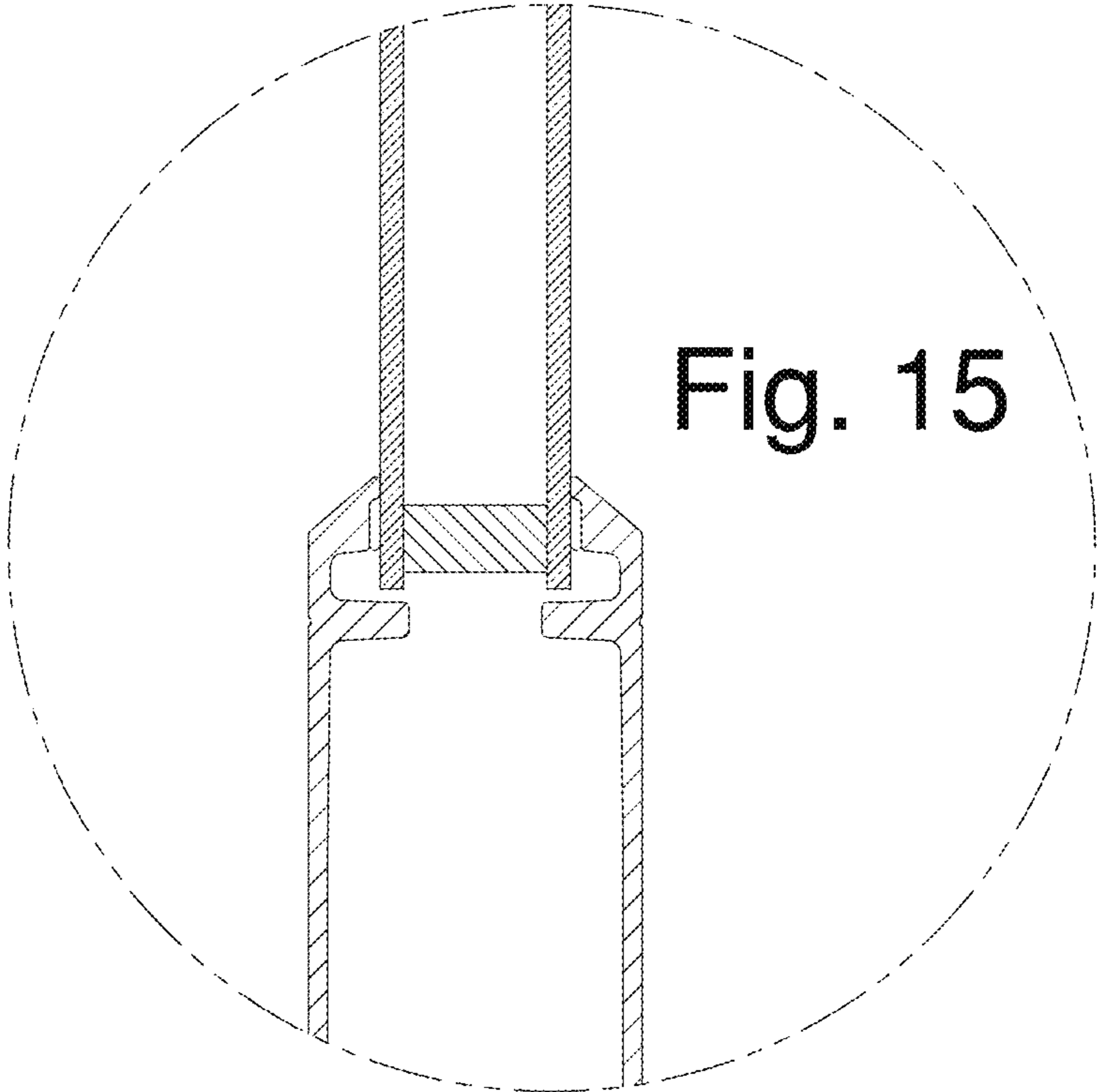


Fig. 15

FIG. 16

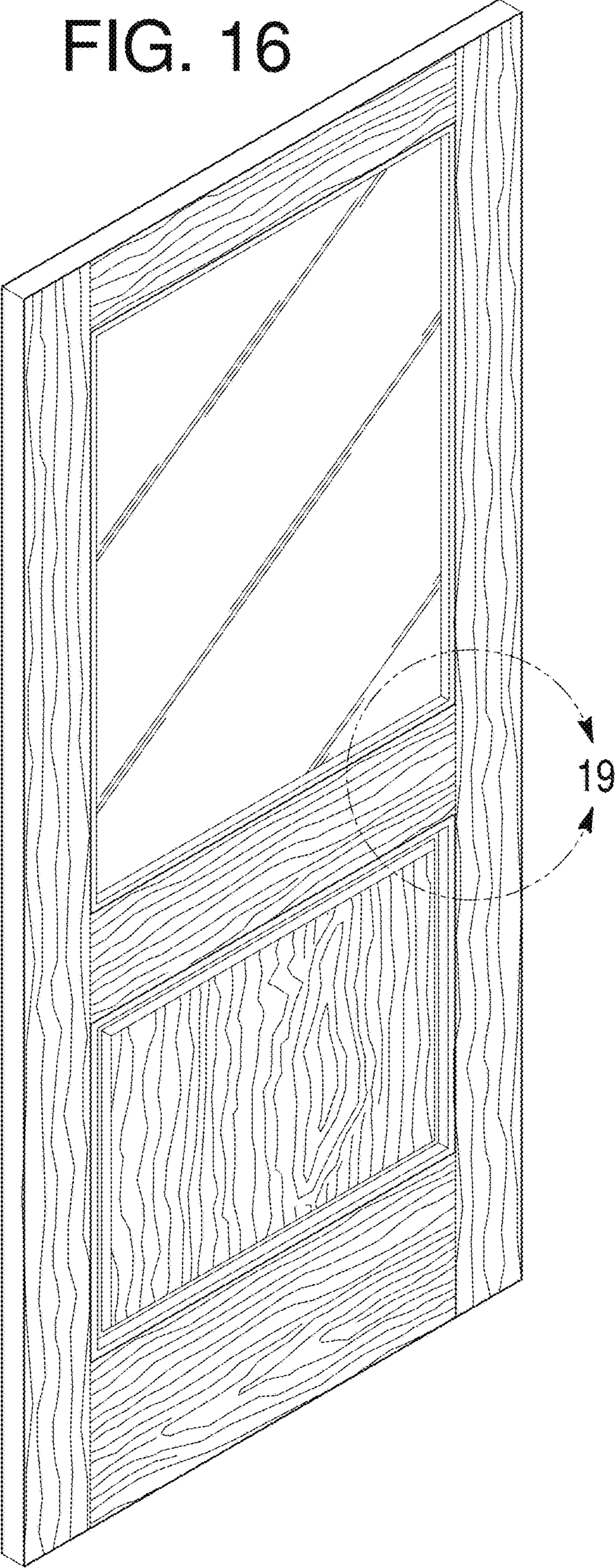


FIG. 17

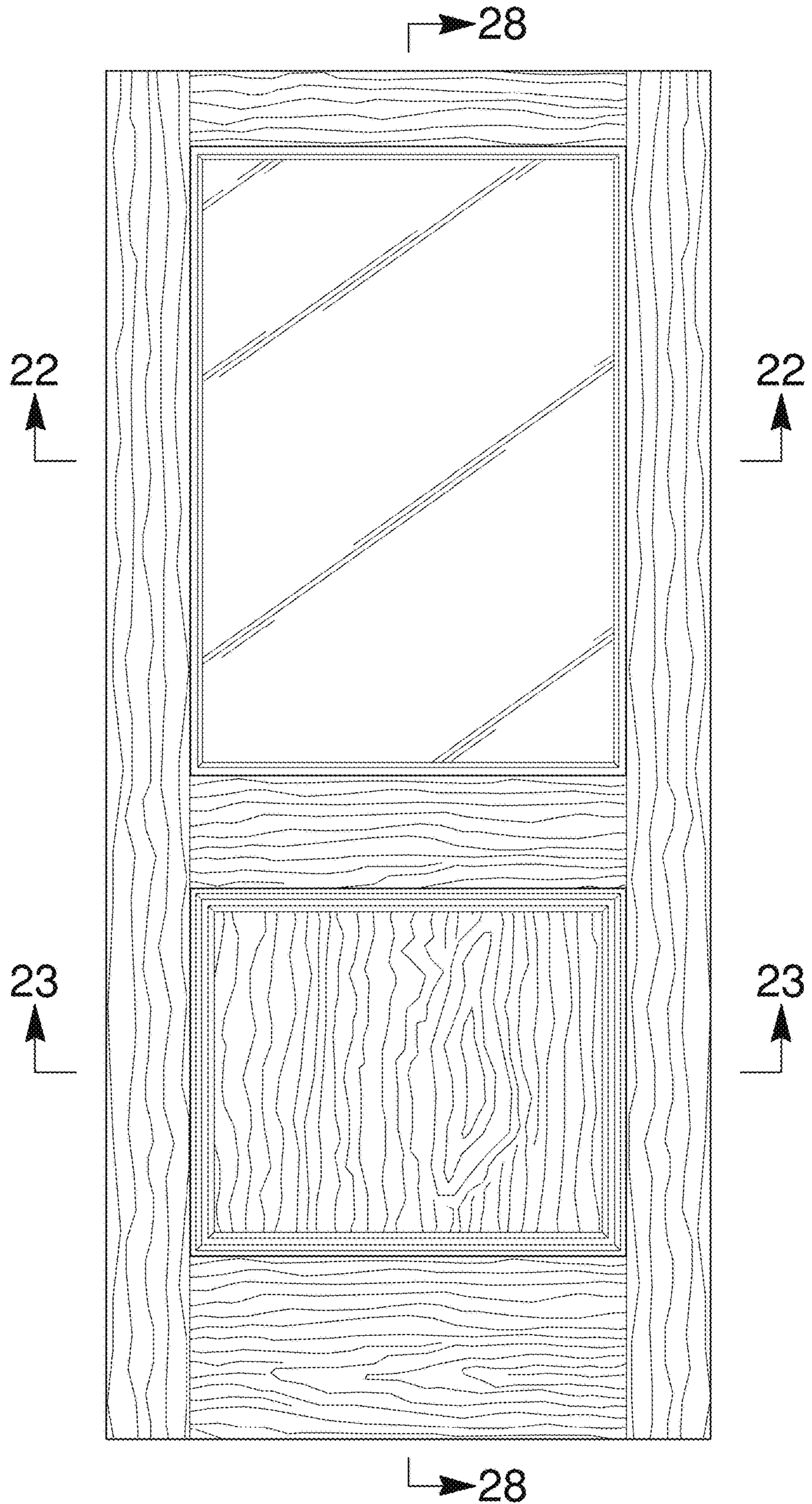


FIG. 18

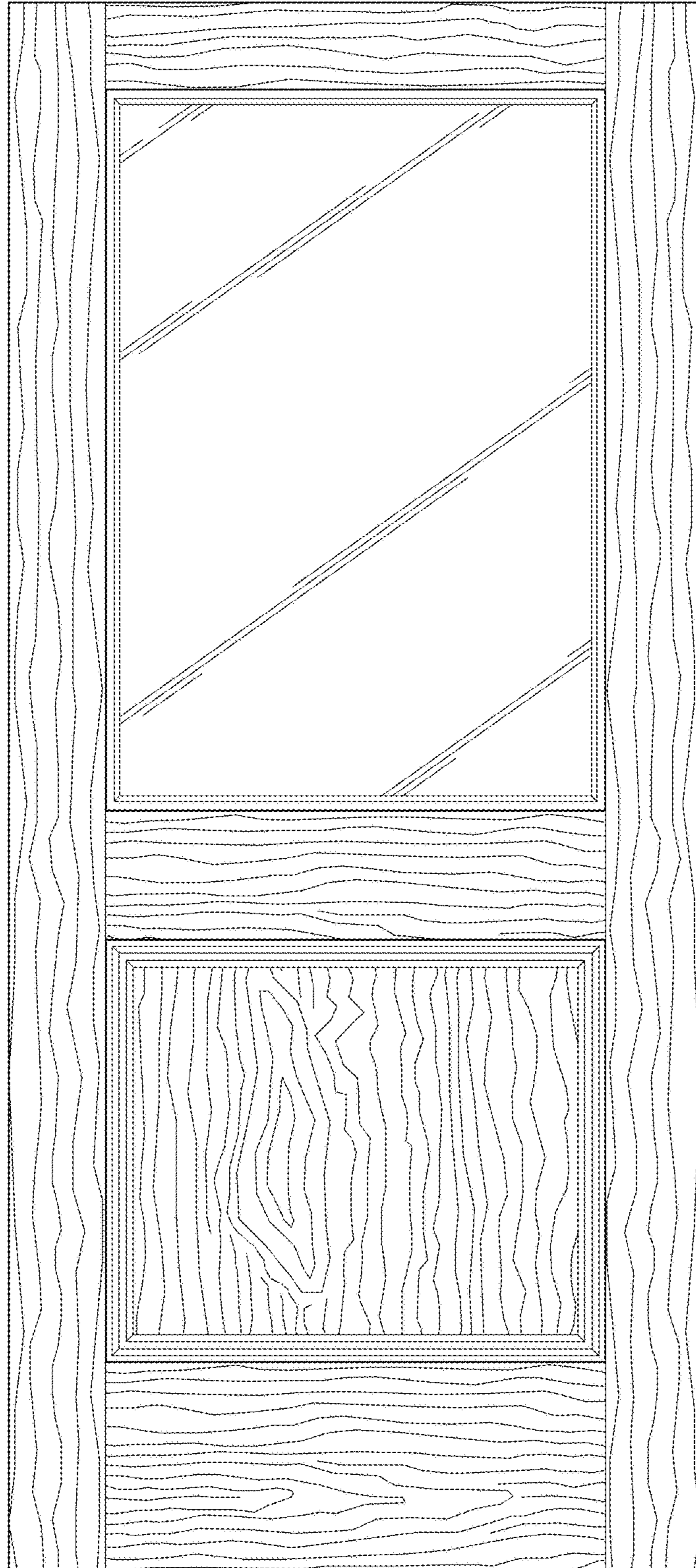


FIG. 19

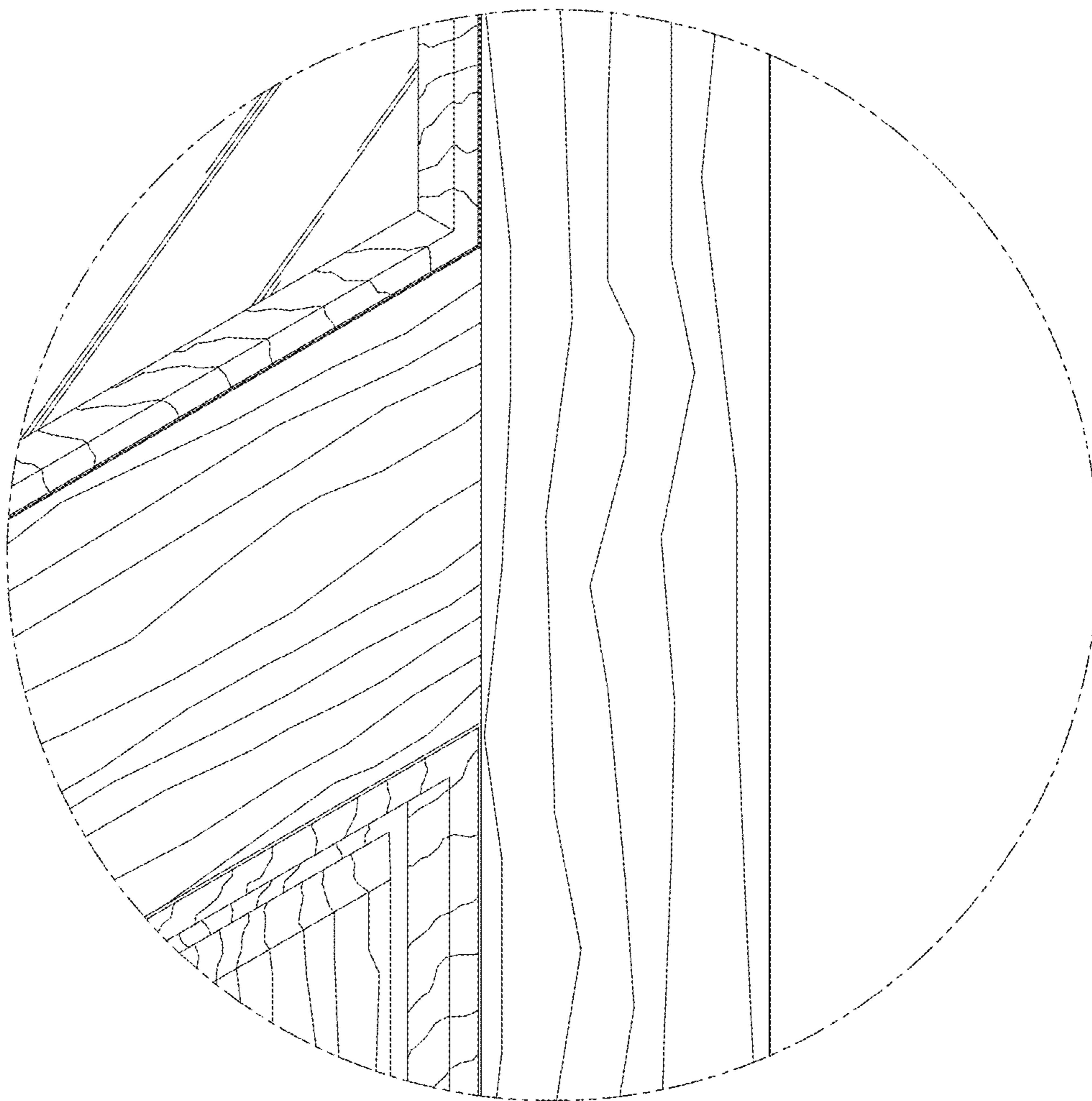


FIG. 20



FIG. 21



FIG. 22

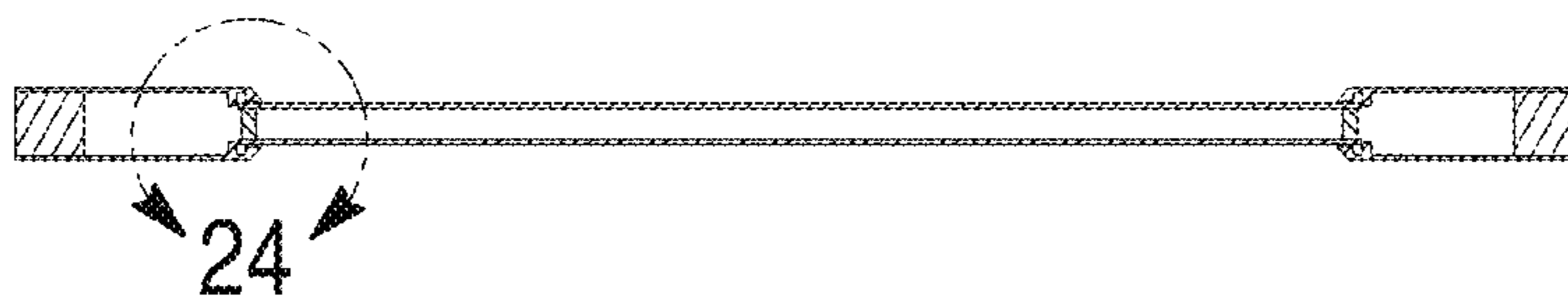
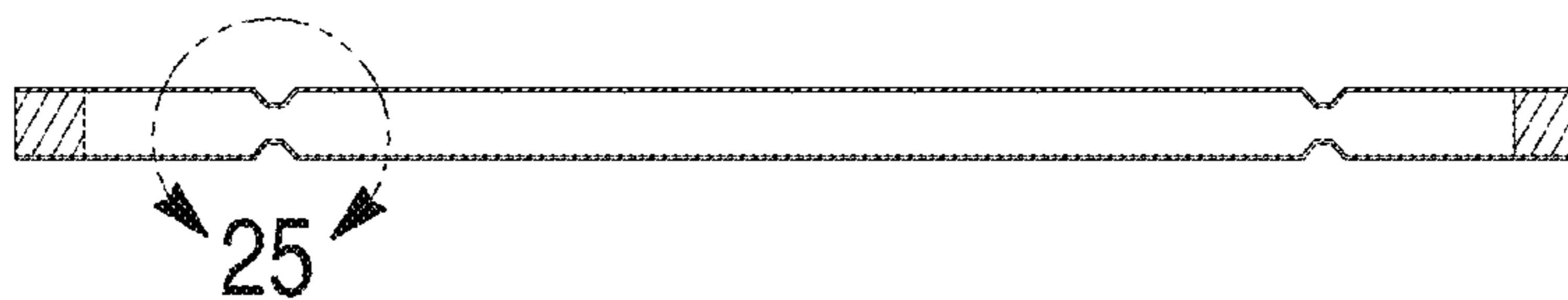


FIG. 23



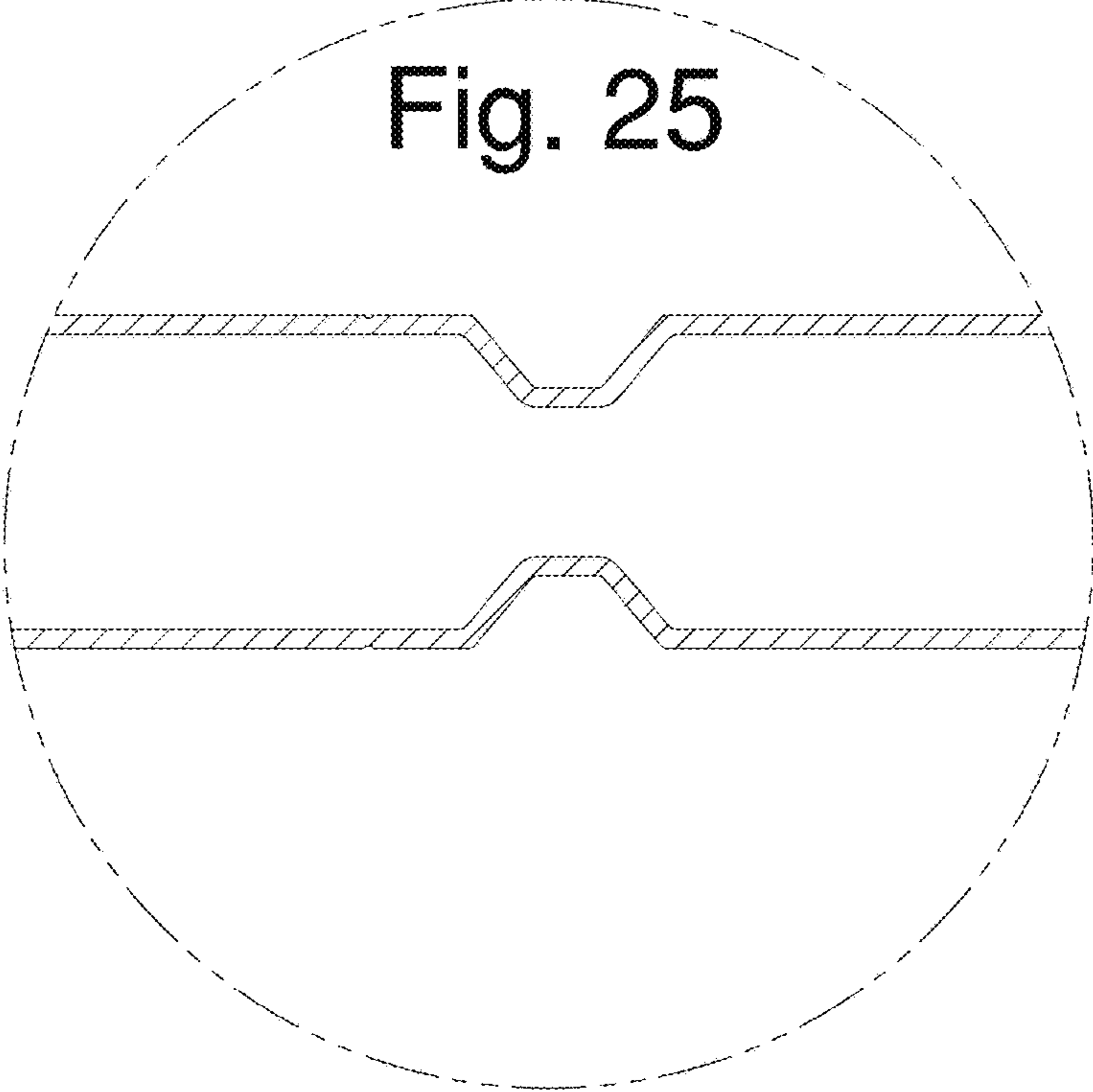
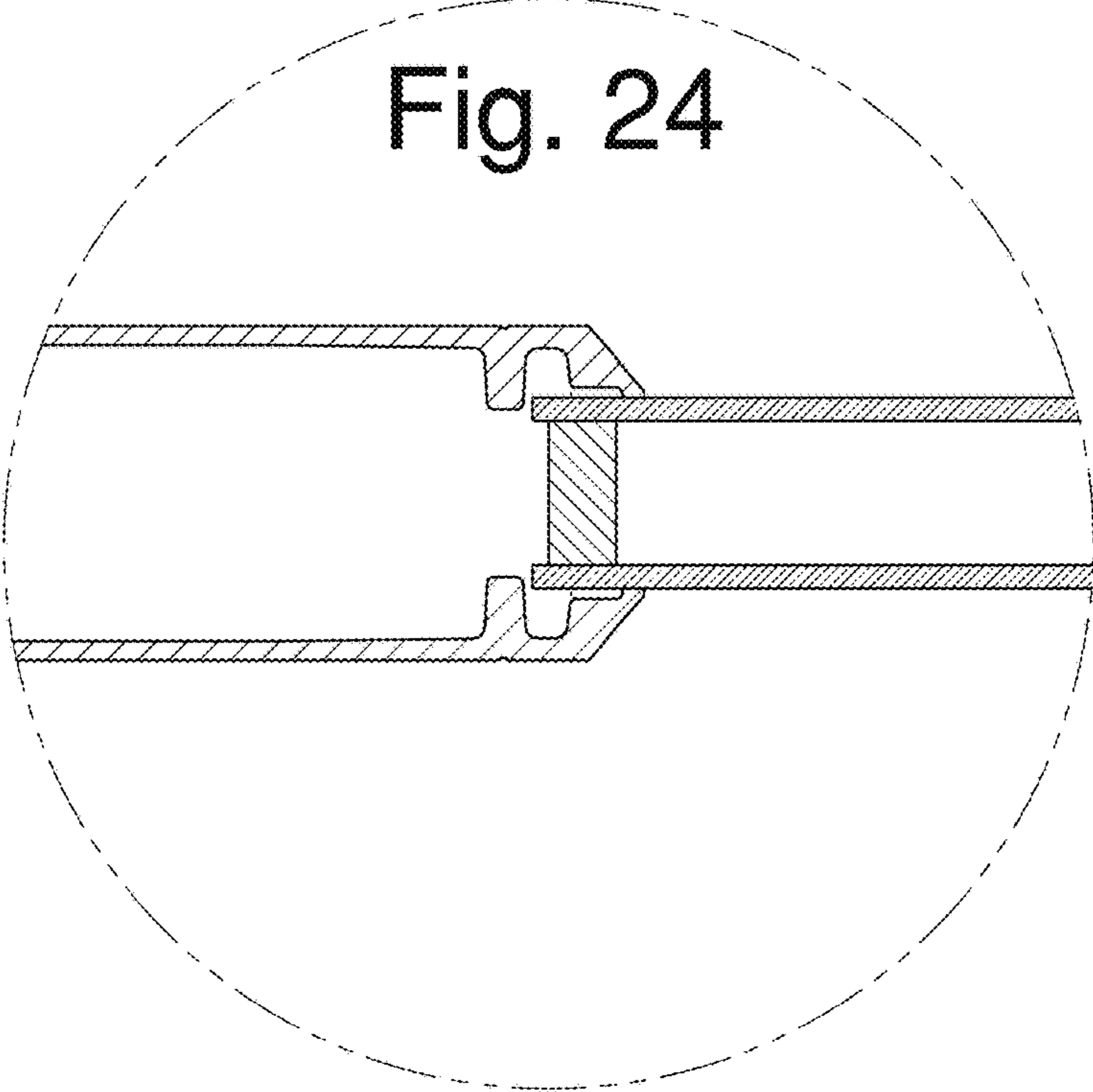


FIG. 26



FIG. 27



FIG. 28

