



US00D788319S

(12) **United States Design Patent**  
**LeMoine et al.**

(10) **Patent No.:** **US D788,319 S**  
(45) **Date of Patent:** **\*\* May 30, 2017**

- (54) **CANOPY**
- (71) Applicant: **ShelterLogic Corp.**, Watertown, CT (US)
- (72) Inventors: **George LeMoine**, Trumbull, CT (US);  
**Caroline Adams**, Pawling, NY (US)
- (73) Assignee: **ShelterLogic Corp.**, Watertown, CT (US)
- (\*\*) Term: **14 Years**
- (21) Appl. No.: **29/495,306**
- (22) Filed: **Jun. 30, 2014**
- (51) **LOC (10) Cl.** ..... **25-03**
- (52) **U.S. Cl.**  
USPC ..... **D25/18; D21/837**
- (58) **Field of Classification Search**  
USPC ..... D25/1, 4, 12, 15, 16-18, 21, 31-34, 56;  
D21/837; 52/86  
CPC ..... E04H 15/36; E04B 7/08; E04B 1/3205  
See application file for complete search history.

- 3,330,080 A \* 7/1967 Grieb ..... E04B 7/08  
52/86
- 3,464,168 A \* 9/1969 Lyons, Jr. .... E04B 1/3205  
52/223.7
- 4,404,980 A \* 9/1983 Wade ..... E04H 15/36  
135/117
- 5,295,335 A \* 3/1994 Collier ..... E04H 1/1205  
52/86
- D458,688 S \* 6/2002 Phifer ..... D25/4
- 7,296,584 B2 \* 11/2007 Goldwitz ..... E04H 15/44  
135/121
- D568,495 S \* 5/2008 Kennedy ..... D25/1
- 7,628,166 B2 \* 12/2009 Carter ..... E04H 15/36  
135/124
- D681,762 S \* 5/2013 Kayser ..... D21/837
- D761,144 S \* 7/2016 Allen ..... D25/18
- D761,372 S \* 7/2016 Cihal ..... D21/837

\* cited by examiner

*Primary Examiner* — Susan Bennett Hattan  
*Assistant Examiner* — Brett Miller  
(74) *Attorney, Agent, or Firm* — Carmody Torrance  
Sandak & Hennessey LLP

(57) **CLAIM**

The ornamental design for a canopy, as shown and described.

(56) **References Cited**

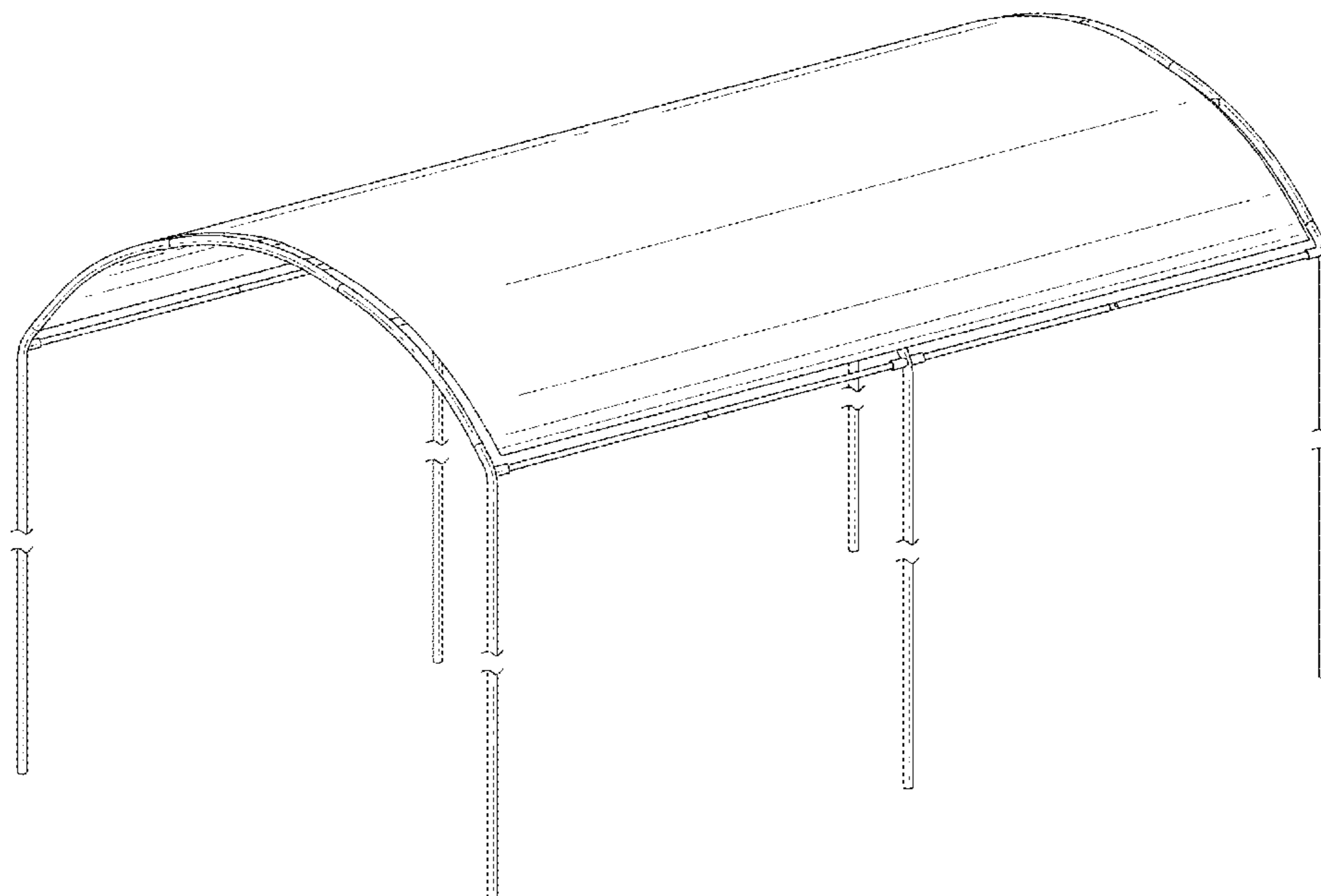
U.S. PATENT DOCUMENTS

- 2,827,138 A \* 3/1958 Roy, Jr. .... A01G 9/16  
52/86
- D185,630 S \* 7/1959 Dortewitz ..... D25/34
- 2,988,810 A \* 6/1961 Wilken ..... E04B 7/08  
D25/56
- D192,074 S \* 1/1962 Pelley ..... D25/18
- 3,059,657 A \* 10/1962 Turner ..... E04H 15/22  
D25/18
- 3,255,769 A \* 6/1966 Lloyd ..... E04H 15/36  
135/138

**DESCRIPTION**

FIG. 1 is a perspective view of a canopy showing my new design;  
FIG. 2 is a top plan view thereof;  
FIG. 3 is a first side elevational view thereof, with the opposite side elevational view being in mirror image;  
FIG. 4 is a bottom plan view thereof; and,  
FIG. 5 is a first end elevational view thereof, with the second end elevational view being identical.

**1 Claim, 5 Drawing Sheets**



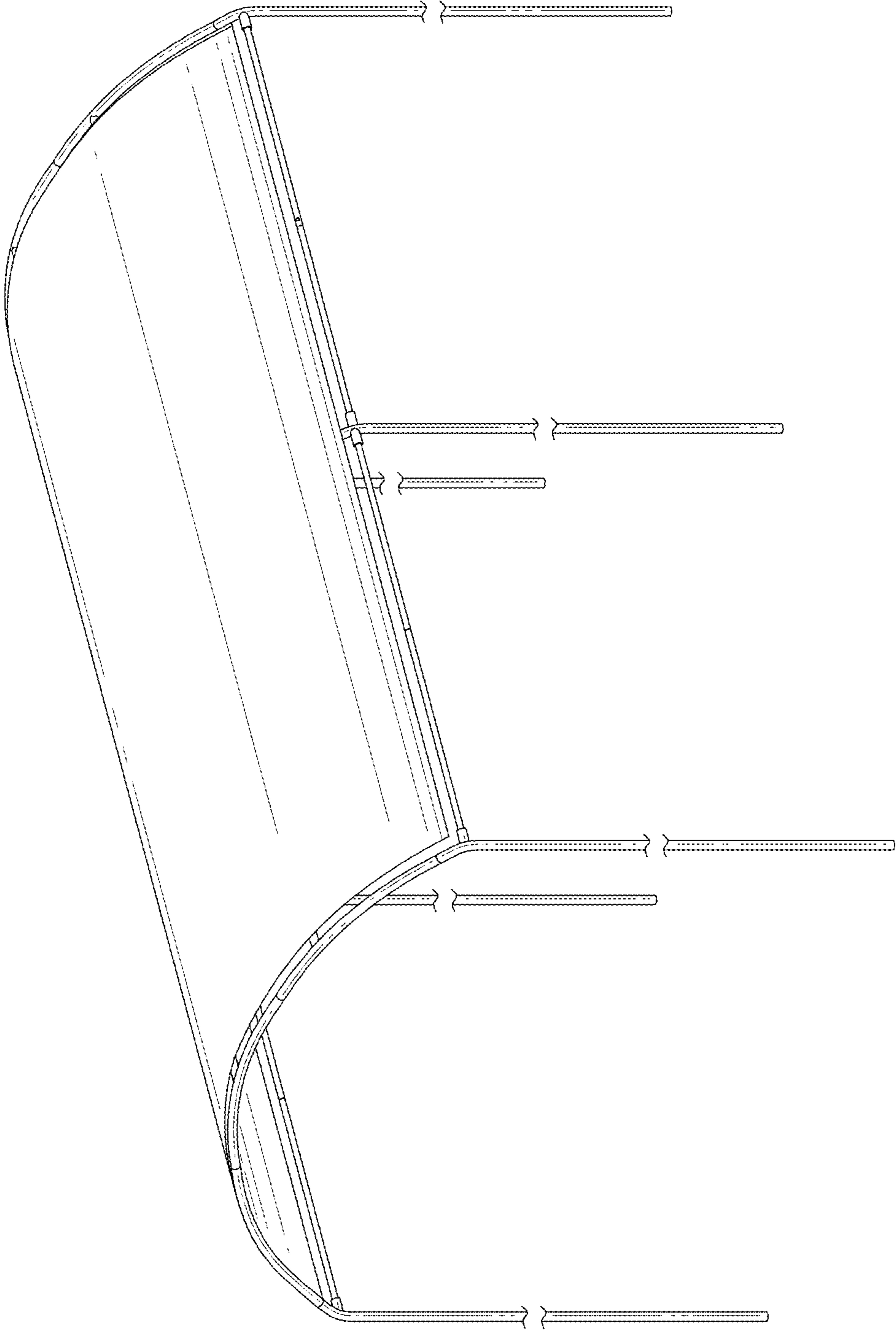
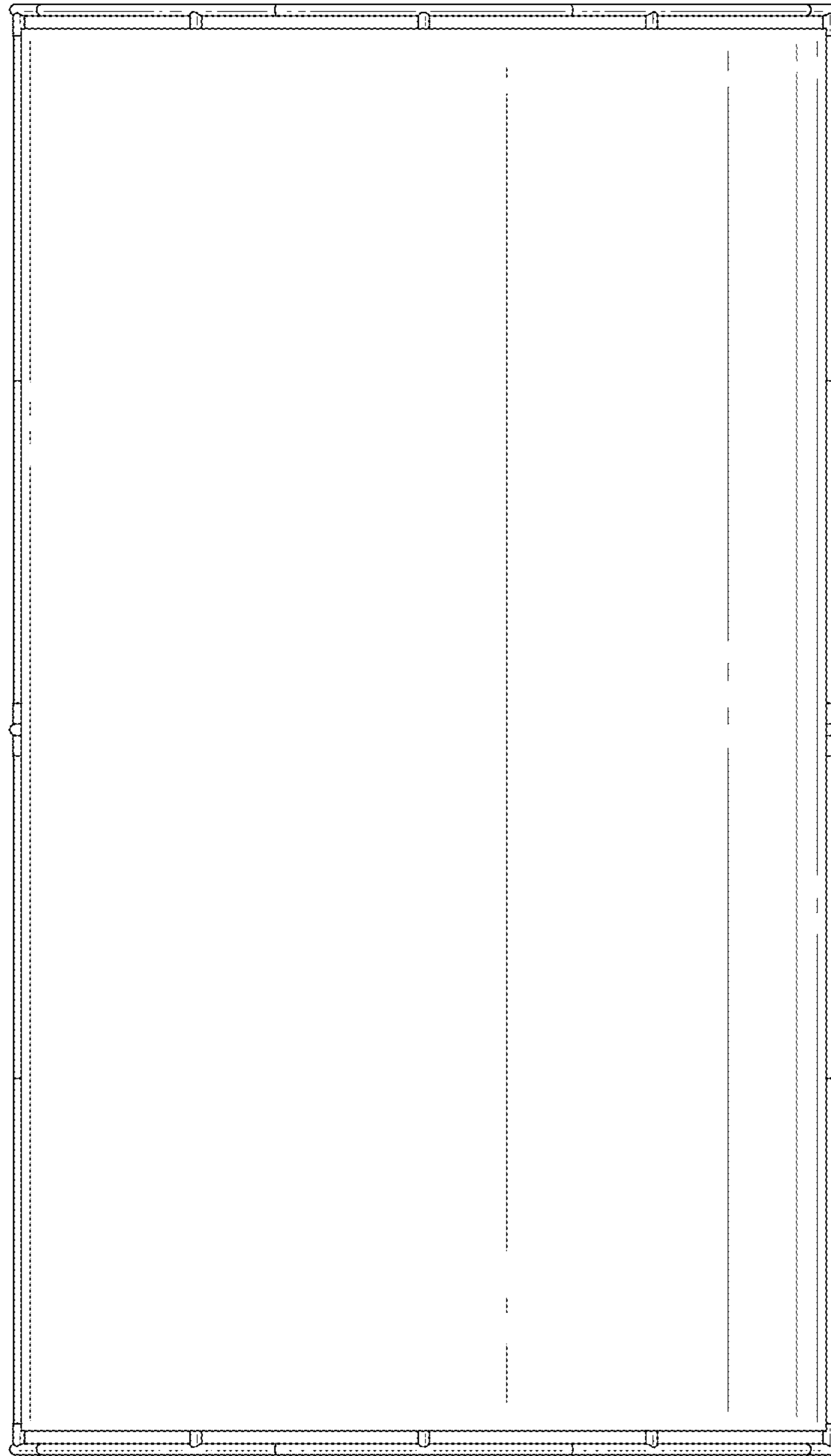


FIG. 1



*FIG. 2*

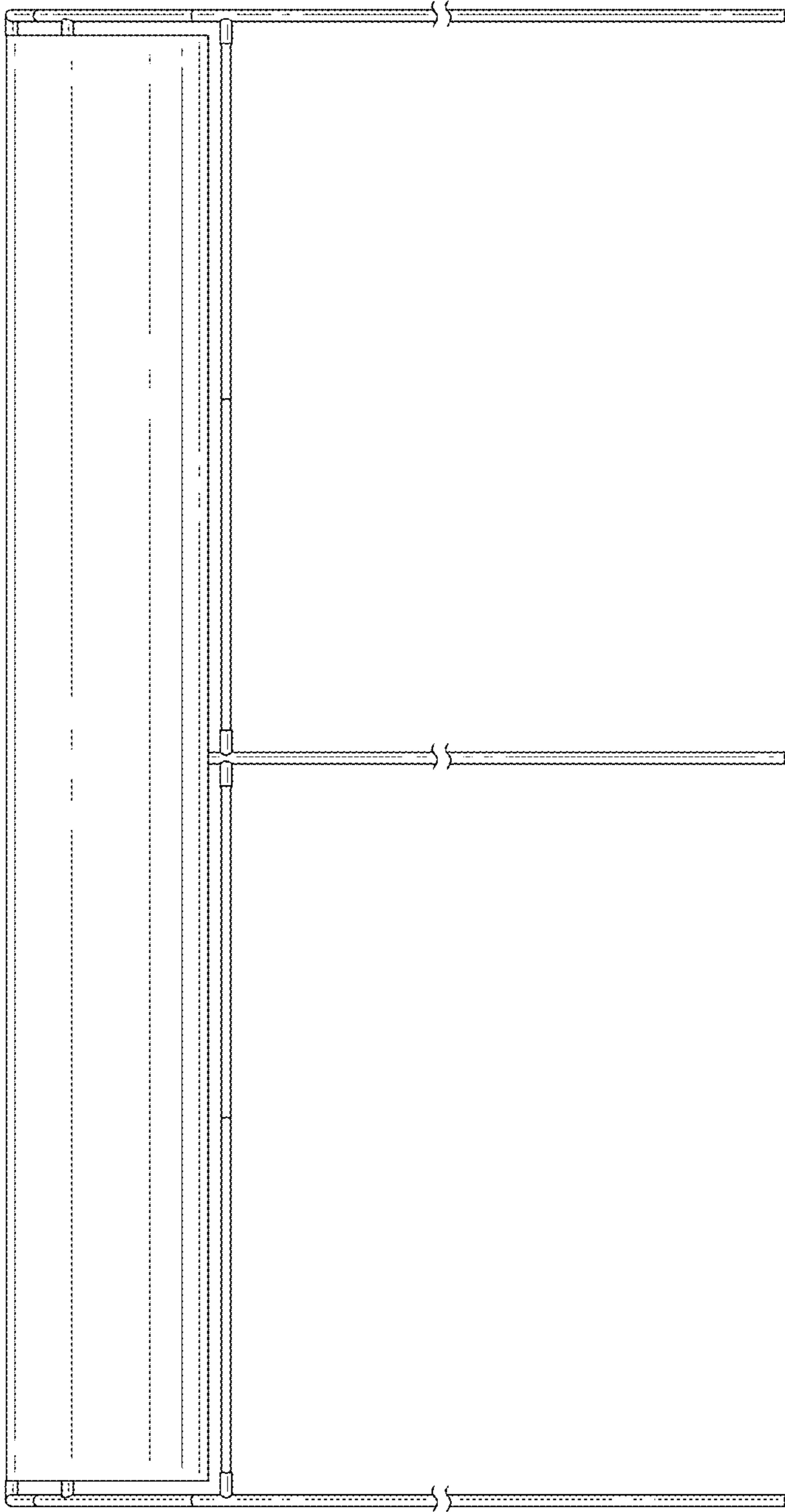
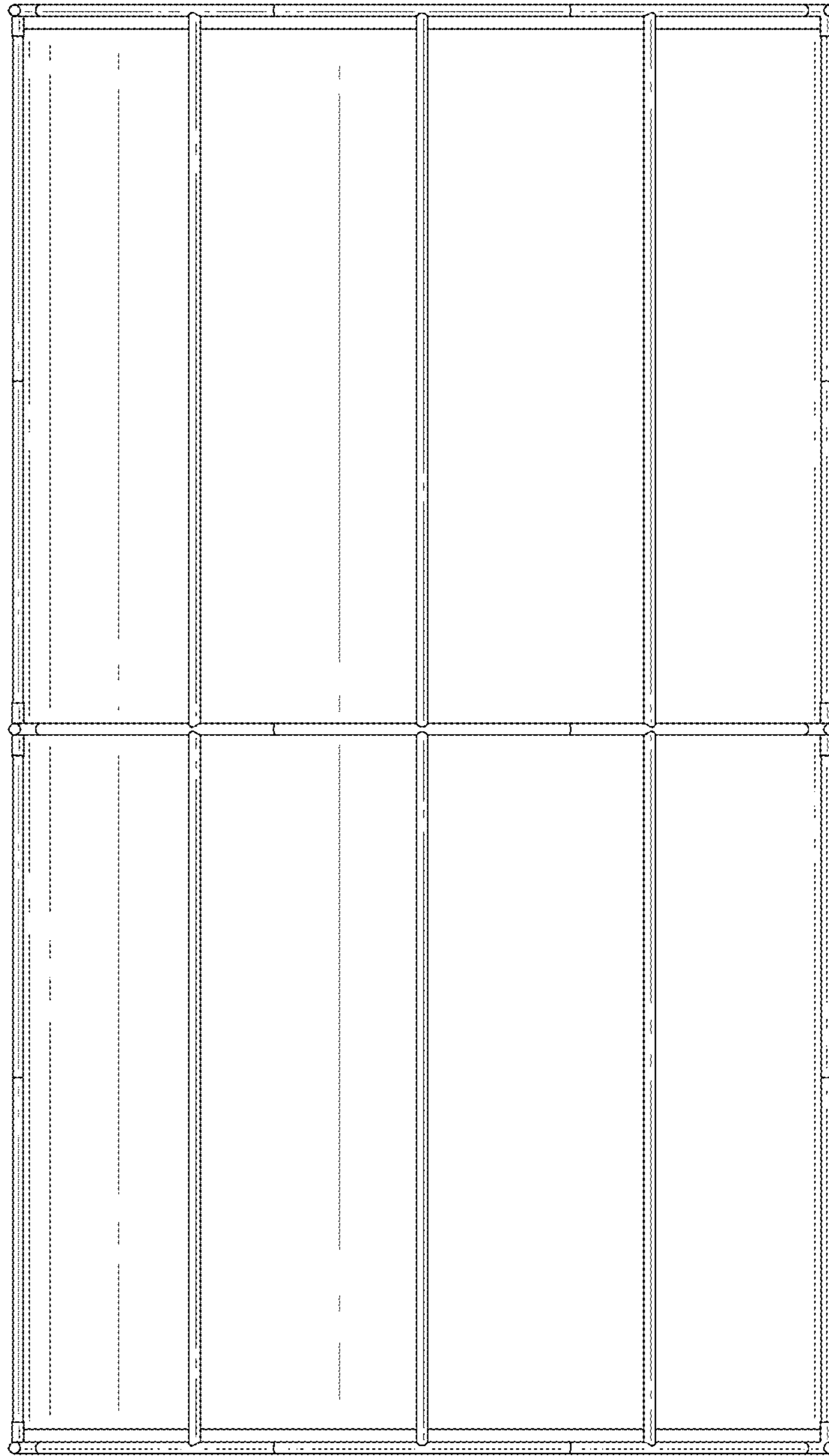
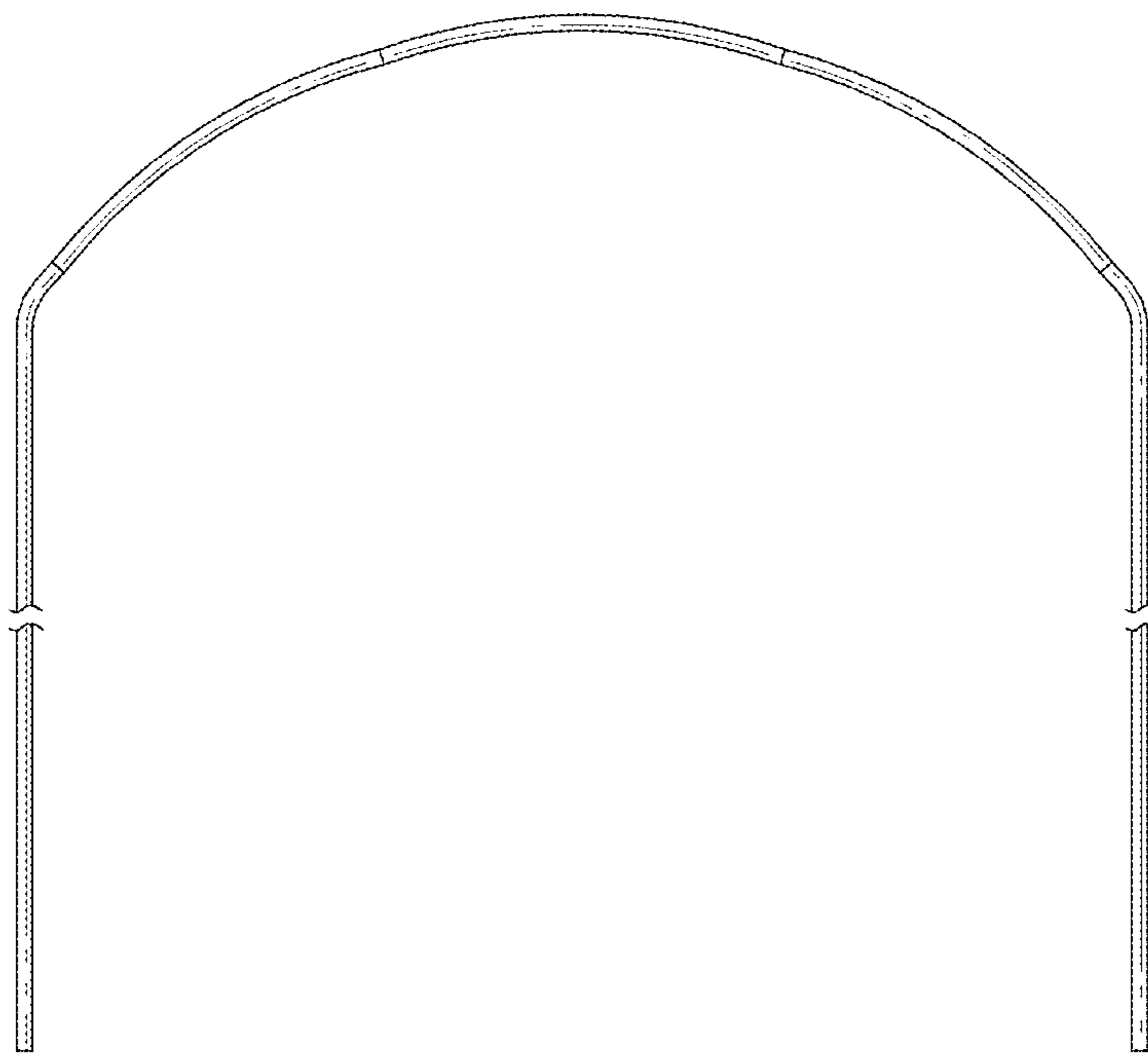


FIG. 3



*FIG. 4*



*FIG. 5*