



US00D788315S

(12) **United States Design Patent**  
**Matsuura**

(10) **Patent No.:** **US D788,315 S**

(45) **Date of Patent:** **\*\* May 30, 2017**

(54) **LID DEVICE FOR ANALYZER CONTAINER**

85/20; B65D 85/42; B65D 71/72; B65D  
50/041; A61M 5/1782

See application file for complete search history.

(71) Applicant: **Sysmex Corporation**, Kobe-shi, Hyogo  
(JP)

(72) Inventor: **Hiroyuki Matsuura**, Kobe (JP)

(73) Assignee: **SYSMEX CORPORATION**, Hyogo  
(JP)

(\*\*) Term: **14 Years**

(21) Appl. No.: **29/479,881**

(22) Filed: **Jan. 21, 2014**

(30) **Foreign Application Priority Data**

Jul. 24, 2013 (JP) ..... 2013-016863

(51) **LOC (10) Cl.** ..... **24-02**

(52) **U.S. Cl.**  
USPC ..... **D24/224**

(58) **Field of Classification Search**  
USPC ..... D24/216, 219, 222-232, 121-122, 217,  
D24/108; D3/203.1-203.8, 315,  
D3/302-304, 308-312; 422/300, 297,  
422/500, 509, 547-566, 400, 502, 934;  
D9/544, 900, 719, 503-504, 522, 723;  
211/126.1; 206/443, 446, 528, 438, 557,  
206/562-563, 363-365; 435/283.1,  
435/287.2, 289.1, 805; 222/434; D28/7;  
73/864; 141/22  
CPC ..... B01L 3/0282; B01L 2300/0816; B01L  
3/50825; B01L 3/5021; B01L 3/5082;  
B01L 3/5085; B01L 3/505; B01L 9/06;  
A61L 2/26; G01N 35/10; G01N 35/1002;  
G01N 33/5302; A47F 5/0025; B65D

(56) **References Cited**

U.S. PATENT DOCUMENTS

3,101,751 A \* 8/1963 Ballin ..... B01L 3/0282  
422/934  
4,286,633 A \* 9/1981 Herr ..... B65D 50/041  
422/934  
D281,534 S \* 11/1985 Ushikubo ..... D24/224

(Continued)

*Primary Examiner* — Ian Simmons

*Assistant Examiner* — Mark Cavanna

(74) *Attorney, Agent, or Firm* — Brinks Gilson & Lione

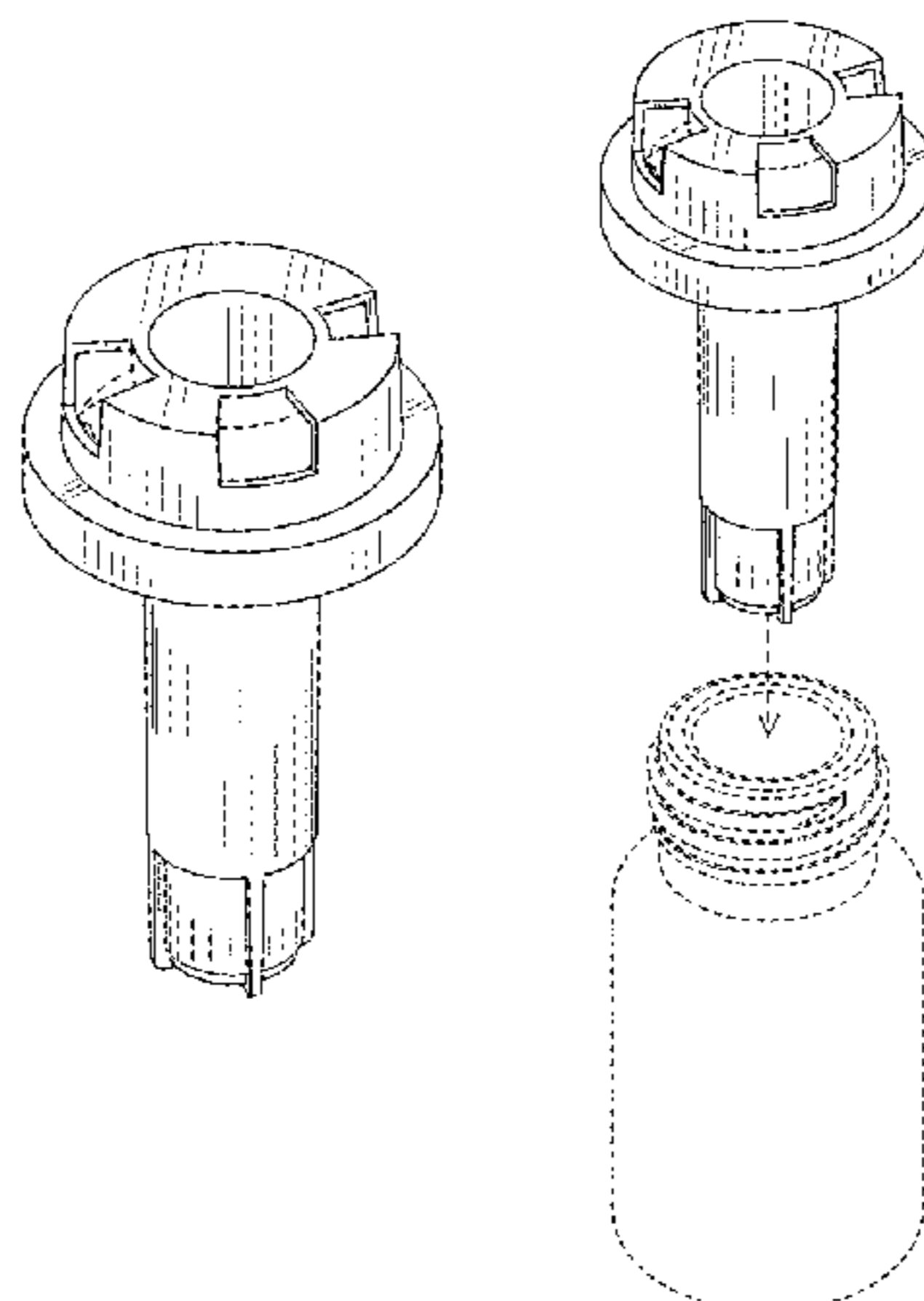
(57) **CLAIM**

The ornamental design for a lid device for analyzer con-  
tainer, as shown and described.

**DESCRIPTION**

FIG. 1 is a perspective view of a lid device for analyzer  
container of the present invention;  
FIG. 2 is a front view thereof;  
FIG. 3 is a rear view thereof;  
FIG. 4 is a right side view thereof;  
FIG. 5 is a left side view thereof;  
FIG. 6 is a top plan view thereof;  
FIG. 7 is a bottom plan view thereof;  
FIG. 8 is the same perspective view of the lid device for  
analyzer container shown in FIG. 1 with environmental  
structure included;  
FIG. 9 is the same perspective view of the lid device for  
analyzer container shown in FIG. 1 shown in a condition of  
use with the environmental structure seen in FIG. 8; and,  
FIG. 10 is a cross-sectional view taken along line 10-10 of  
FIG. 2 of the lid device for analyzer container shown in a  
condition of use with the environmental structure.  
The broken lines are included for the purpose of illustrating  
environmental context for the container for analyzer that

(Continued)



forms no party of the claimed design. Additionally, the unevenly broken lines in the drawings define the limits of the claimed design.

**1 Claim, 5 Drawing Sheets**

(56)

**References Cited**

U.S. PATENT DOCUMENTS

D285,115 S \* 8/1986 Proud ..... D24/224  
 D286,072 S \* 10/1986 Miller ..... D24/224  
 4,859,610 A \* 8/1989 Maggio ..... G01N 33/5302  
 422/562  
 D337,258 S \* 7/1993 Mansau ..... D9/544  
 5,392,966 A \* 2/1995 Bunin ..... G01F 11/268  
 222/434  
 D383,214 S \* 9/1997 Brennan ..... D24/224  
 D401,697 S \* 11/1998 Cloonan ..... D24/224  
 D416,793 S \* 11/1999 Faughey ..... D9/900  
 D425,618 S \* 5/2000 Niermann ..... D24/122  
 D431,299 S \* 9/2000 Lammie ..... D24/224

6,273,152 B1 \* 8/2001 Buehler ..... A61M 5/1782  
 141/22  
 D513,385 S \* 1/2006 Garcia ..... D9/504  
 D518,730 S \* 4/2006 Caserta ..... D9/522  
 D532,305 S \* 11/2006 Fellows ..... D9/503  
 D545,448 S \* 6/2007 Eriksson ..... D24/224  
 D558,357 S \* 12/2007 Byrd ..... D24/224  
 D559,397 S \* 1/2008 Eriksson ..... D24/224  
 D562,462 S \* 2/2008 Muir ..... D24/224  
 D583,481 S \* 12/2008 Yamamoto ..... D24/224  
 D590,269 S \* 4/2009 Pavone ..... D28/7  
 D613,183 S \* 4/2010 Overgaard ..... D9/719  
 D613,873 S \* 4/2010 Jia ..... D24/224  
 D618,560 S \* 6/2010 Pender ..... D9/719  
 D621,283 S \* 8/2010 Overgaard ..... D9/719  
 D628,089 S \* 11/2010 Ashiwa ..... D9/723  
 D643,296 S \* 8/2011 Newton ..... D9/522  
 D652,148 S \* 1/2012 Matsuura ..... D24/224  
 D672,052 S \* 12/2012 Bucher ..... D24/224  
 D679,413 S \* 4/2013 Bucher ..... D24/224  
 D686,509 S \* 7/2013 Ashiwa ..... D9/723  
 D741,993 S \* 10/2015 Tominaga ..... D24/108  
 2003/0213312 A1 \* 11/2003 DeYoung ..... B01L 3/5082  
 73/864

\* cited by examiner

FIG.1

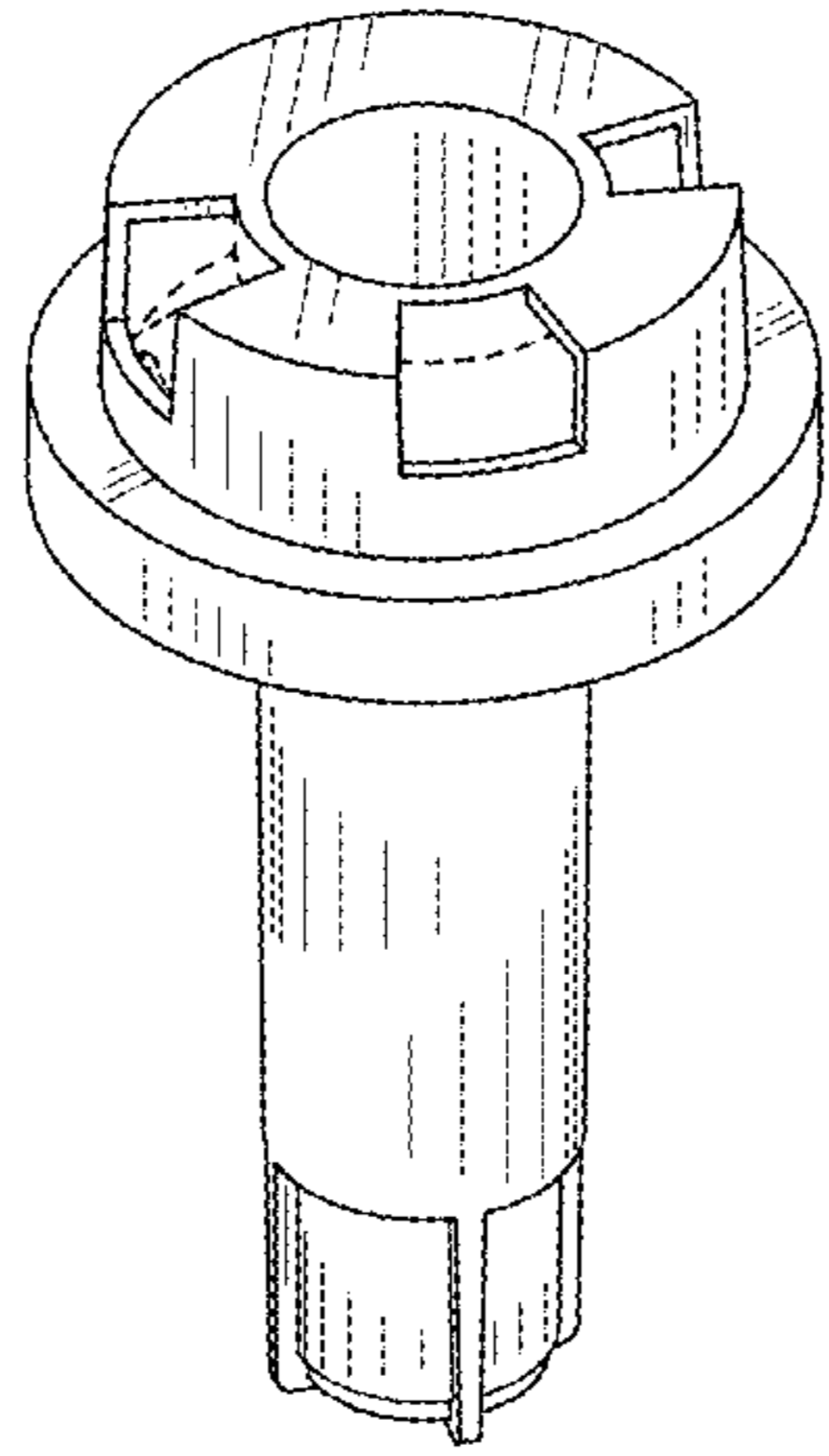


FIG.2

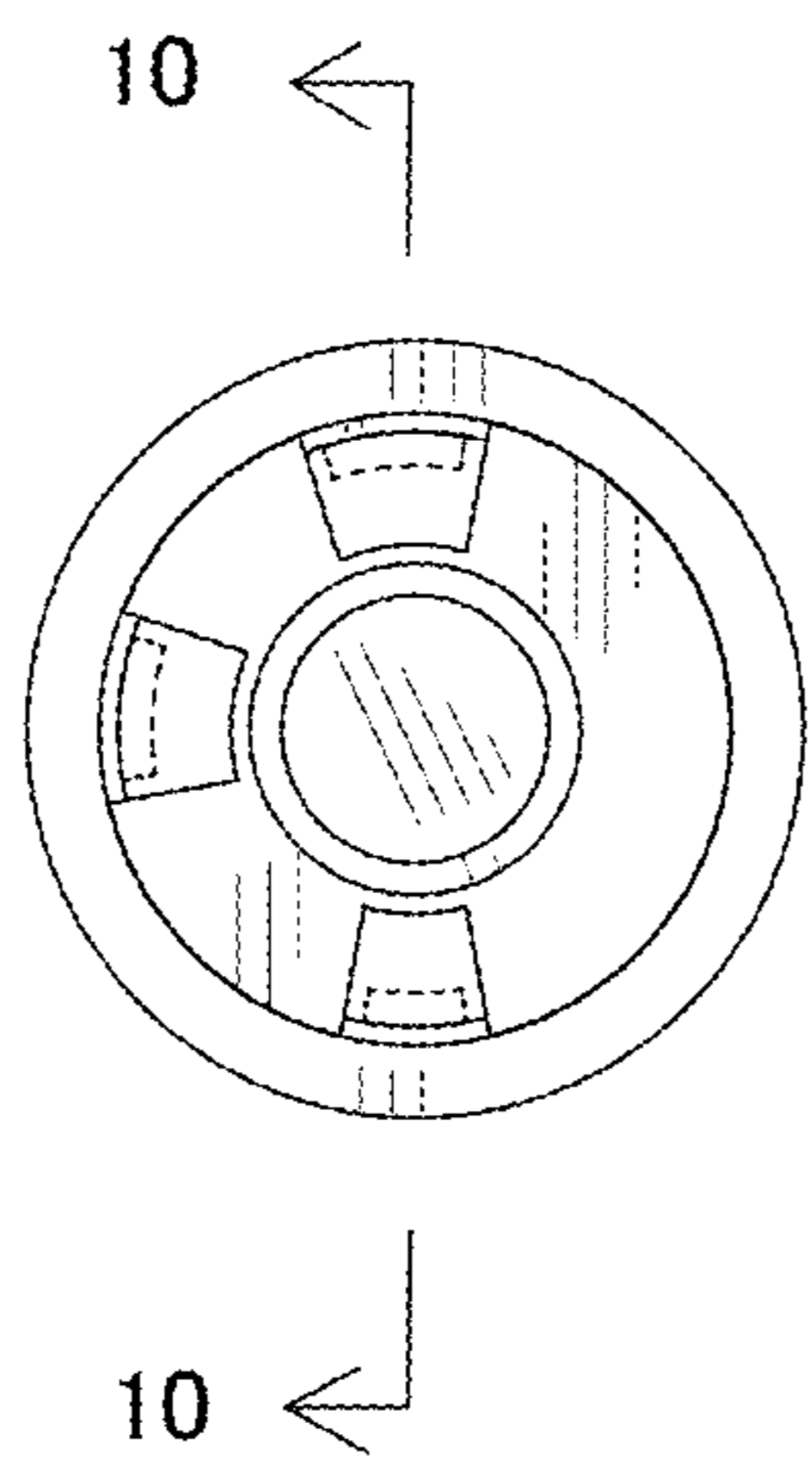


FIG.3

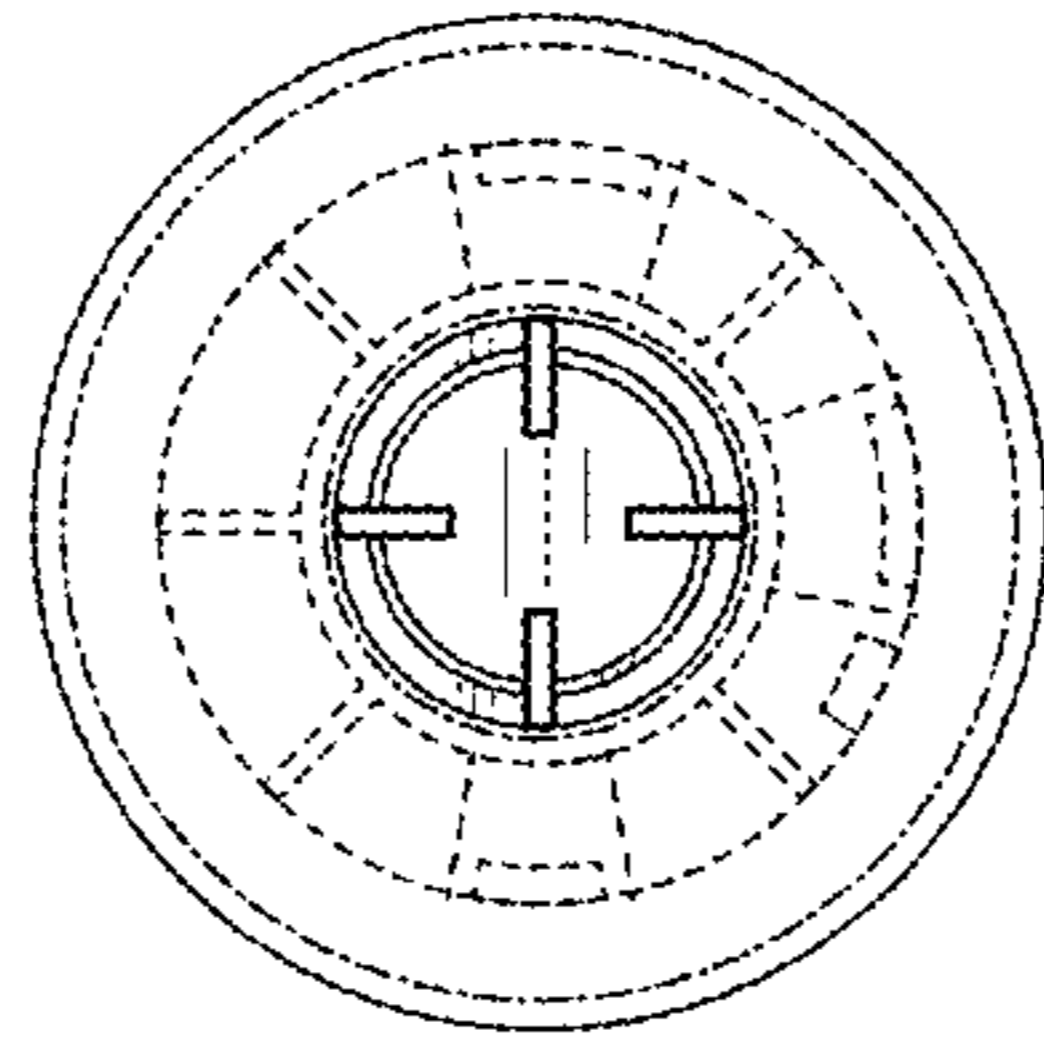


FIG.4

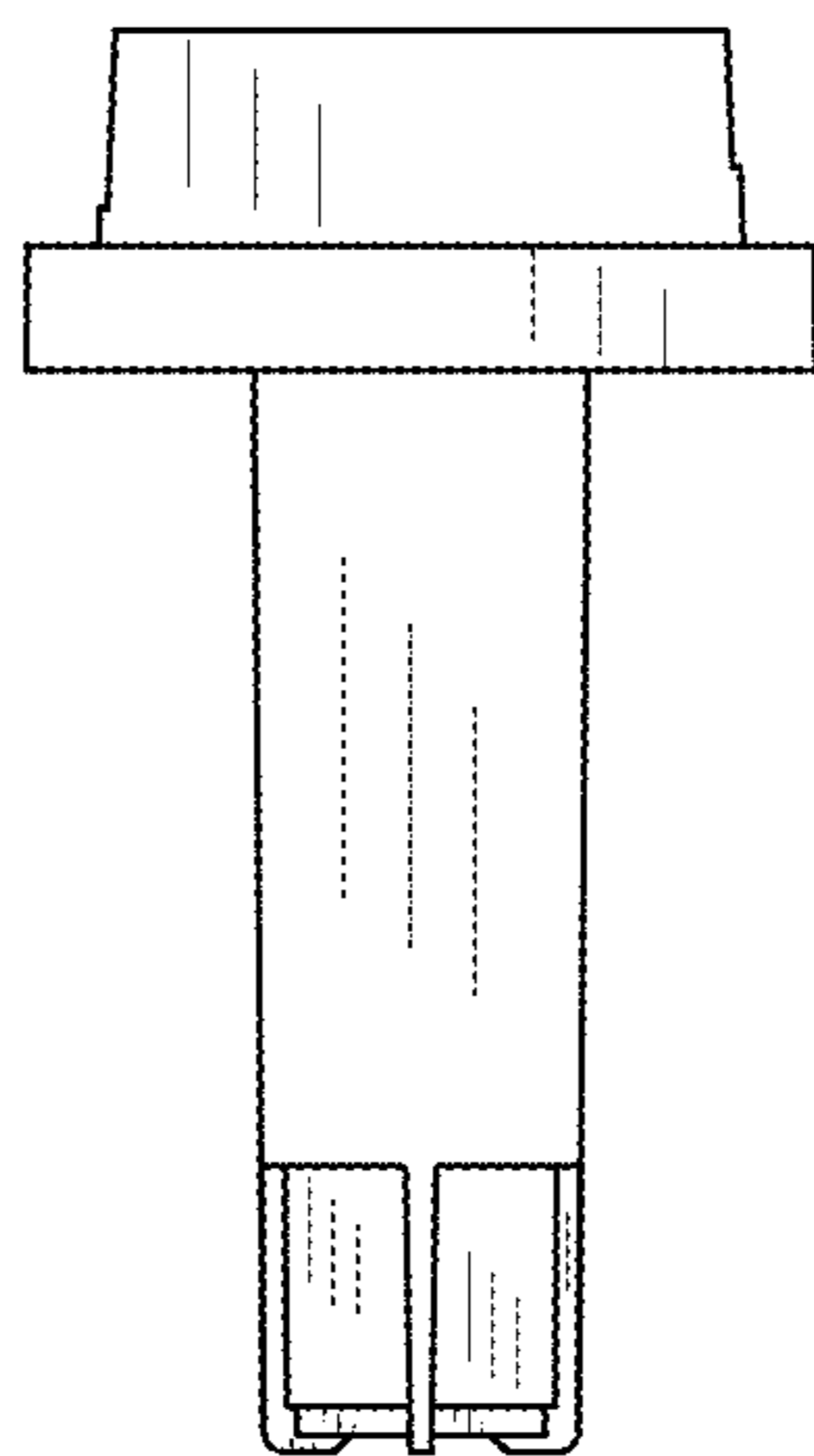


FIG.5

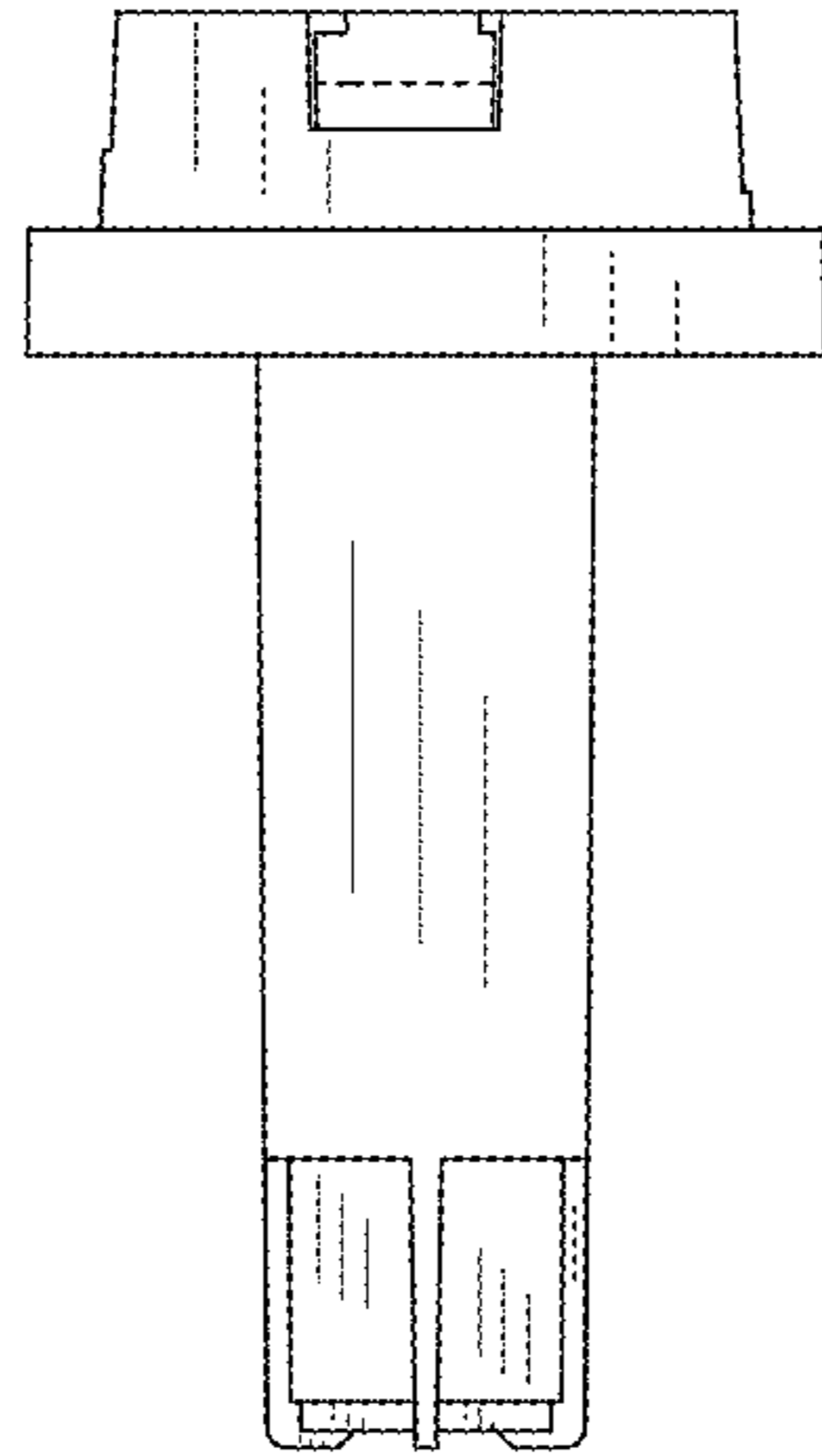


FIG.6

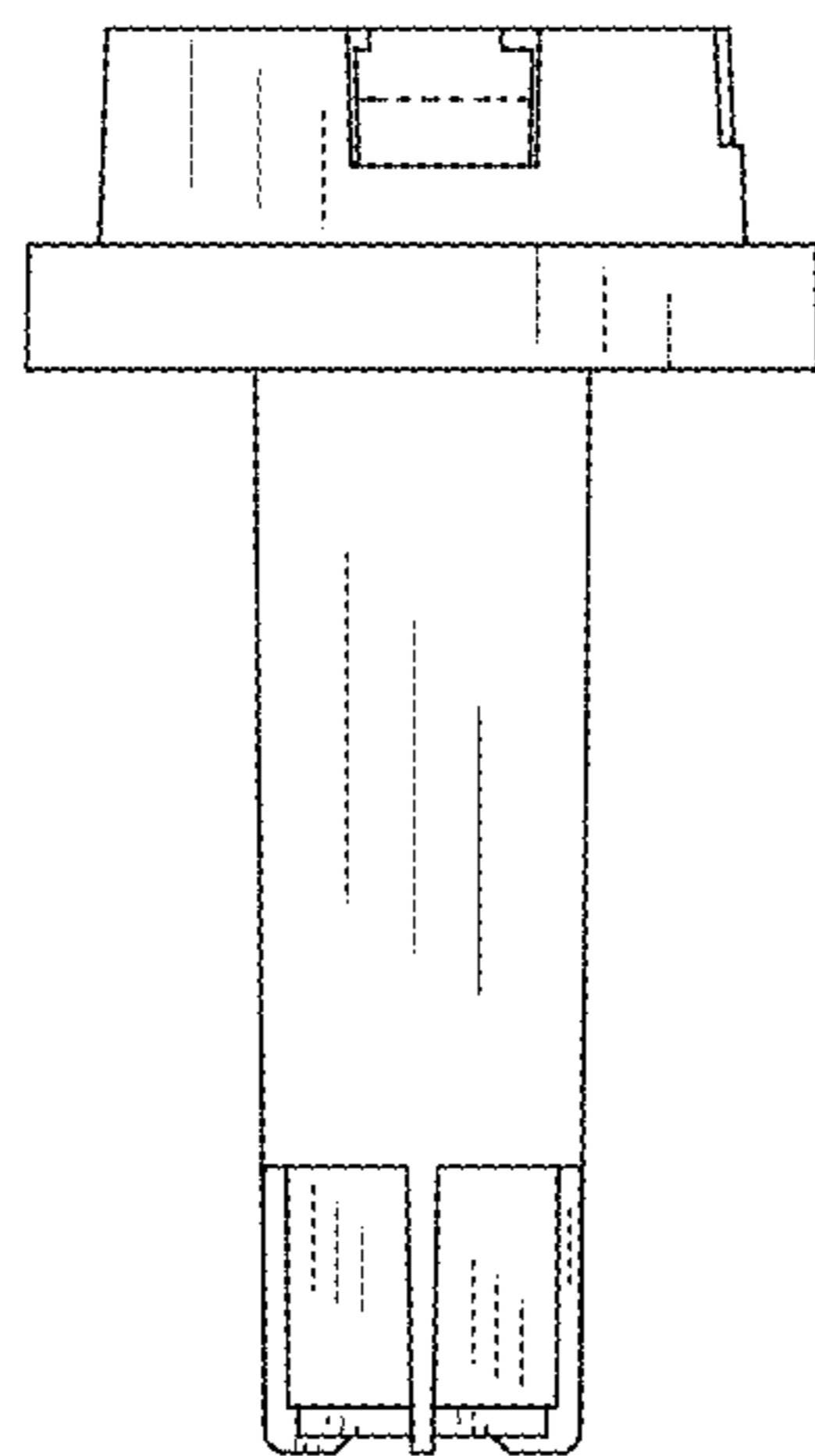


FIG.7

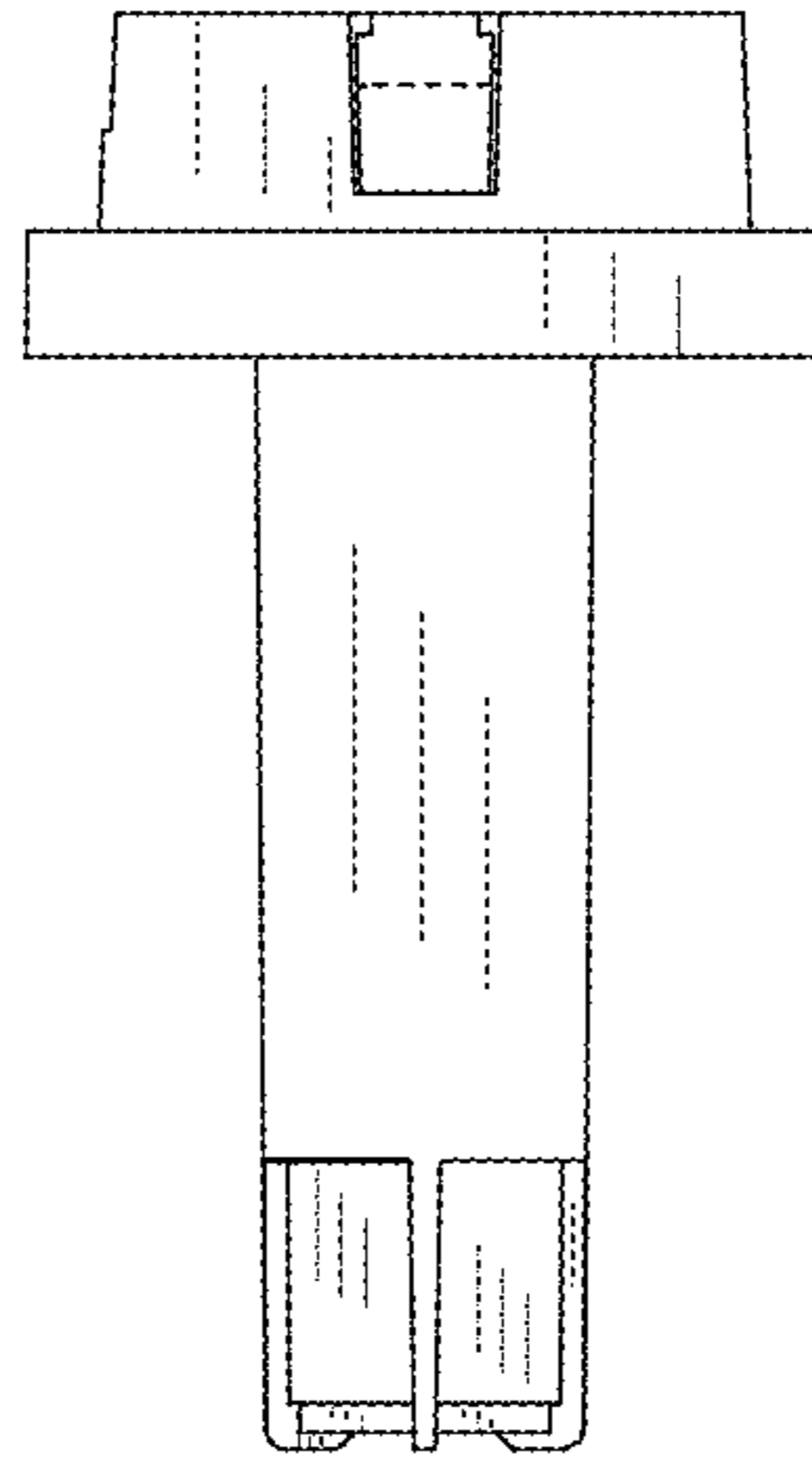


FIG.8

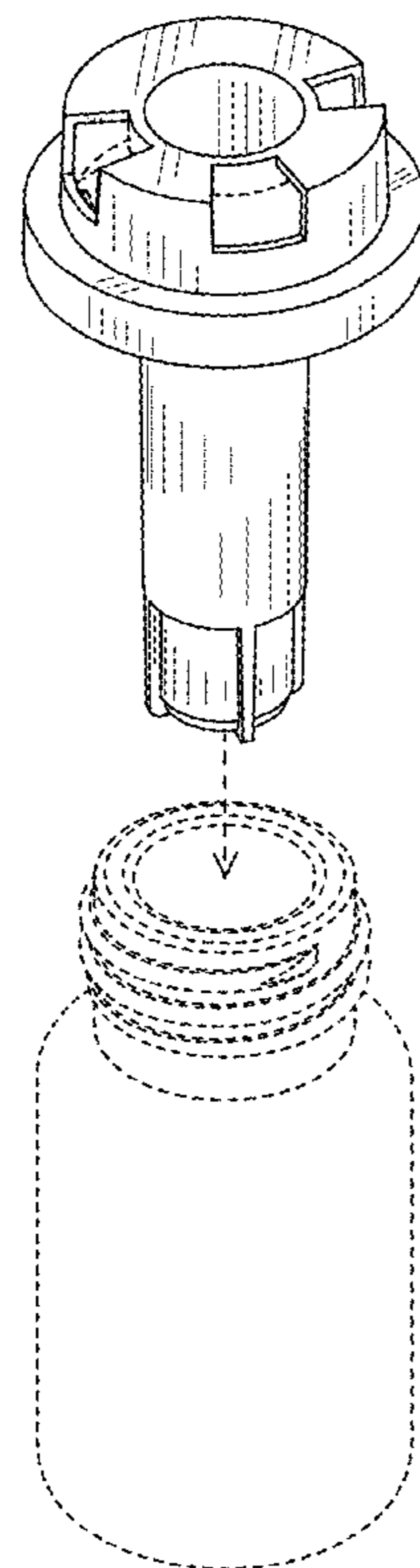


FIG. 9

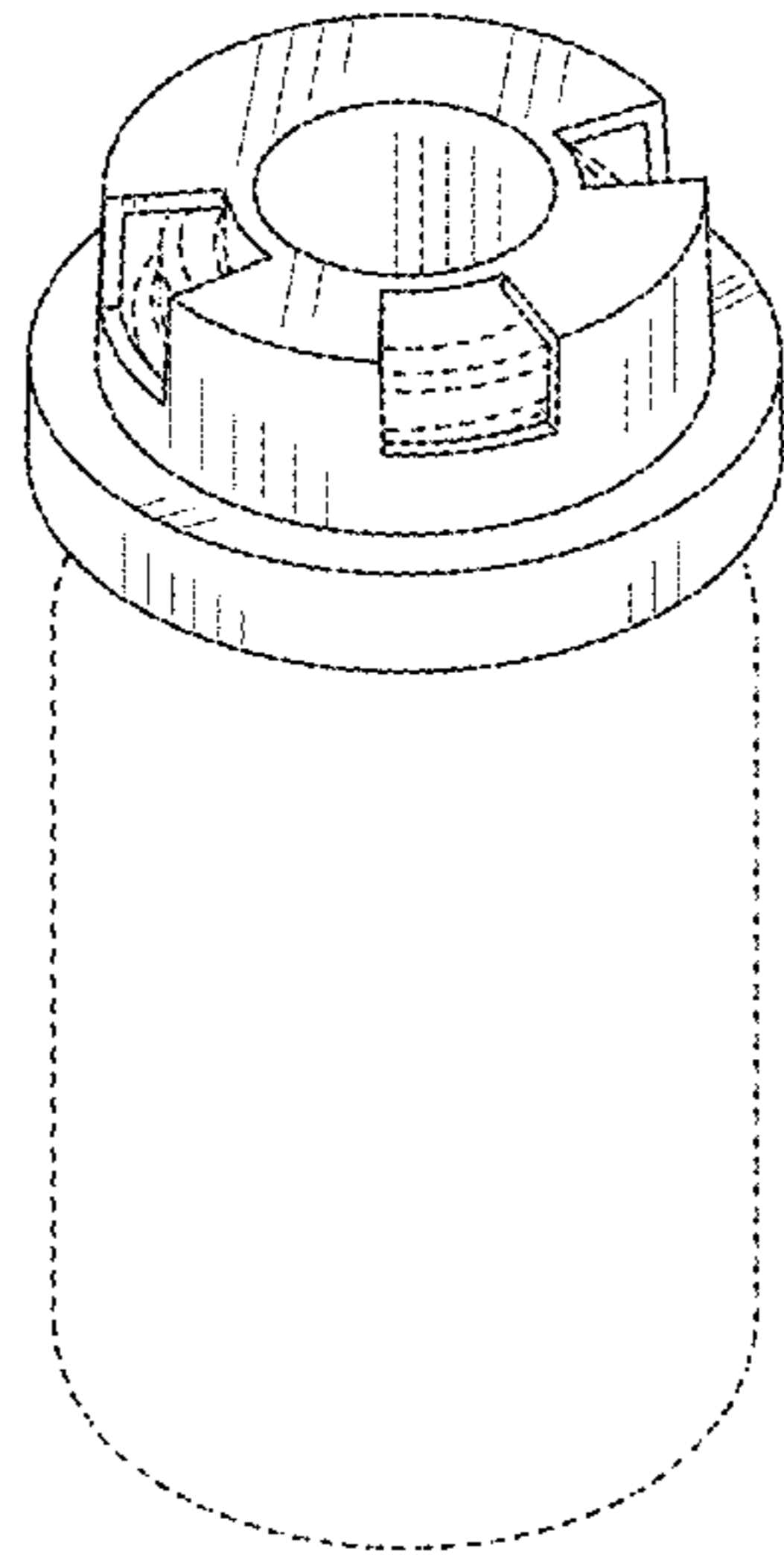


FIG. 10

