



US00D788314S

(12) **United States Design Patent** (10) **Patent No.:** **US D788,314 S**
Ando et al. (45) **Date of Patent:** **** May 30, 2017**

(54) **PIPETTE TIP**
(71) Applicant: **Panasonic Corporation**, Osaka (JP)
(72) Inventors: **Takeshi Ando**, Kyoto (JP); **Toshinori Hirose**, Osaka (JP); **Toshiaki Yamauchi**, Kyoto (JP); **Norihiro Shibata**, Osaka (JP)
(73) Assignee: **PANASONIC CORPORATION**, Osaka (JP)

D448,853 S 10/2001 Rainin et al.
D461,904 S 8/2002 Petrek
D465,853 S * 11/2002 Petersen D24/222
D468,440 S * 1/2003 Petrek D24/222
D487,593 S 3/2004 Sarna
8,192,699 B2* 6/2012 Ziegmann B01L 3/0275
422/524
D663,042 S 7/2012 Motadel et al.
D679,826 S 4/2013 Ziegmann et al.
D679,828 S 4/2013 Motadel et al.
D680,226 S 4/2013 Motadel et al.
8,480,972 B2* 7/2013 May B01L 3/0279
422/501

(**) Term: **15 Years**

(Continued)

(21) Appl. No.: **29/538,966**

FOREIGN PATENT DOCUMENTS

(22) Filed: **Sep. 9, 2015**

JP P2005-91105 A 4/2005
JP P2012-73227 A 4/2012

(30) **Foreign Application Priority Data**

Primary Examiner — Susan Bennett Hattan
Assistant Examiner — Rebecca Tsehaye
(74) *Attorney, Agent, or Firm* — Brinks Gilson & Lione

Mar. 16, 2015 (JP) 2015-005575

(51) **LOC (10) Cl.** **28-03**

(52) **U.S. Cl.**
USPC **D24/222**

(58) **Field of Classification Search**
USPC D24/222-226, 216, 108, 112-115, 117;
73/864.11, 864.24, 864.23, 864.01;
433/90

CPC B01L 3/02; B01L 3/0289; B01L 3/0293;
B01L 3/0268; B01L 3/0275; B01L 3/0279
See application file for complete search history.

(57) **CLAIM**

We claim the ornamental design for a pipette tip, as shown and described.

(56) **References Cited**

DESCRIPTION

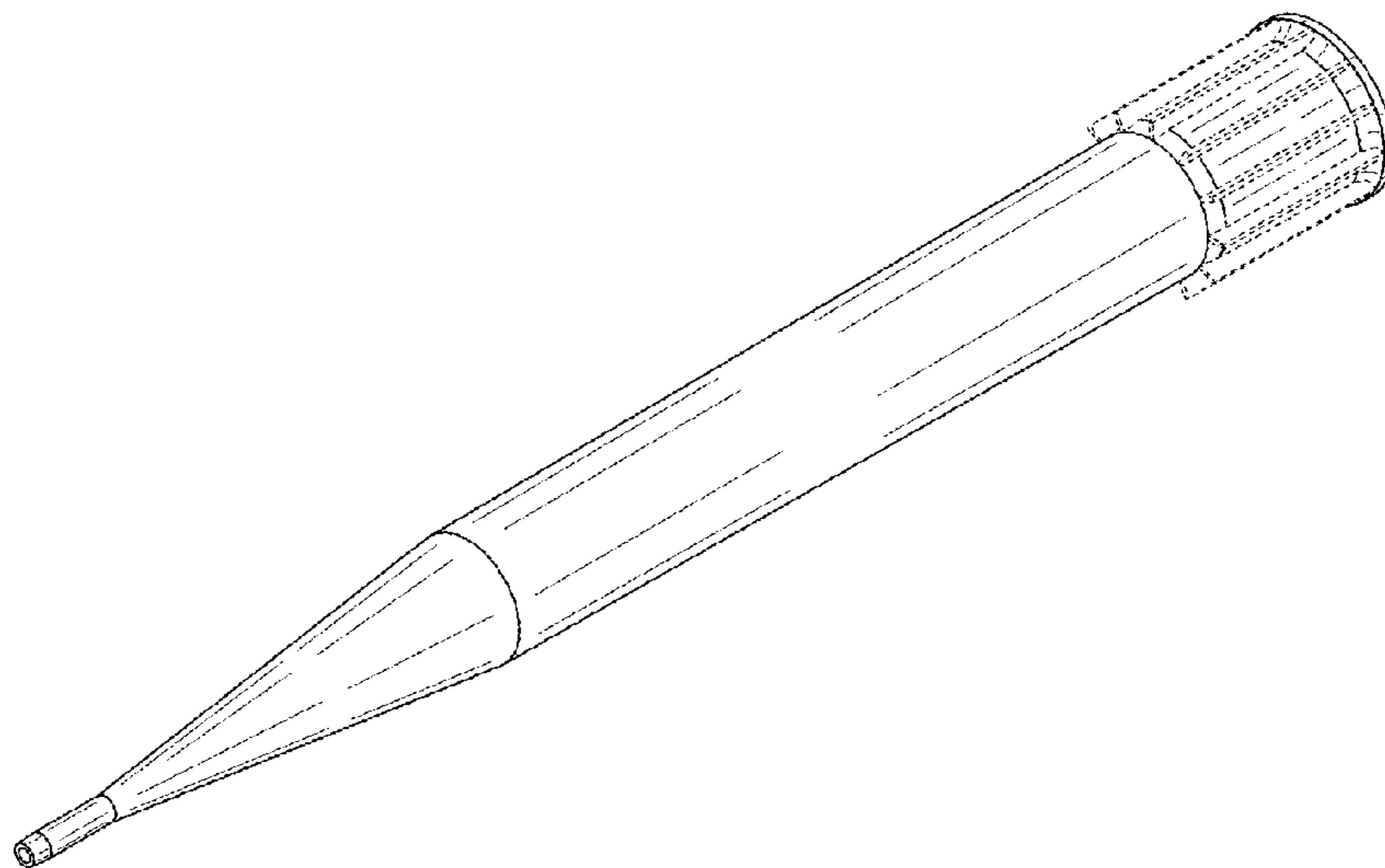
U.S. PATENT DOCUMENTS

647,557 A * 4/1900 Cruttenden A61O 5/062
433/90
D256,052 S 7/1980 De Vaughn
D257,567 S * 11/1980 Peacock D24/114
D300,561 S * 4/1989 Asa D24/112
D384,418 S * 9/1997 Torti D24/222
D414,562 S 9/1999 Tajima
D437,940 S 2/2001 Rainin et al.

FIG. 1 is a front perspective view of a pipette tip of the present invention;
FIG. 2 is a front view thereof;
FIG. 3 is a rear view thereof;
FIG. 4 is a left side view thereof;
FIG. 5 is a right side view thereof;
FIG. 6 is a top view thereof;
FIG. 7 is a bottom view thereof; and,
FIG. 8 is a cross-sectional view taken in the direction of line 8-8 in FIG. 4.

The broken lines shown represent unclaimed subject matter and form no part of the claimed design.

1 Claim, 8 Drawing Sheets



(56)

References Cited

U.S. PATENT DOCUMENTS

D687,562 S *	8/2013	Motadel	D24/222
D691,282 S *	10/2013	Motadel	D24/222
D698,458 S *	1/2014	Tsai	D24/224
D703,344 S *	4/2014	Herbst	D24/222
D717,941 S *	11/2014	Mach	D24/113
D733,910 S *	7/2015	Lohn	D24/222
D740,436 S *	10/2015	Lohn	D24/222
2006/0171854 A1 *	8/2006	Koltay	B01L 3/0268 422/400

* cited by examiner

FIG. 1

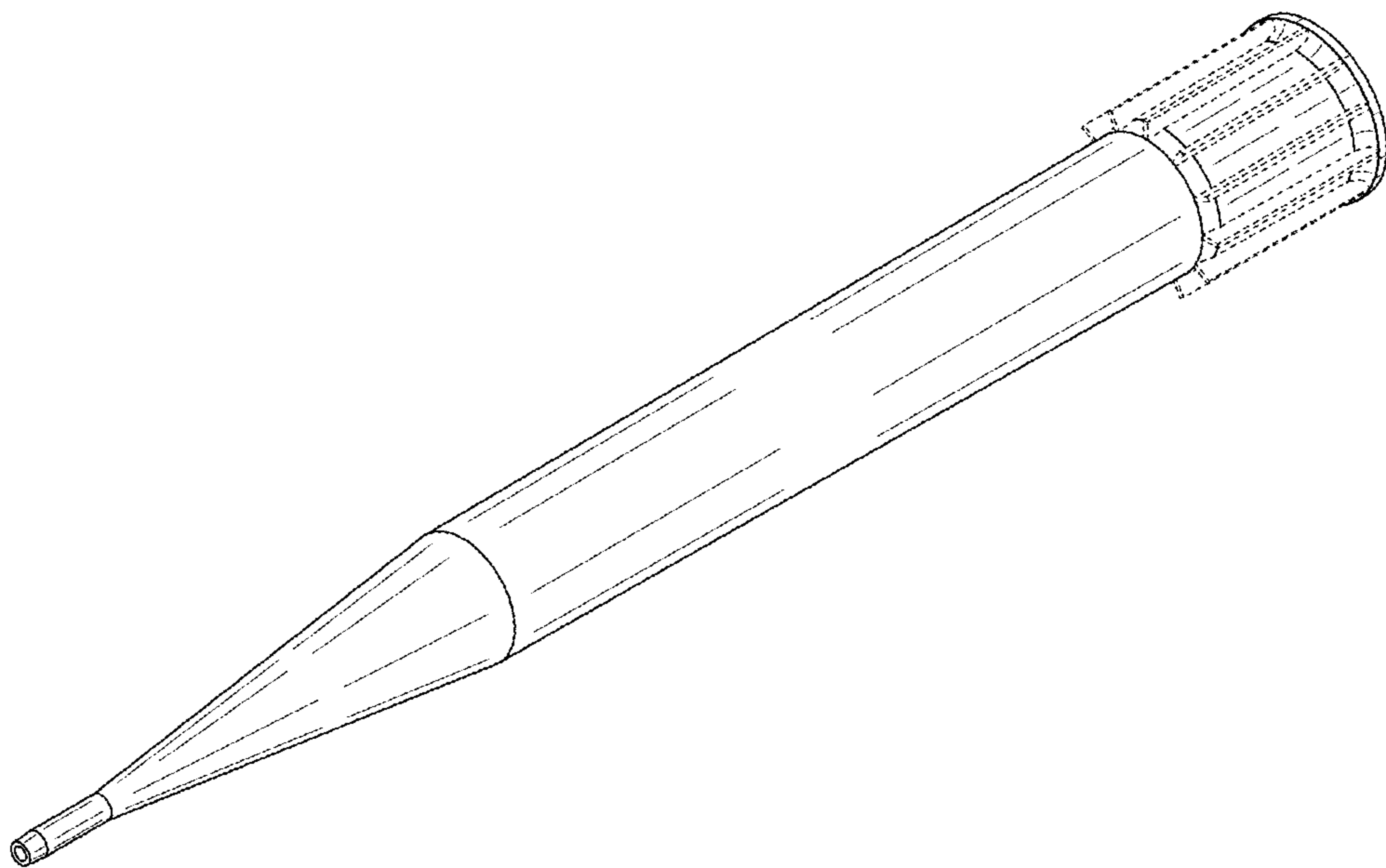


FIG. 2

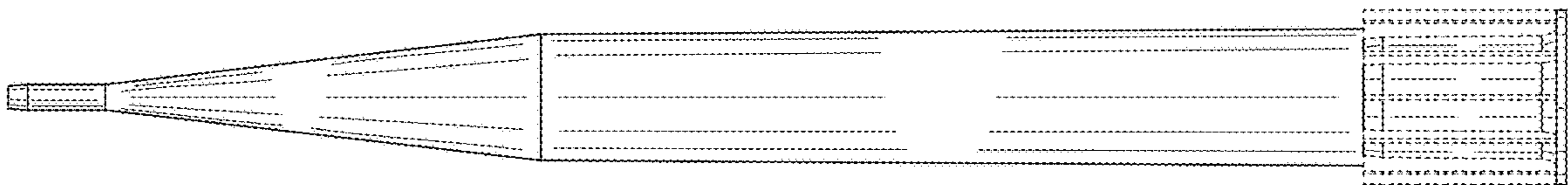


FIG. 3

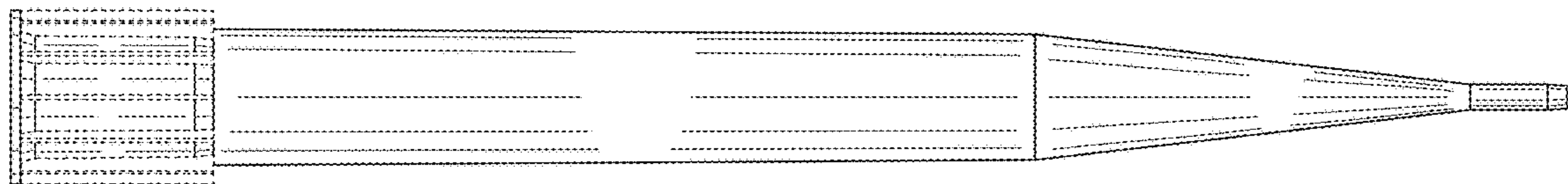


FIG. 4

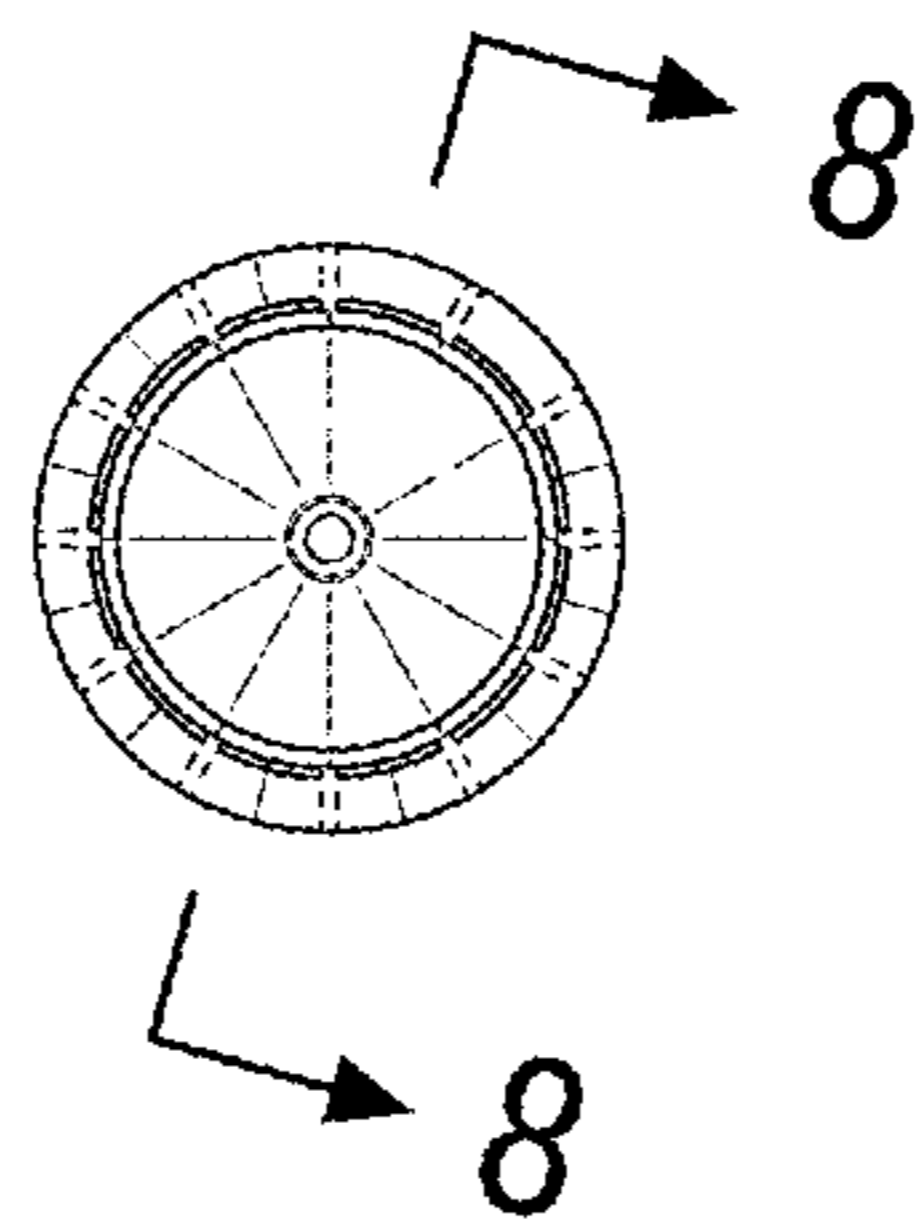


FIG. 5

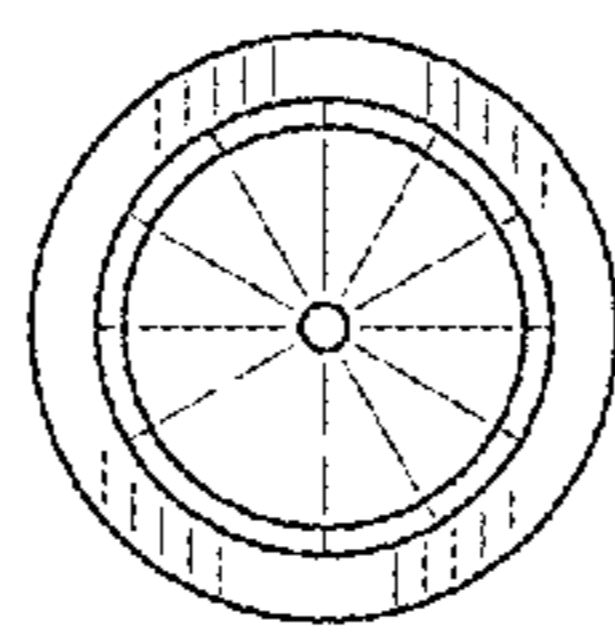


FIG. 6

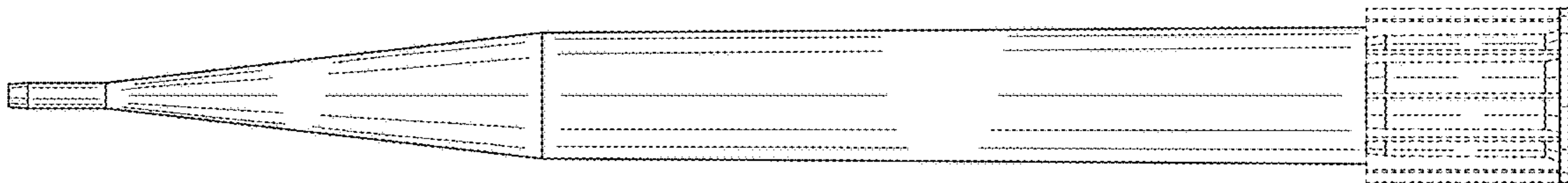


FIG. 7

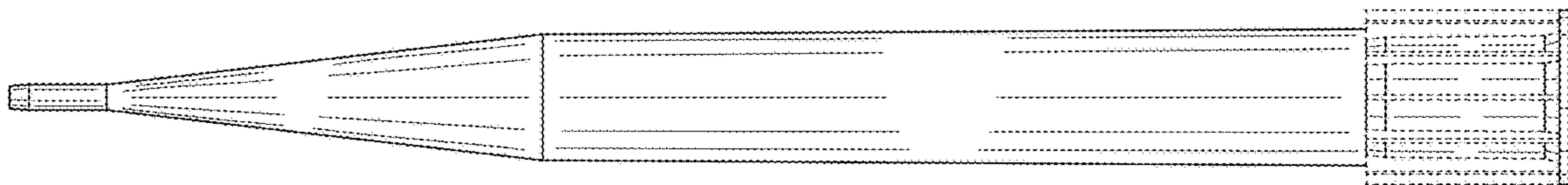


FIG. 8

