



US00D788310S

(12) **United States Design Patent** (10) **Patent No.:** **US D788,310 S**
Takeuchi (45) **Date of Patent:** **** May 30, 2017**

(54) **MAMMOGRAPHY APPARATUS FOR MEDICAL TREATMENT**

(71) Applicant: **Canon Kabushiki Kaisha**, Ohta-ku, Tokyo (JP)

(72) Inventor: **Nobuhiro Takeuchi**, Yokohama (JP)

(73) Assignee: **Canon Kabushiki Kaisha**, Tokyo (JP)

(**) Term: **15 Years**

(21) Appl. No.: **29/548,860**

(22) Filed: **Dec. 17, 2015**

(30) **Foreign Application Priority Data**

Jun. 25, 2015 (JP) 2015-013987

(51) **LOC (10) Cl.** **24-01**

(52) **U.S. Cl.**
USPC **D24/158**

(58) **Field of Classification Search**
USPC D24/158-161, 183, 185, 186, 107
CPC A61B 6/055; A61B 6/502; A61B 8/0825;
A61B 8/0414; A61B 8/4416; G06T
2207/30068
See application file for complete search history.

(56) **References Cited**

U.S. PATENT DOCUMENTS

5,820,552 A * 10/1998 Crosby A61B 8/0825
128/915
D474,277 S * 5/2003 Juni D24/158
D628,295 S * 11/2010 Sakai D24/158

D659,833 S * 5/2012 Ogura D24/158
D669,989 S * 10/2012 Boudier D24/158
D713,962 S * 9/2014 Wodecki D24/158
D724,735 S * 3/2015 Harverson D24/158
9,364,190 B2 * 6/2016 Lee A61B 6/502
2007/0092059 A1 * 4/2007 Wayne Eberhard ... A61B 6/502
378/37
2008/0319318 A1 * 12/2008 Johnson A61B 8/0825
600/445
2009/0064413 A1 * 3/2009 Sliski A61B 5/415
5/601
2009/0080186 A1 * 3/2009 Helmreich A61B 5/055
362/231
2009/0135996 A1 * 5/2009 Muller A61B 6/502
378/37

* cited by examiner

Primary Examiner — Anhdao Doan

(74) *Attorney, Agent, or Firm* — Fitzpatrick, Cella, Harper & Scinto

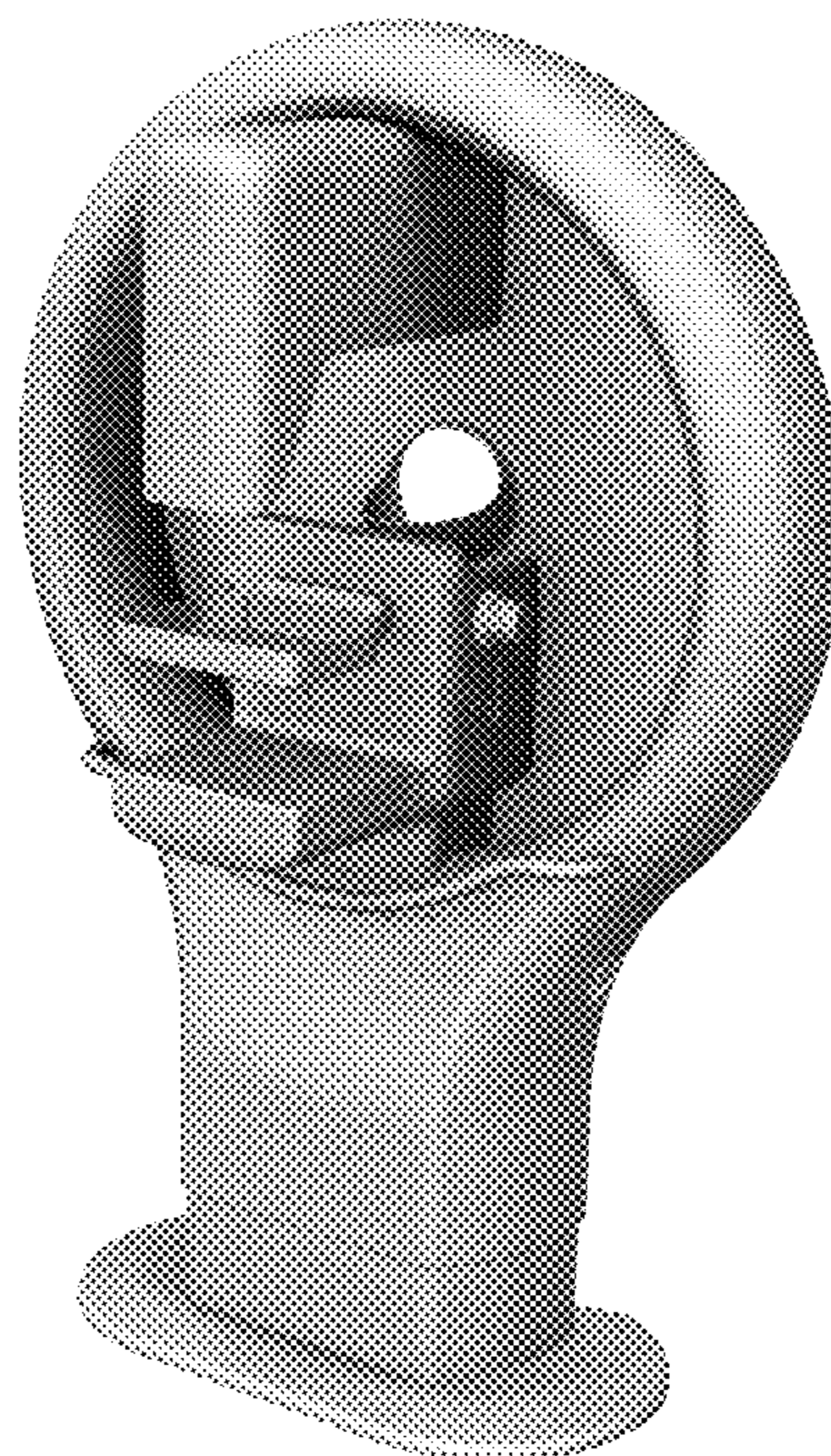
(57) **CLAIM**

The ornamental design for a mammography apparatus for medical treatment, as shown and described.

DESCRIPTION

FIG. 1 is a front view of a mammography apparatus for medical treatment showing my new design;
FIG. 2 is a rear view thereof;
FIG. 3 is a top plan view thereof;
FIG. 4 is a bottom plan view thereof;
FIG. 5 is a left side view thereof;
FIG. 6 is a right side view thereof; and,
FIG. 7 is a perspective view thereof.

1 Claim, 5 Drawing Sheets



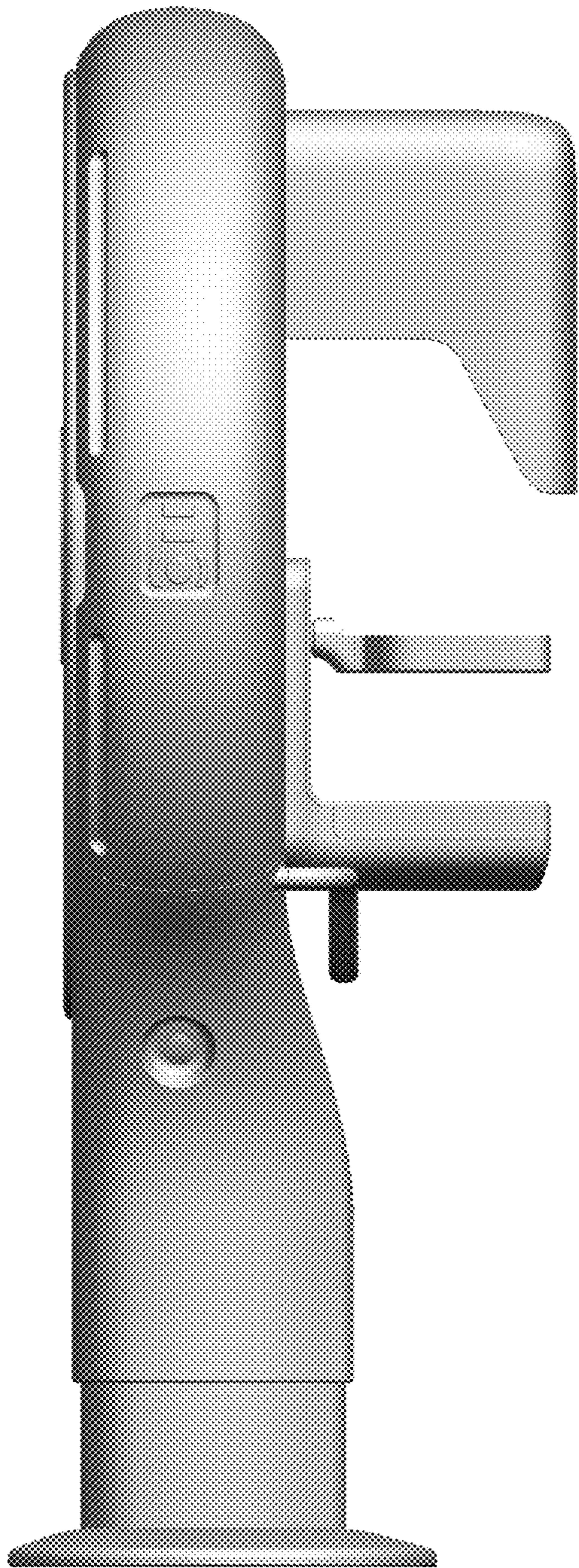


FIG. 1

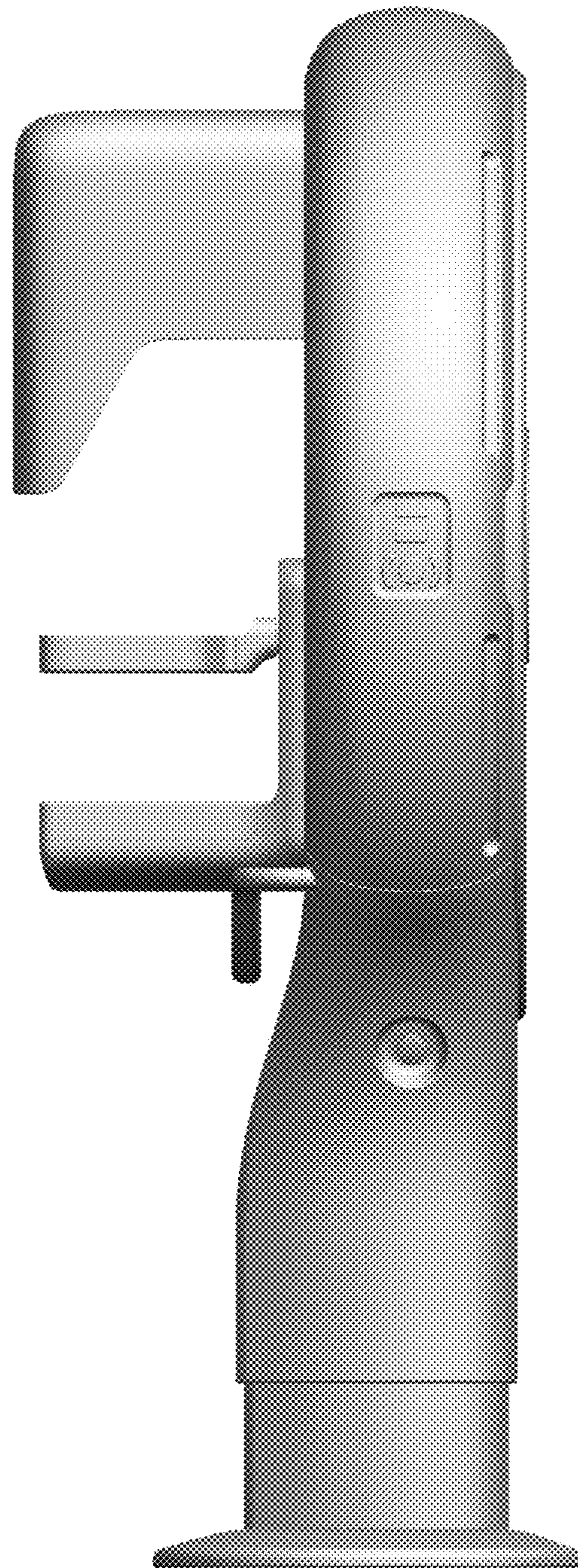


FIG. 2

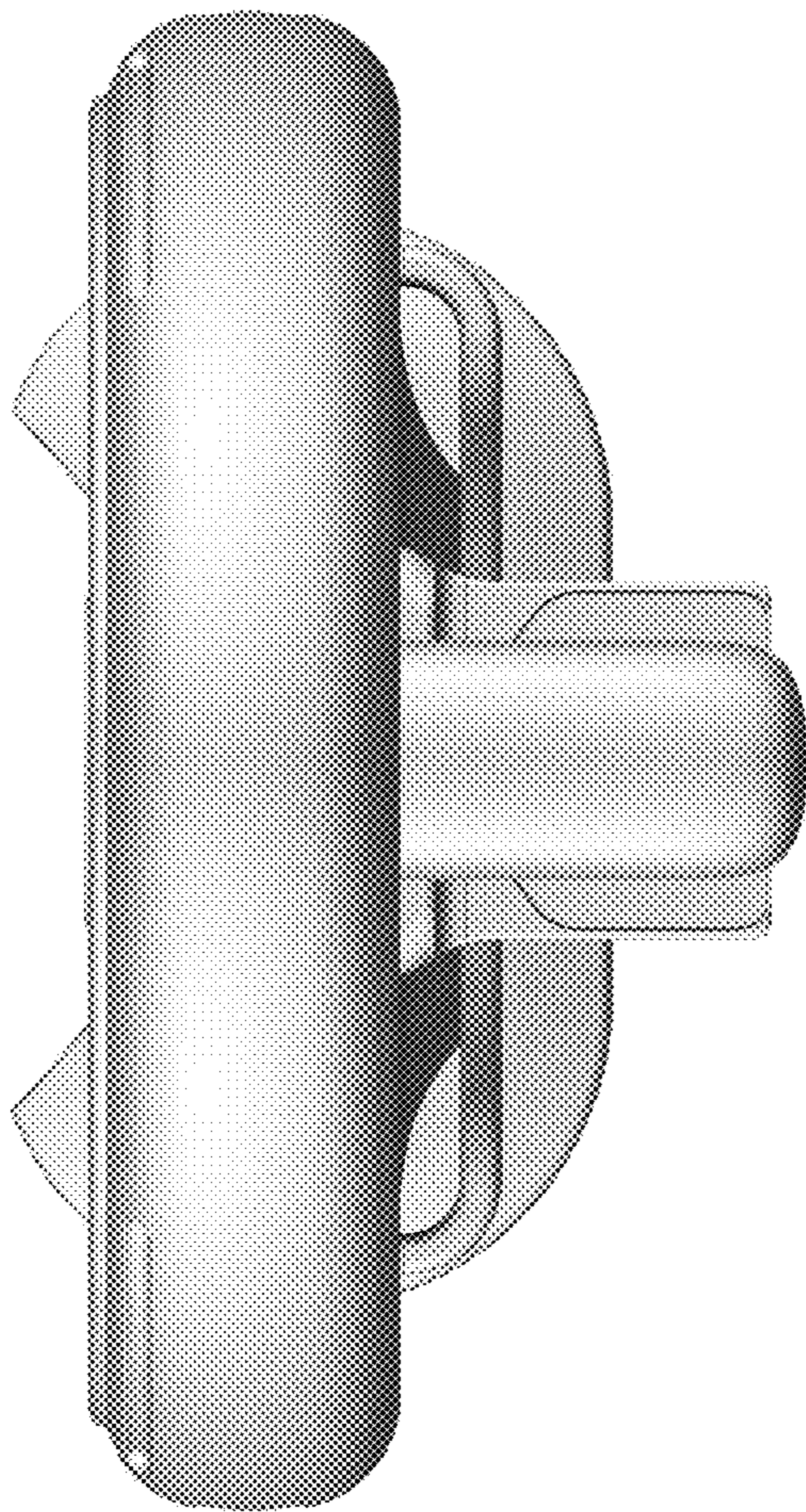


FIG. 3

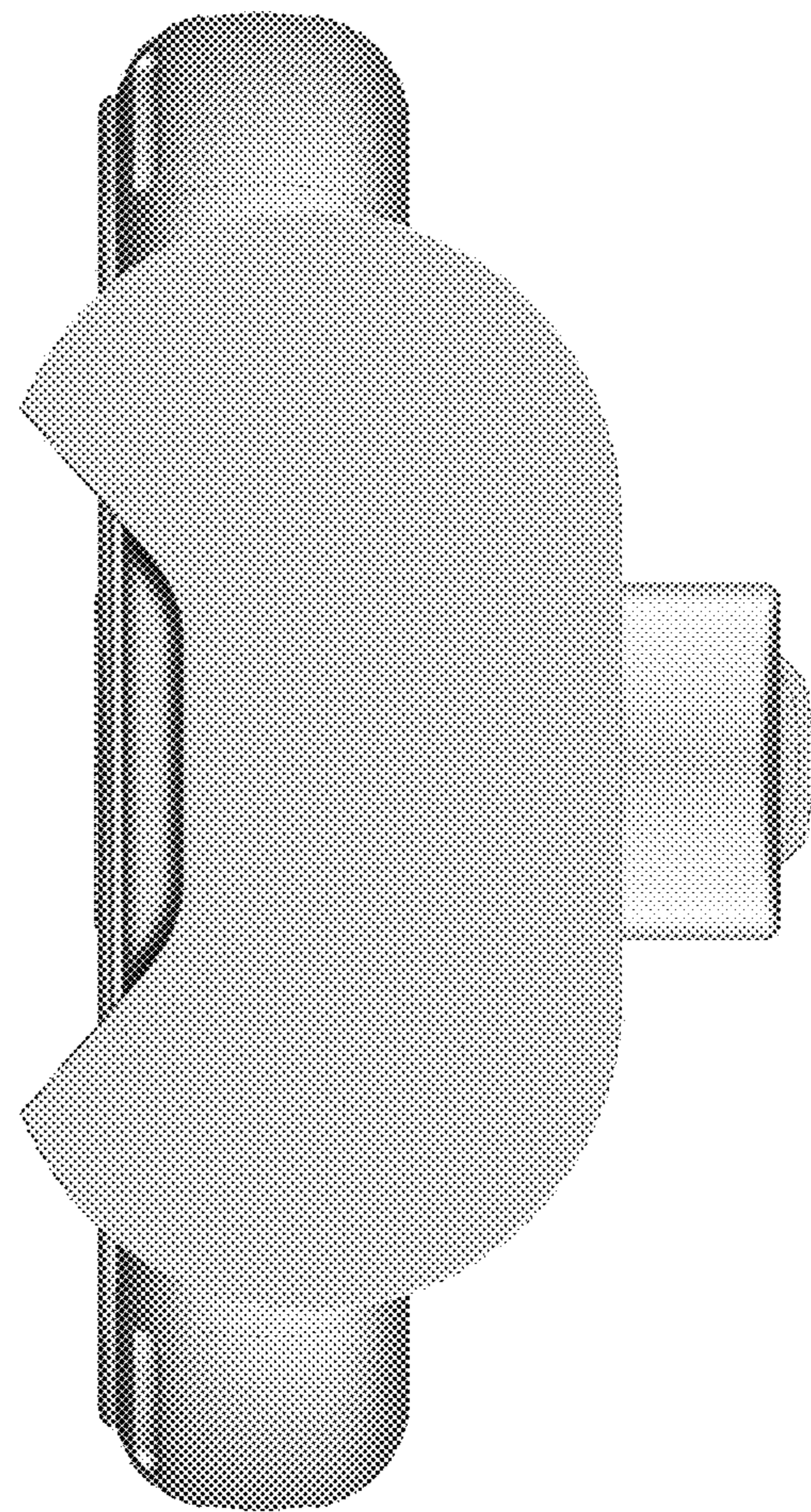


FIG. 4



FIG. 5

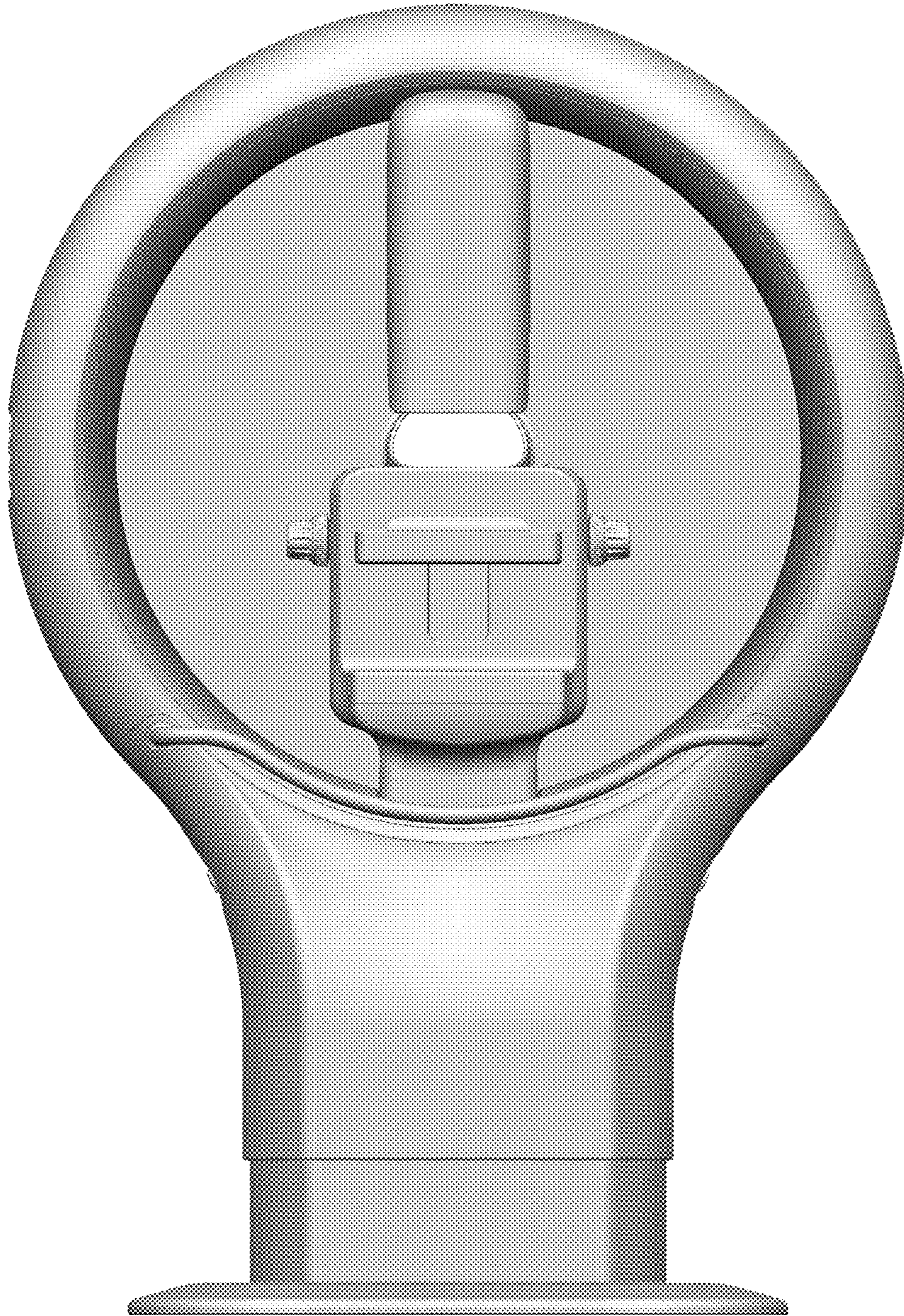


FIG. 6

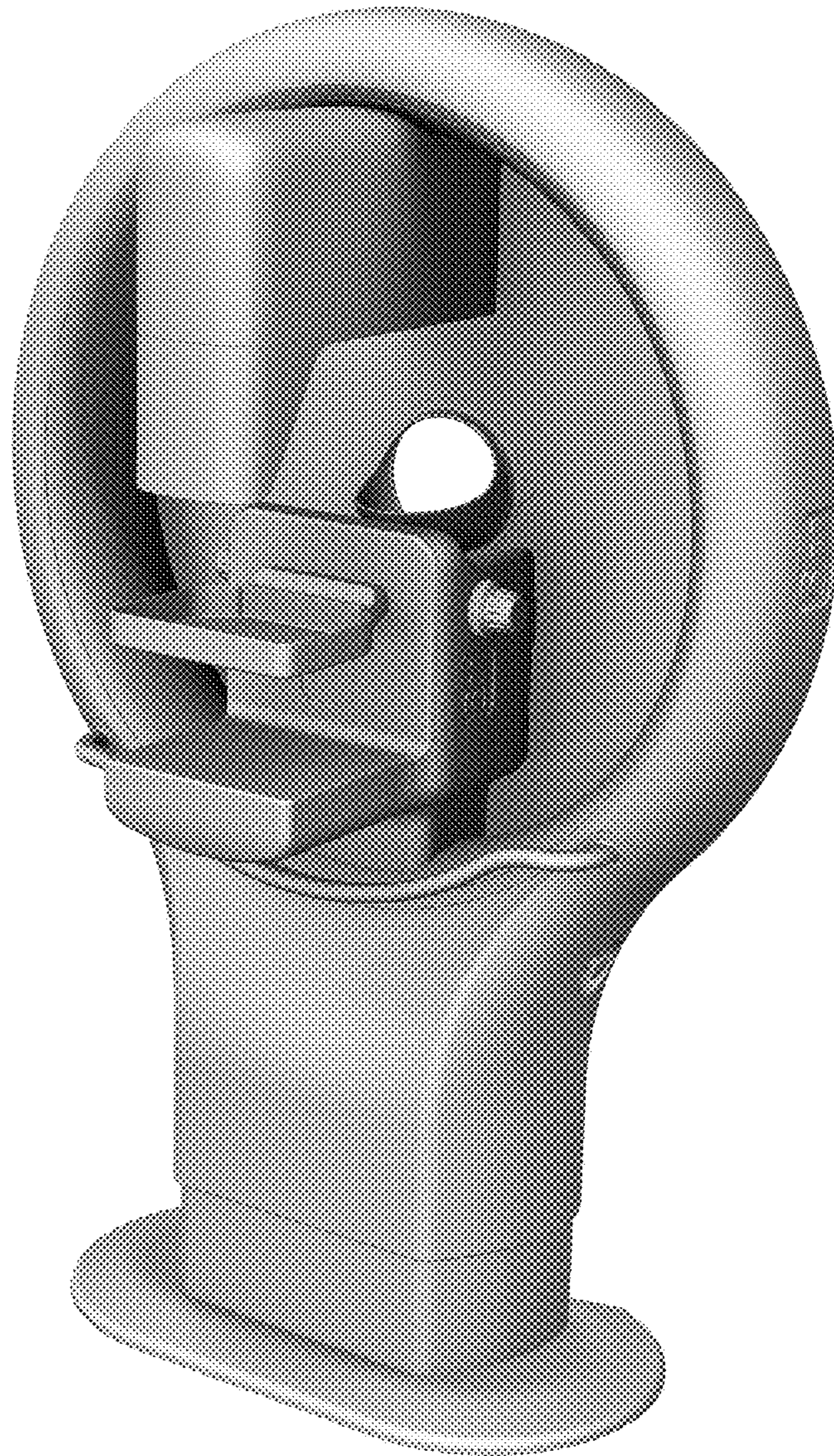


FIG. 7