



US00D788308S

(12) **United States Design Patent** (10) **Patent No.:** **US D788,308 S**  
**Curran et al.** (45) **Date of Patent:** **\*\* May 30, 2017**

- (54) **INTERVERTEBRAL IMPLANT**
- (71) Applicant: **NuVasive, Inc.**, San Diego, CA (US)
- (72) Inventors: **Matthew Curran**, San Diego, CA (US); **William Smith**, Las Vegas, NV (US)
- (73) Assignee: **NuVasive, Inc.**, San Diego, CA (US)
- (\*\*) Term: **15 Years**
- (21) Appl. No.: **29/580,961**
- (22) Filed: **Oct. 14, 2016**

- 3,604,487 A 9/1971 Gilbert
- 3,745,995 A 7/1973 Kraus
- 3,848,601 A 11/1974 Ma
- 4,026,304 A 5/1977 Levy
- 4,026,305 A 5/1977 Brownlee
- 4,646,738 A 3/1987 Trott
- 4,657,550 A 4/1987 Daher
- 4,743,256 A 5/1988 Brantigan
- 4,781,591 A 11/1988 Allen
- 4,834,757 A 5/1989 Brantigan
- 4,877,020 A 10/1989 Vich
- 4,878,915 A 11/1989 Brantigan
- 4,932,975 A 6/1990 Main
- 4,961,740 A 10/1990 Ray
- 4,962,766 A 10/1990 Herzon
- 5,026,373 A 6/1991 Ray
- 5,055,104 A 10/1991 Ray
- 5,062,845 A 11/1991 Kuslich
- 5,092,572 A 3/1992 Litwak

(Continued)

**Related U.S. Application Data**

- (63) Continuation of application No. 29/438,216, filed on Nov. 27, 2012, now Pat. No. Des. 770,045, which is a continuation of application No. 29/376,166, filed on Oct. 1, 2010, now Pat. No. Des. 671,645, which is a continuation of application No. 11/901,786, filed on Sep. 18, 2007, now abandoned.

*Primary Examiner* — Charles Hanson  
 (74) *Attorney, Agent, or Firm* — Jeremy A. Smith;  
 Bradley Arant Boult Cummings LLP

- (51) **LOC (10) Cl.** ..... **24-02**
- (52) **U.S. Cl.**  
USPC ..... **D24/155**
- (58) **Field of Classification Search**  
USPC ..... D24/155, 156  
CPC ..... A61F 2/4611; A61F 2/442; A61F 2/447;  
A61F 2220/0025; A61F 2310/00023;  
A61F 2310/00017; A61F 2002/4475;  
A61F 2002/30841; A61F 2002/2835;  
A61F 2002/30904; A61F 2002/30785;  
A61F 2002/443; A61F 2002/30578  
See application file for complete search history.

(57) **CLAIM**

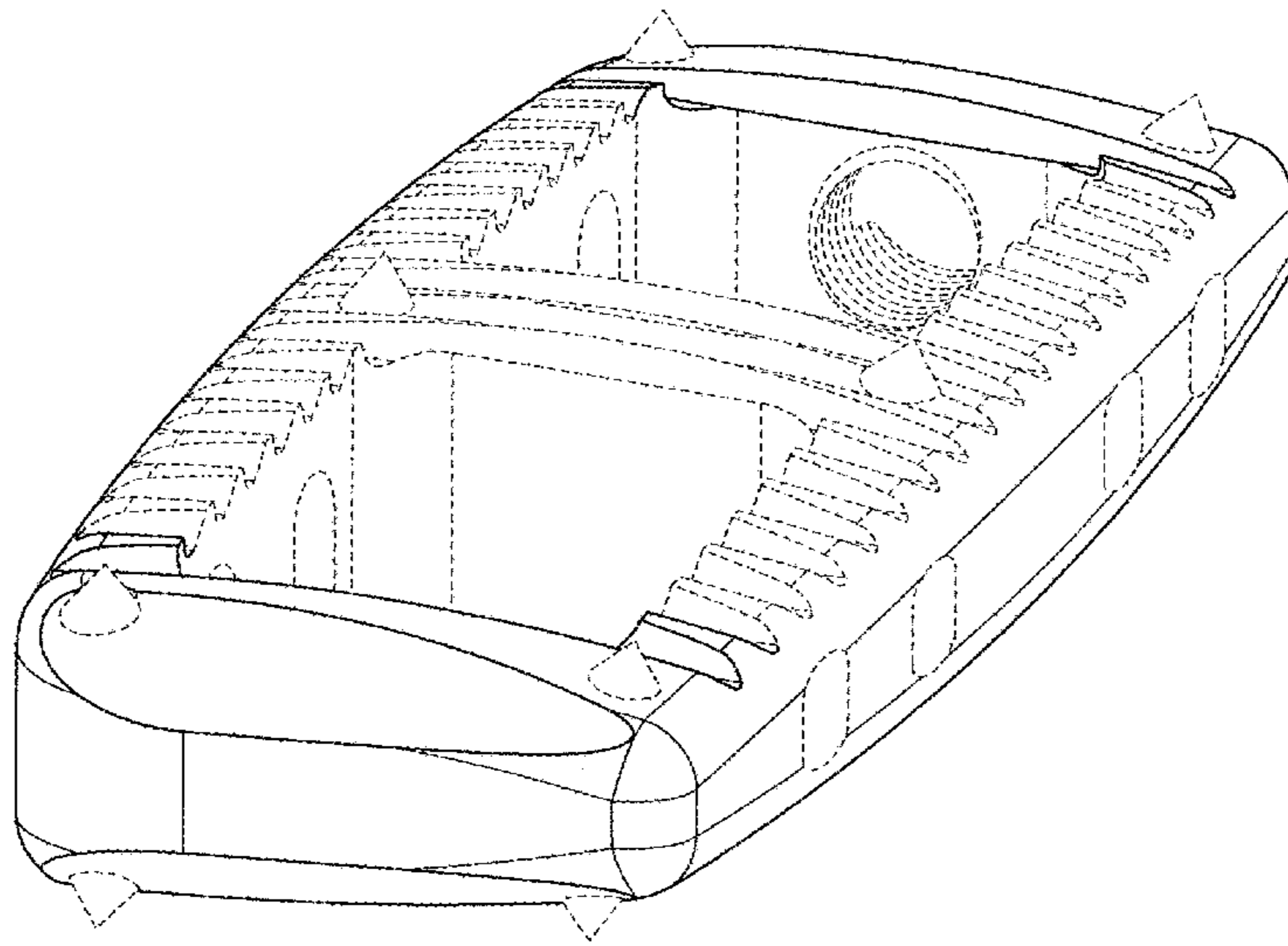
The ornamental design for an intervertebral implant, substantially as shown and described.

**DESCRIPTION**

FIG. 1 is a perspective view of an intervertebral implant showing our new design;  
 FIG. 2 is a top view thereof;  
 FIG. 3 is a first side view thereof;  
 FIG. 4 is a second side view thereof;  
 FIG. 5 is a first end view thereof; and,  
 FIG. 6 is a second end view thereof.  
 The broken line showing is included for the purpose of illustrating environment and forms no part of the claimed design.

- (56) **References Cited**  
U.S. PATENT DOCUMENTS  
3,486,505 A 12/1969 Morrison  
3,518,993 A 7/1970 Blake

**1 Claim, 4 Drawing Sheets**



(56)

References Cited

U.S. PATENT DOCUMENTS

5,133,717 A	7/1992	Chopin	5,728,159 A	3/1998	Stroeveer
5,133,755 A	7/1992	Brekke	5,741,253 A	4/1998	Michelson
5,171,278 A	12/1992	Pisharodi	5,741,261 A	4/1998	Moskovitz
5,192,327 A	3/1993	Brantigan	5,755,797 A	5/1998	Baumgartner
5,217,497 A	6/1993	Mehdian	5,766,252 A	6/1998	Henry
5,269,785 A	12/1993	Bonutti	5,772,661 A	6/1998	Michelson
5,284,153 A	2/1994	Raymond	5,775,331 A	7/1998	Raymond
5,290,494 A	3/1994	Coombes	5,779,642 A	7/1998	Nightengale
5,300,076 A	4/1994	Lerliche	5,782,830 A	7/1998	Farris
5,304,210 A	4/1994	Crook	5,782,919 A	7/1998	Zdeblick
5,306,307 A	4/1994	Senter	5,785,710 A	7/1998	Michelson
5,306,309 A	4/1994	Wagner	5,797,909 A	8/1998	Michelson
5,322,505 A	6/1994	Krause	5,800,549 A	9/1998	Bao
5,334,205 A	8/1994	Cain	5,800,550 A	9/1998	Sertich
5,336,223 A	8/1994	Rogers	5,814,084 A	9/1998	Grivas
5,364,400 A	11/1994	Rego	5,851,208 A	12/1998	Trott
5,395,372 A	3/1995	Holt	5,860,973 A	1/1999	Michelson
5,397,363 A	3/1995	Gelbard	5,865,845 A	2/1999	Thalgott
5,397,364 A	3/1995	Kozak	5,865,848 A	2/1999	Baker
5,405,391 A	4/1995	Hednerson	5,885,299 A	3/1999	Winslow
5,413,602 A	5/1995	Metz-Stavenhagen	5,888,219 A	3/1999	Bonutti
5,425,772 A	6/1995	Brantigan	5,888,224 A	3/1999	Beckers
5,431,658 A	7/1995	Moskovich	5,893,890 A	4/1999	Pisharodi
5,443,514 A	8/1995	Steffee	5,904,719 A	5/1999	Errico
5,443,515 A	8/1995	Cohen	5,910,315 A	6/1999	Stevenson
5,445,639 A	8/1995	Kuslich	5,954,769 A	9/1999	Rosenlicht
5,454,811 A	10/1995	Huebner	5,968,098 A	10/1999	Winslow
5,458,638 A	10/1995	Kuslich	5,993,474 A	11/1999	Ouchi
5,484,403 A	1/1996	Yoakum	6,003,426 A	12/1999	Kobayashi
5,484,437 A	1/1996	Michelson	6,004,326 A	12/1999	Castro
5,489,308 A	2/1996	Kuslich	6,008,433 A	12/1999	Stone
5,514,180 A	5/1996	Heggeness	6,015,436 A	1/2000	Schonhoffer
5,522,879 A	6/1996	Scopelianos	6,033,405 A	3/2000	Winslow
5,522,899 A	6/1996	Michelson	6,039,761 A	3/2000	Li
5,524,624 A	6/1996	Tepper	6,042,582 A	3/2000	Ray
5,527,312 A	6/1996	Ray	6,045,580 A	4/2000	Scarborough
5,534,030 A	7/1996	Navarro	6,048,342 A	4/2000	Zucherman
5,540,688 A	7/1996	Navas	6,059,829 A	5/2000	Schläpfer
5,545,222 A	8/1996	Bonutti	6,063,088 A	5/2000	Winslow
5,562,736 A	10/1996	Ray	6,083,225 A	7/2000	Winslow
5,565,005 A	10/1996	Erickson	6,096,080 A	8/2000	Nicholson
5,571,190 A	11/1996	Ulrich	6,102,948 A	8/2000	Brosnahan
5,571,192 A	11/1996	Schonhoffer	6,120,503 A	9/2000	Michelson
5,593,409 A	1/1997	Michelson	6,120,506 A	9/2000	Kohrs
5,609,636 A	3/1997	Kohrs	6,132,472 A	10/2000	Bonutti
5,611,800 A	3/1997	Davis	6,143,033 A	11/2000	Paul
5,611,810 A	3/1997	Arnold	6,159,211 A	12/2000	Boriani
5,632,747 A	5/1997	Scarborough	6,159,215 A	12/2000	Urbahns
5,645,598 A	7/1997	Brosnahan	6,193,756 B1	2/2001	Studer
5,653,761 A	8/1997	Pisharodi	6,200,347 B1	3/2001	Anderson
5,653,762 A	8/1997	Pisharodi	6,224,607 B1	5/2001	Michelson
5,658,336 A	8/1997	Pisharodi	6,224,631 B1	5/2001	Kohrs
5,658,337 A	8/1997	Kohrs	6,241,769 B1	6/2001	Nicholson
5,662,710 A	9/1997	Bonutti	6,241,771 B1	6/2001	Gresser
5,665,122 A	9/1997	Kambin	6,245,108 B1 *	6/2001	Biscup ..... A61F 2/4455 606/246
5,669,909 A	9/1997	Zdeblick	6,251,140 B1	6/2001	Marino
5,676,703 A	10/1997	Gelbard	6,258,125 B1	7/2001	Paul
5,683,394 A	11/1997	Rinner	6,277,149 B1	8/2001	Boyle
5,683,400 A	11/1997	McGuire	6,319,257 B1	11/2001	Carignan
5,683,464 A	11/1997	Wagner	6,371,989 B1	4/2002	Chauvin
5,690,629 A	11/1997	Asher	6,383,221 B1	5/2002	Scarborough
5,700,264 A	12/1997	Zucherman	6,409,766 B1	6/2002	Brett
5,700,291 A	12/1997	Kuslich	6,432,140 B1	8/2002	Lin
5,700,292 A	12/1997	Margulies	6,440,142 B1	8/2002	Ralph
5,702,449 A	12/1997	McKay	6,442,814 B1	9/2002	Landry
5,702,451 A	12/1997	Biedermann	6,447,547 B1	9/2002	Michelson
5,702,453 A	12/1997	Rabbe	6,454,806 B1	9/2002	Cohen
5,702,454 A	12/1997	Baumgartner	6,468,311 B2	10/2002	Boyd
5,702,455 A	12/1997	Saggar	6,491,724 B1	12/2002	Ferree
5,703,451 A	12/1997	Yamamichi	6,527,773 B1	3/2003	Lin
5,707,373 A	1/1998	Sevrain	D472,634 S	4/2003	Anderson
5,711,957 A	1/1998	Patat	D473,650 S	4/2003	Anderson
5,716,415 A	2/1998	Steffee	6,547,823 B2	4/2003	Scarborough
5,720,748 A	2/1998	Kuslich	6,595,998 B2	7/2003	Johnson
5,720,751 A	2/1998	Jackson	6,626,905 B1	9/2003	Schmiel
			6,635,086 B2	10/2003	Lin
			6,648,895 B2	11/2003	Burkus
			6,672,019 B1	1/2004	Wenz

(56)

References Cited

U.S. PATENT DOCUMENTS

6,676,703 B2 1/2004 Biscup  
 6,743,255 B2 6/2004 Ferree  
 6,746,484 B1 6/2004 Liu  
 6,755,841 B2 6/2004 Fraser  
 D493,533 S 7/2004 Blain  
 6,824,564 B2 11/2004 Crozet  
 D503,801 S 4/2005 Jackson  
 6,942,698 B1 9/2005 Jackson  
 6,964,687 B1 11/2005 Bernard  
 6,979,353 B2 12/2005 Bresina  
 6,984,245 B2 1/2006 McGahan  
 6,986,788 B2 1/2006 Paul  
 6,989,031 B2 1/2006 Michelson  
 D530,423 S 10/2006 Miles  
 D594,986 S 6/2009 Miles  
 D599,019 S 8/2009 Pimenta  
 D620,113 S 7/2010 Courtney  
 D621,509 S 8/2010 Lovell  
 D625,820 S 10/2010 Calverley  
 7,815,682 B1 10/2010 Peterson  
 D627,467 S 11/2010 Pannu  
 D629,104 S 12/2010 Calverley  
 D629,108 S 12/2010 Richter  
 D630,749 S 1/2011 Tornier  
 7,918,891 B1 4/2011 Curran  
 8,187,334 B2 5/2012 Curran  
 8,246,686 B1 8/2012 Curran  
 8,287,597 B1 10/2012 Pimenta  
 D671,645 S 11/2012 Curran  
 D674,092 S 1/2013 Lovell  
 D675,320 S 1/2013 Oi  
 8,361,156 B2 1/2013 Curran

8,562,685 B2 \* 10/2013 Ullrich, Jr. .... A61F 2/4465  
 623/17.11  
 8,574,301 B2 11/2013 Curran  
 D696,402 S 12/2013 Oi  
 8,608,804 B2 12/2013 Curran  
 D700,332 S \* 2/2014 Tyber ..... D24/155  
 8,673,005 B1 3/2014 Pimenta  
 8,685,105 B2 4/2014 Curran  
 8,758,443 B2 \* 6/2014 Ullrich, Jr. .... A61F 2/4455  
 623/17.11  
 D708,747 S \* 7/2014 Curran ..... D24/155  
 D711,537 S 8/2014 Pimenta  
 8,814,940 B2 8/2014 Curran  
 8,845,727 B2 \* 9/2014 Gottlieb ..... A61F 2/442  
 623/17.11  
 8,920,500 B1 12/2014 Pimenta  
 D721,808 S \* 1/2015 Oi ..... D24/155  
 D724,213 S \* 3/2015 Tyber ..... D24/155  
 8,992,622 B2 \* 3/2015 Ullrich, Jr. .... A61F 2/447  
 623/17.11  
 D735,336 S \* 7/2015 Lovell ..... D24/155  
 9,180,021 B2 11/2015 Curran  
 9,186,261 B2 11/2015 Pimenta  
 9,192,482 B1 11/2015 Pimenta  
 D747,485 S 1/2016 Oi  
 D750,252 S 2/2016 Lovell  
 D754,346 S 4/2016 Pimenta  
 D759,248 S 6/2016 Oi  
 D767,762 S 9/2016 Oi  
 2002/0058950 A1 5/2002 Winterbottom  
 2003/0105528 A1 6/2003 Shimp  
 2003/0125739 A1 \* 7/2003 Bagga ..... A61F 2/4455  
 606/247  
 2003/0139812 A1 7/2003 Garcia  
 2006/0100705 A1 \* 5/2006 Puno ..... A61F 2/30771  
 623/17.11

\* cited by examiner

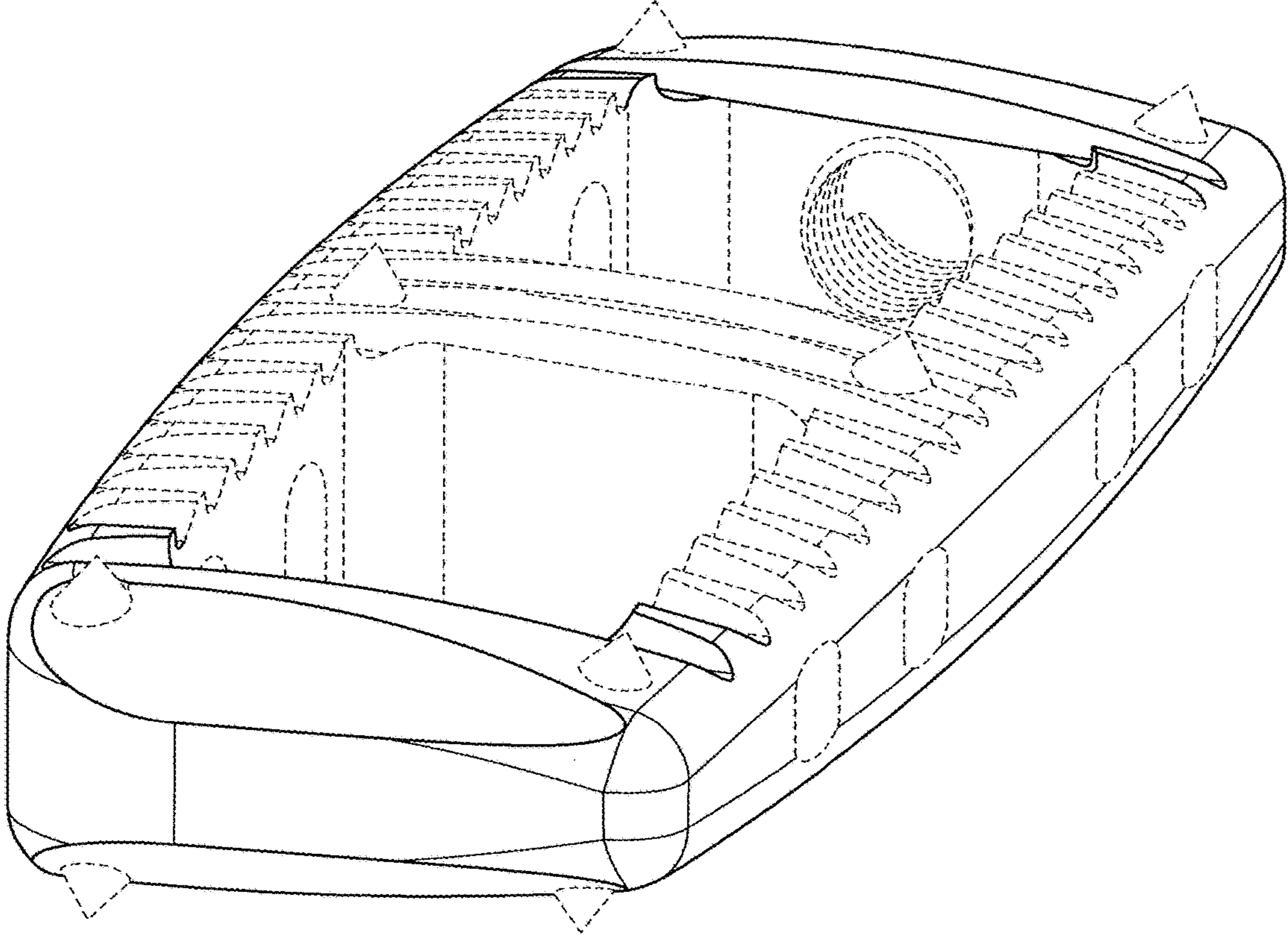


FIG. 1

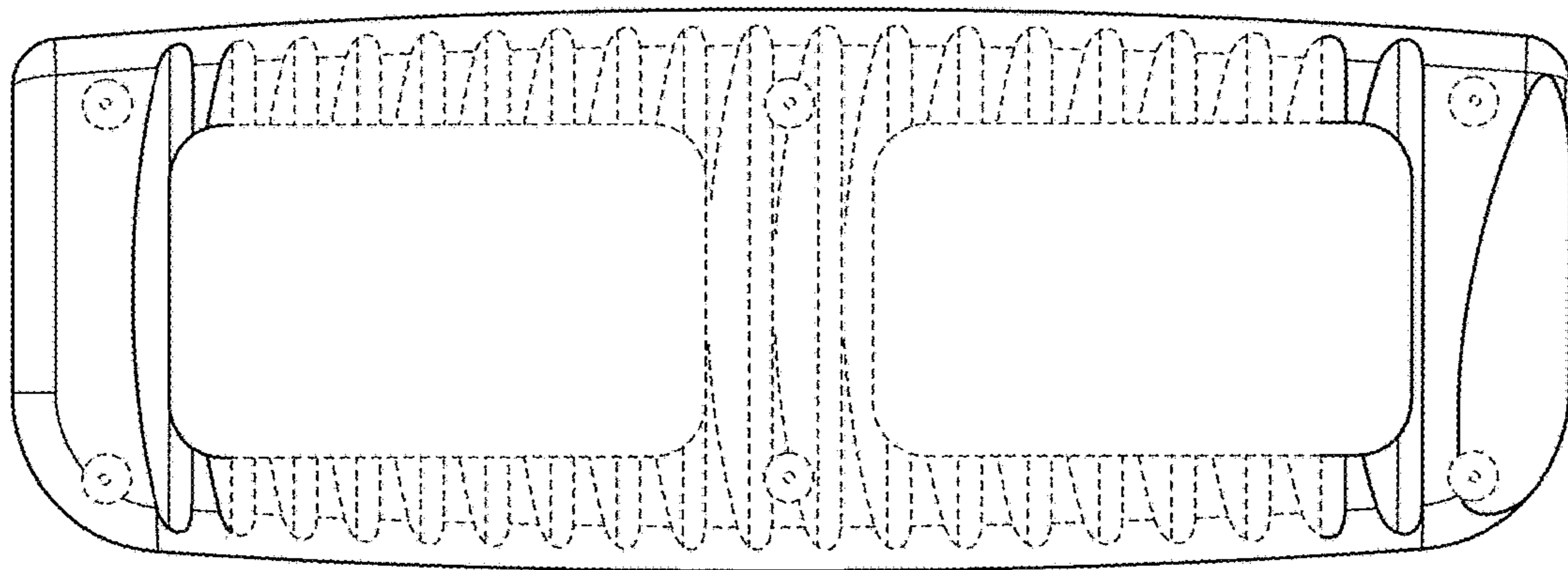


FIG. 2

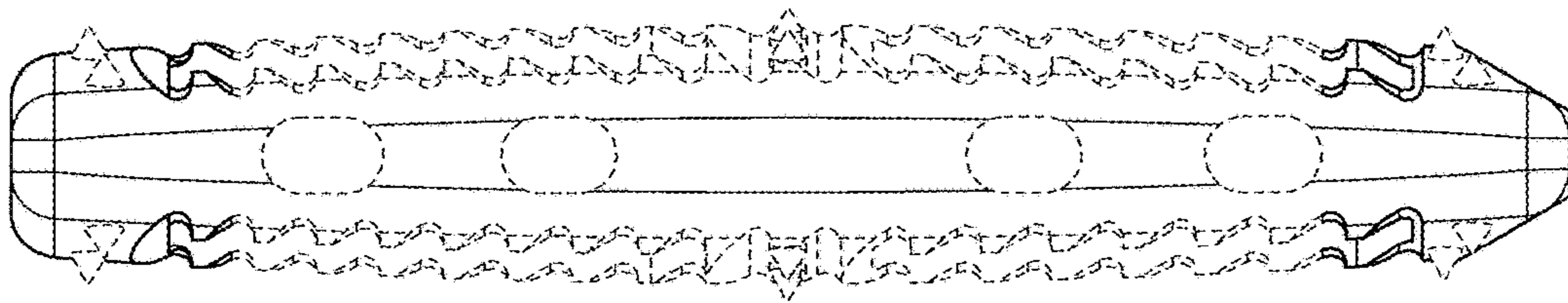


FIG. 3

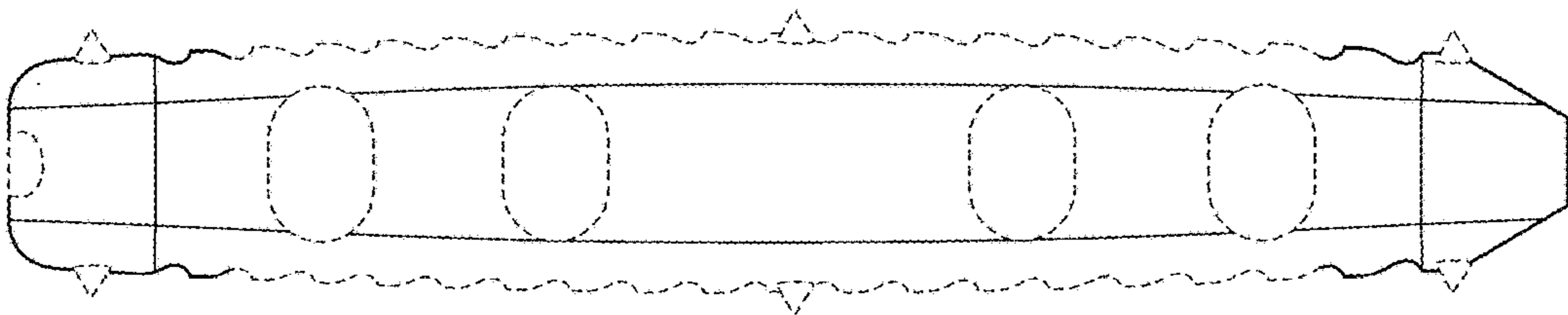


FIG. 4

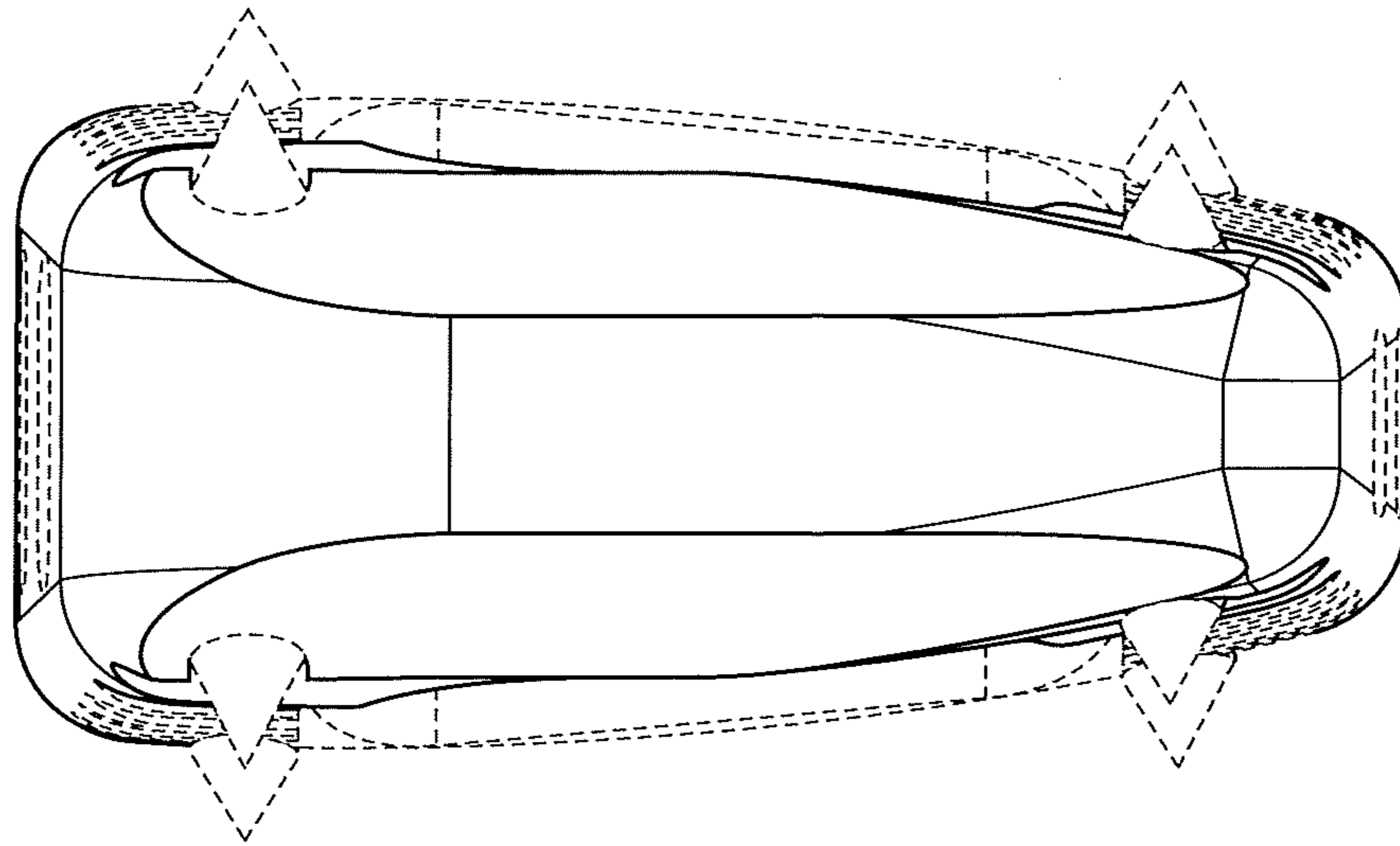


FIG. 5

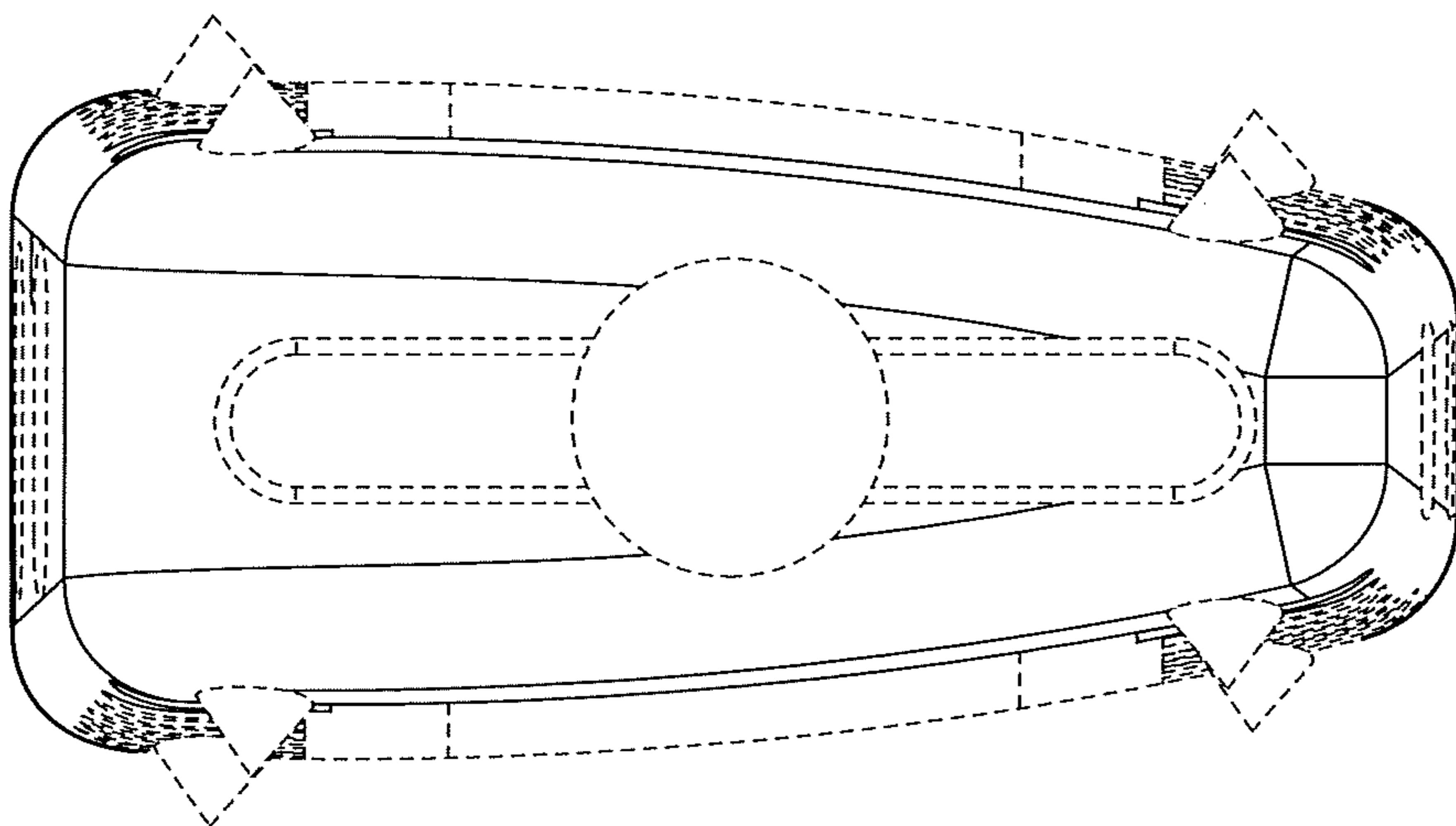


FIG. 6