



US00D788306S

(12) **United States Design Patent** (10) **Patent No.:** **US D788,306 S**
Ladva (45) **Date of Patent:** **** May 30, 2017**

(54) ORAL HYGIENE TOOL	D246,878 S * 1/1978 Kitzis D24/147
	4,455,704 A * 6/1984 Williams A46B 15/0055
(71) Applicant: Suresh Kurji Ladva , Brea, CA (US)	15/111
	D295,695 S * 5/1988 Golzari D24/149
(72) Inventor: Suresh Kurji Ladva , Brea, CA (US)	5,980,541 A 11/1999 Tenzer
	D508,325 S 8/2005 Zunga
(**) Term: 15 Years	D515,817 S 2/2006 Siemer
	D651,808 S * 1/2012 Nguyen D4/108
(21) Appl. No.: 29/545,058	9,055,809 B1 * 6/2015 Ladva A46B 15/0081
	D740,941 S * 10/2015 Ladva D24/152
(22) Filed: Nov. 9, 2015	9,232,854 B2 * 1/2016 Ladva A46B 15/0081
	2009/0235474 A1 * 9/2009 Seigel A46B 15/0055
	15/111
	2012/0222228 A1 * 9/2012 Natividad A46B 15/0081
	15/111

Related U.S. Application Data

(63) Continuation of application No. 14/492,812, filed on Sep. 22, 2014, now Pat. No. 9,232,854.

(51) **LOC (10) Cl.** **24-02**

(52) **U.S. Cl.**
USPC **D24/154**; D24/149

(58) **Field of Classification Search**
USPC D24/152, 156, 154, 147, 149, 146, 133;
D4/108, 104, 113, 118, 116
CPC A46B 5/005; A46B 9/04; A46B 15/0081;
A46B 15/0055; A46B 2200/1066; A61B
17/244; B25G 1/04
See application file for complete search history.

* cited by examiner

Primary Examiner — Wan Laymon

(74) *Attorney, Agent, or Firm* — Eric Karich; Karich & Associates

(57) **CLAIM**

The ornamental design for an oral hygiene tool, as shown and described.

DESCRIPTION

FIG. 1 is a perspective view of an oral hygiene tool, showing my new design;

FIG. 2 is a fragmentary cross-sectional view taken along lines 2-2 in FIG. 1; and,

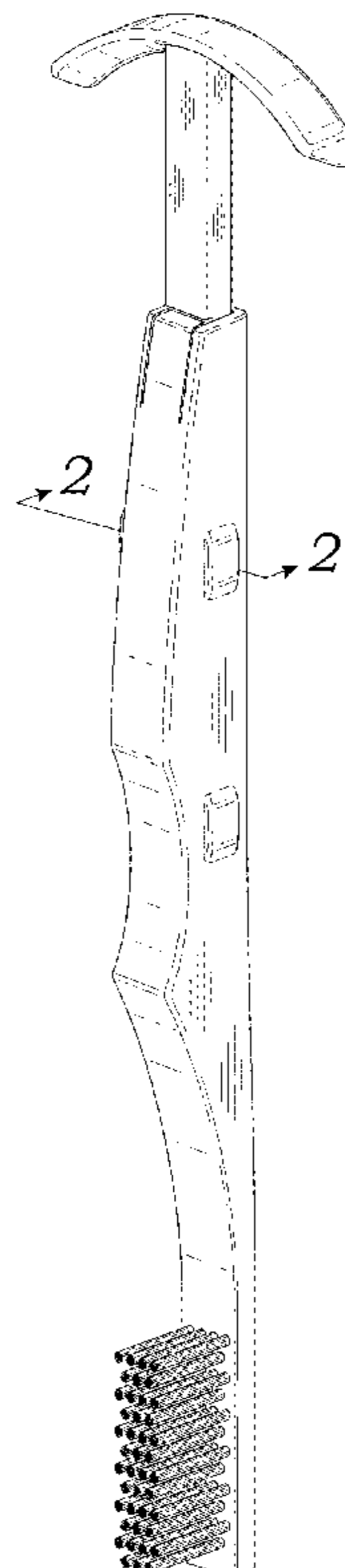
FIG. 3 is a fragmentary exploded perspective view of the oral hygiene tool of FIG. 1.

(56) **References Cited**

U.S. PATENT DOCUMENTS

1,728,956 A	9/1929	Darmitzel	
2,574,654 A *	11/1951	Moore A61B 17/244
			15/111
2,651,068 A	9/1953	Seko	

1 Claim, 2 Drawing Sheets



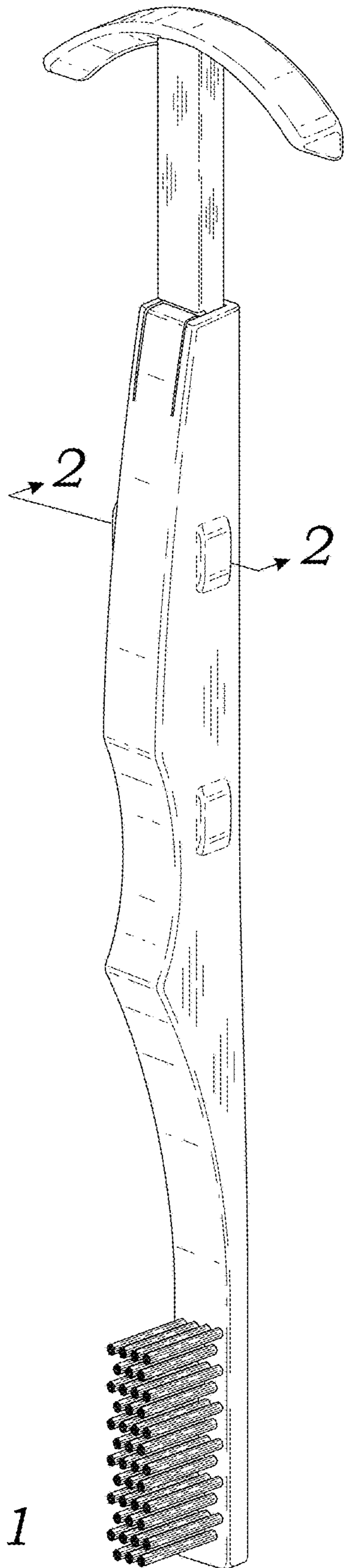


Fig. 1

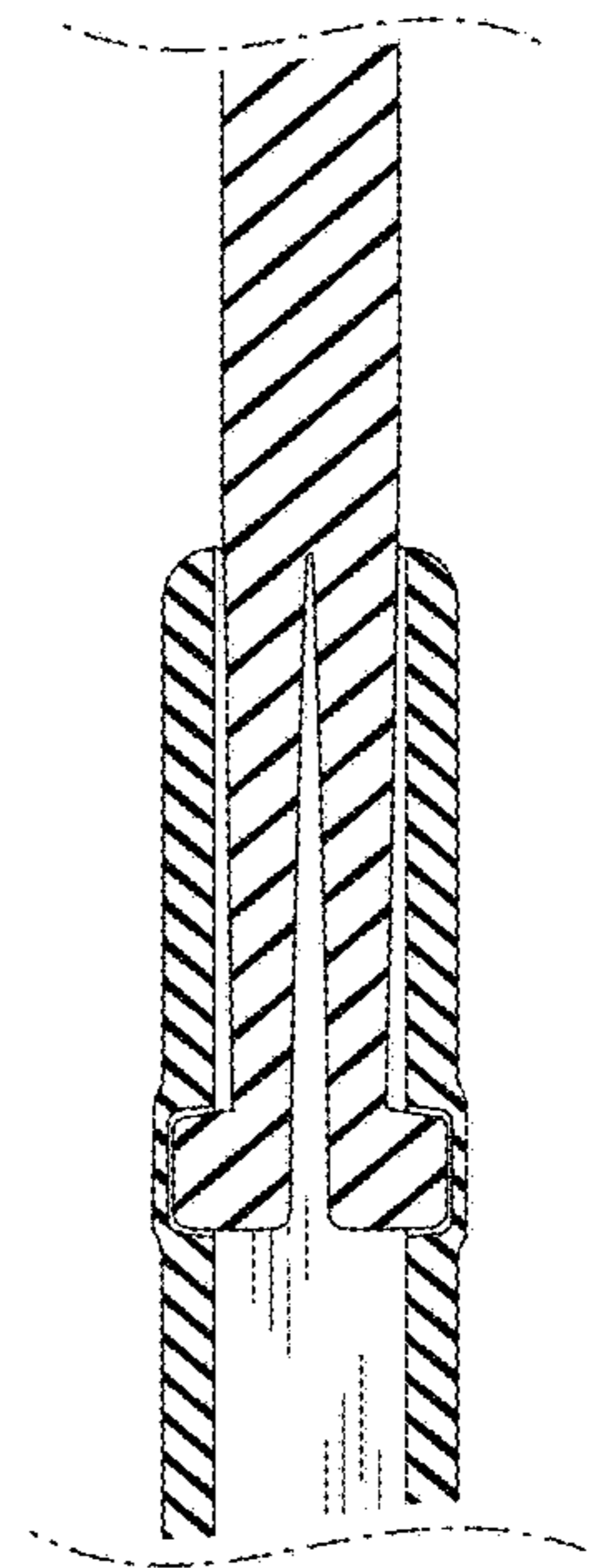


Fig. 2

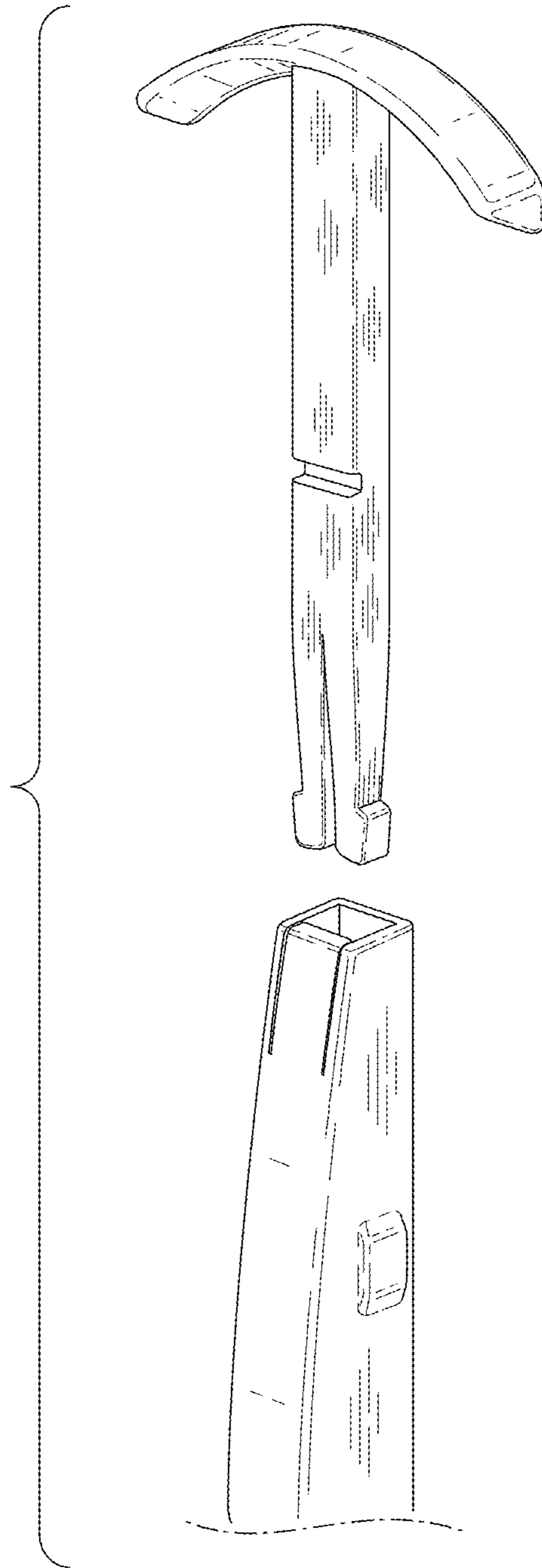


Fig. 3