



US00D788302S

(12) **United States Design Patent**  
**O'Neill et al.**

(10) **Patent No.:** **US D788,302 S**

(45) **Date of Patent:** **\*\* May 30, 2017**

- (54) **KNIFE FOR ENDOSCOPIC ELECTROSURGICAL FORCEPS**
- (71) Applicant: **COVIDIEN LP**, Mansfield, MA (US)
- (72) Inventors: **Sean T. O'Neill**, Los Gatos, CA (US);  
**Jessica E. C. Olson**, Frederick, CO (US)
- (73) Assignee: **COVIDIEN LP**, Mansfield, MA (US)
- (\*\*) Term: **15 Years**
- (21) Appl. No.: **29/542,274**
- (22) Filed: **Oct. 13, 2015**

**Related U.S. Application Data**

- (63) Continuation of application No. 14/043,322, filed on Oct. 1, 2013, now Pat. No. 9,265,566.
- (51) **LOC (10) Cl.** ..... **24-02**
- (52) **U.S. Cl.**  
USPC ..... **D24/146**
- (58) **Field of Classification Search**  
USPC ..... D24/133, 146, 147, 144, 168, 170, 187;  
606/79, 84, 87; D8/5, 20, 92, 99  
See application file for complete search history.

**References Cited**

**U.S. PATENT DOCUMENTS**

3,522,809 A	8/1970	Cornell	
D249,549 S	9/1978	Pike	
D254,326 S *	2/1980	Nevrekar	..... D24/140
D263,020 S	2/1982	Rau, III	
D295,893 S	5/1988	Sharkany et al.	
D295,894 S	5/1988	Sharkany et al.	
D298,353 S	11/1988	Manno	
D299,413 S	1/1989	DeCarolis	

D337,160 S *	7/1993	Evans	..... D24/146
D343,453 S	1/1994	Noda	
D348,930 S	7/1994	Olson	
D349,341 S	8/1994	Lichtman et al.	
D354,564 S	1/1995	Medema	
		(Continued)	

**OTHER PUBLICATIONS**

U.S. Appl. No. 08/926,868, filed Sep. 10, 1997, James G. Chandler.  
(Continued)

*Primary Examiner* — Garth Rademaker  
*Assistant Examiner* — Samantha Q Lawrence

(57) **CLAIM**

The ornamental design for a knife for endoscopic electro-surgical forceps, as shown and described.

**DESCRIPTION**

FIG. 1 is a right, front, perspective view of a knife for endoscopic electro-surgical forceps in accordance with the present design;

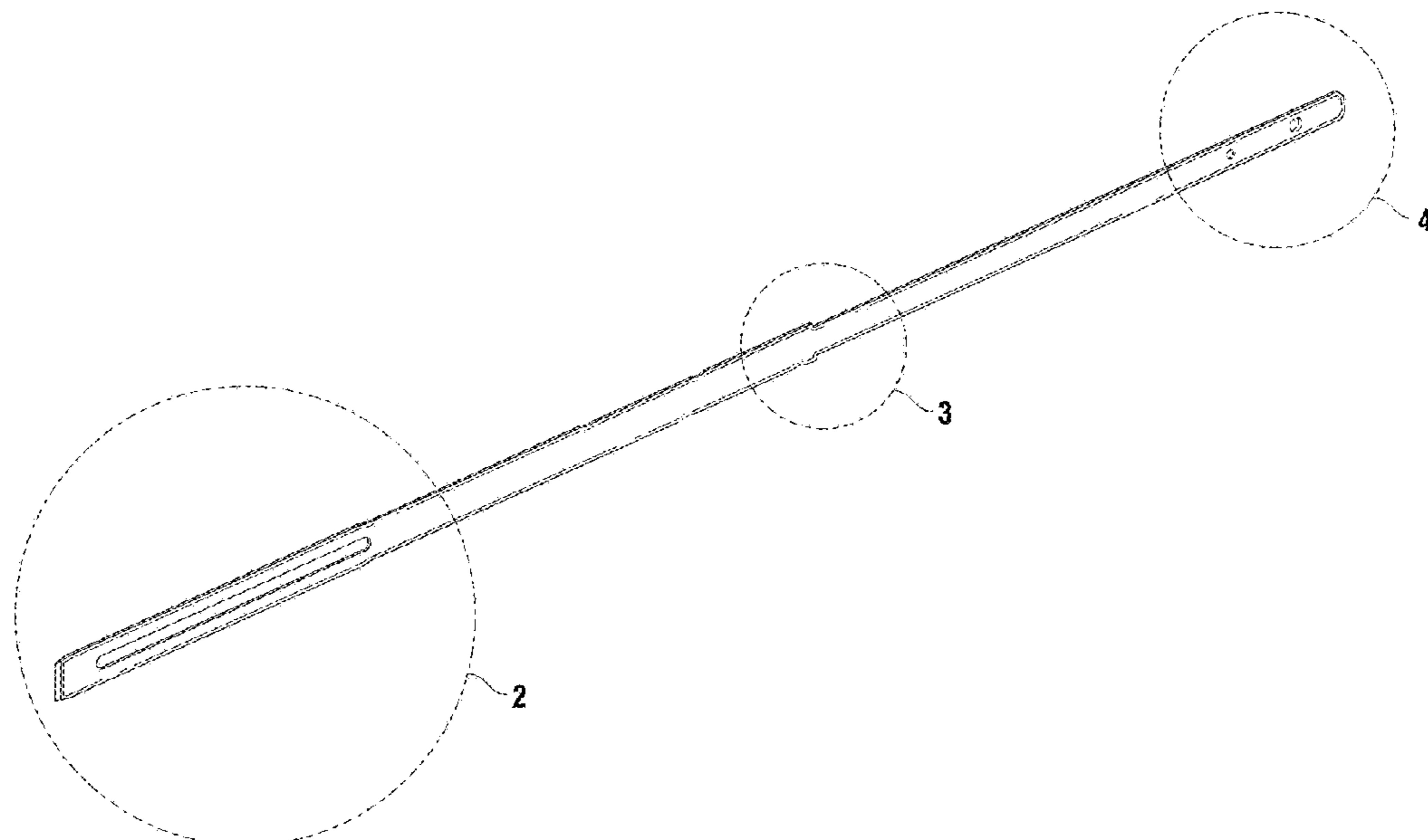
FIG. 2 is an enlarged, right, front, perspective view of the area of detail indicated as "2" in FIG. 1;

FIG. 3 is an enlarged, right, front, perspective view of the area of detail indicated as "3" in FIG. 1; and,

FIG. 4 is an enlarged, right, front, perspective view of the area of detail indicated as "4" in FIG. 1.

The left side of the knife for endoscopic electro-surgical forceps, although not illustrated in the drawings, is an identical mirror image of the right side of the knife for endoscopic electro-surgical forceps, illustrated in FIGS. 1-4. The broken lines on the sides of the article illustrate portions of the knife for endoscopic electro-surgical forceps that form no part of the claimed design. Additional broken lines shown in FIGS. 2-4 illustrate boundaries of the figures and form no part of the claimed design.

**1 Claim, 2 Drawing Sheets**





(56)

## References Cited

## U.S. PATENT DOCUMENTS

2012/0303026	A1	11/2012	Dycus et al.
2012/0310240	A1	12/2012	Olson et al.
2012/0316601	A1	12/2012	Twomey
2012/0323238	A1	12/2012	Tyrrell et al.
2012/0330308	A1	12/2012	Joseph
2012/0330309	A1	12/2012	Joseph
2013/0014375	A1	1/2013	Hempstead et al.
2013/0018364	A1	1/2013	Chernov et al.
2013/0018371	A1	1/2013	Twomey
2013/0018372	A1	1/2013	Sims et al.
2013/0022495	A1	1/2013	Allen, IV et al.
2013/0041370	A1	2/2013	Unger
2013/0041402	A1	2/2013	Chojin et al.
2013/0046295	A1	2/2013	Kerr et al.
2013/0046303	A1	2/2013	Evans et al.
2013/0046306	A1	2/2013	Evans et al.
2013/0046337	A1	2/2013	Evans et al.
2013/0060250	A1	3/2013	Twomey et al.
2013/0066303	A1	3/2013	Hart
2013/0066318	A1	3/2013	Kerr
2013/0071282	A1	3/2013	Fry
2013/0072919	A1	3/2013	Allen, IV et al.
2013/0072927	A1	3/2013	Allen, IV et al.
2013/0079760	A1	3/2013	Twomey et al.
2013/0079762	A1	3/2013	Twomey et al.
2013/0079774	A1	3/2013	Whitney et al.
2013/0082035	A1	4/2013	Allen, IV et al.
2013/0085491	A1	4/2013	Twomey et al.
2013/0085496	A1	4/2013	Unger et al.
2013/0085516	A1	4/2013	Kerr et al.
2013/0103030	A1	4/2013	Garrison
2013/0103031	A1	4/2013	Garrison
2013/0103035	A1	4/2013	Horner et al.
2013/0123837	A1	5/2013	Roy et al.
2013/0138101	A1	5/2013	Kerr
2013/0138102	A1	5/2013	Twomey et al.
2013/0138129	A1	5/2013	Garrison et al.
2013/0144284	A1	6/2013	Behnke, II et al.
2013/0150842	A1	6/2013	Nau, Jr. et al.
2013/0178852	A1	7/2013	Allen, IV et al.
2013/0185922	A1	7/2013	Twomey et al.
2013/0190753	A1	7/2013	Garrison et al.
2013/0190760	A1	7/2013	Allen, IV et al.
2013/0197503	A1	8/2013	Orszulak
2013/0218198	A1	8/2013	Larson et al.
2013/0226177	A1	8/2013	Brandt et al.
2013/0226178	A1	8/2013	Brandt et al.
2013/0232753	A1	9/2013	Ackley et al.
2013/0238016	A1	9/2013	Garrison
2013/0245623	A1	9/2013	Twomey
2013/0247343	A1	9/2013	Horner et al.
2013/0253489	A1	9/2013	Nau, Jr. et al.
2013/0255063	A1	10/2013	Hart et al.
2013/0267948	A1	10/2013	Kerr et al.
2013/0267949	A1	10/2013	Kerr
2013/0270322	A1	10/2013	Scheib et al.
2013/0274736	A1	10/2013	Garrison
2013/0282010	A1	10/2013	McKenna et al.
2013/0289561	A1	10/2013	Waler et al.
2013/0296848	A1	11/2013	Allen, IV et al.
2013/0296854	A1	11/2013	Mueller
2013/0296856	A1	11/2013	Unger et al.
2013/0296922	A1	11/2013	Allen, IV et al.
2013/0296923	A1	11/2013	Twomey et al.
2013/0304058	A1	11/2013	Kendrick
2013/0304059	A1	11/2013	Allen, IV et al.
2013/0304066	A1	11/2013	Kerr et al.
2013/0310832	A1	11/2013	Kerr et al.
2013/0325057	A1	12/2013	Larson et al.
2013/0331837	A1	12/2013	Larson
2013/0338666	A1	12/2013	Bucciaglia et al.
2013/0338693	A1	12/2013	Kerr et al.
2013/0345701	A1	12/2013	Allen, IV et al.
2013/0345706	A1	12/2013	Garrison
2013/0345735	A1	12/2013	Mueller
2014/0005663	A1	1/2014	Heard et al.
2014/0005666	A1	1/2014	Moua et al.
2014/0025052	A1	1/2014	Nau, Jr. et al.
2014/0025053	A1	1/2014	Nau, Jr. et al.
2014/0025059	A1	1/2014	Kerr
2014/0025060	A1	1/2014	Kerr
2014/0025066	A1	1/2014	Kerr
2014/0025067	A1	1/2014	Kerr et al.
2014/0025070	A1	1/2014	Kerr et al.
2014/0025073	A1	1/2014	Twomey et al.
2014/0046323	A1	2/2014	Payne et al.
2014/0066910	A1	3/2014	Nau, Jr.
2014/0066911	A1	3/2014	Nau, Jr.
2014/0074091	A1	3/2014	Arya et al.
2014/0100564	A1	4/2014	Garrison
2014/0100568	A1	4/2014	Garrison

## OTHER PUBLICATIONS

U.S. Appl. No. 09/177,950, filed Oct. 23, 1998, Randel A. Frazier.  
U.S. Appl. No. 09/387,883, filed Sep. 1, 1999, Dale F. Schmaltz.  
U.S. Appl. No. 09/591,328, filed Jun. 9, 2000, Thomas P. Ryan.  
U.S. Appl. No. 12/336,970, filed Dec. 17, 2008, Paul R. Sremeich.  
U.S. Appl. No. 13/085,144, filed Apr. 12, 2011, Keir Hart.  
U.S. Appl. No. 13/731,674, filed Dec. 31, 2012, Siebrecht.

\* cited by examiner

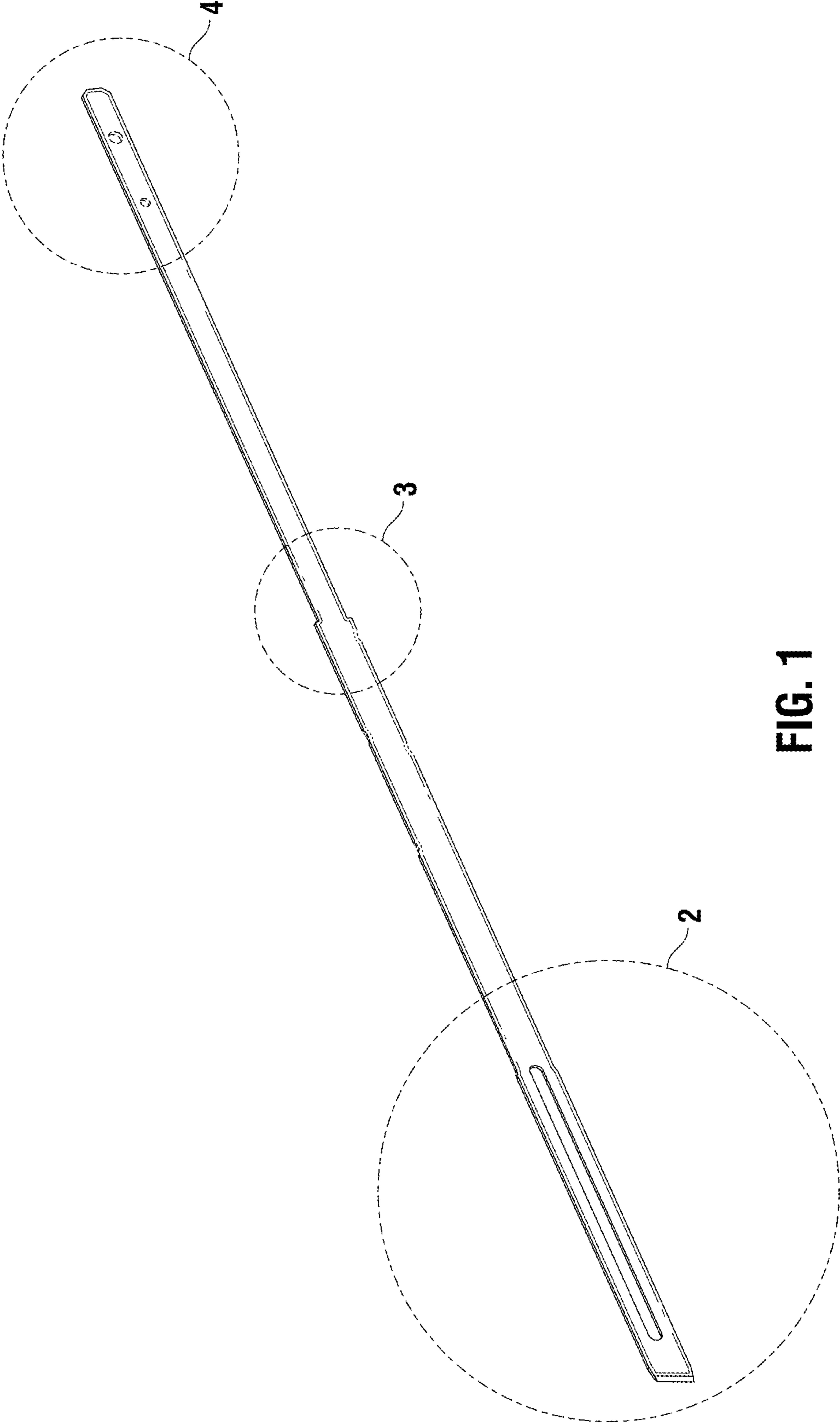
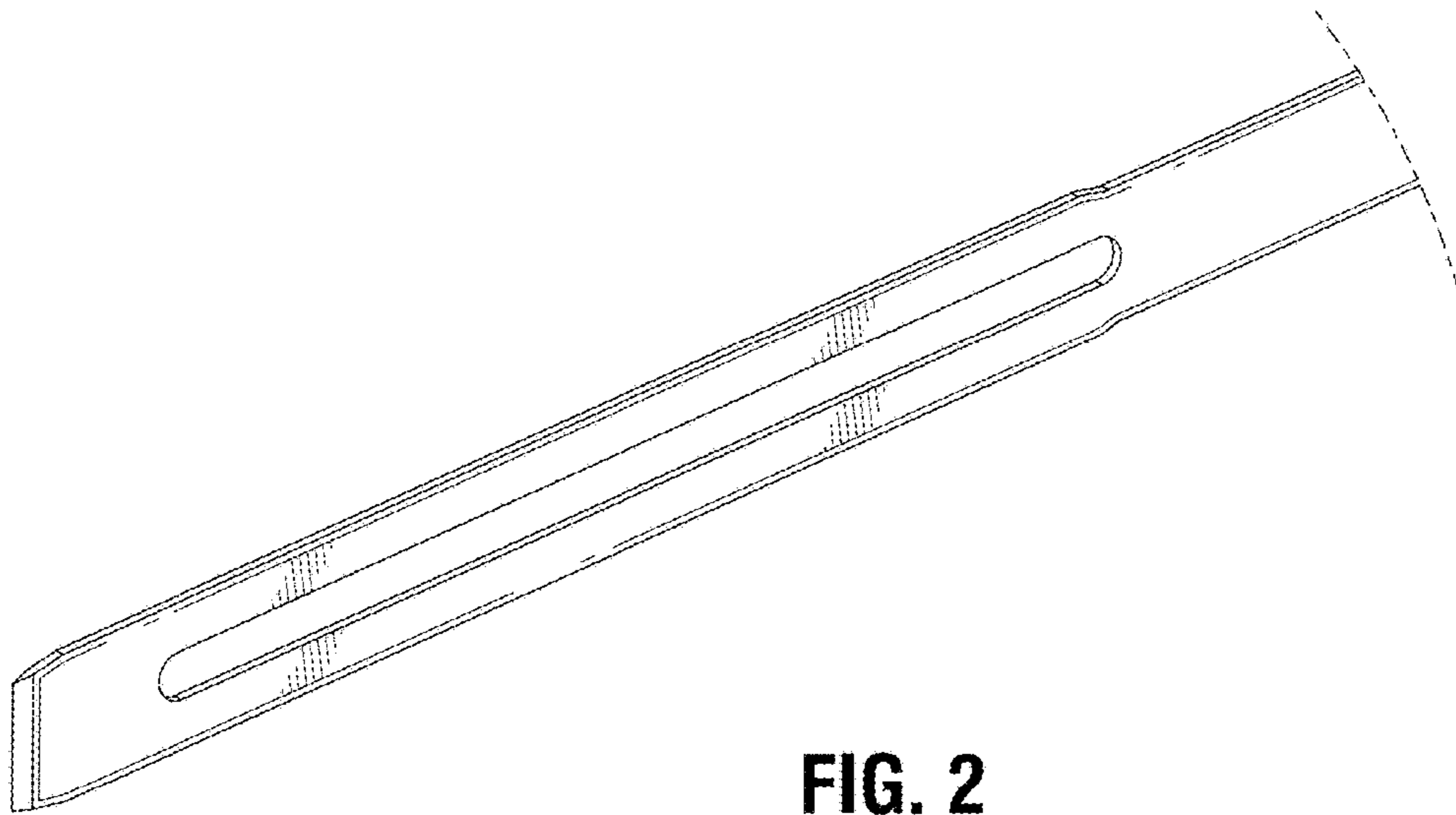
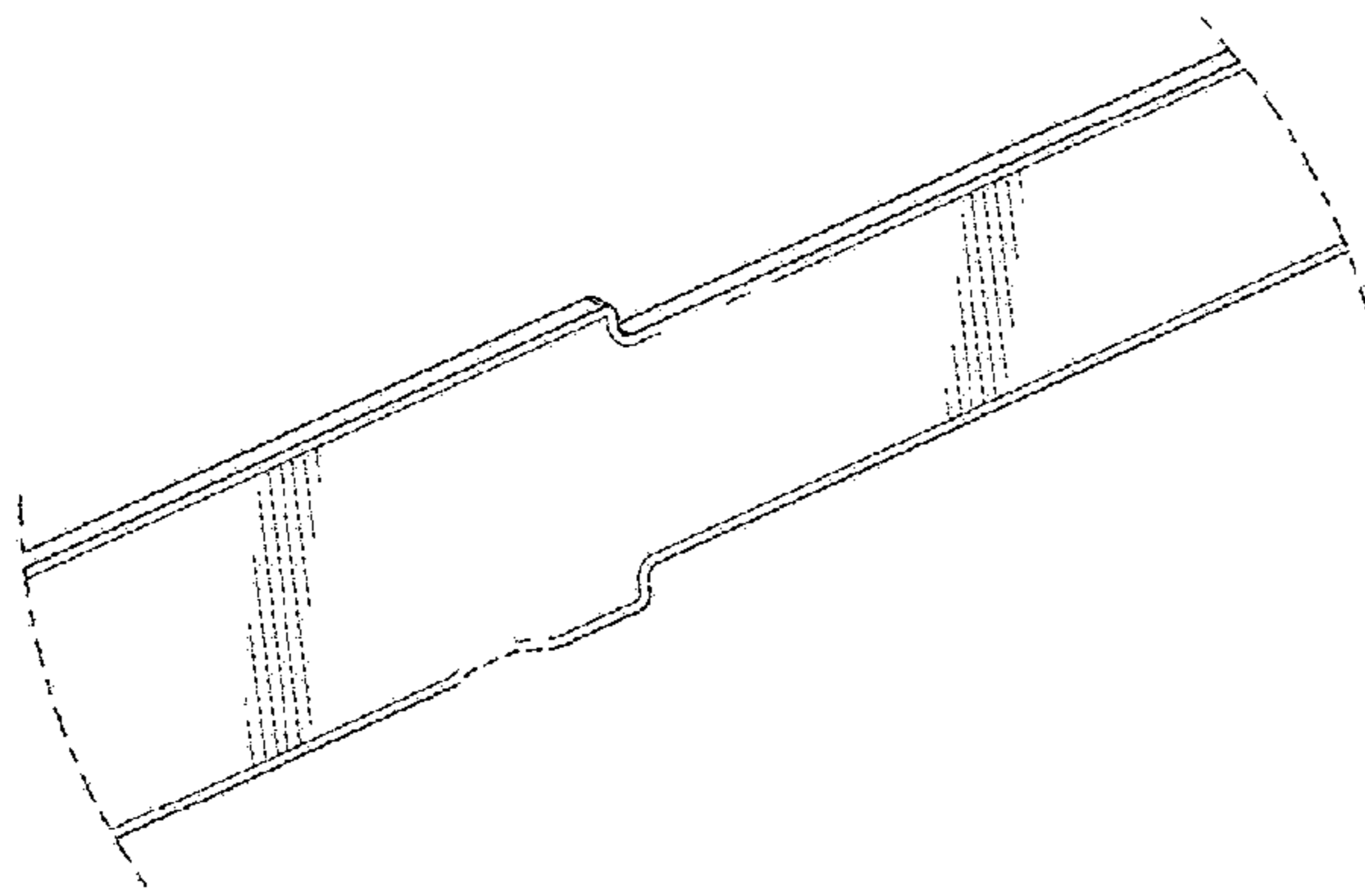


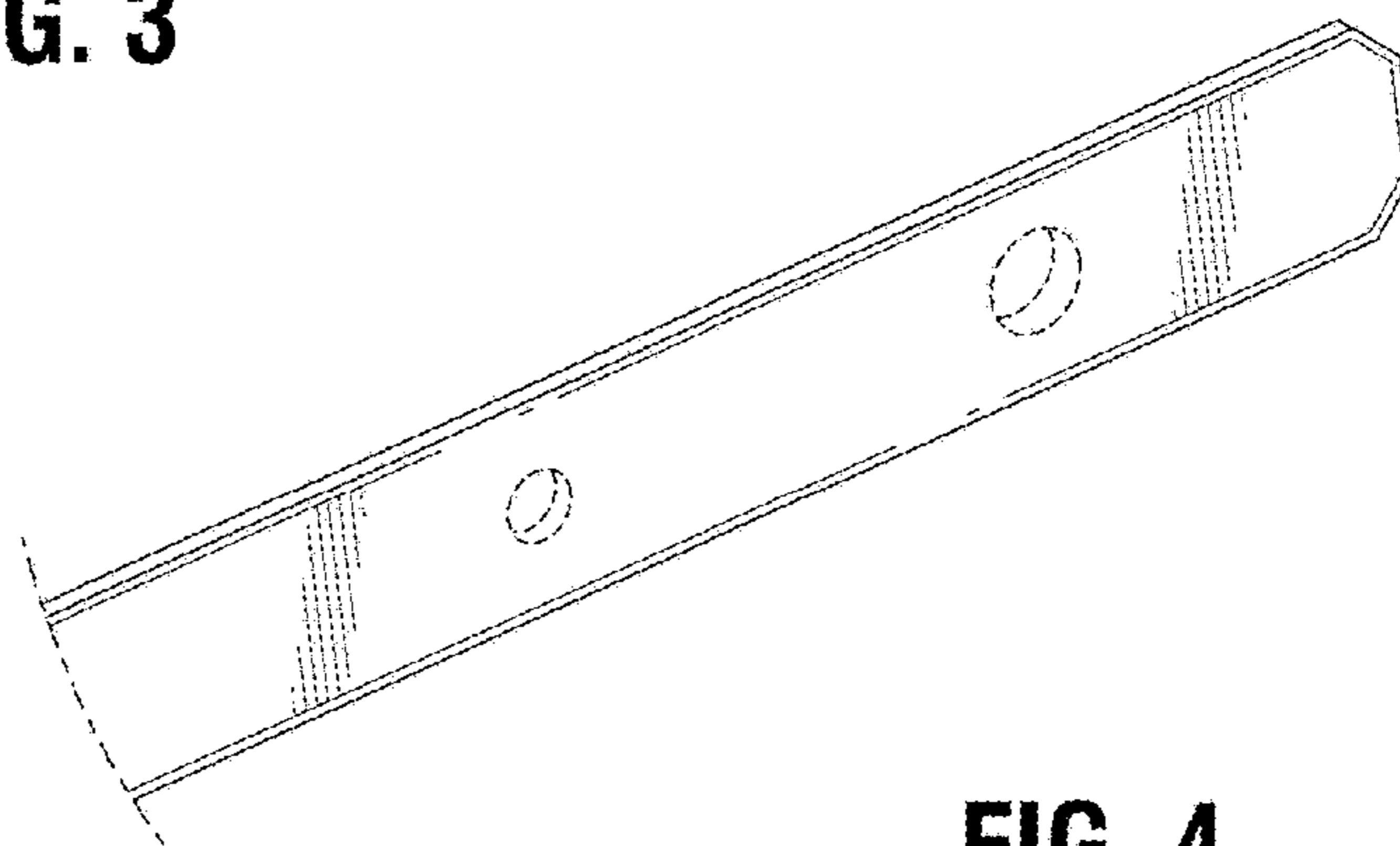
FIG. 1



**FIG. 2**



**FIG. 3**



**FIG. 4**