



US00D788301S

(12) **United States Design Patent** (10) **Patent No.:** **US D788,301 S**
Edwards et al. (45) **Date of Patent:** **** May 30, 2017**

(54) **DRILL**

(71) Applicant: **Gyrus ACMI, Inc.**, Southborough, MA (US)

(72) Inventors: **Kevin C. Edwards**, Olive Branch, MS (US); **Jay A. Casey**, Memphis, TN (US); **Peter Wong**, Arlington, TN (US); **Jesse Conrad**, Cordova, TN (US); **Manfred Held**, Hamburg (DE); **Ronny Staps**, Hamburg (DE)

(73) Assignee: **GYRUS ACMI INC**, Southborough, MI (US)

(**) Term: **14 Years**

(21) Appl. No.: **29/524,744**

(22) Filed: **Apr. 23, 2015**

(51) **LOC (10) Cl.** **24-02**

(52) **U.S. Cl.**
USPC **D24/146**

(58) **Field of Classification Search**
USPC D24/146, 147, 148, 113, 133, 137, 138;
D8/61, 68; 606/45, 49, 109, 162; 604/35
See application file for complete search history.

(56) **References Cited**

U.S. PATENT DOCUMENTS

D245,789 S 9/1977 Shea et al.
4,917,274 A * 4/1990 Asa B01L 3/0275
222/420
5,222,956 A 6/1993 Waldron
(Continued)

OTHER PUBLICATIONS

Potentially related design U.S. Appl. No. 29/524,747, filed Apr. 23, 2015.

(Continued)

Primary Examiner — Thomas Johannes

Assistant Examiner — Samantha Q Lawrence

(74) *Attorney, Agent, or Firm* — The Dobrusin Law Firm, P.C.; Daniel P. Aleksynas

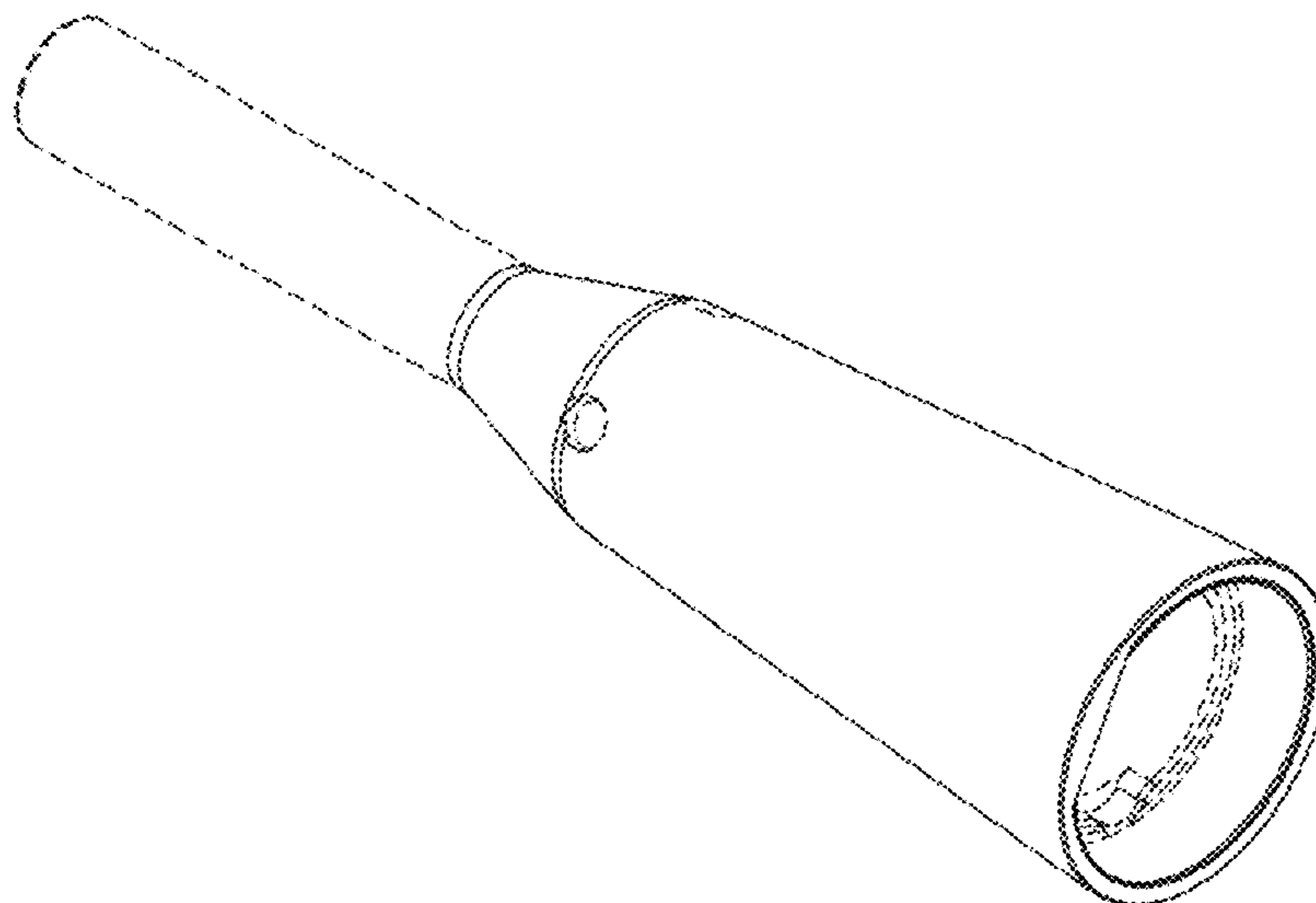
(57) **CLAIM**

The ornamental design for a drill, as shown and described.

DESCRIPTION

FIG. 1 is a perspective view of drill.
FIG. 2 is a top elevational view of FIG. 1.
FIG. 3 is a bottom elevational view of FIG. 1.
FIG. 4 is a side elevational view of FIG. 1, the other side being a mirror image.
FIG. 5 is an enlarged scale rear elevational view of FIG. 1.
FIG. 6 is an enlarged scale front elevational view of FIG. 1.
FIG. 7 is a perspective view of the drill in an environmental use.
FIG. 8 is a top elevational view of FIG. 7.
FIG. 9 is a bottom elevational view of FIG. 7.
FIG. 10 is a side elevational view of FIG. 7, the other side being a mirror image.
FIG. 11 is an enlarged scale rear elevational view of FIG. 7.
FIG. 12 is an enlarged scale front elevational view of FIG. 7.
FIG. 13 is a perspective view of the drill in a second environmental use; and,
FIG. 14 is a perspective view of the drill in a third environmental use.
The broken lines shown in FIGS. 1-6 illustrate portions of the drill that form no part of the claimed designs. The broken lines shown in FIGS. 7-14 illustrate the drill in an environment of use and forms no part of the claimed design.

1 Claim, 8 Drawing Sheets



(56)

References Cited

U.S. PATENT DOCUMENTS

5,505,737 A 4/1996 Gosselin et al.
 5,888,200 A 3/1999 Walen
 D419,238 S * 1/2000 Maissami D24/119
 6,037,724 A 3/2000 Buss et al.
 6,113,596 A 9/2000 Hooven et al.
 6,733,218 B2 5/2004 Del Rio
 7,001,391 B2 2/2006 Estes et al.
 7,448,870 B2 11/2008 Maitre
 7,559,927 B2 * 7/2009 Shores A61B 17/162
 606/79
 8,002,770 B2 * 8/2011 Swanson A61B 18/1492
 606/41
 8,277,474 B2 10/2012 Norman et al.
 D687,143 S * 7/2013 Ogura D24/119
 8,597,316 B2 * 12/2013 McCombs A61B 17/162
 606/167
 D717,941 S * 11/2014 Mach D24/113
 9,050,113 B2 * 6/2015 Bloom A61B 17/1671
 9,056,193 B2 * 6/2015 Ignon A61M 35/003
 9,265,407 B2 * 2/2016 Goldfarb A61B 1/00135
 9,402,626 B2 * 8/2016 Ortiz A61B 17/068
 9,402,635 B2 * 8/2016 Boykin A61B 17/141
 9,402,680 B2 * 8/2016 Ginnebaugh A61B 18/085
 9,433,437 B2 * 9/2016 Kesten A61B 17/24
 9,468,362 B2 * 10/2016 Goldfarb A61B 1/018

D771,253 S * 11/2016 Osada D24/138
 D773,661 S * 12/2016 Funakoshi D24/138
 2003/0114850 A1 6/2003 McClurken et al.
 2003/0181904 A1 9/2003 Levine et al.

OTHER PUBLICATIONS

Potentially related design U.S. Appl. No. 29/524,746, filed Apr. 23, 2015.
 Visao Handpiece image obtained from <<http://www.orientmed.org/ViewProduct.aspx?id=25>> last accessed Jun. 19, 2015.
 Image of Drill Surgical Power Tool, EPV-220 series DeSoutter Medical obtained from <<http://www.medicalexpo.com/prod/desoutter-medical/product-68192-420003.html>> last accessed Jun. 19, 2015.
 Image of Stryker 5400-100 Core U Drill obtained from <http://www.re-owned.com/itemcode-57n82n1_003> last accessed Jun. 19, 2015.
 Image of China Micro Bone Drill from Shanghai Bojin Medical Instrument Co., Ltd. Obtained from <<http://shbojin.en.made-in-china.com/product/LBimKWEdXUhV/China-Micro-Bone-Drill.html>> last accessed Jun. 19, 2015.
 Olympus, Viper Otology Drill System, 4 pages, published Aug. 2010.

* cited by examiner

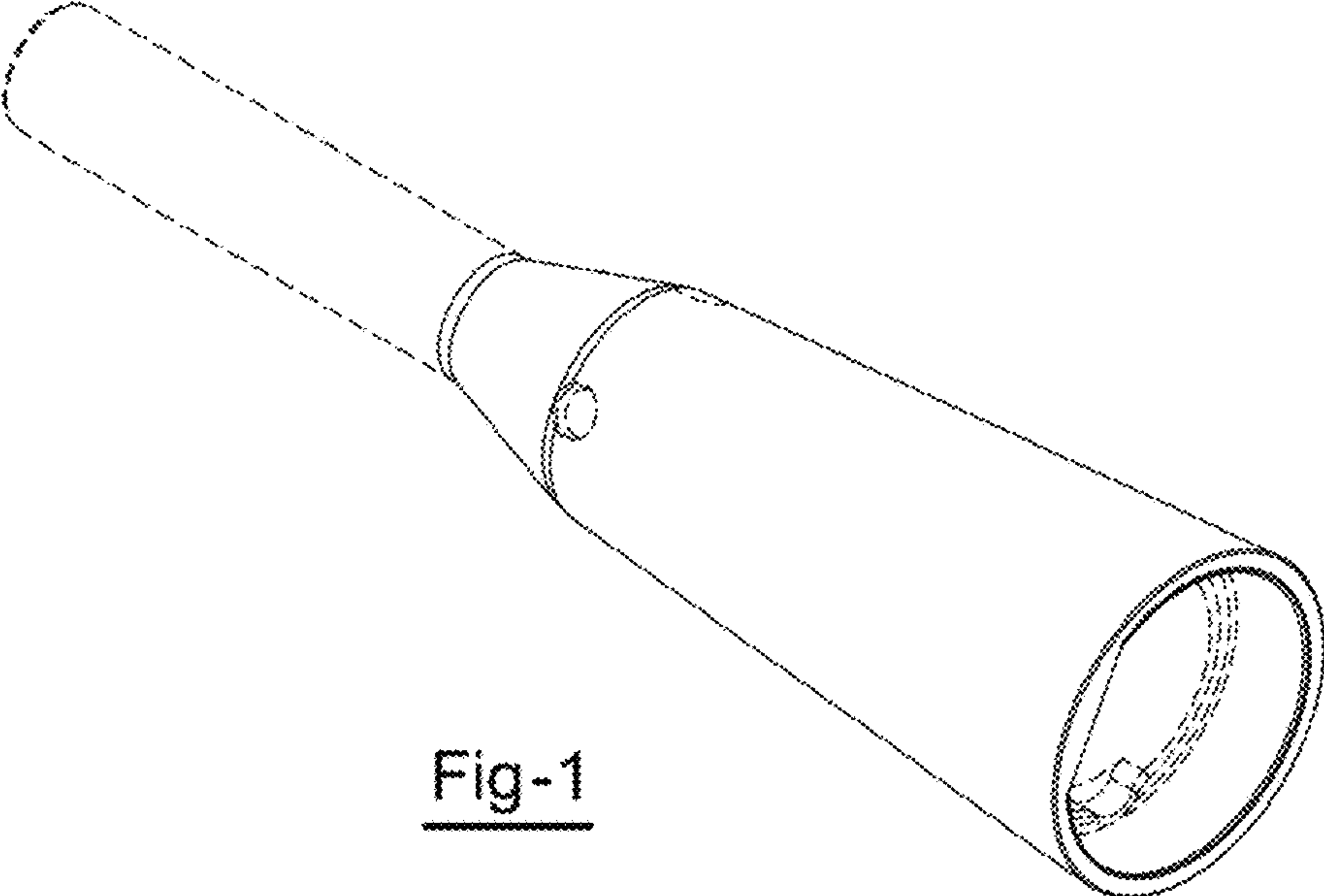


Fig-1

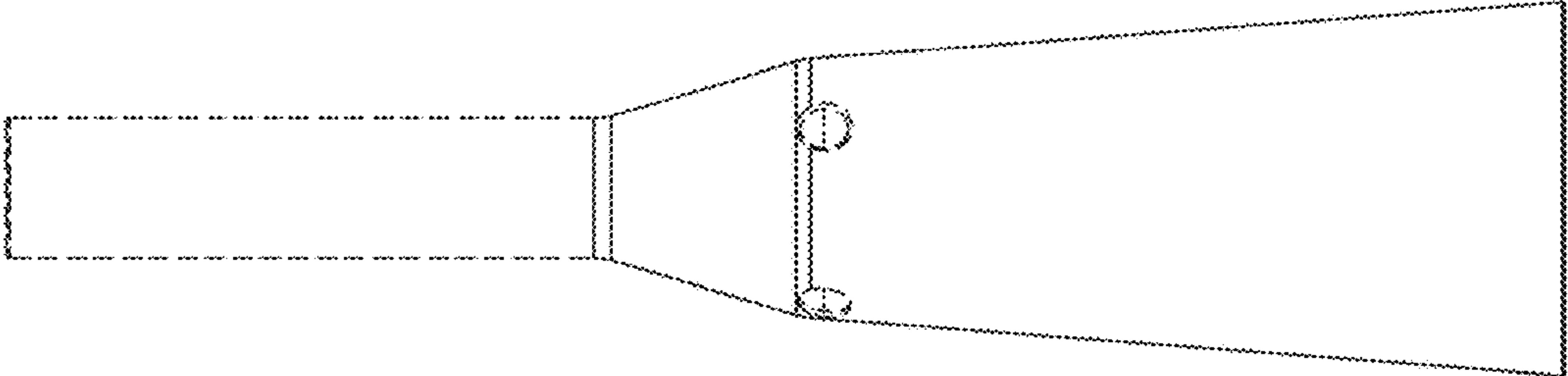


Fig-2

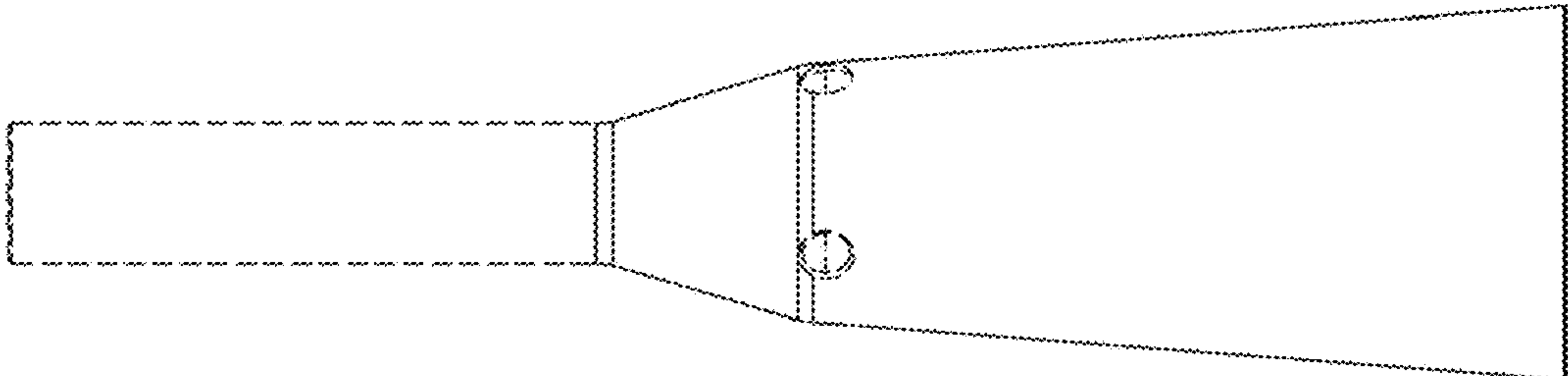


Fig-3

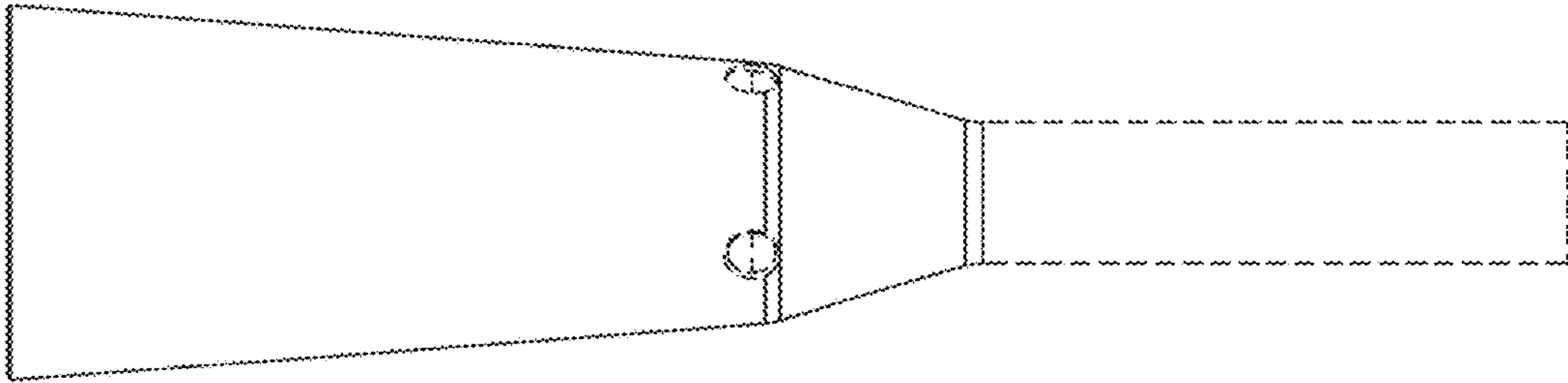


Fig-4

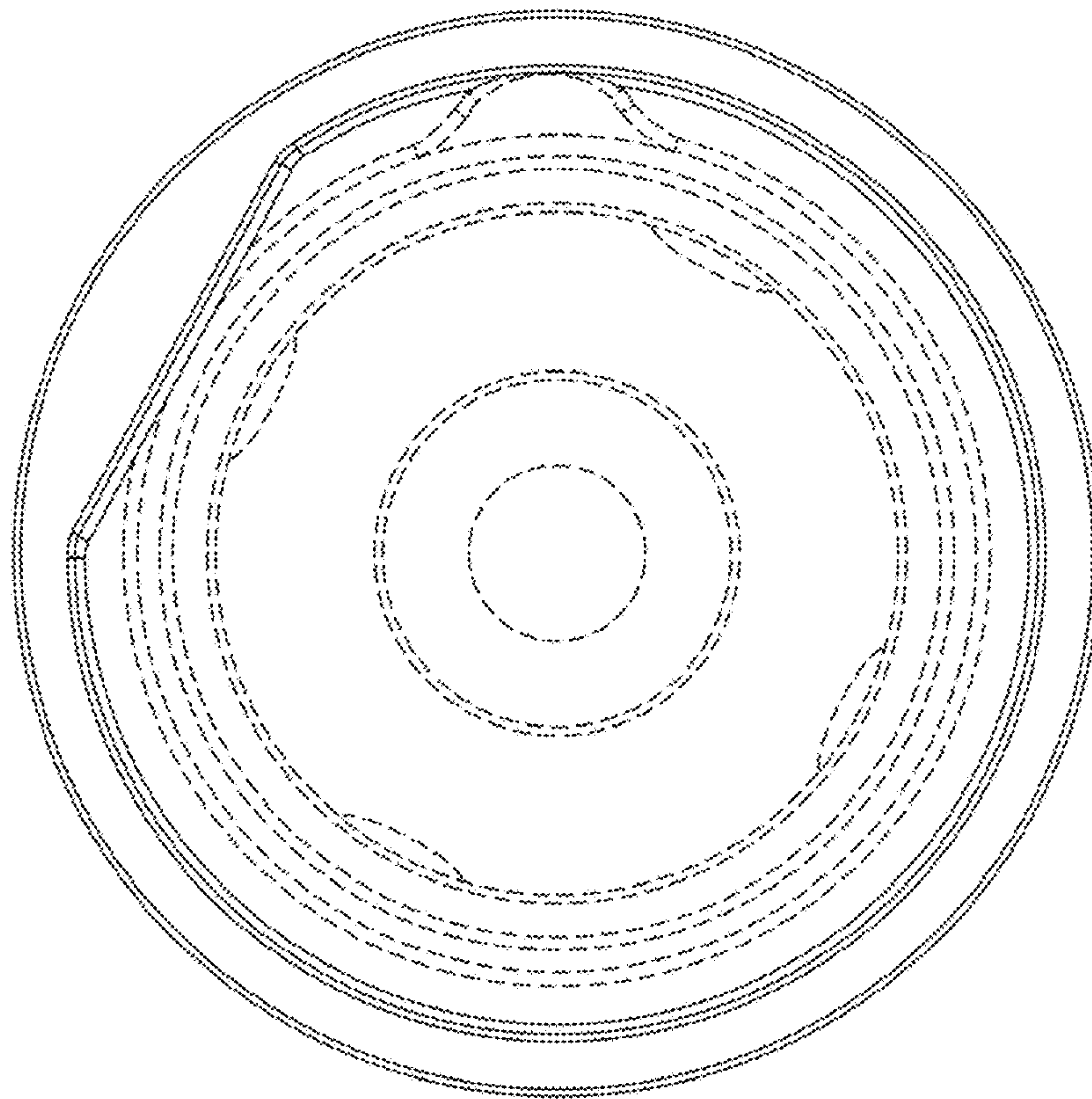


Fig-5

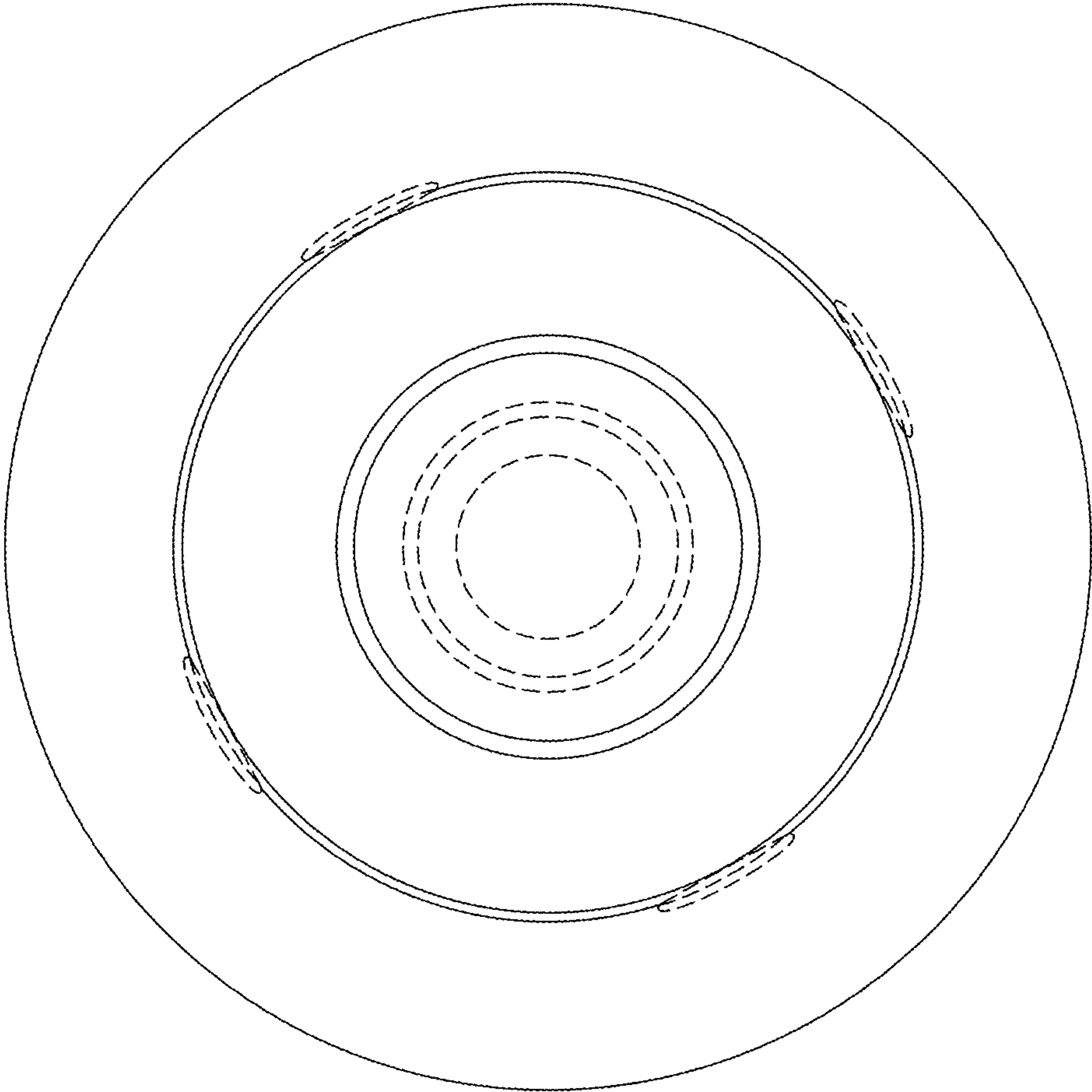


Fig-6

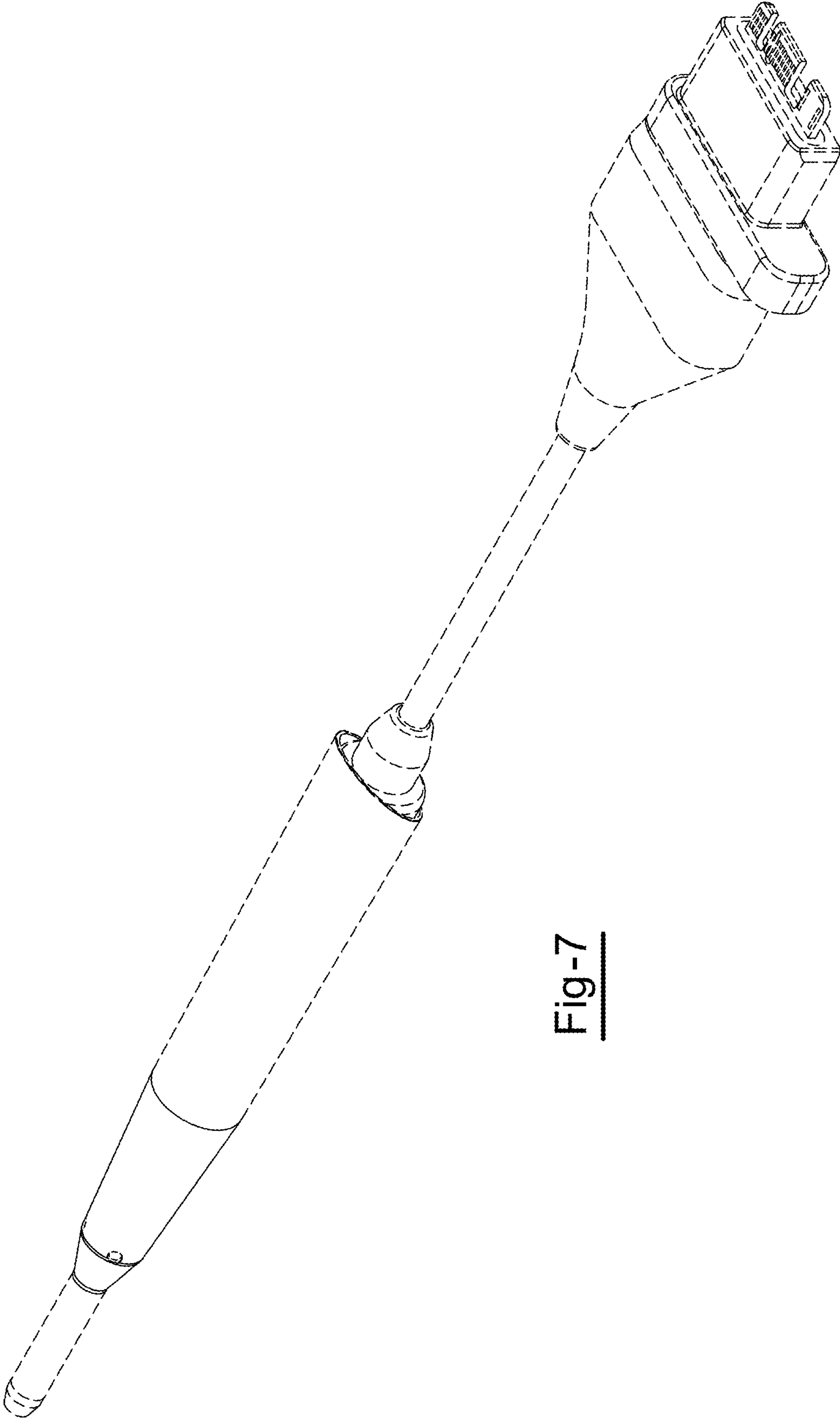


Fig-7

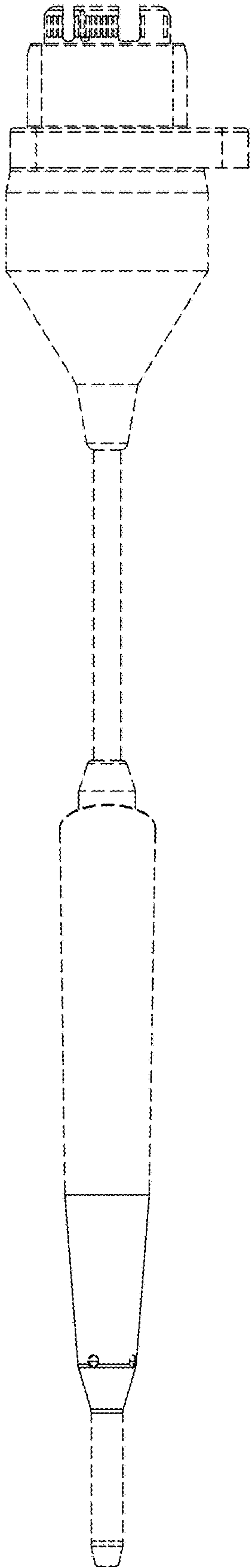


Fig-8

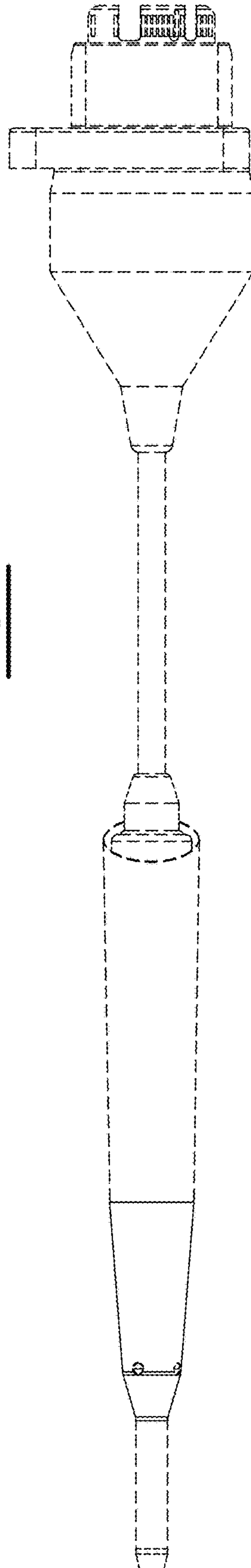


Fig-9

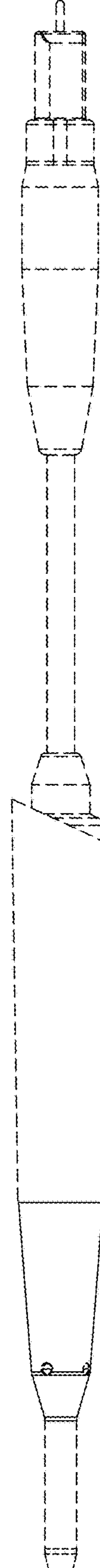


Fig-10

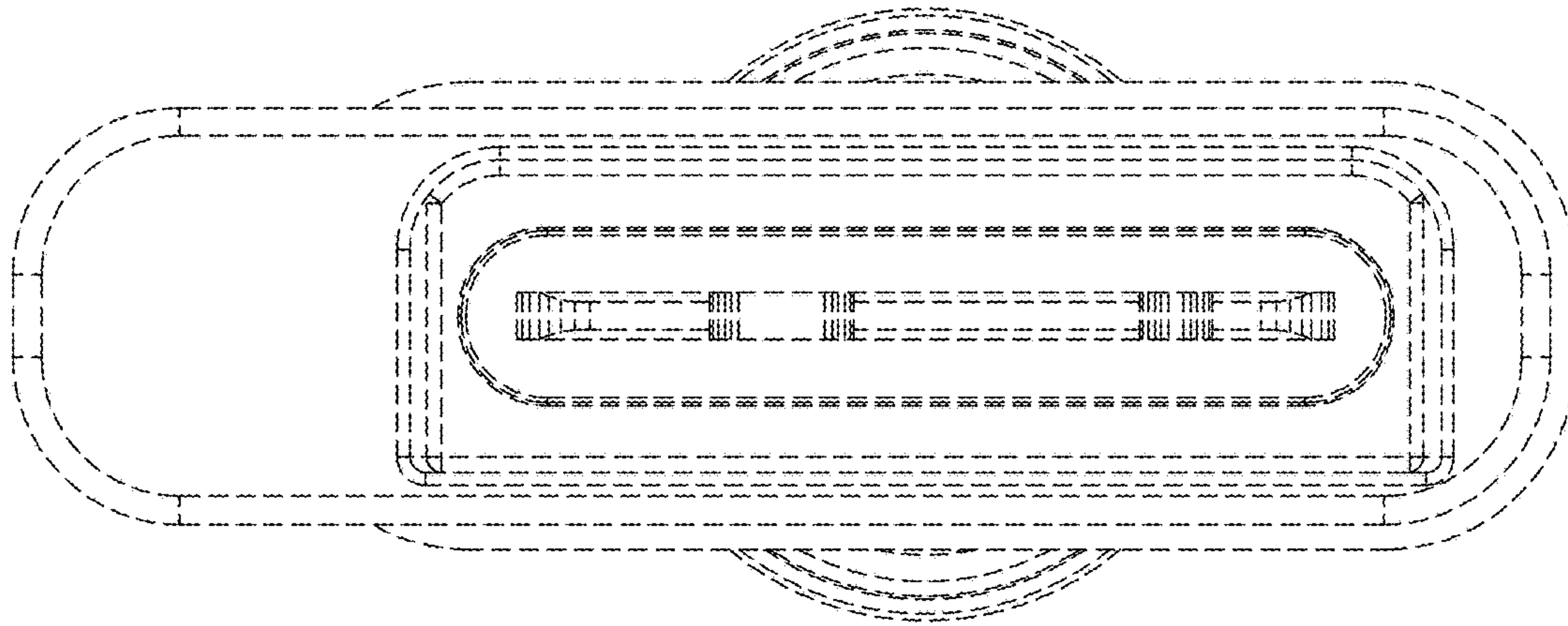


Fig-11

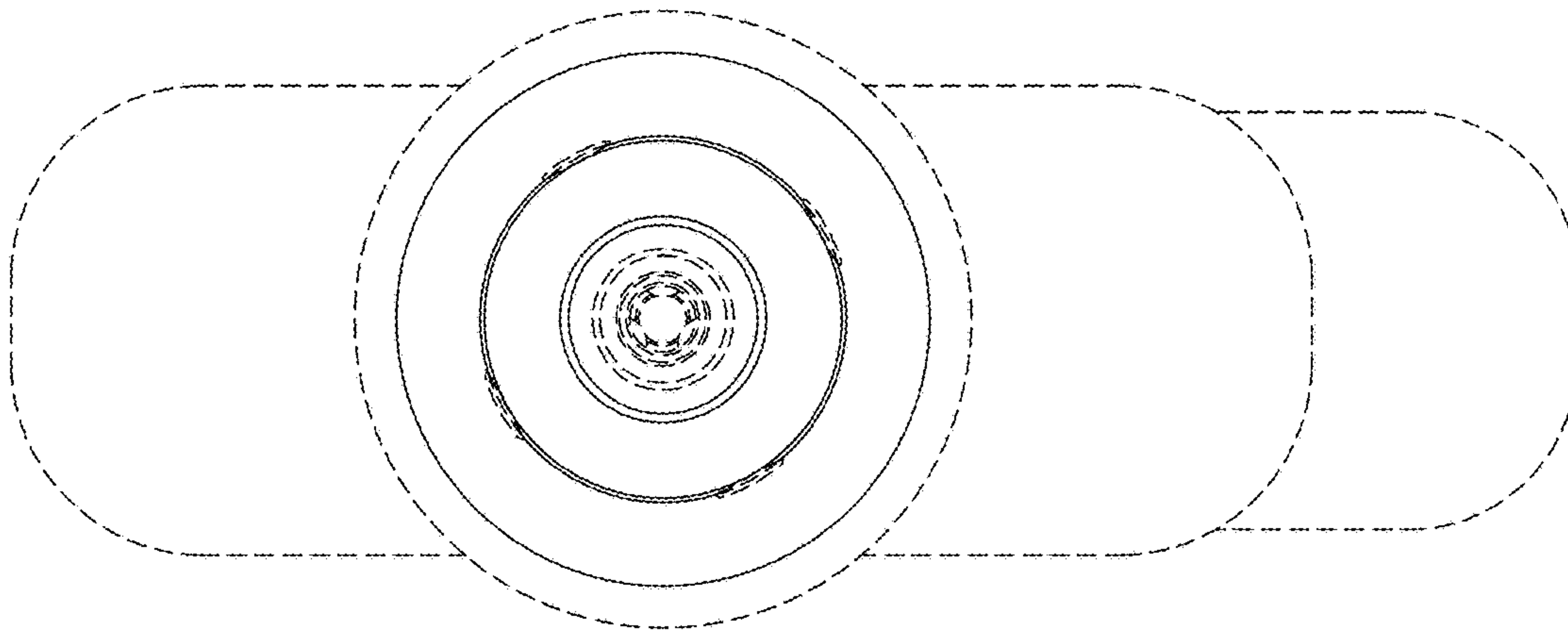


Fig-12

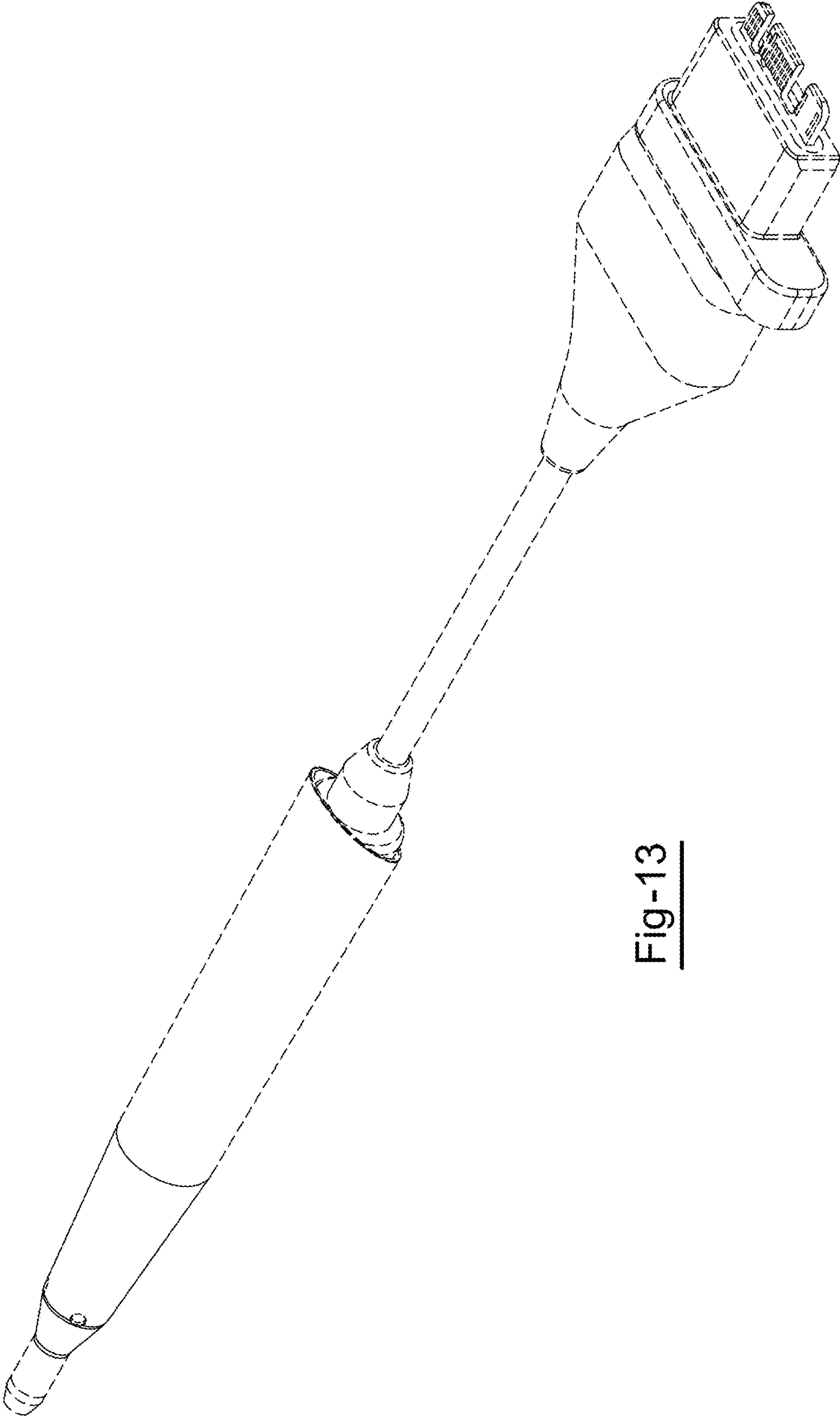


Fig-13

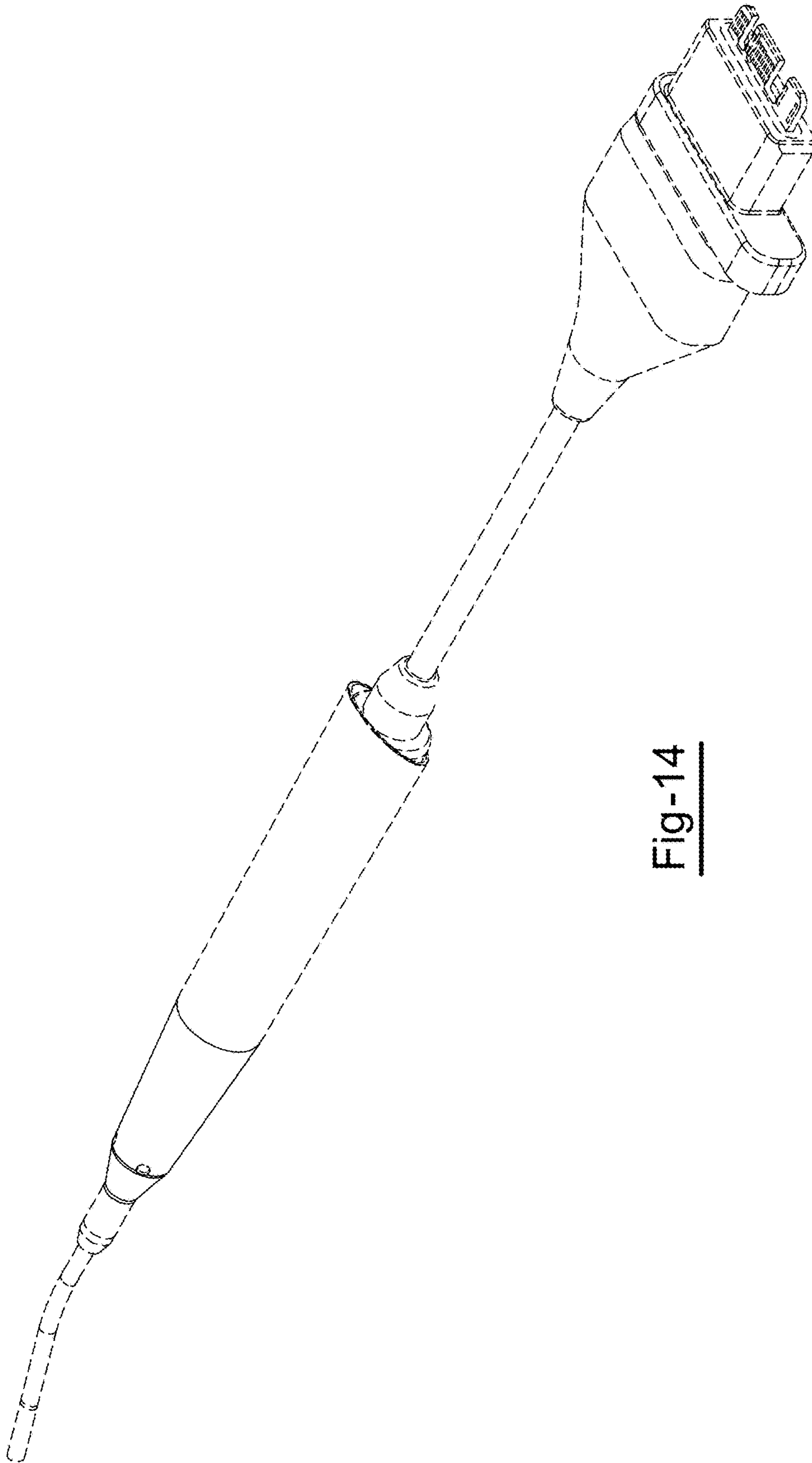


Fig-14