



US00D788300S

(12) **United States Design Patent**
Kubiak et al.

(10) **Patent No.:** **US D788,300 S**

(45) **Date of Patent:** **** May 30, 2017**

(54) **GRID POSITIONING DEVICE**

(71) Applicants: **Erik Noble Kubiak**, Salt Lake City, UT (US); **Jeremy Gililland**, Salt Lake City, UT (US); **Richard Boddington**, Salt Lake City, UT (US); **Edouard Saget**, Salt Lake City, UT (US)

(72) Inventors: **Erik Noble Kubiak**, Salt Lake City, UT (US); **Jeremy Gililland**, Salt Lake City, UT (US); **Richard Boddington**, Salt Lake City, UT (US); **Edouard Saget**, Salt Lake City, UT (US)

(73) Assignee: **Orthogrid Systems, Inc.**, Salt Lake City, UT (US)

(**) Term: **15 Years**

(21) Appl. No.: **29/543,601**

(22) Filed: **Oct. 27, 2015**

(51) **LOC (10) Cl.** **24-02**

(52) **U.S. Cl.**
USPC **D24/140; D24/133**

(58) **Field of Classification Search**
USPC D24/140, 231, 133, 137, 138, 158, 170, D24/171, 186, 144, 155
CPC A61B 19/5225; A61B 90/37; A61B 6/12; A61B 6/487; A61B 8/0841; A61B 6/485; A61B 6/505; A61B 6/5217; A61B 6/5229; A61B 6/5294; A61B 34/20
See application file for complete search history.

(56) **References Cited**

U.S. PATENT DOCUMENTS

472,004 A * 3/1892 Sweet et al. A61C 1/084 433/75
3,765,097 A * 10/1973 Woelich G01B 3/34 33/514.1
D463,560 S * 9/2002 Michelson D24/155
D466,609 S * 12/2002 Glossop D24/140

D573,711 S * 7/2008 Johnson D24/133
D664,661 S 7/2012 Kubiak
8,611,504 B2 12/2013 Kubiak
D699,845 S * 2/2014 Leroy D24/138

(Continued)

OTHER PUBLICATIONS

Launch of HipGrid Drone, announced Oct. 28, 2015 [online], [site visited Dec. 21, 2016]. Available from internet, URL: <<http://orthogrid.com/announcements/in-the-news/orthogrid-systems-inc-announces-the-launch-of-hipgrid-drone/>>.*

(Continued)

Primary Examiner — Keli L Hill

Assistant Examiner — Karra S Johnson

(74) *Attorney, Agent, or Firm* — Veritay Group, IP; Susan B. Fentress

(57) **CLAIM**

The ornamental design for a grid positioning device, as shown and described.

DESCRIPTION

FIG. 1 is an isometric view of an embodiment showing our new design.

FIG. 2 is a front view of an embodiment showing our new design.

FIG. 3 is a right side view of an embodiment showing our new design.

FIG. 4 is a rear view of an embodiment showing our new design.

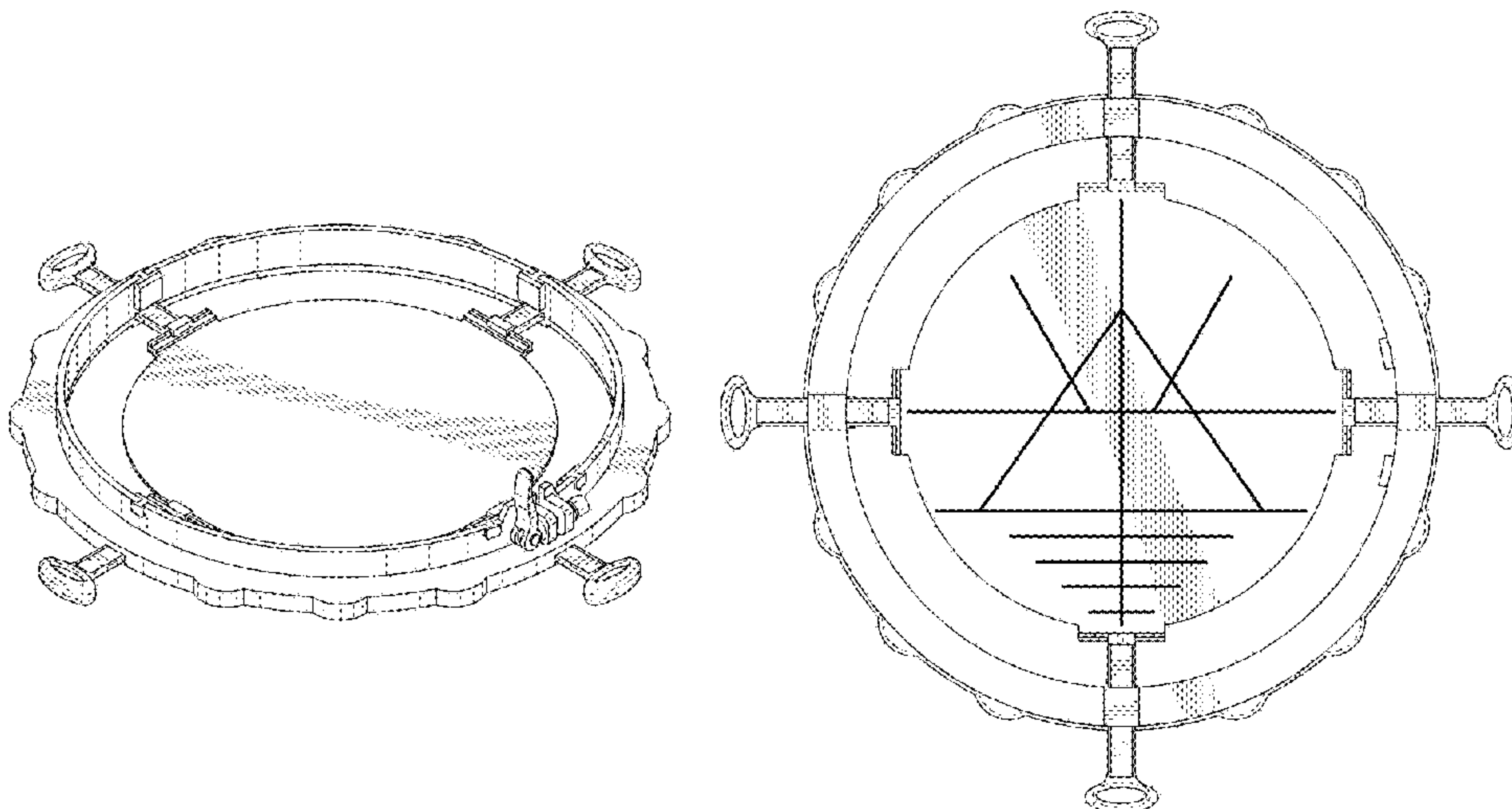
FIG. 5 is a left side view of an embodiment showing our new design.

FIG. 6 is a bottom view of an embodiment showing our new design; and,

FIG. 7 is a top view of an embodiment showing our new design.

Any broken lines shown in the drawings are for illustrative purposes only and form no part of the claimed design.

1 Claim, 4 Drawing Sheets



(56)

References Cited

U.S. PATENT DOCUMENTS

8,641,608 B2 * 2/2014 Voegelé A61B 17/3423
600/201
D743,551 S * 11/2015 Gronberg D24/127
D743,552 S * 11/2015 Bronnimann D24/155
9,237,841 B2 * 1/2016 Cushner A61B 1/32
D749,734 S * 2/2016 Gronberg D24/127
D750,776 S 3/2016 Lytle
2005/0215866 A1 * 9/2005 Kim A61B 17/0293
600/233
2007/0038033 A1 * 2/2007 Jones A61B 17/0293
600/219
2009/0082631 A1 * 3/2009 Cronin A61B 17/3423
600/201
2010/0057008 A1 * 3/2010 Solar A61B 90/11
604/164.01
2014/0360279 A1 * 12/2014 Jenkins G01L 1/22
73/756
2015/0018625 A1 * 1/2015 Miraki A61B 17/0206
600/208
2015/0257846 A1 * 9/2015 Kubiak A61B 6/487
600/407

OTHER PUBLICATIONS

OrthoGrid—Hip Grid, announced Feb. 19, 2016 [online], [site visited Dec. 21, 2016]. Available from internet, URL: <<http://orthogrid.com/grids/hip-grid/>>.*
HipGrid Drone by OrthoGrid Systems, Inc., announced Feb. 19, 2016 [online], [site visited Dec. 21, 2016]. Available from internet, URL: <<https://www.youtube.com/watch?v=918bFYTpFP0>>.*
OrthoGrid launches new HipGrid, announced Feb. 24, 2016 [online], [site visited Dec. 21, 2016]. Available from internet, URL: <<http://orthopedicdevices.medicaldevices-business-review.com/news/orthogrid-launches-new-hipgrid-drone-delivery-system-for-tha-patients-240216-4819930>>.*

* cited by examiner

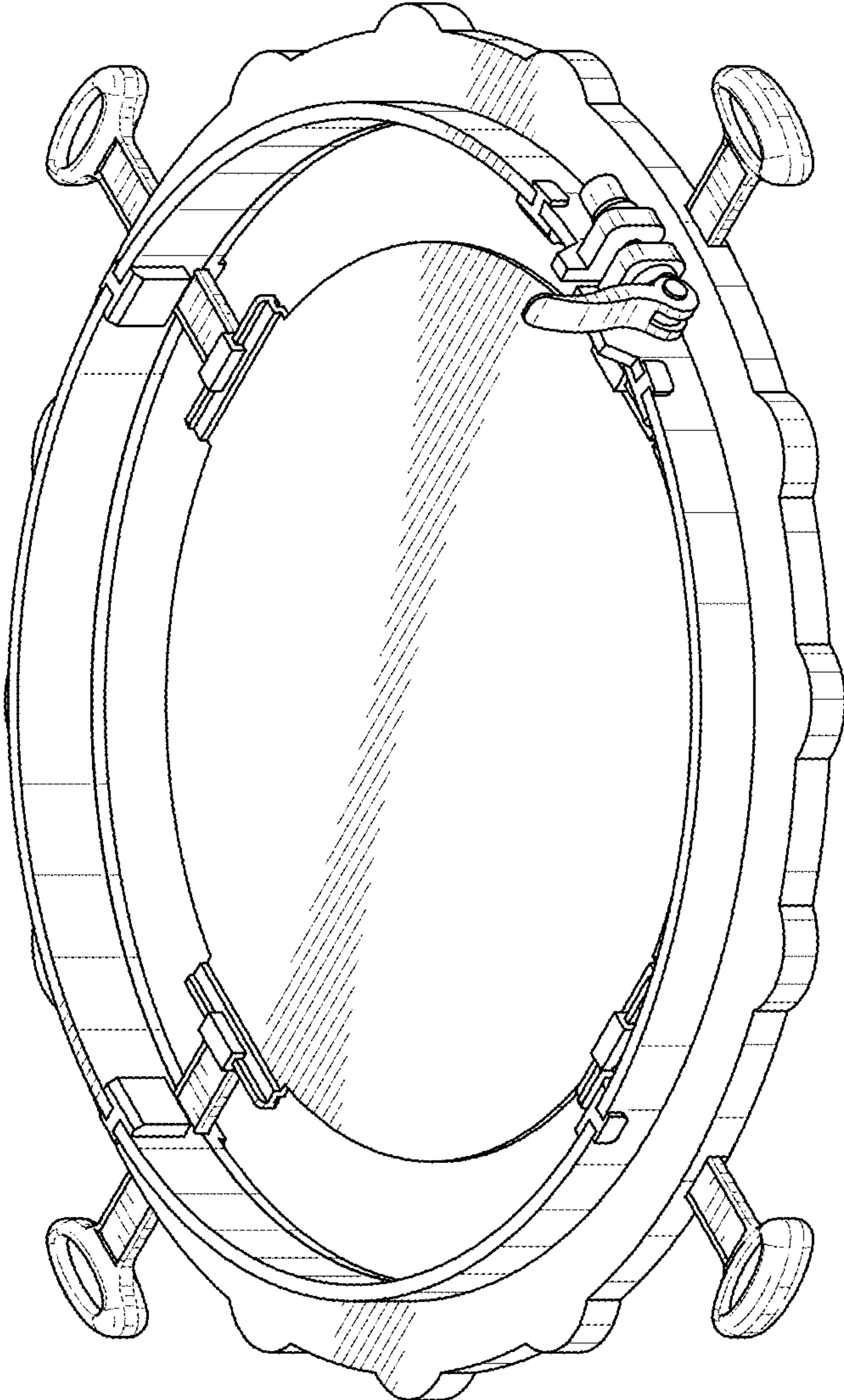


FIG. 1

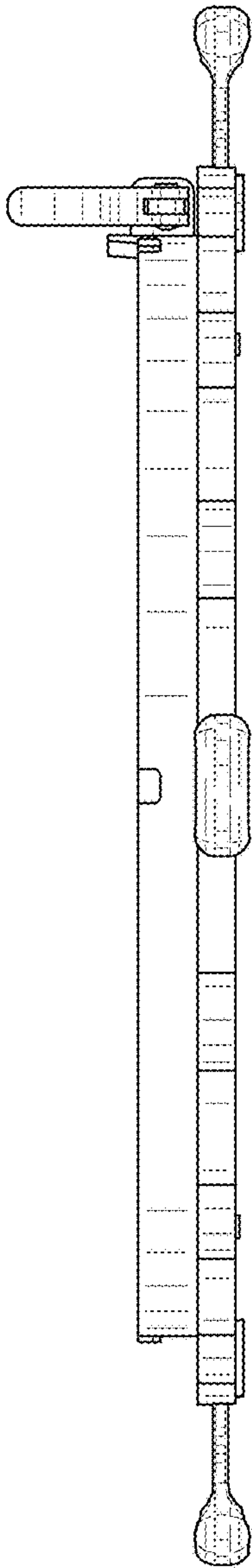


FIG. 2

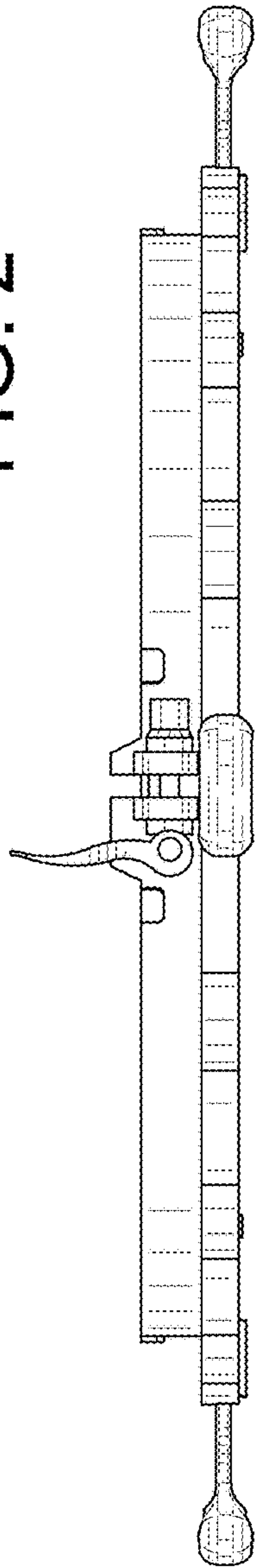


FIG. 3

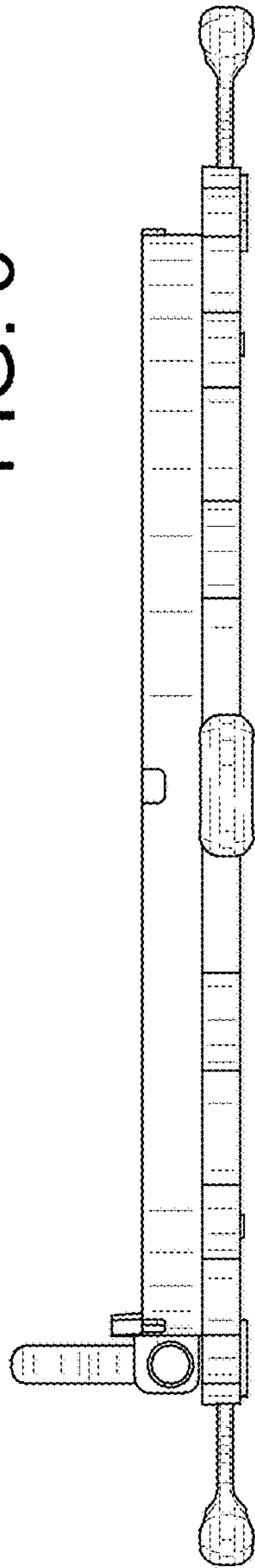


FIG. 4

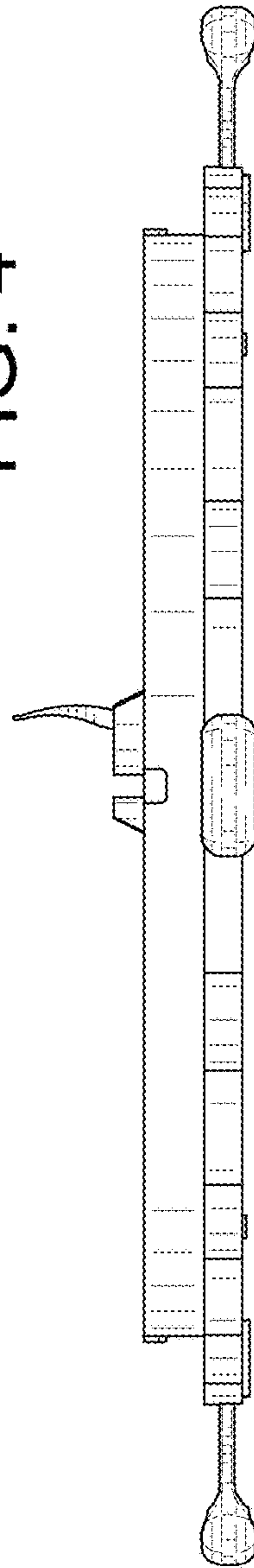


FIG. 5

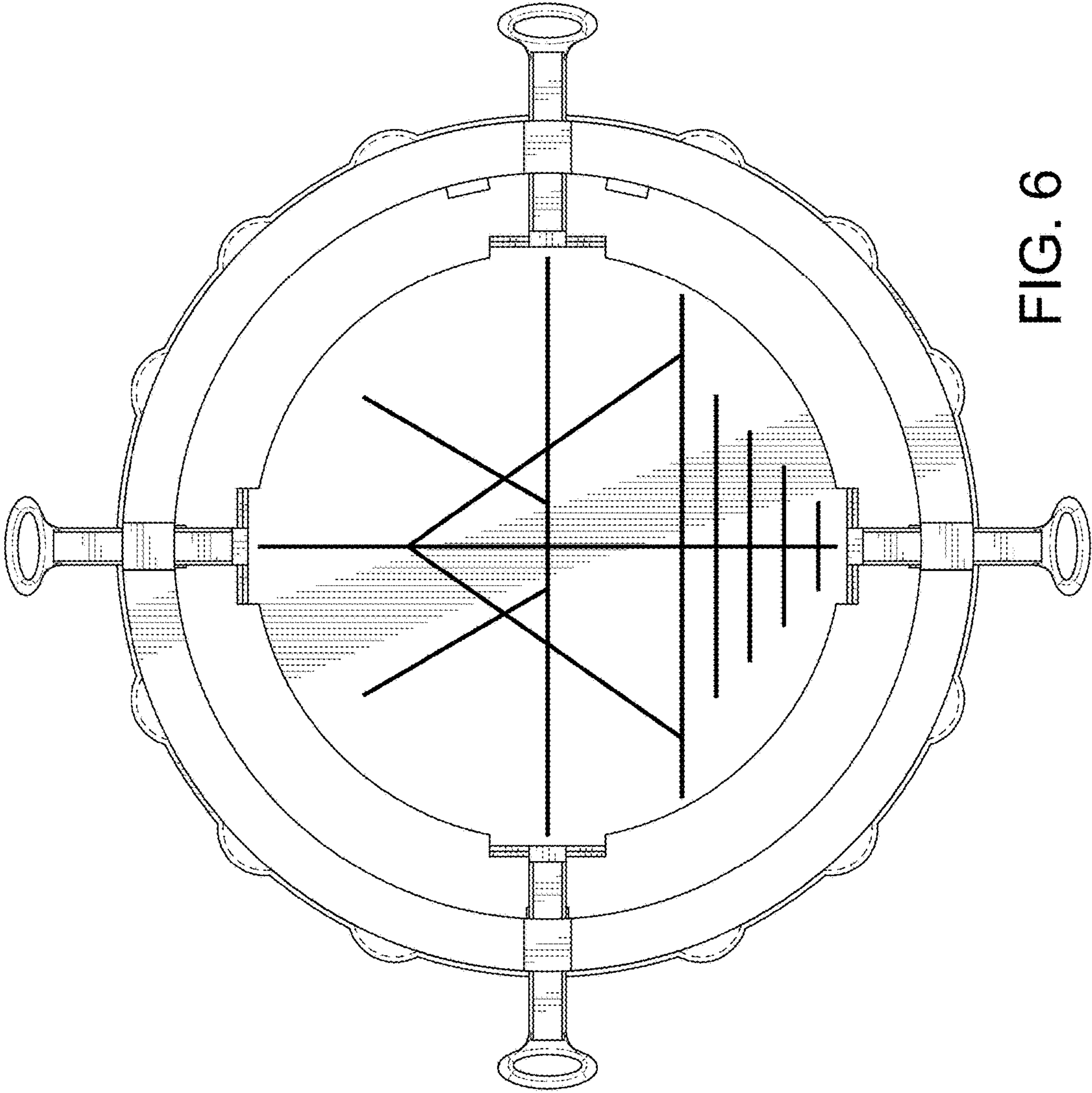


FIG. 6

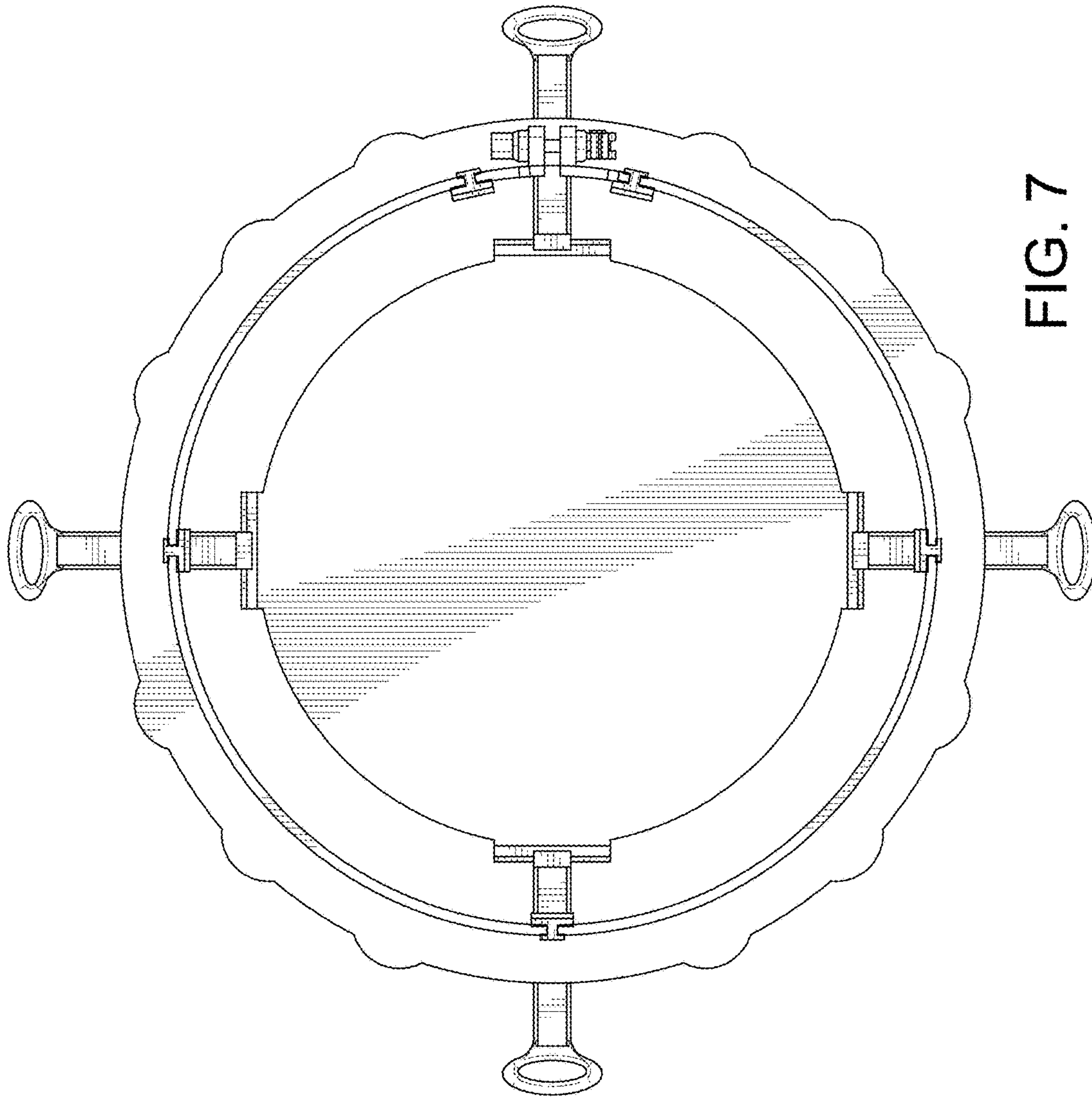


FIG. 7