



US00D788294S

(12) **United States Design Patent** (10) **Patent No.:** **US D788,294 S**  
**Cardenas et al.** (45) **Date of Patent:** **\*\* May 30, 2017**

- (54) **MALE INCONTINENCE DIAPER** 7,291,138 B2 \* 11/2007 Hoshino ..... A61F 13/49019  
604/358
- (71) Applicants: **Lazara Cardenas**, West Miami, FL D596,287 S \* 7/2009 Tan ..... D24/126  
(US); **Frank Cardenas**, West Miami, FL (US) D615,195 S \* 5/2010 Richmond ..... D24/126  
D621,501 S \* 8/2010 Coon ..... D24/126  
D625,001 S \* 10/2010 Richmond ..... D24/126  
D762,849 S \* 8/2016 Davenport ..... D24/126
- (72) Inventors: **Lazara Cardenas**, West Miami, FL 2009/0264849 A1 \* 10/2009 La Croix ..... A61F 13/8405  
(US); **Frank Cardenas**, West Miami, FL (US) 2011/0082435 A1 \* 4/2011 Davis ..... A61F 13/55105  
604/385.06  
604/385.06

(\*\*) Term: **15 Years**

\* cited by examiner

(21) Appl. No.: **29/552,797**

*Primary Examiner* — Garth Rademaker

(22) Filed: **Jan. 26, 2016**

*Assistant Examiner* — Samantha Q Lawrence

(51) **LOC (10) Cl.** ..... **24-04**

(74) *Attorney, Agent, or Firm* — Stevenson IP, LLC

(52) **U.S. Cl.**  
USPC ..... **D24/126**

(57) **CLAIM**

(58) **Field of Classification Search**  
USPC ..... D2/700, 701; D24/124–126; 604/347,  
604/348, 354, 358–361, 378, 385.01,  
604/385.201, 385.22, 385.24, 385.25;  
D5/21, 25, 29, 35, 37, 39, 53, 59, 60, 61  
See application file for complete search history.

The ornamental design for a male incontinence diaper, as shown and described.

**DESCRIPTION**

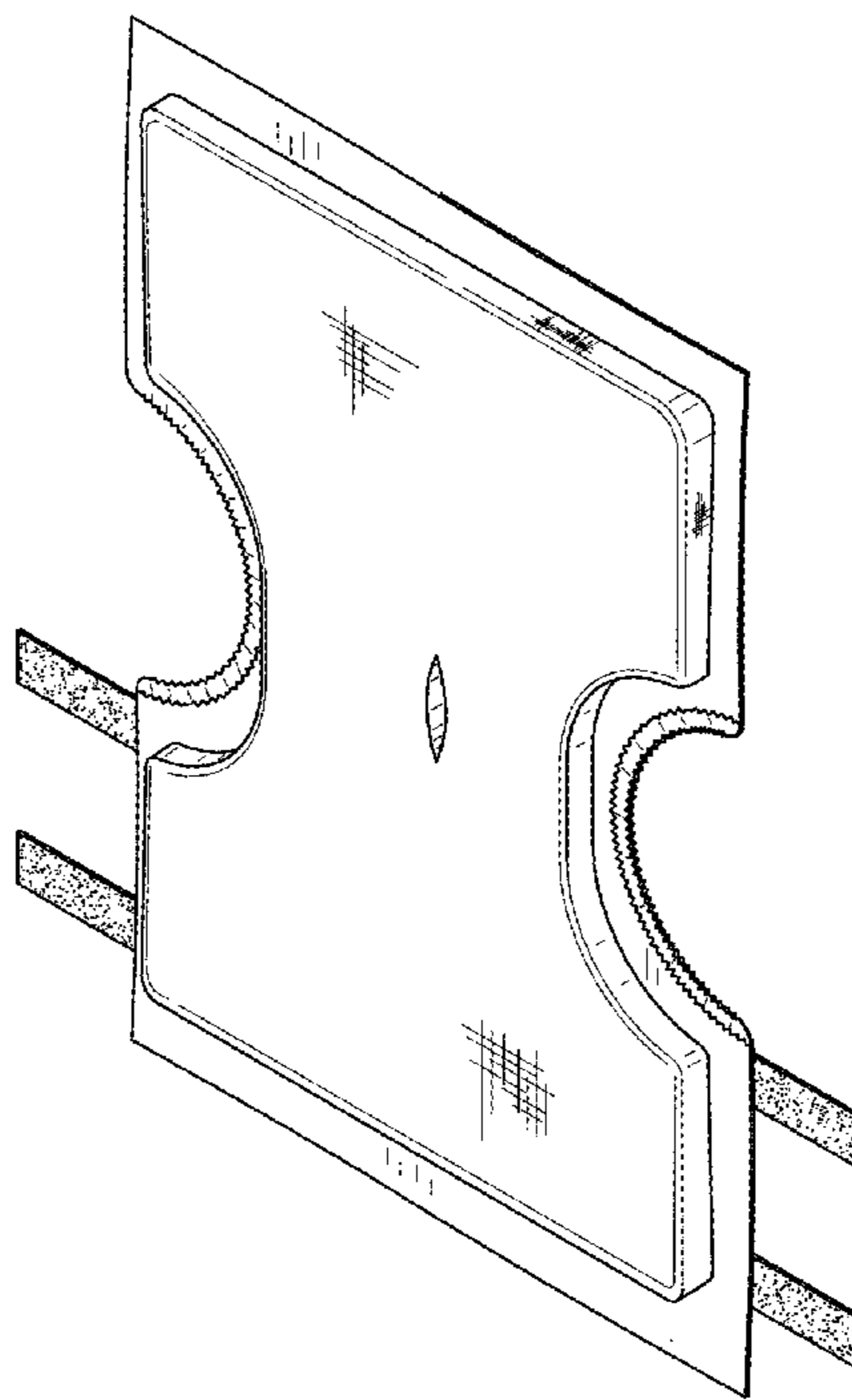
(56) **References Cited**

U.S. PATENT DOCUMENTS

- D329,697 S \* 9/1992 Fahrenkrug ..... D24/124
- D354,809 S \* 1/1995 Eskey ..... D24/126
- 5,429,622 A 7/1995 Chung
- 5,554,149 A 9/1996 O'Donnell
- 5,843,065 A 12/1998 Wyant
- D423,098 S \* 4/2000 Stancyk, Jr. .... D24/124
- 7,264,615 B2 \* 9/2007 Sherrod ..... A61F 13/505  
604/364

FIG. 1 is a top plan view of a male incontinence diaper showing my new design;  
FIG. 2 is a bottom plan view thereof;  
FIG. 3 is a right side elevation view thereof, the opposite side being a mirror image of the shown;  
FIG. 4 is a front elevation view thereof, the opposite side being a mirror image of the shown;  
FIG. 5 is an isometric view thereof shown in a closed condition; and,  
FIG. 6 is an isometric view thereof shown in an open condition.

**1 Claim, 5 Drawing Sheets**



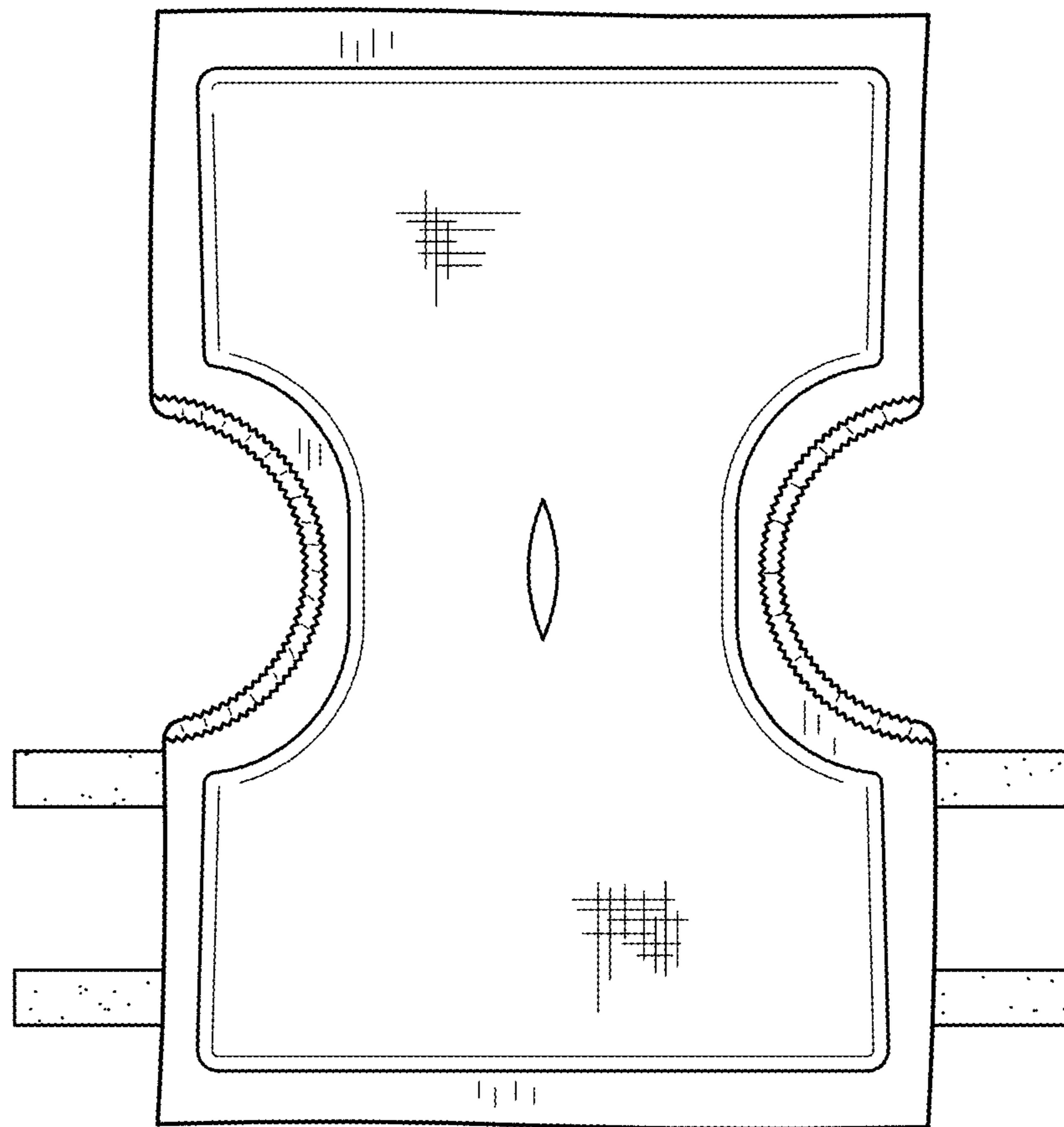


FIG. 1

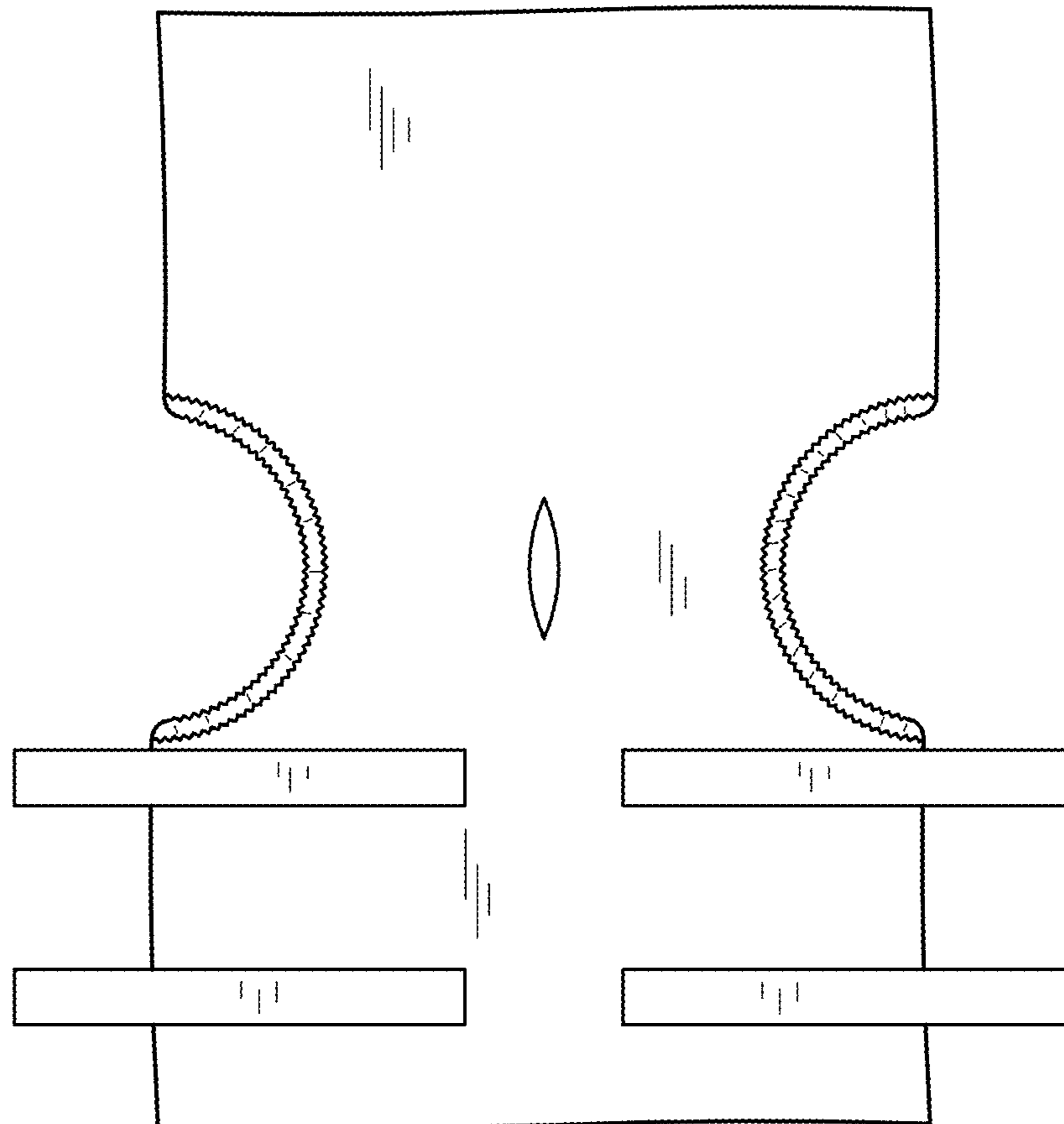


FIG. 2

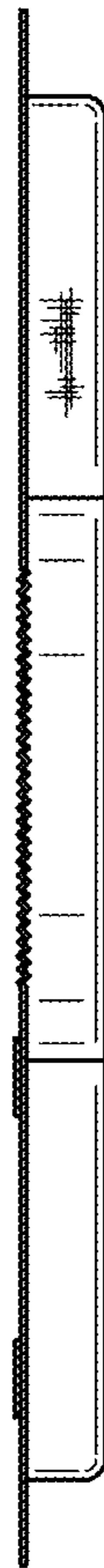


FIG. 3

FIG. 4

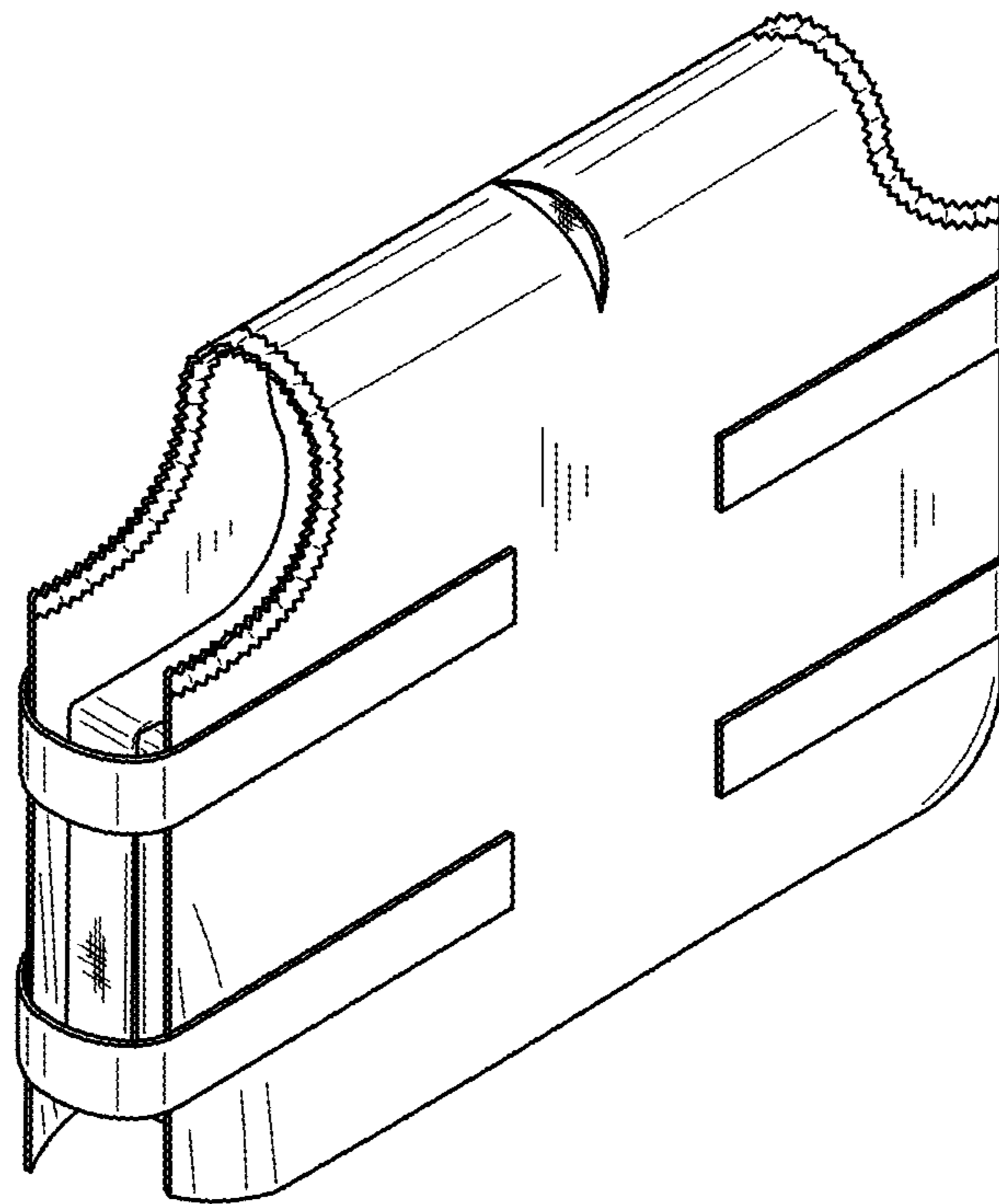


FIG. 5

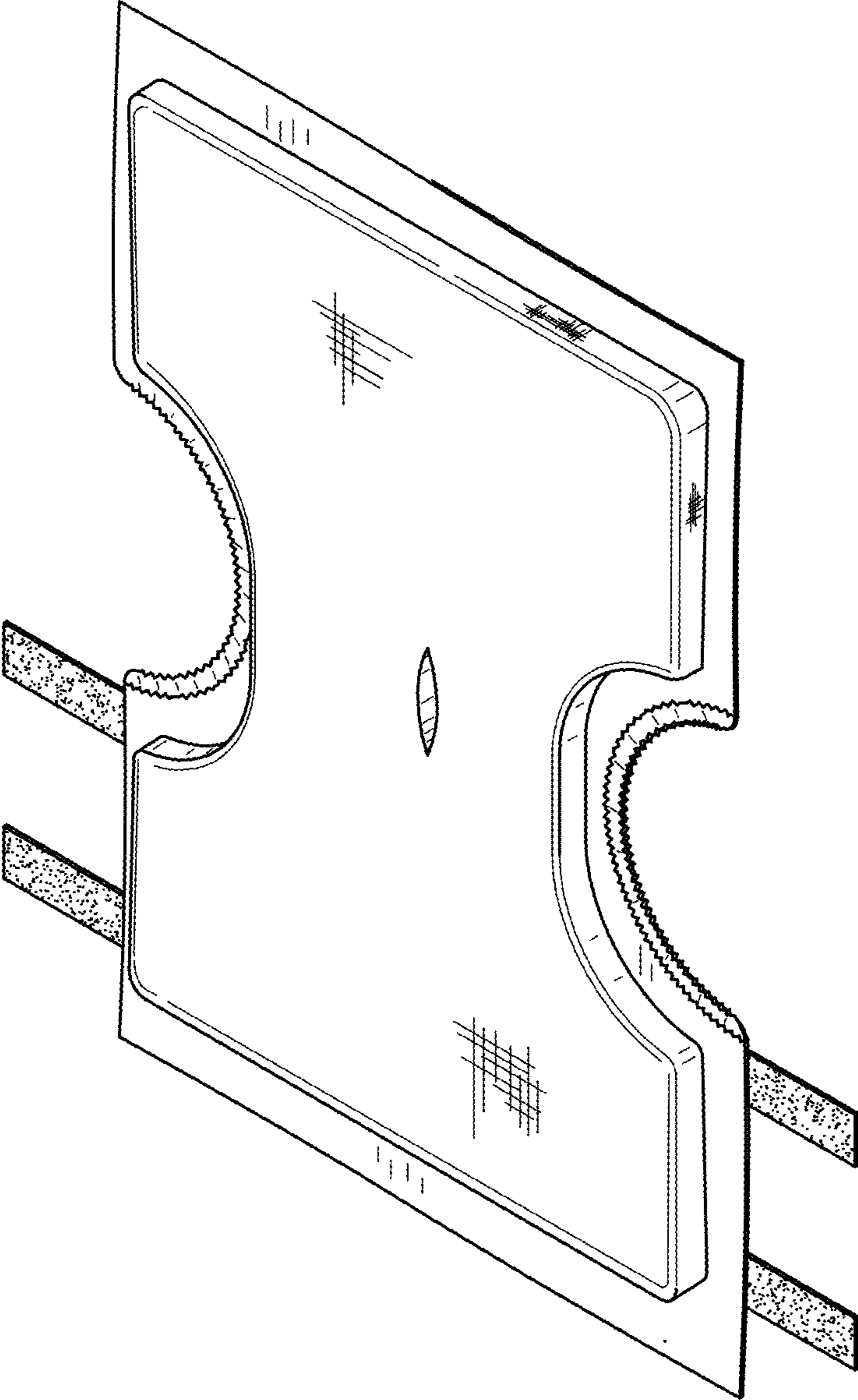


FIG. 6