



US00D788293S

(12) **United States Design Patent**
Eckstein et al.

(10) **Patent No.:** **US D788,293 S**

(45) **Date of Patent:** **** May 30, 2017**

- (54) **VACUUM GENERATING DEVICE**
- (71) Applicant: **Paul Hartmann AG**, Heidenheim (DE)
- (72) Inventors: **Axel Eckstein**, Heidenheim (DE);
Juergen Hofstetter, Heidenheim (DE);
Mario Moeller, Freiburg (DE);
Andreas Heer,
Stuehlingen-Grimmelshofen (DE);
Simon Wegner, Mundelfingen (DE)
- (73) Assignee: **PAUL HARTMANN AG**, Heidenheim (DE)
- (**) Term: **14 Years**
- (21) Appl. No.: **29/492,004**
- (22) Filed: **May 28, 2014**

Related U.S. Application Data

- (63) Continuation of application No. 29/400,521, filed on Aug. 30, 2011, now abandoned.

(30) **Foreign Application Priority Data**

Mar. 3, 2011 (EP) 001830068

(51) **LOC (10) Cl.** **24-02**

(52) **U.S. Cl.**
USPC **D24/111**

(58) **Field of Classification Search**
USPC D24/107, 108, 111
CPC ... A61M 1/0023; A61M 1/0031; A61M 27/00
See application file for complete search history.

(56) **References Cited**

U.S. PATENT DOCUMENTS

5,741,269	A *	4/1998	McCredy	A61M 1/008 604/313
D602,582	S *	10/2009	Pidgeon	D24/108
D612,484	S *	3/2010	Yodfat	D24/111
D625,801	S *	10/2010	Pidgeon	D24/107
D630,313	S *	1/2011	Pidgeon	D24/108
8,048,046	B2 *	11/2011	Hudspeth	A61M 1/0088 604/119
2002/0198503	A1 *	12/2002	Risk, Jr.	A61M 1/0058 604/315
2003/0093041	A1 *	5/2003	Risk, Jr.	A61M 27/00 604/308
2011/0038741	A1 *	2/2011	Lissner	F04B 37/10 417/313

* cited by examiner

Primary Examiner — Richelle G Shelton

(74) *Attorney, Agent, or Firm* — Leydig, Voit & Mayer, Ltd.

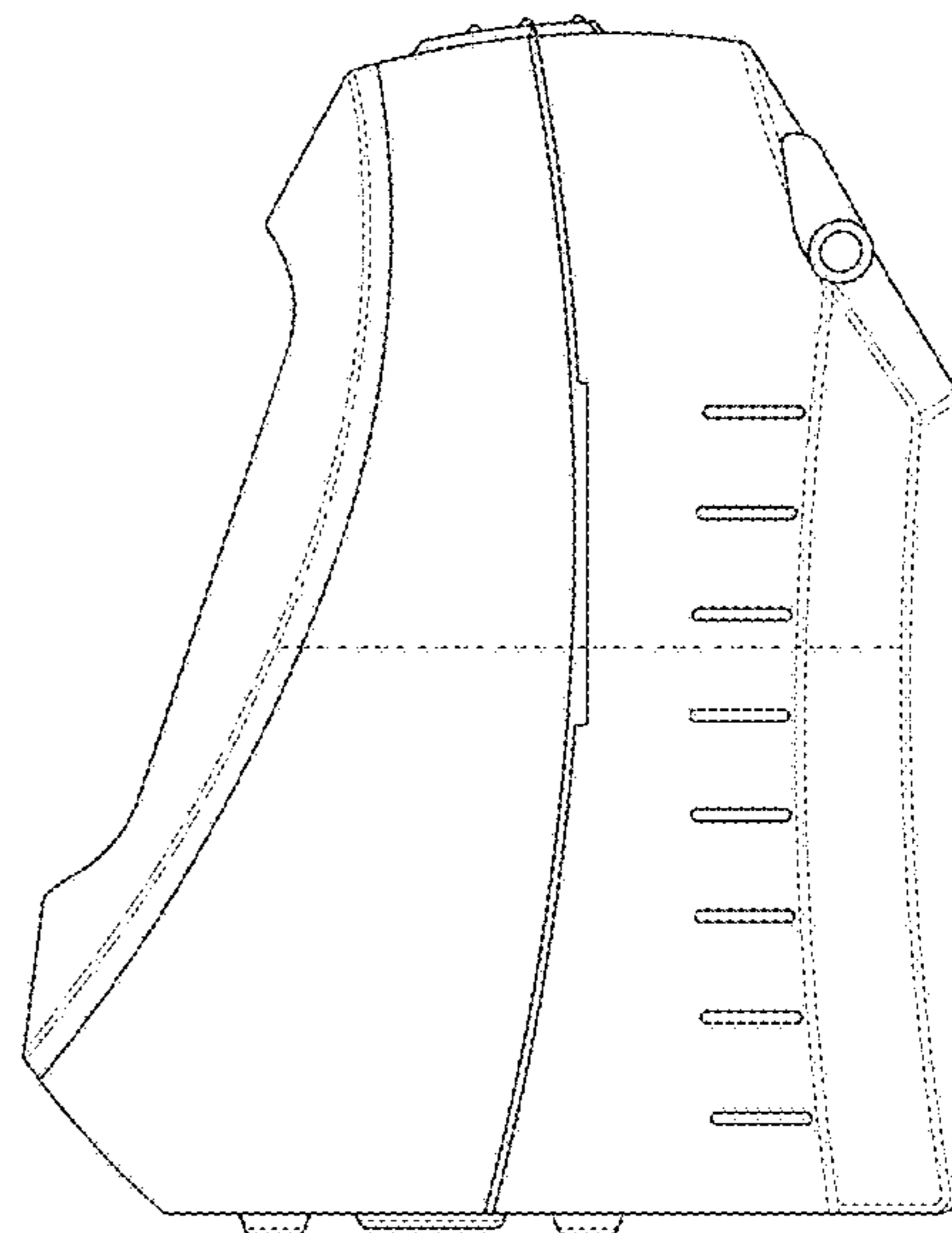
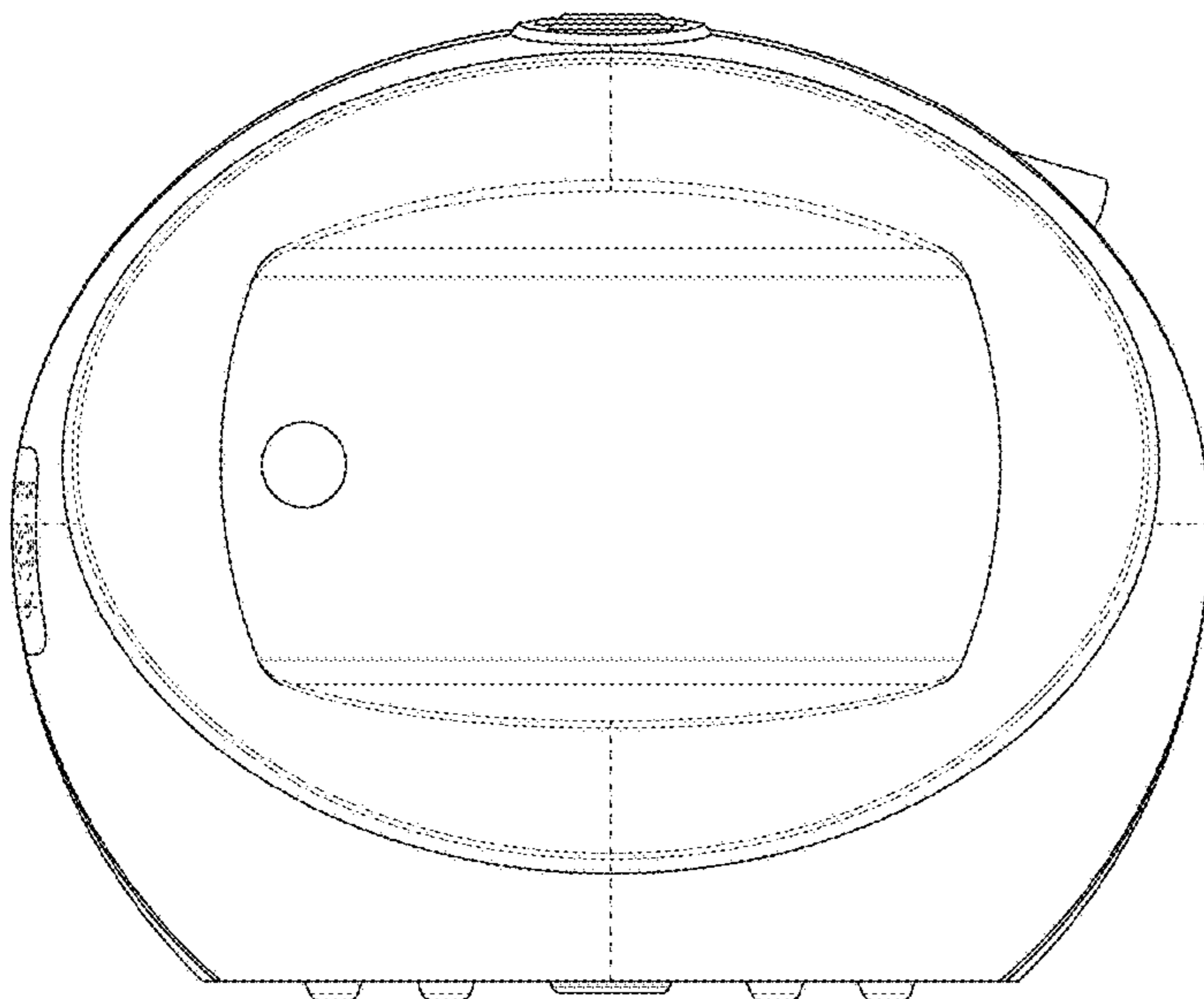
(57) **CLAIM**

An ornamental design for the vacuum generating device, as shown and described.

DESCRIPTION

FIG. 1 shows a left top front perspective view of the vacuum generating device in accordance with the invention; FIG. 2 shows a front elevational view thereof; FIG. 3 shows a right side elevational view thereof; FIG. 4 shows a rear elevational view thereof; FIG. 5 shows a left side elevational view thereof; FIG. 6 shows a top plan view thereof; and, FIG. 7 shows a bottom plan view thereof. Any broken lines in the drawings disclose elements which form no part of the claimed design.

1 Claim, 7 Drawing Sheets



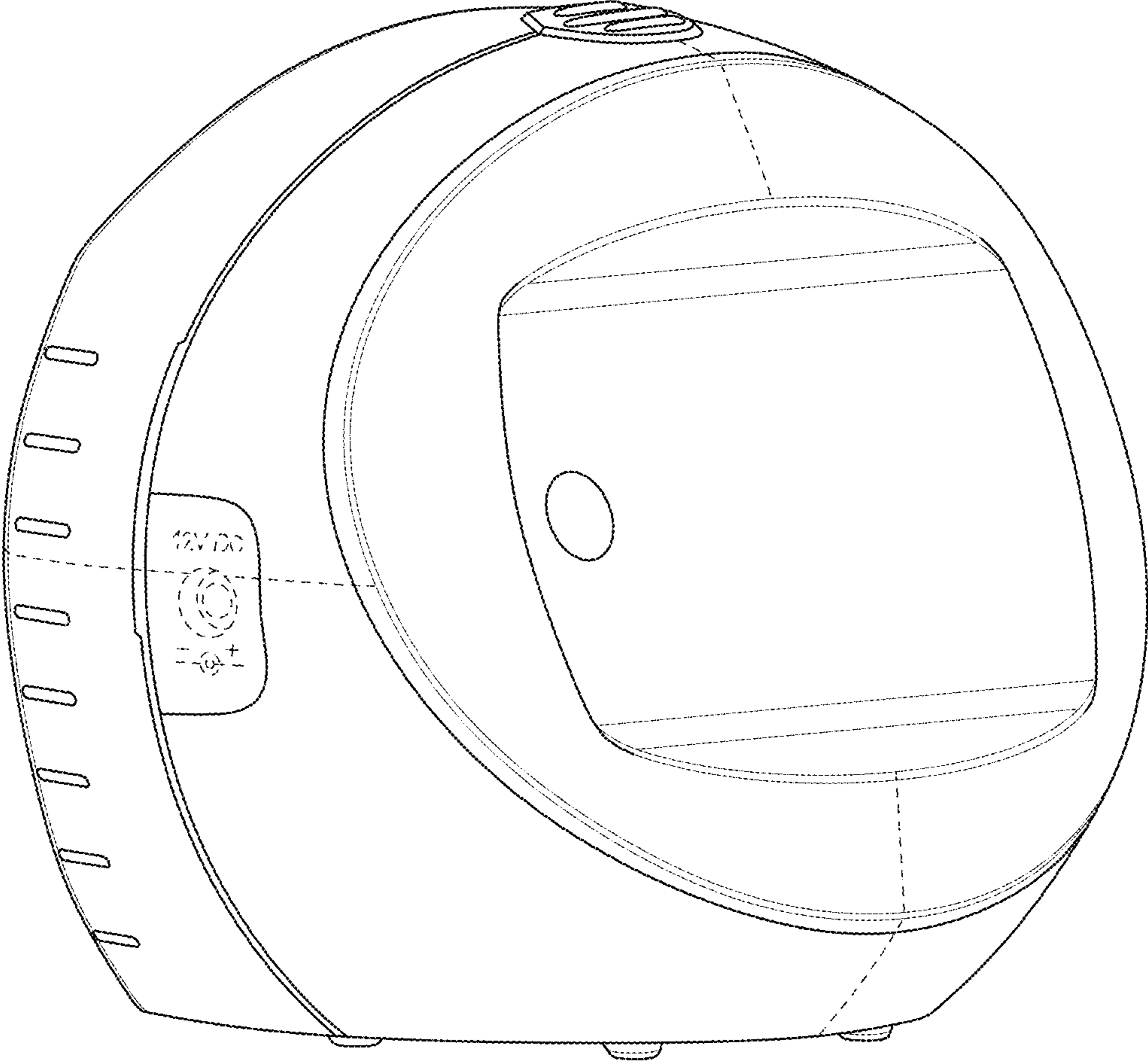


FIG. 1

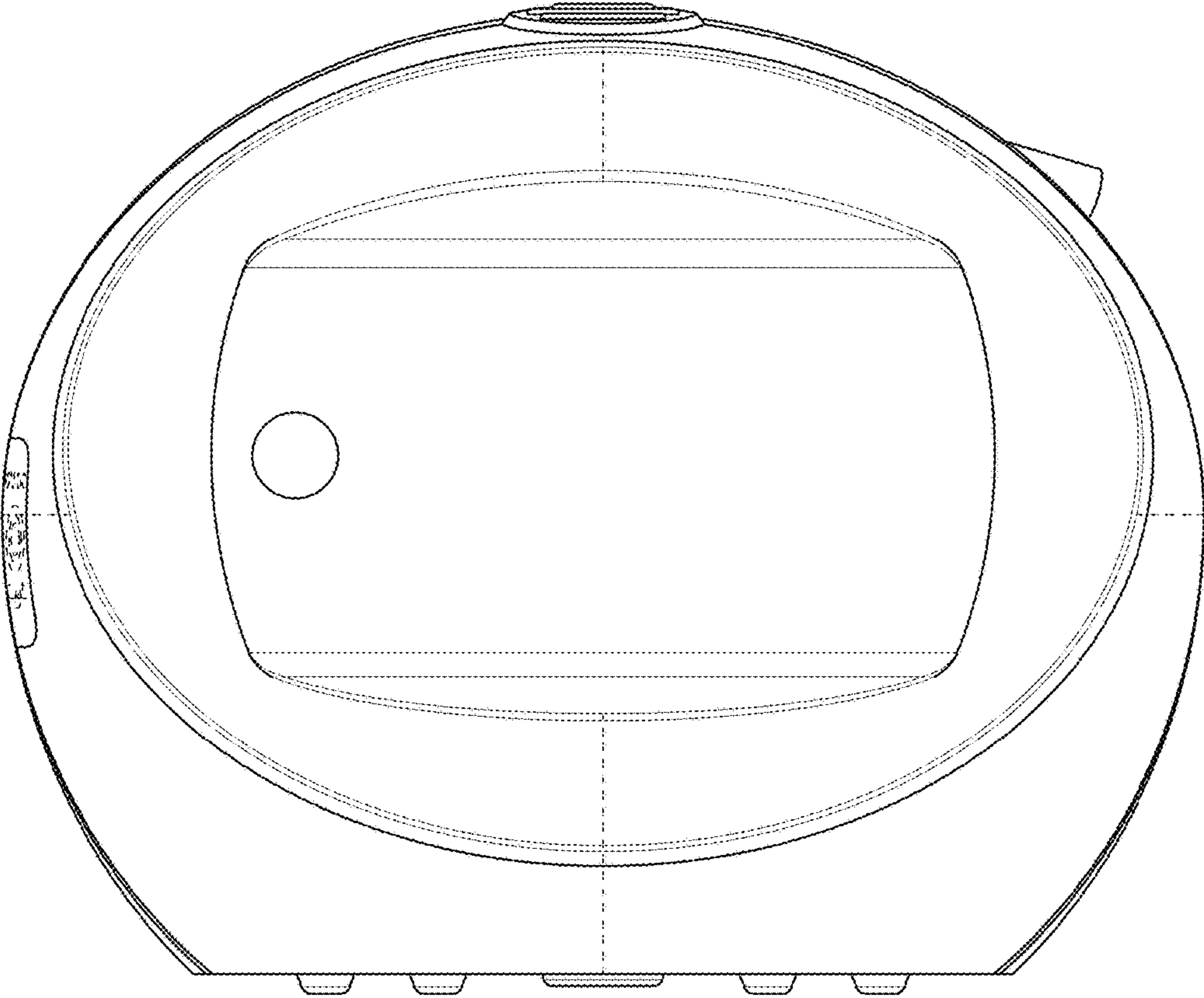


FIG. 2

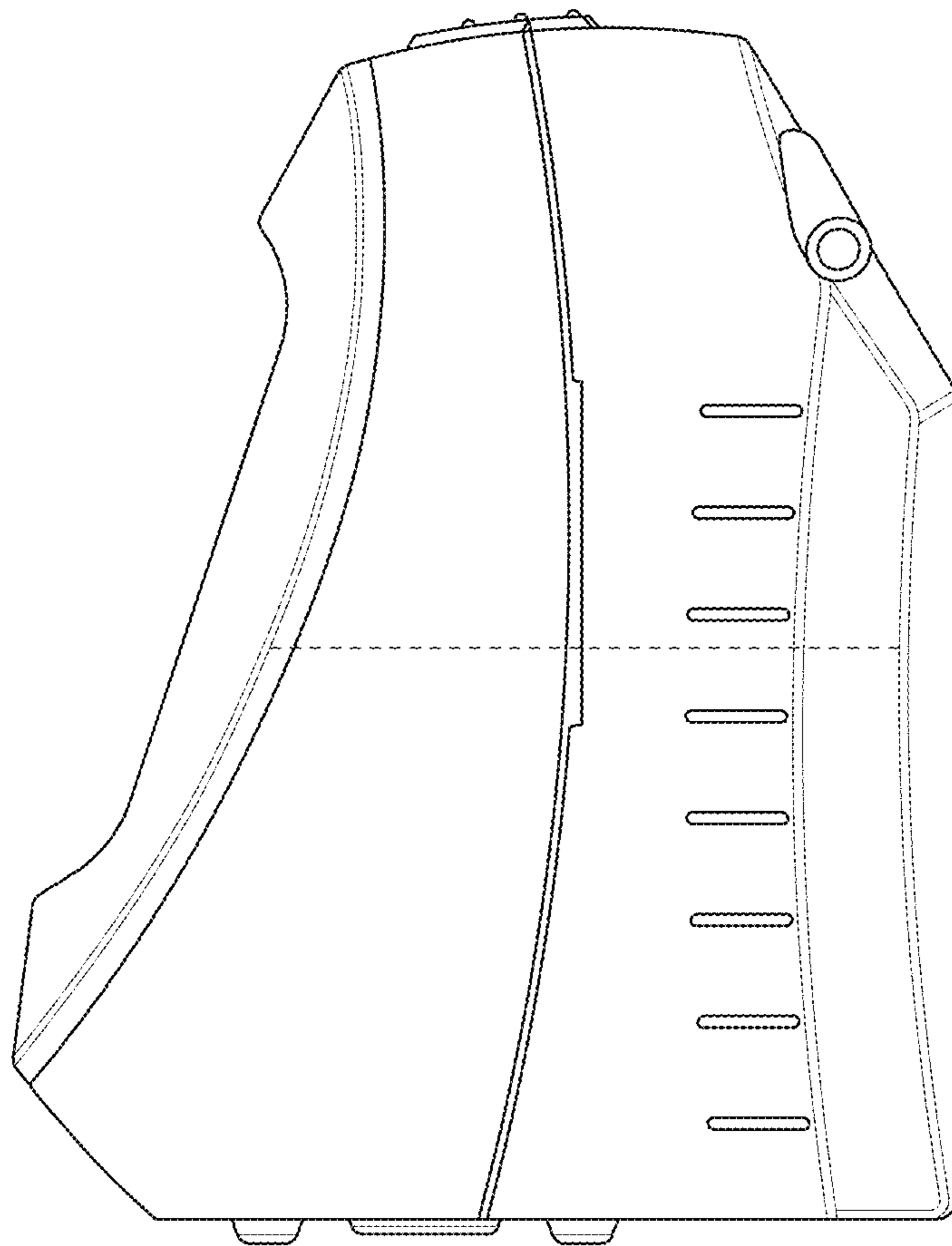


FIG. 3

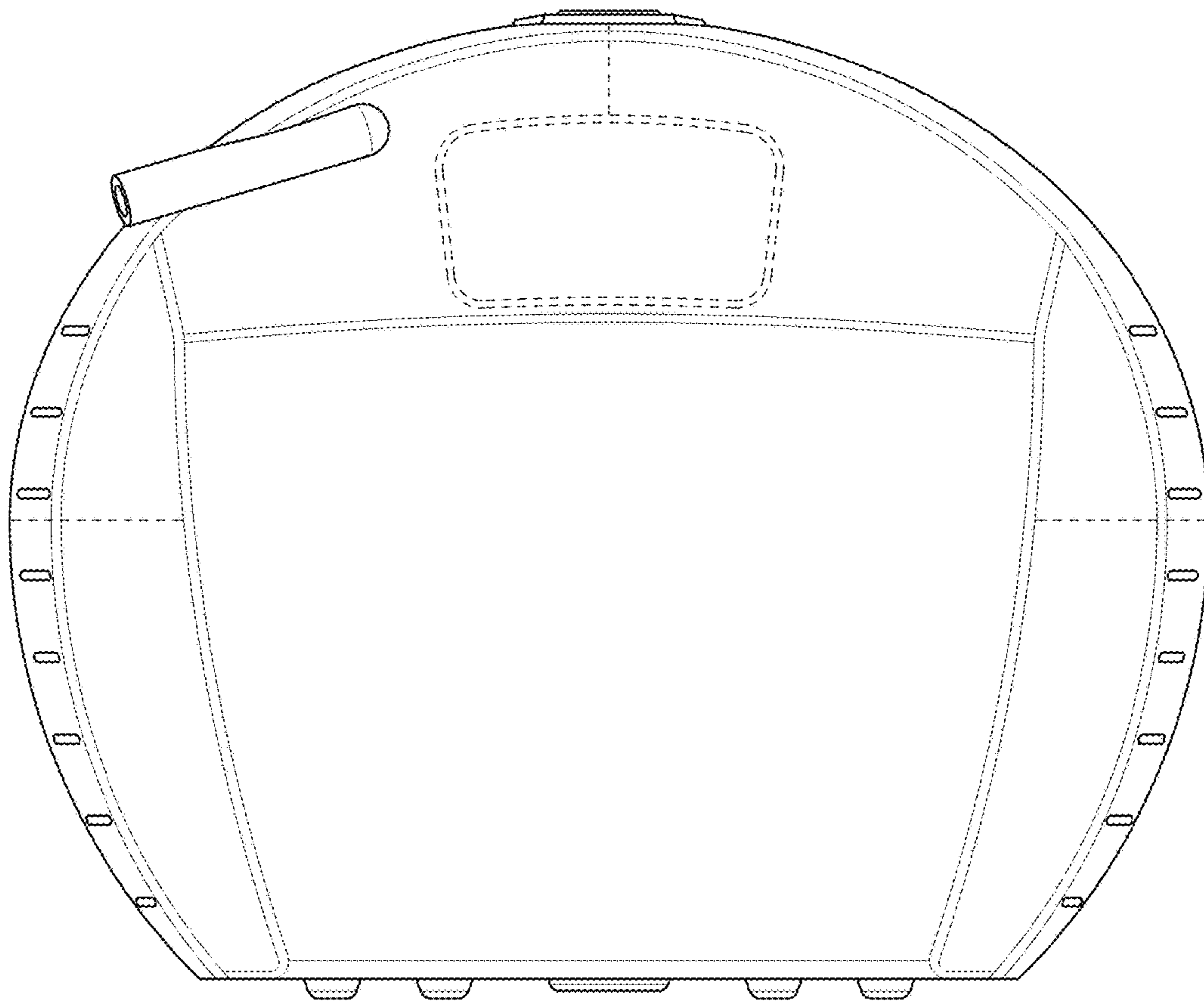


FIG. 4

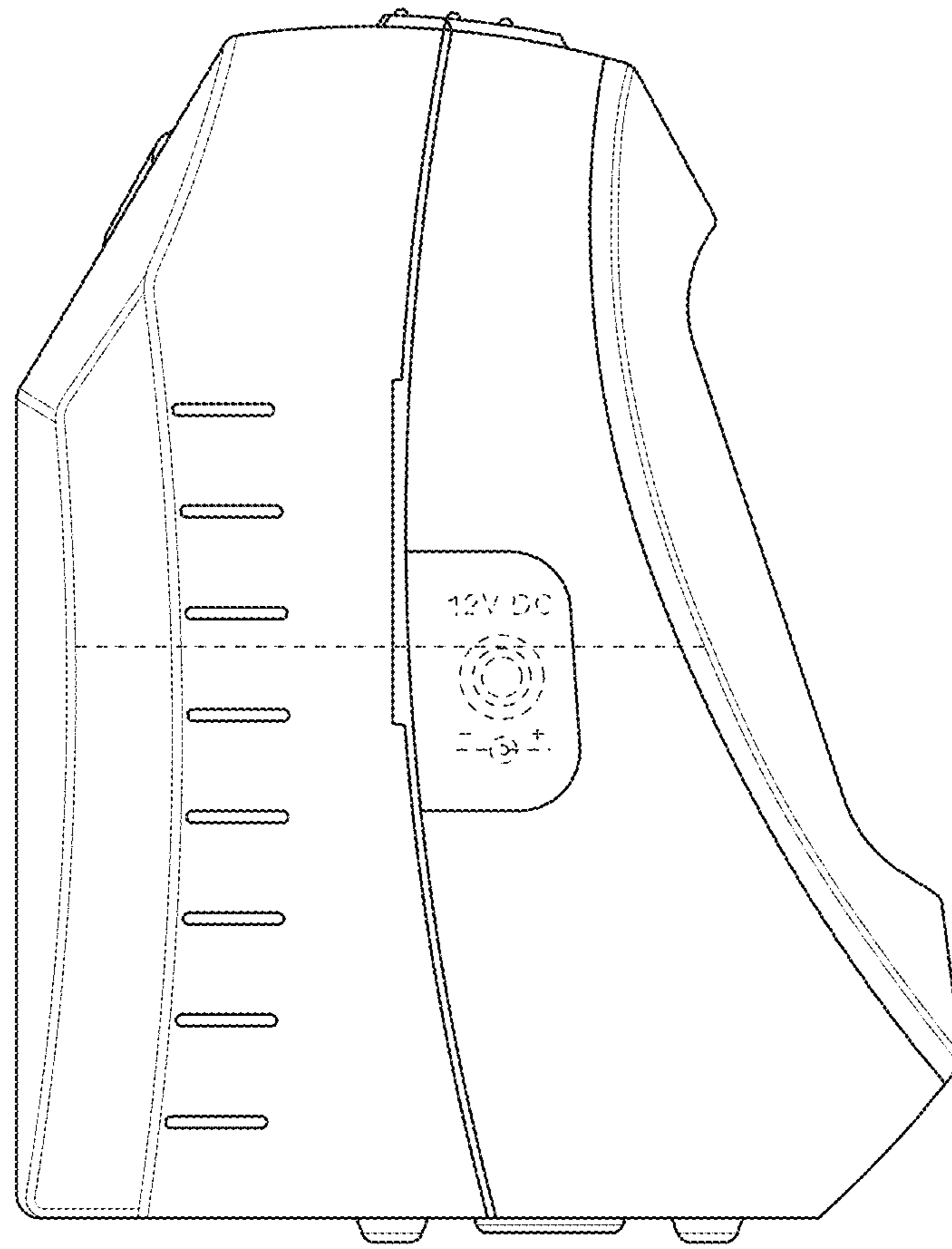


FIG. 5

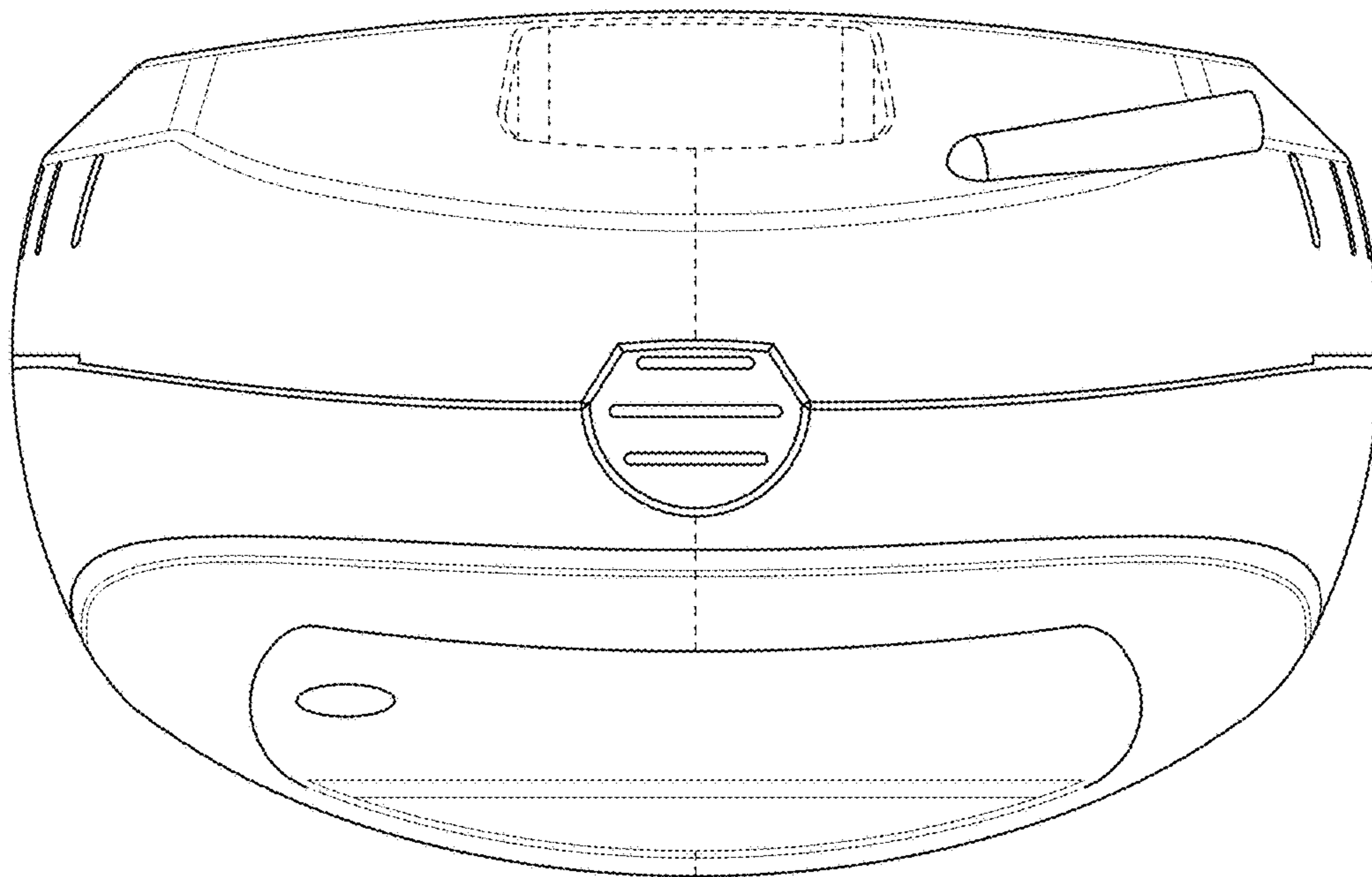


FIG. 6

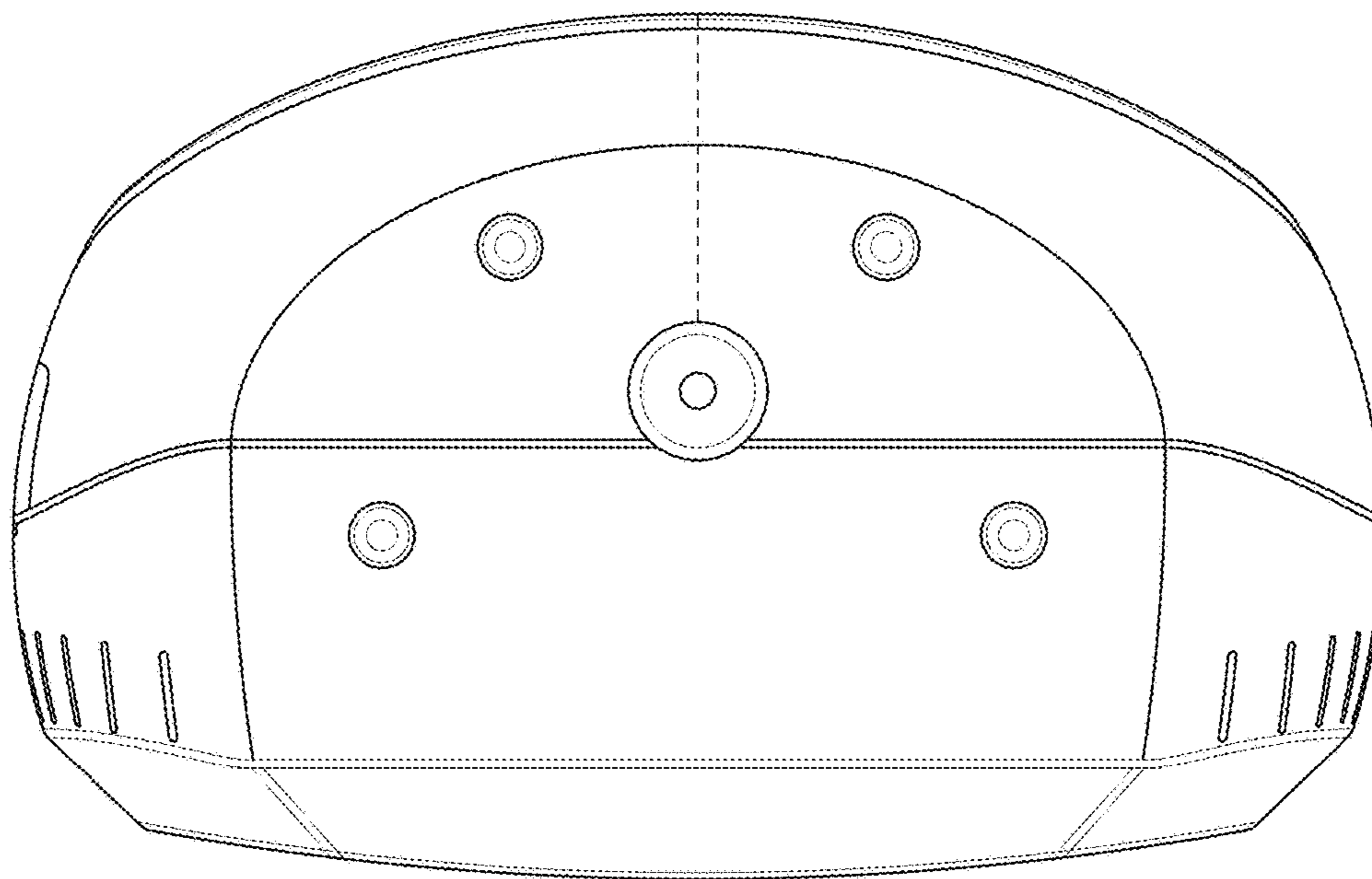


FIG. 7