



US00D788290S

(12) **United States Design Patent**
Qu et al.

(10) **Patent No.:** **US D788,290 S**
(45) **Date of Patent:** **** May 30, 2017**

(54) **PEANUT-SHAPED EARPLUG WITH PADDLE HANDLE**

(71) Applicant: **Honeywell International Inc.**,
Morristown, NJ (US)

(72) Inventors: **Rocky Qu**, Shanghai (CN); **Zhao Xia Jin**,
Shanghai (CN); **Jex Zhang**, Shanghai (CN); **Charlotte Loomis**,
La Jolla, CA (US); **Dave Mulvey**, San Diego, CA (US)

(73) Assignee: **Honeywell International Inc.**, Morris
Plains, NJ (US)

(**) Term: **14 Years**

(21) Appl. No.: **29/519,523**

(22) Filed: **Mar. 5, 2015**

(51) **LOC (10) Cl.** **24-04**

(52) **U.S. Cl.**
USPC **D24/106**

(58) **Field of Classification Search**
USPC D24/106, 141, 173, 174, 211; D1/102,
D1/105; D14/205, 206, 223; D21/406,
D21/408; D29/112
CPC A61F 11/08; A61F 2011/085; A61F 11/10;
A61F 11/12; A61F 13/2005; A61F
13/2011; A61F 13/2017
See application file for complete search history.

(56) **References Cited**

U.S. PATENT DOCUMENTS

- 3,736,929 A * 6/1973 Mills A61F 11/08
128/864
- 4,053,051 A 10/1977 Brinkhoff
(Continued)

Primary Examiner — Richelle G Shelton

(74) *Attorney, Agent, or Firm* — Conley Rose, P.C.;
Kristin Jordan Harkins

(57) **CLAIM**

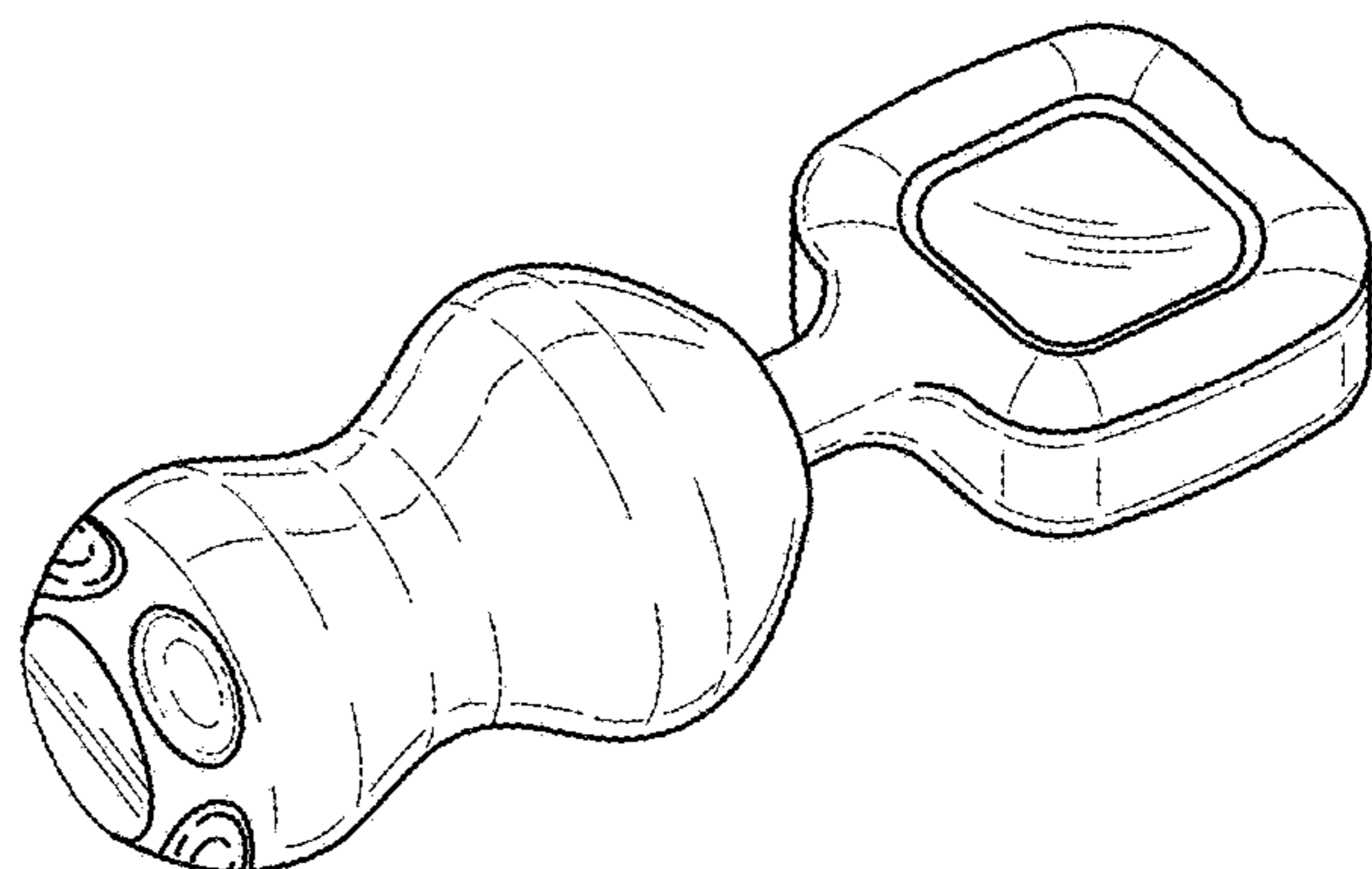
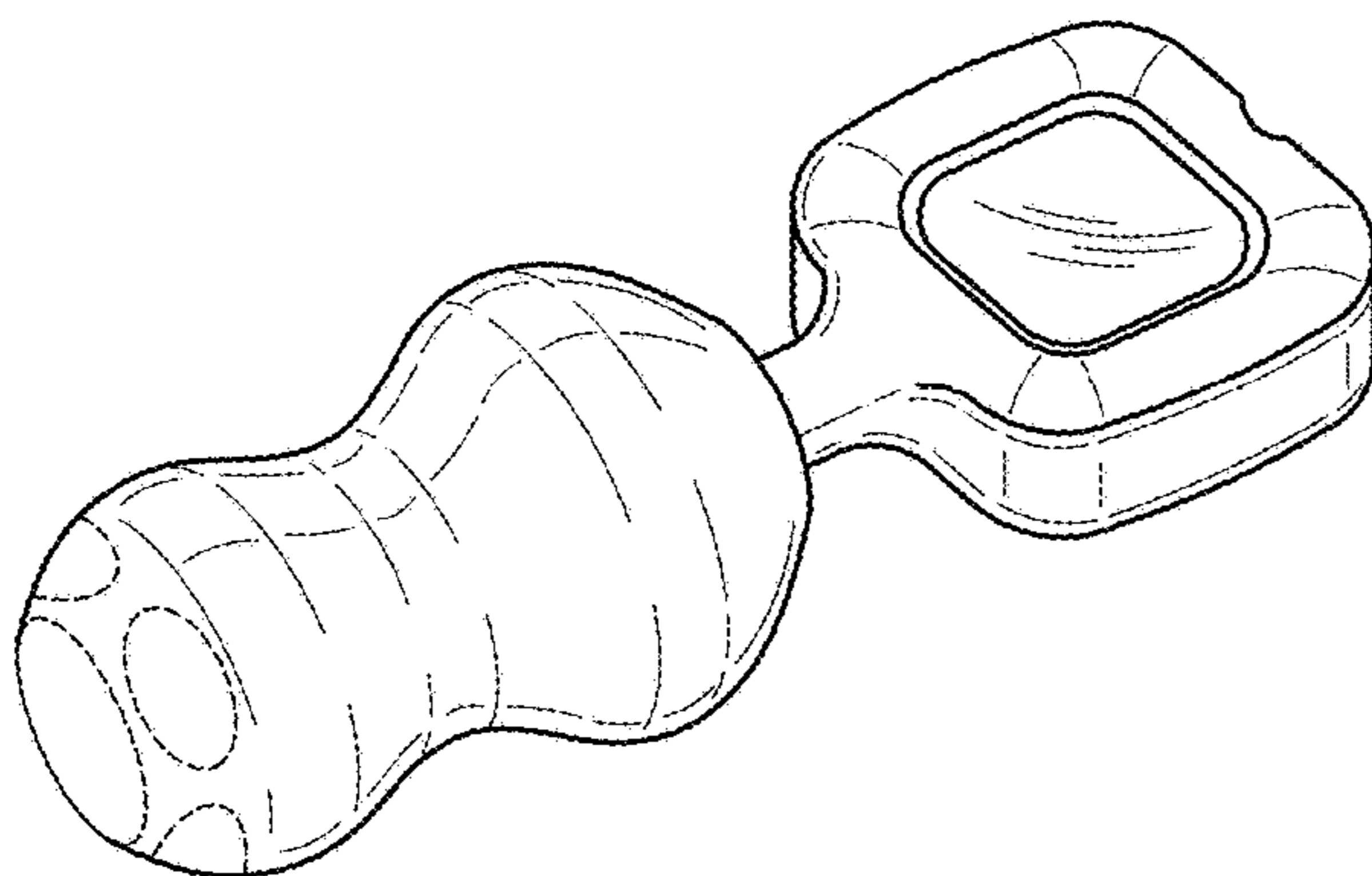
The ornamental design for a peanut-shaped earplug with
paddle handle, as shown and described.

DESCRIPTION

FIG. 1 is a front perspective view of a peanut-shaped earplug with paddle handle in accordance with the new design;
FIG. 2 is a rear perspective view thereof;
FIG. 3 is a side elevation view thereof;
FIG. 4 is a side elevation view thereof, for the side opposite that of FIG. 3;
FIG. 5 is a side elevation view thereof, for the side 90 degrees from that of FIG. 4;
FIG. 6 is a side elevation view thereof, for the side opposite that of FIG. 5;
FIG. 7 is a front elevation view thereof;
FIG. 8 is a rear elevation view thereof;
FIG. 9 is a side elevation view of a second embodiment of the peanut-shaped earplug with paddle handle showing a user inserting the earplug into an ear;
FIG. 10 is a front perspective view of the peanut-shaped earplug with paddle handle in FIG. 9;
FIG. 11 is a rear perspective view thereof;
FIG. 12 is a side elevation view thereof;
FIG. 13 is a side elevation view thereof, for the side opposite that of FIG. 12;
FIG. 14 is a side elevation view thereof, for the side 90 degrees from that of FIG. 13;
FIG. 15 is a side elevation view thereof, for the side opposite that of FIG. 14;
FIG. 16 is a front elevation view thereof; and,
FIG. 17 is a rear elevation view thereof.

The broken lines shown in FIG. 9 are provided to illustrate environment and form no part of the claimed design. The remaining broken lines shown in the drawings represent internal boundaries with the line itself and the area within forming no part of the claimed design.

1 Claim, 9 Drawing Sheets



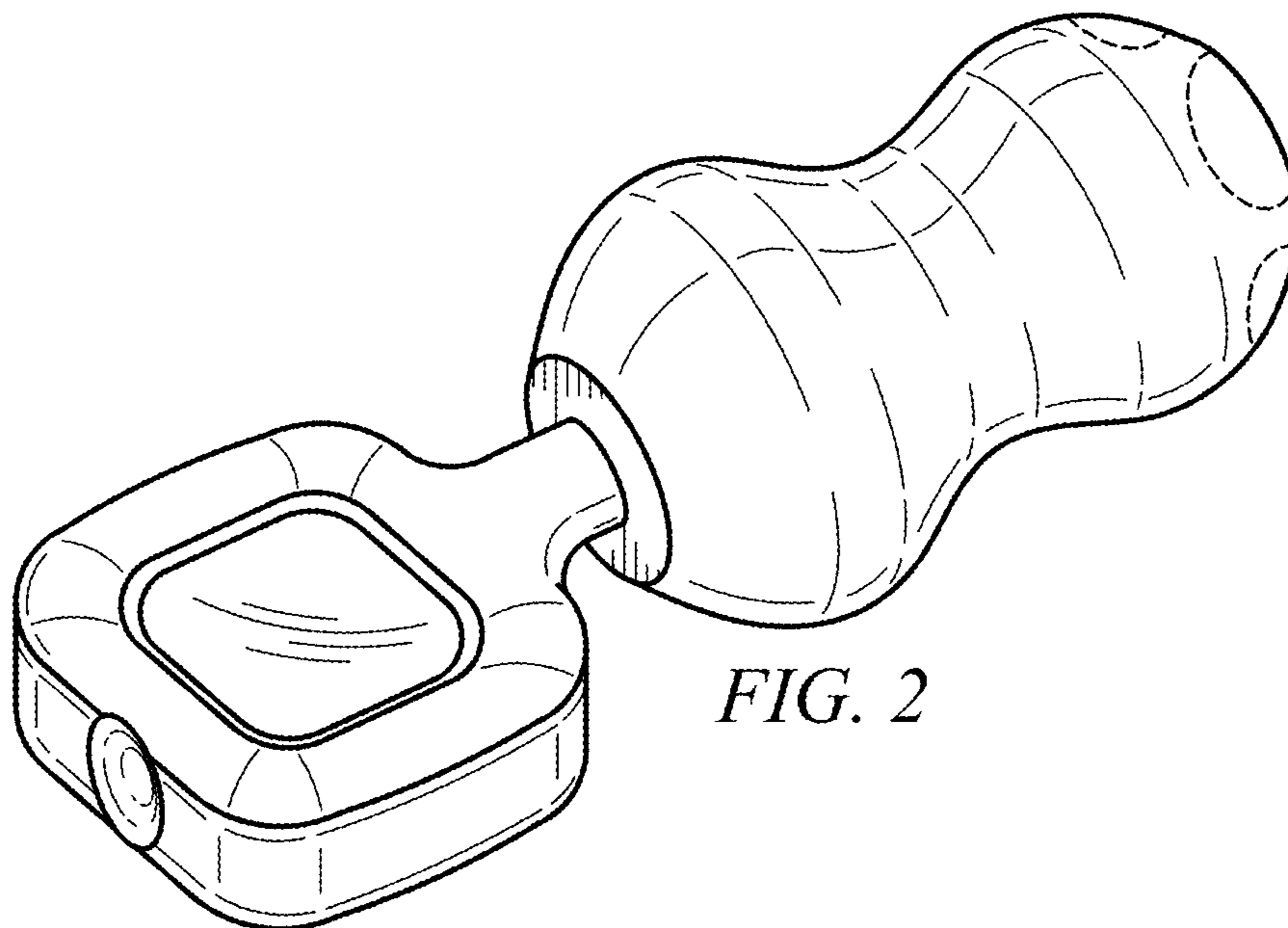
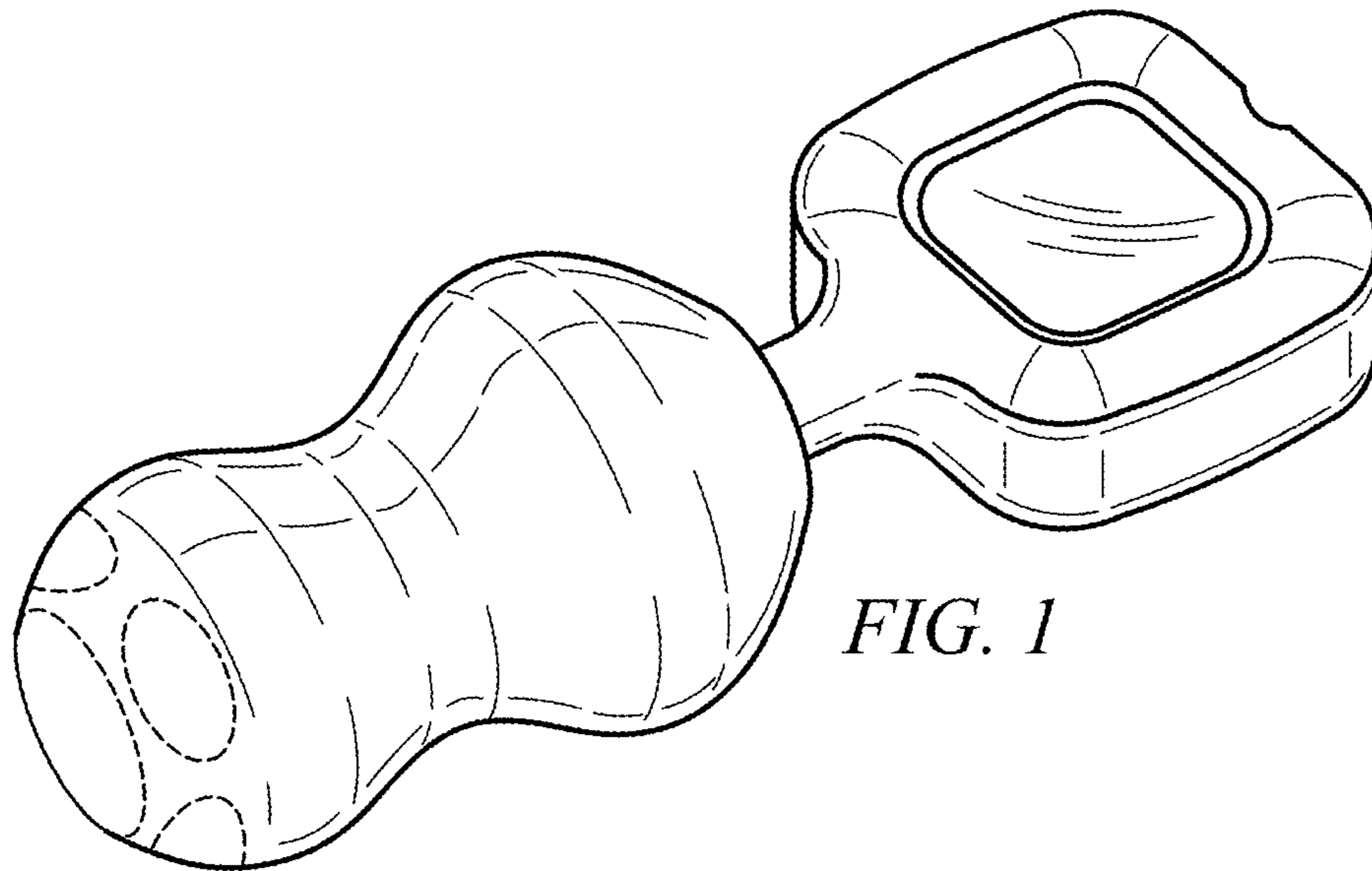
(56)

References Cited

U.S. PATENT DOCUMENTS

D317,632 S *	6/1991	Mariol	D21/406
D445,894 S *	7/2001	Remer	D24/106
D467,333 S	12/2002	Martinson	
D492,791 S *	7/2004	Alexander	D24/211
D496,722 S	9/2004	Falco et al.	
D621,030 S	8/2010	Falco	
D641,465 S	7/2011	Falco	
D681,189 S *	4/2013	Solomon, Jr.	D24/106
8,413,663 B2	4/2013	Turdjian et al.	
D712,029 S *	8/2014	Tai	D24/141
2010/0300460 A1 *	12/2010	Falco	A61F 11/08
			128/864
2013/0161119 A1 *	6/2013	Mulvey	A61F 11/08
			181/135
2015/0272774 A1 *	10/2015	Lee	A61F 7/00
			601/15

* cited by examiner



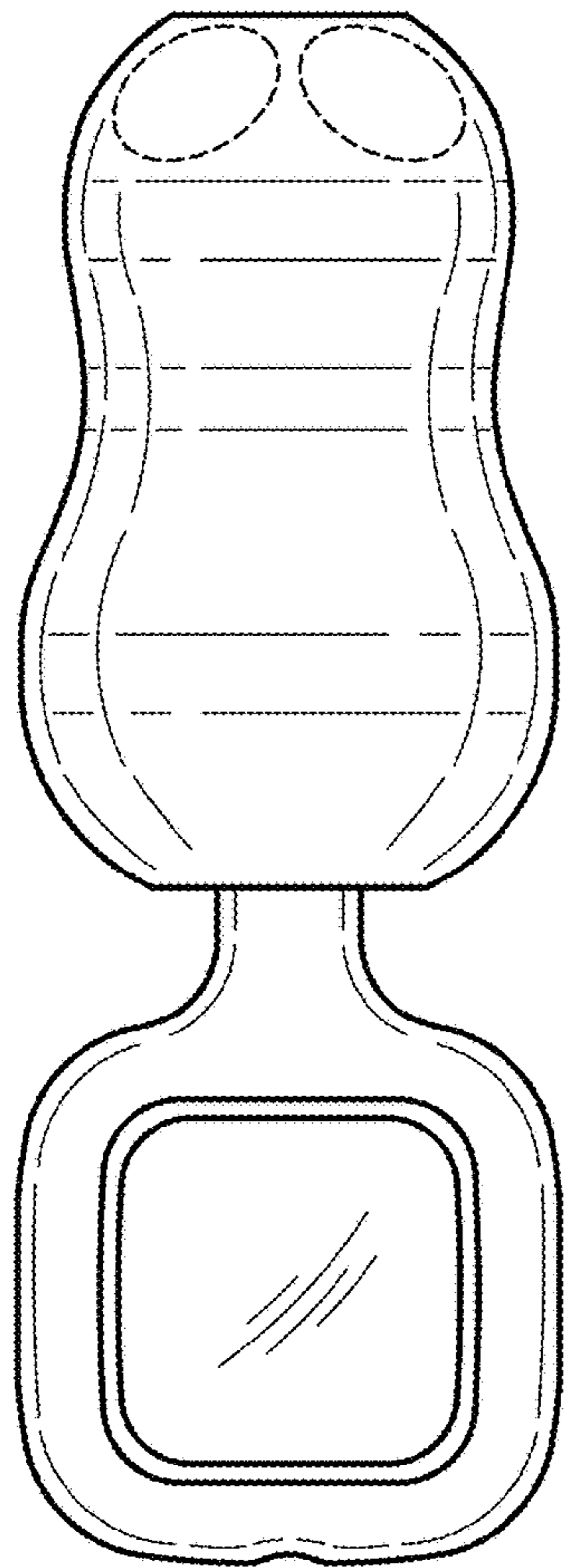


FIG. 3

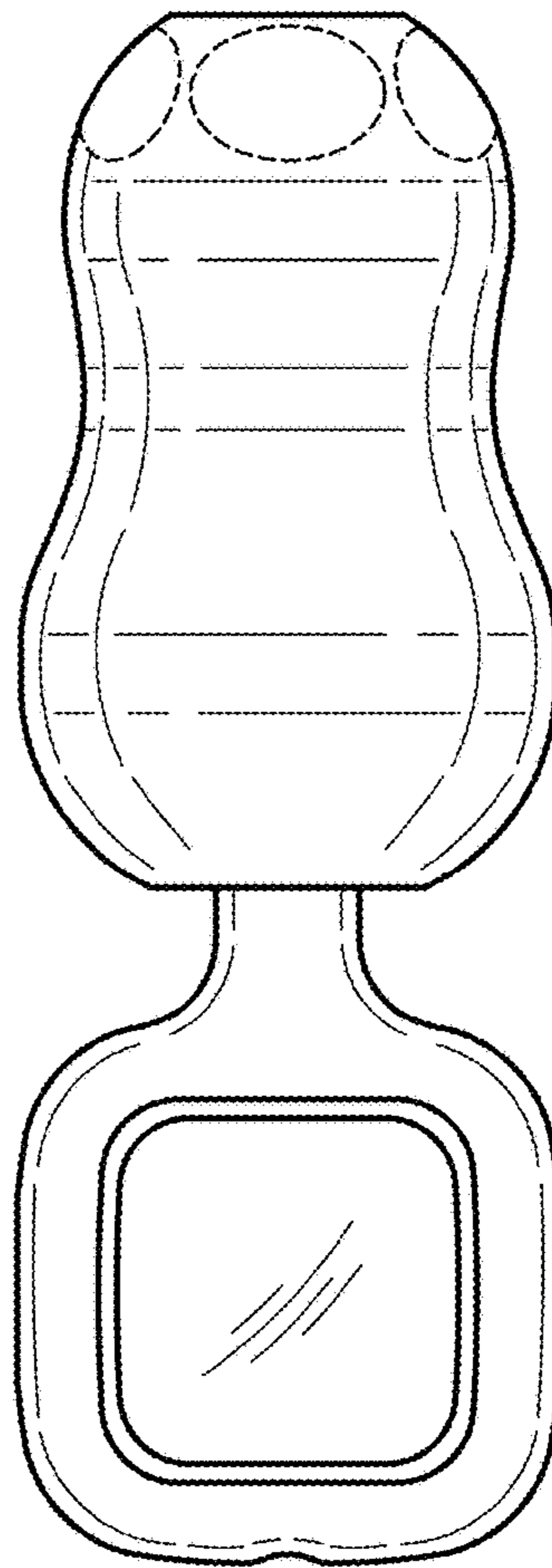


FIG. 4

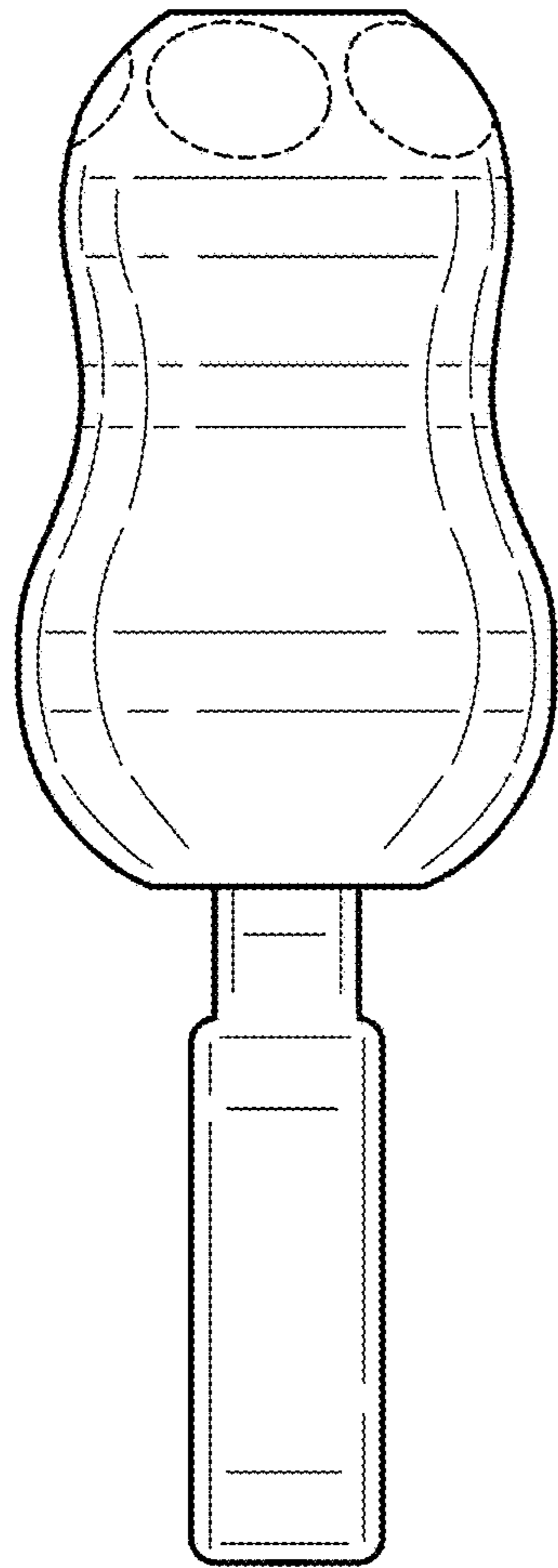


FIG. 5

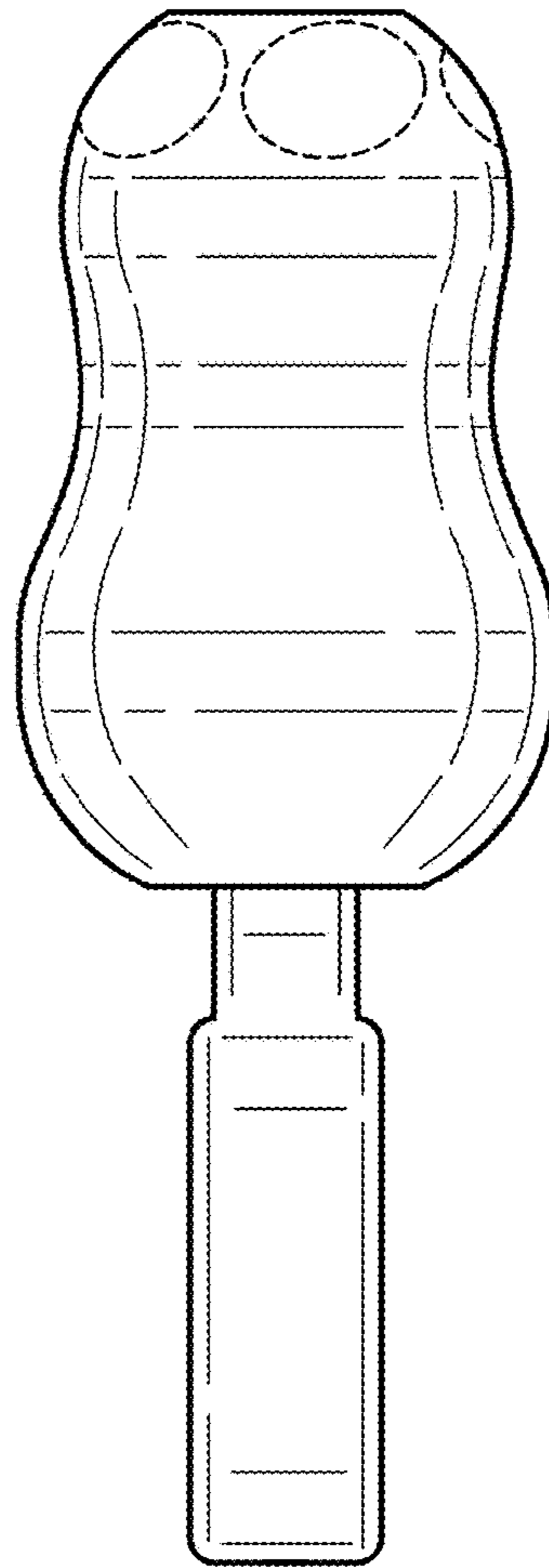


FIG. 6

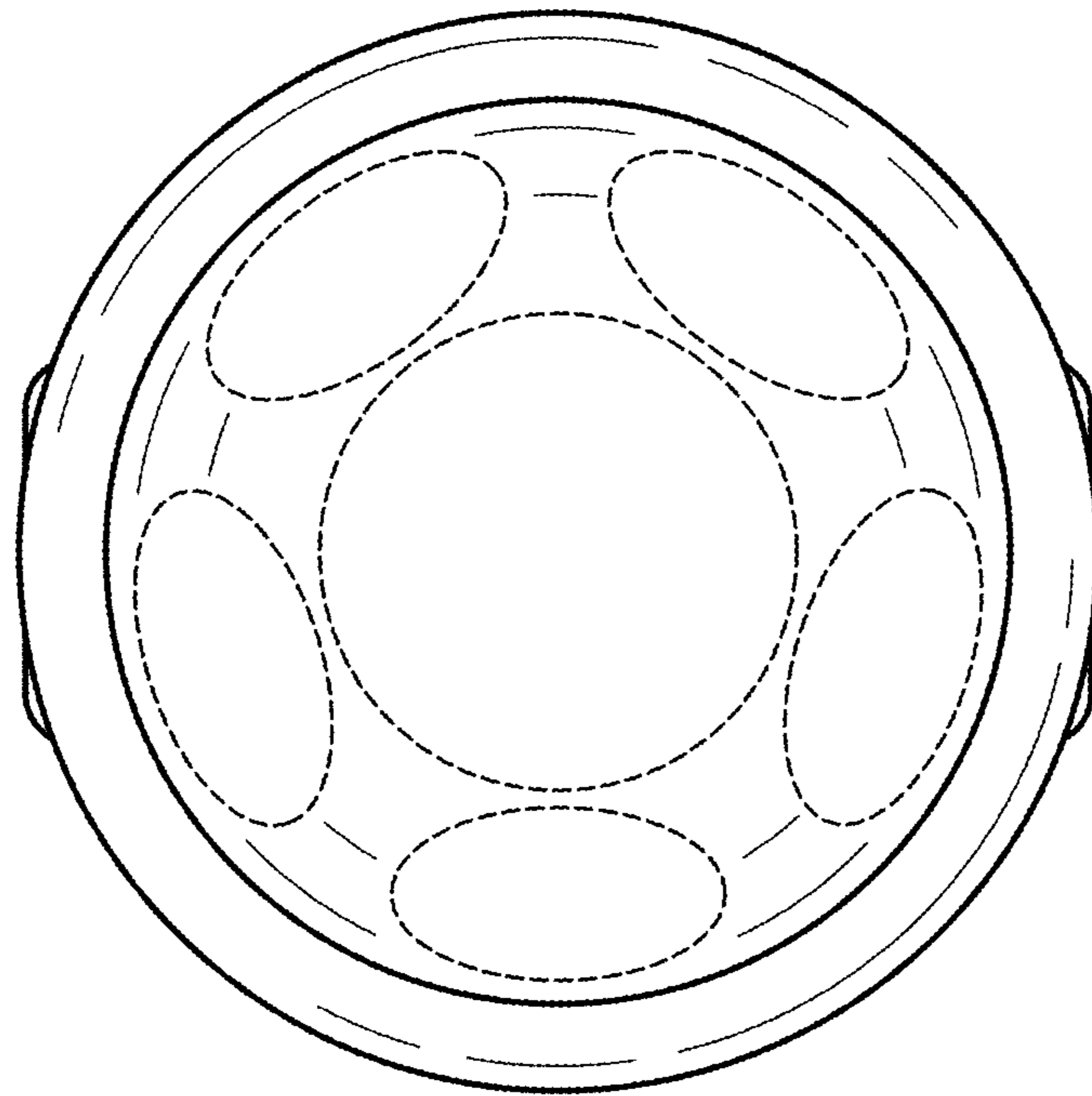


FIG. 7

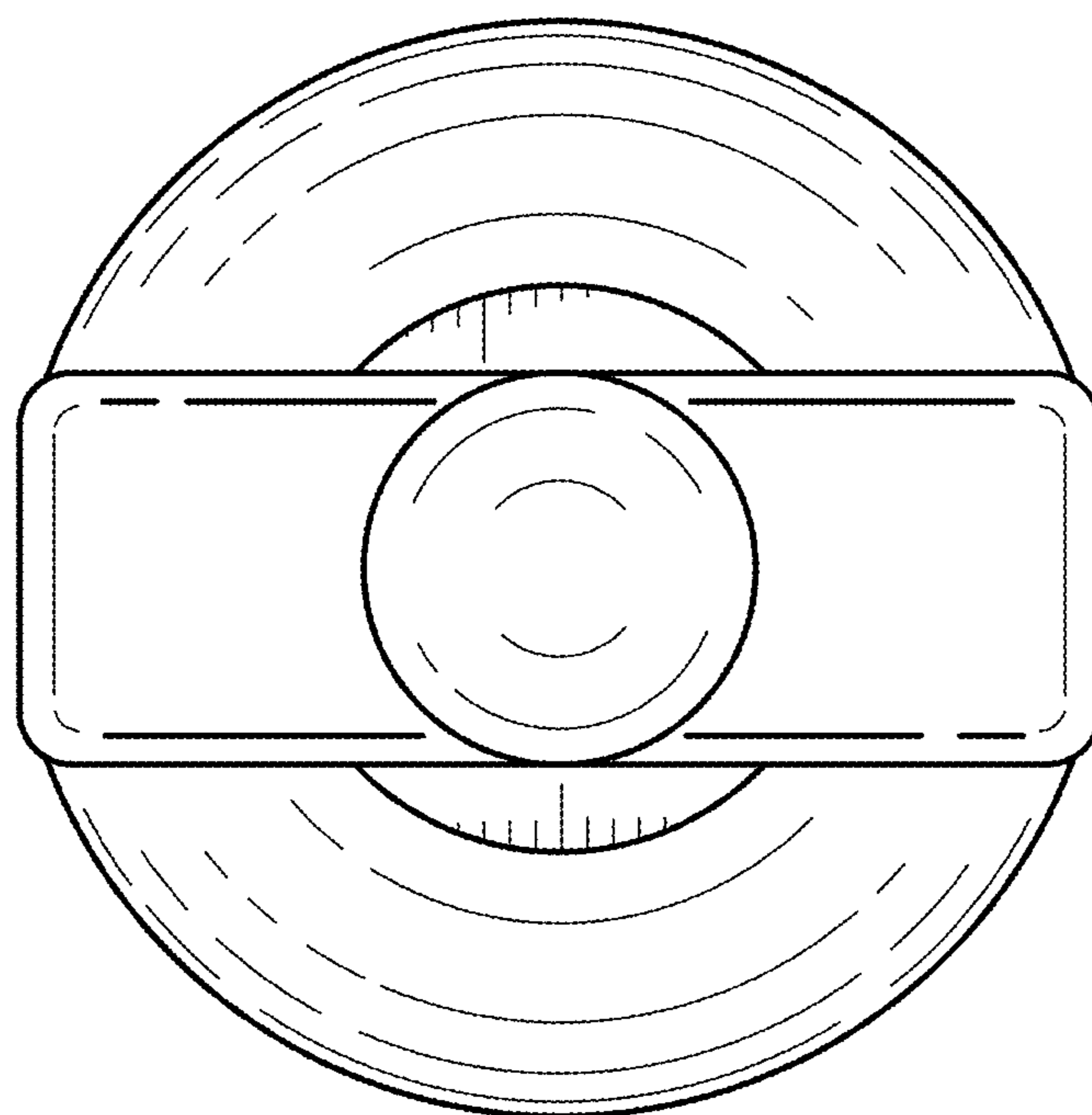


FIG. 8

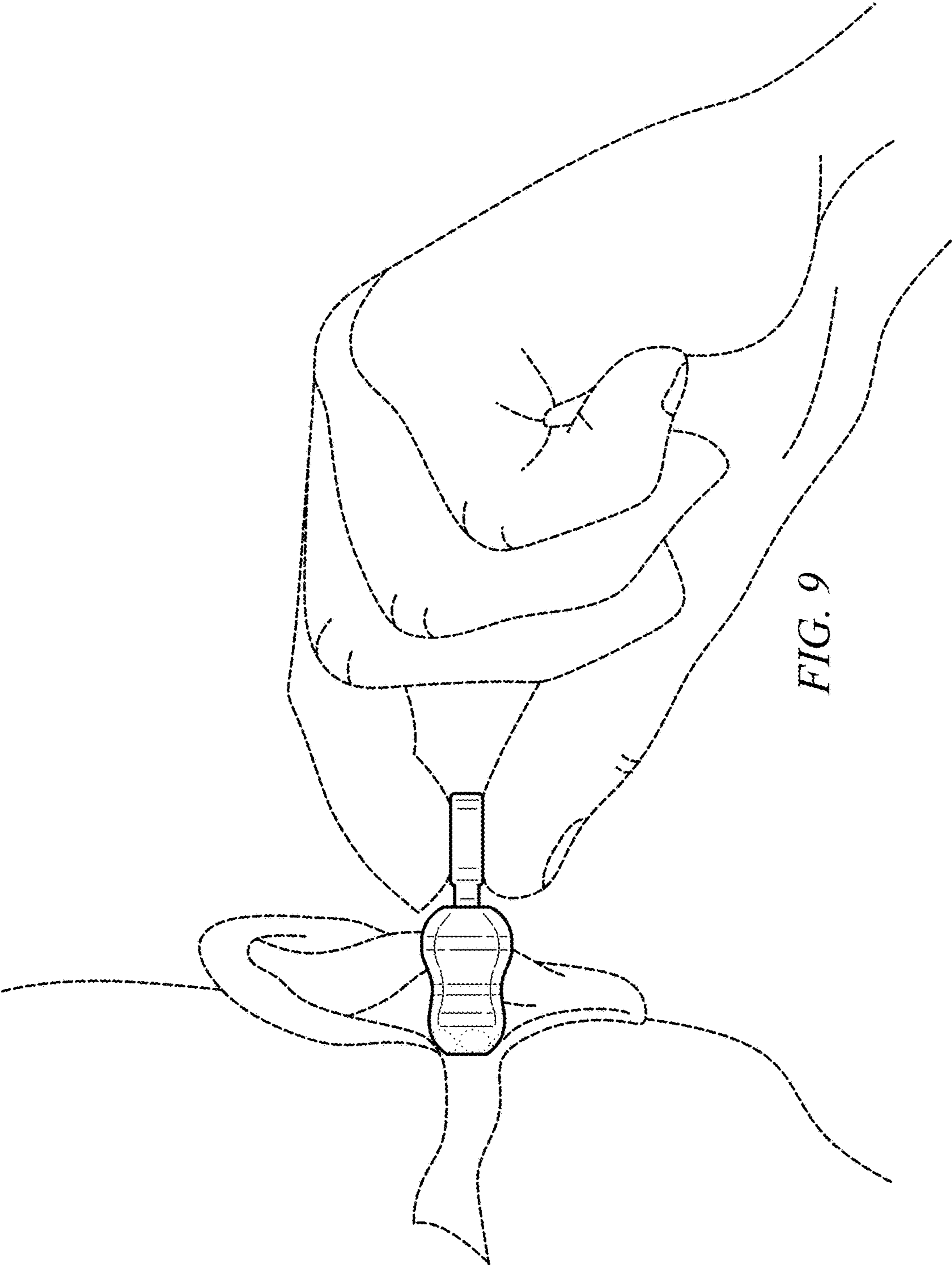
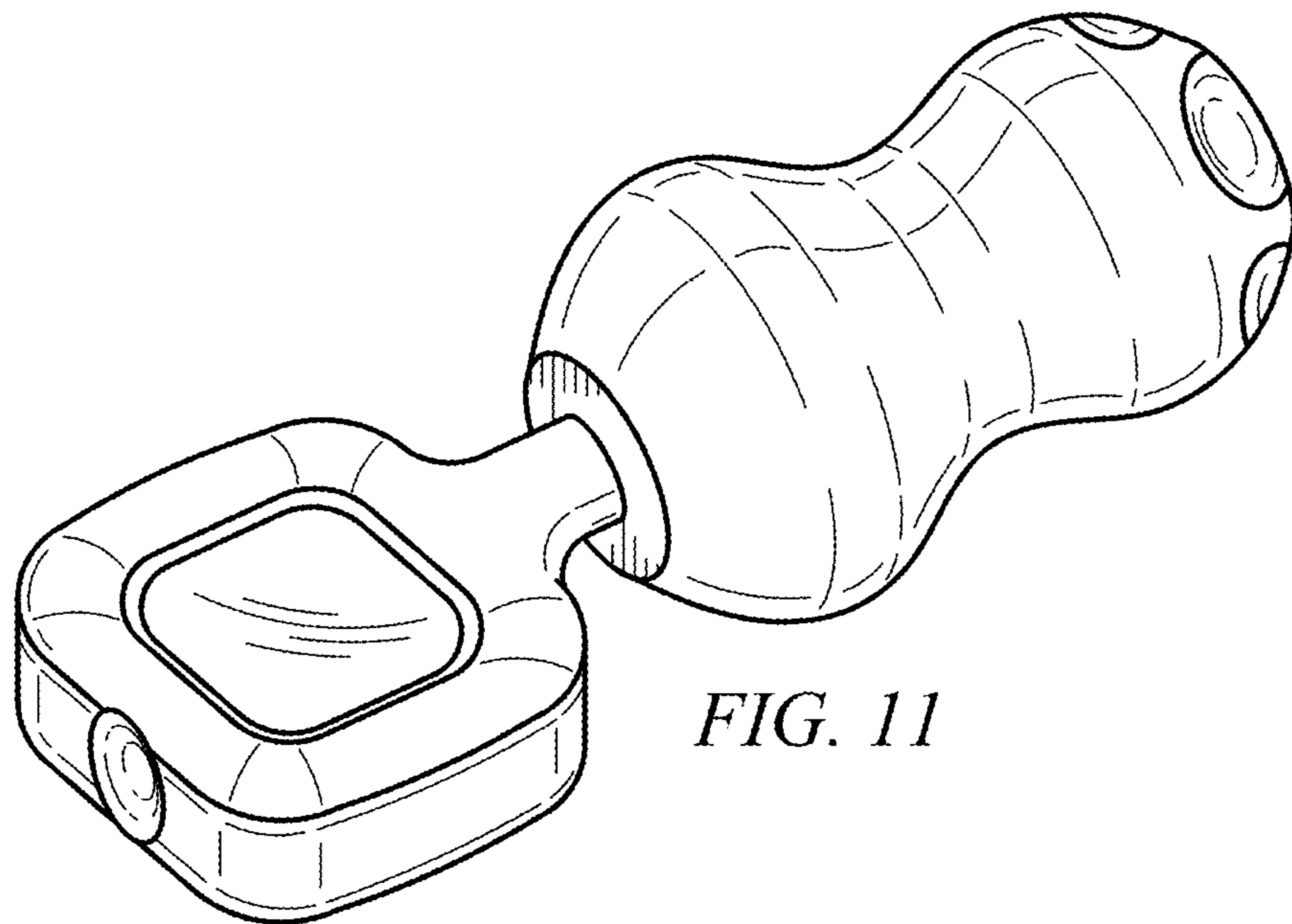
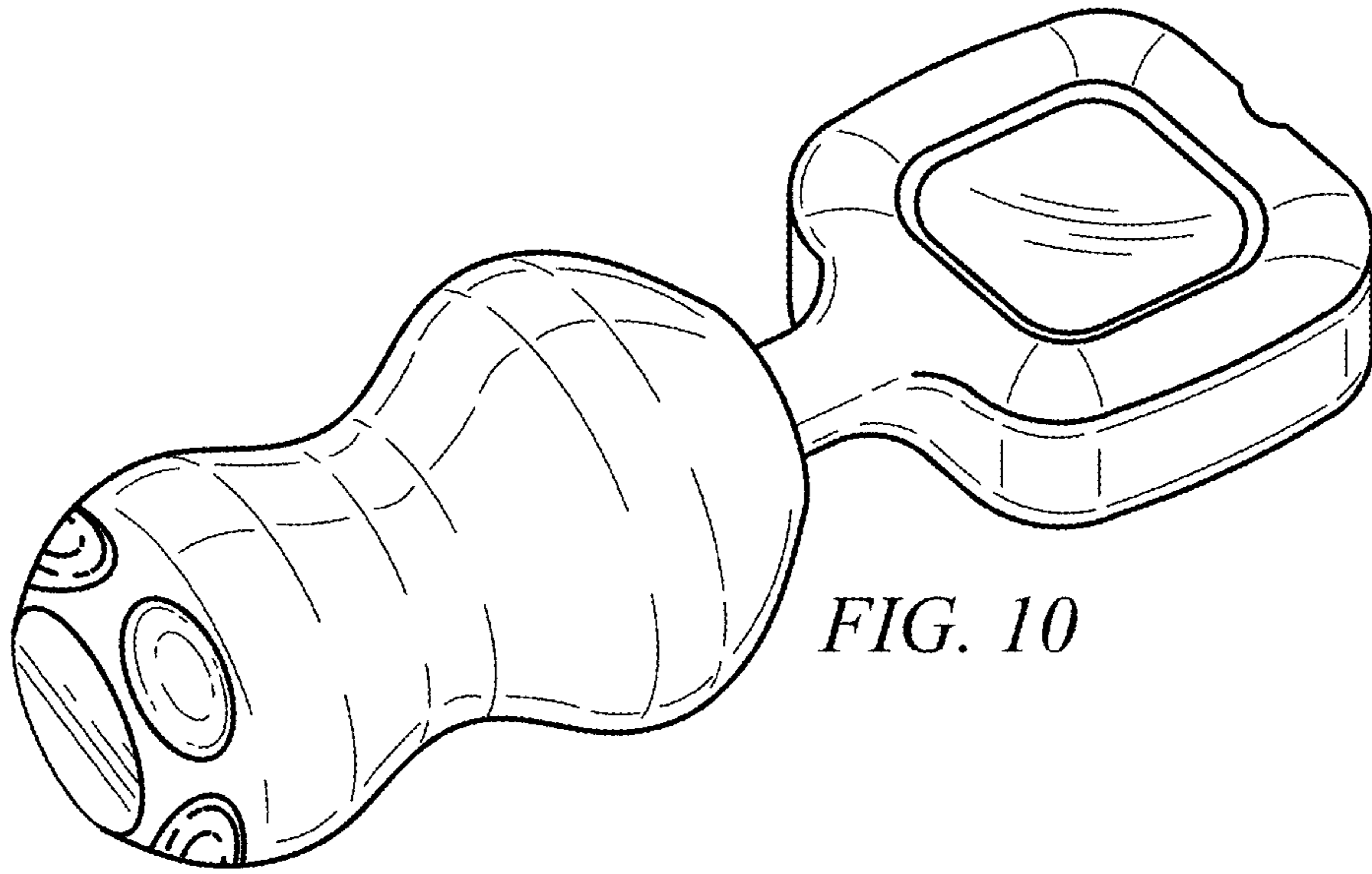


FIG. 9



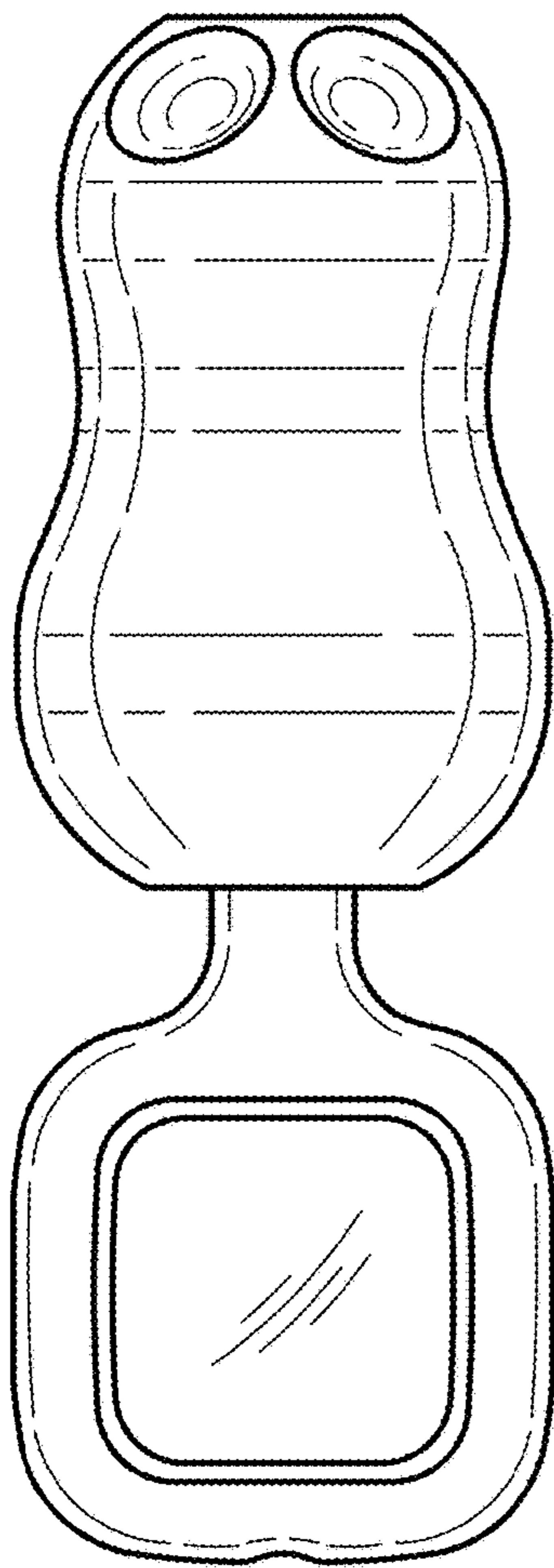


FIG. 12

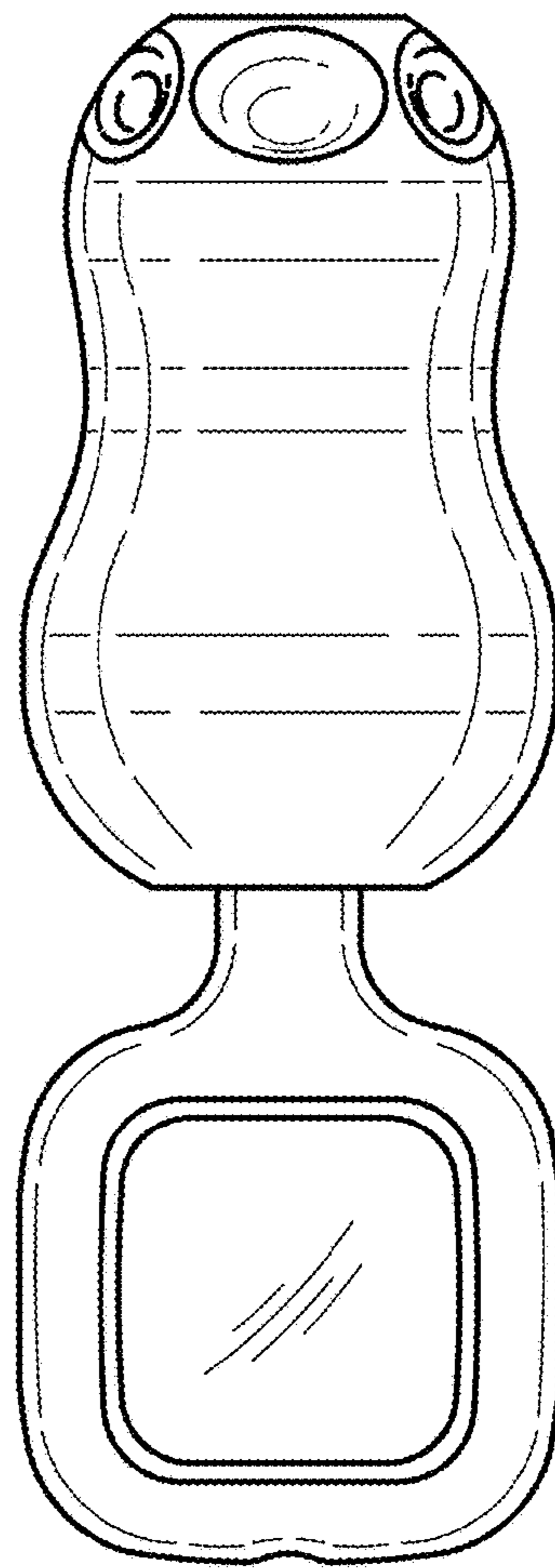


FIG. 13

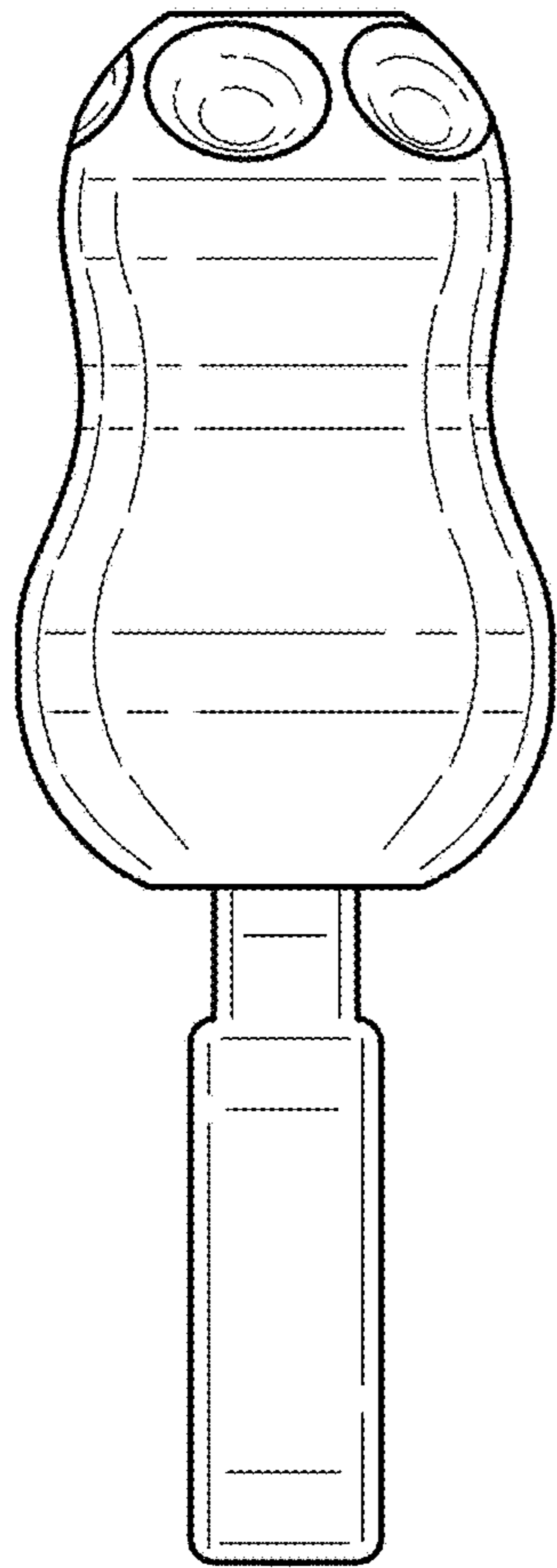


FIG. 14

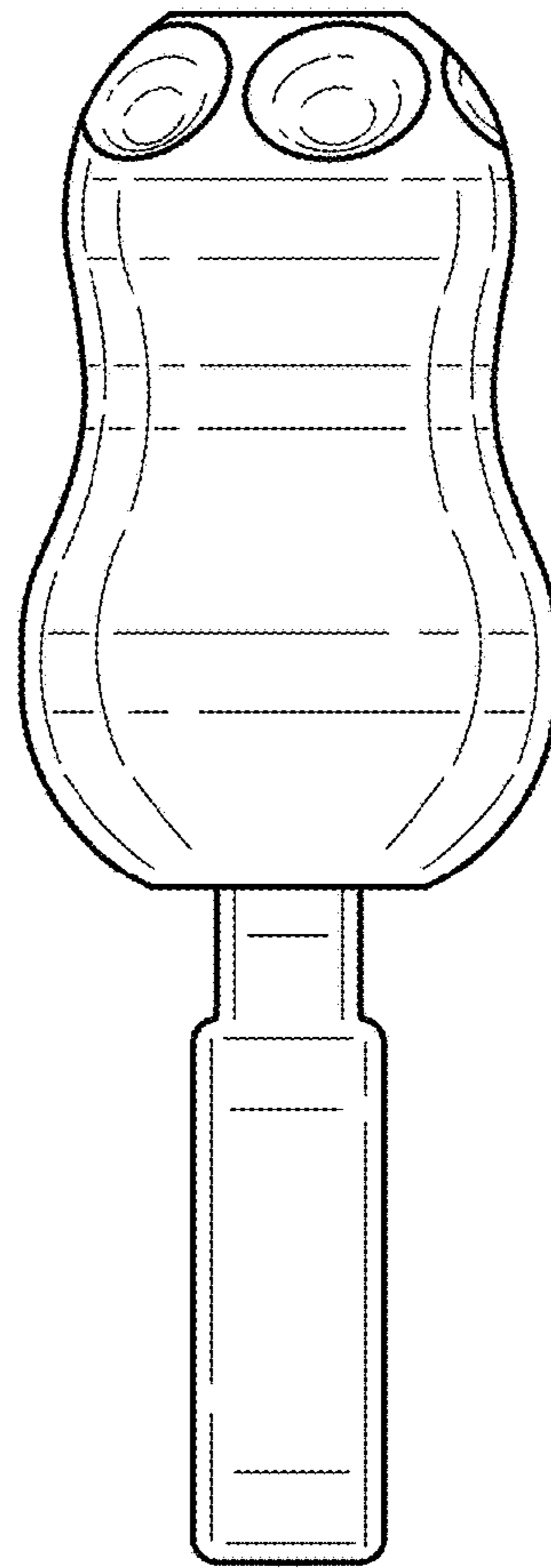


FIG. 15

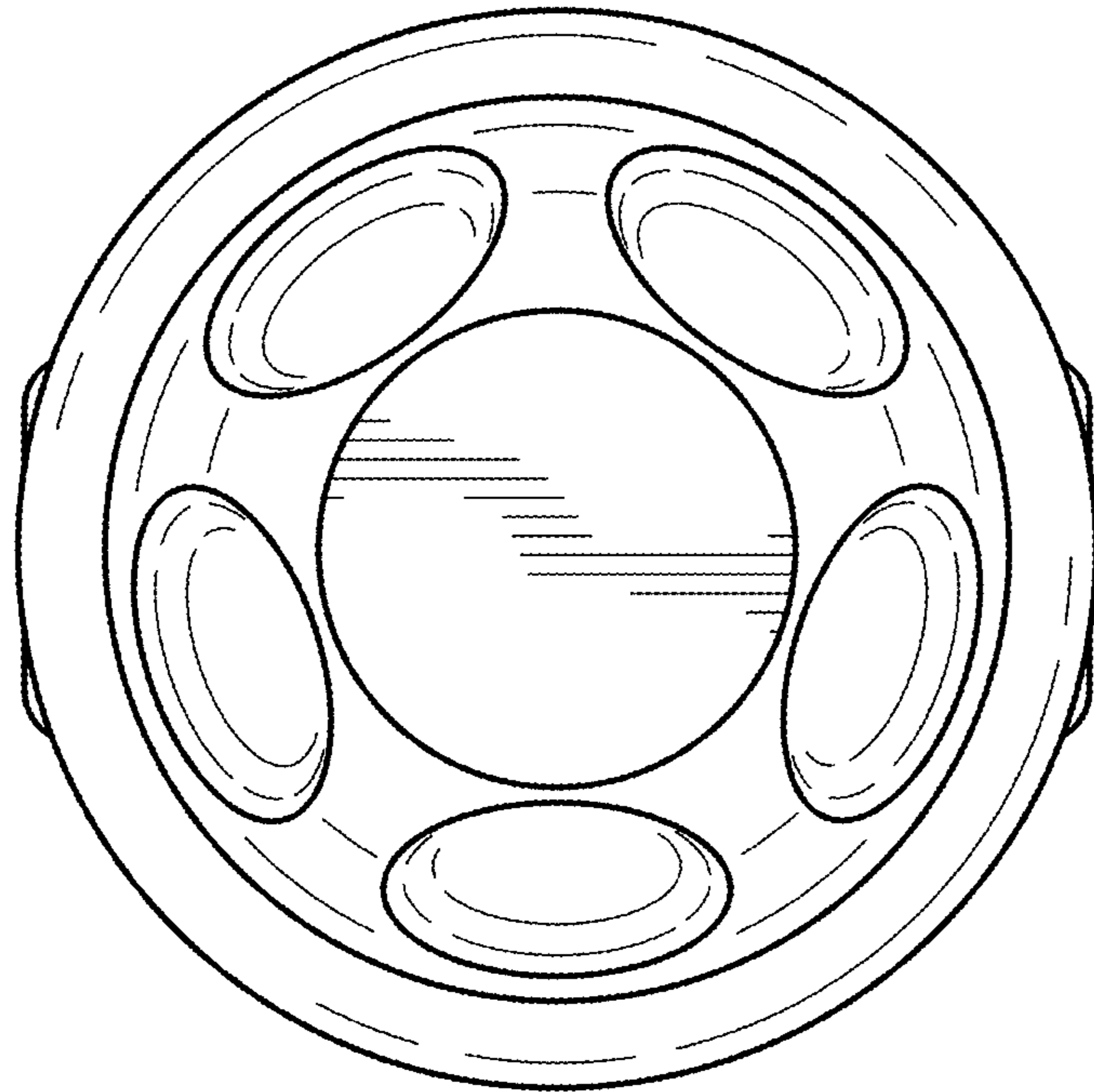


FIG. 16

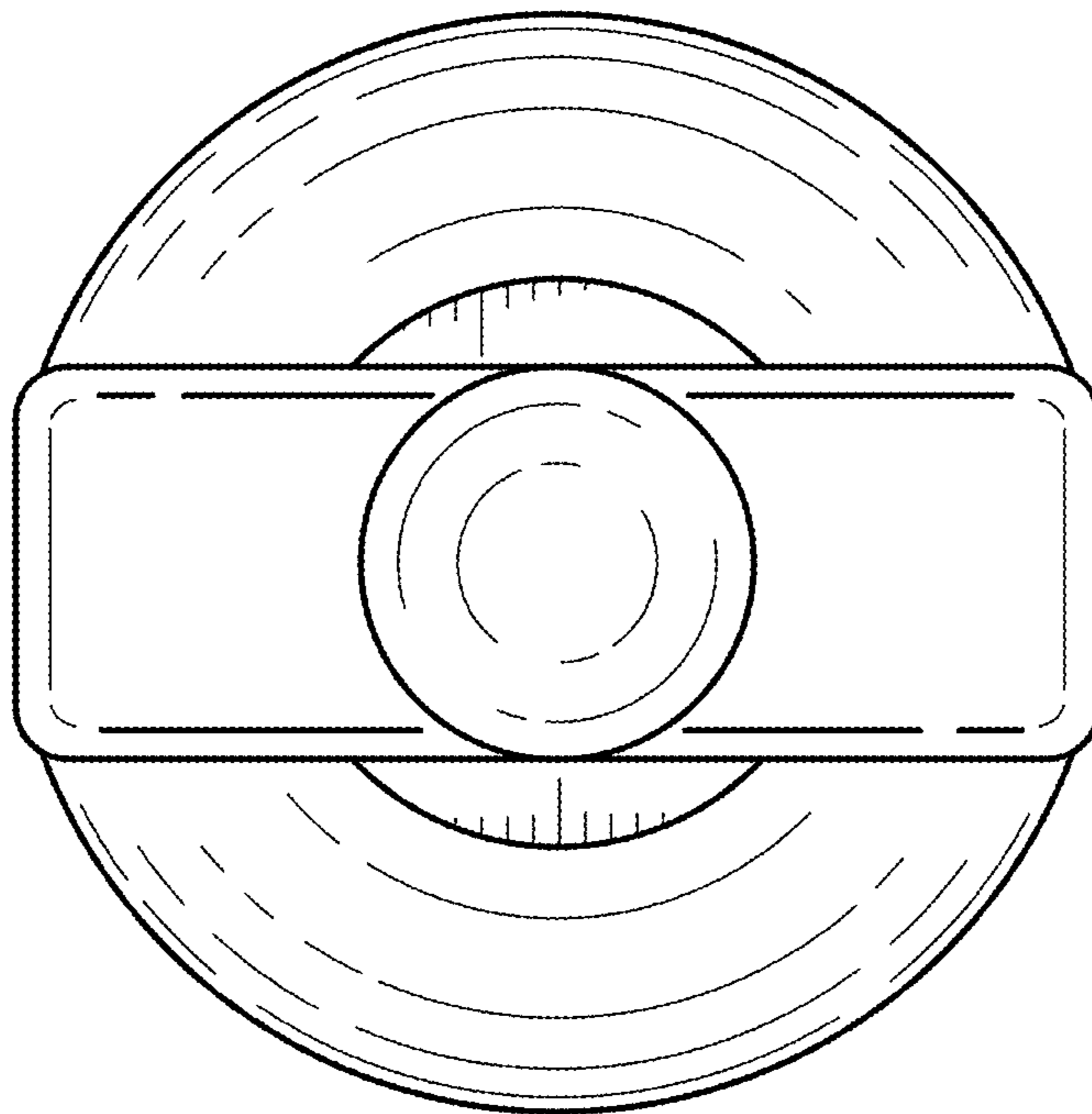


FIG. 17

UNITED STATES PATENT AND TRADEMARK OFFICE
CERTIFICATE OF CORRECTION

PATENT NO. : D788,290 S
APPLICATION NO. : 29/519523
DATED : May 30, 2017
INVENTOR(S) : Rocky Qu et al.

Page 1 of 1

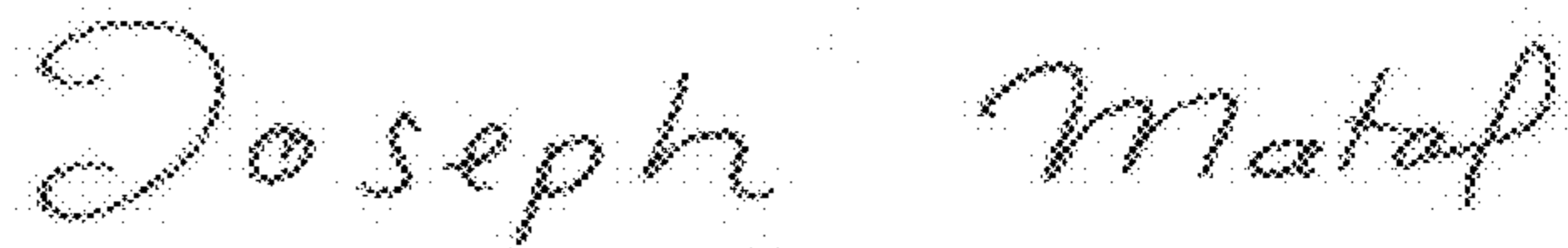
It is certified that error appears in the above-identified patent and that said Letters Patent is hereby corrected as shown below:

On the Title Page

DESCRIPTION

Line 26: “and,” should be “and”

Signed and Sealed this
Twenty-fourth Day of October, 2017



Joseph Matal

*Performing the Functions and Duties of the
Under Secretary of Commerce for Intellectual Property and
Director of the United States Patent and Trademark Office*