



US00D788289S

(12) **United States Design Patent** (10) **Patent No.:** **US D788,289 S**
Qu et al. (45) **Date of Patent:** **** May 30, 2017**

(54) **POD-SHAPED EARPLUG WITH PADDLE HANDLE**

(71) Applicant: **Honeywell International Inc.**,
Morristown, NJ (US)

(72) Inventors: **Rocky Qu**, Shanghai (CN); **Zhao Xia Jin**, Shanghai (CN); **Jex Zhang**, Shanghai (CN); **Charlotte Loomis**, La Jolla, CA (US); **Dave Mulvey**, San Diego, CA (US)

(73) Assignee: **Honeywell International Inc.**,
Morristown, NJ (US)

(**) Term: **14 Years**

(21) Appl. No.: **29/519,491**

(22) Filed: **Mar. 5, 2015**

(51) **LOC (10) Cl.** **24-04**

(52) **U.S. Cl.**
USPC **D24/106**

(58) **Field of Classification Search**
USPC D24/106, 141, 173, 174, 211; D1/102, D1/105; D14/205, 206, 223; D21/406, D21/408; D29/112
CPC A61F 11/08; A61F 2011/085; A61F 11/10; A61F 11/12; A61F 13/2005; A61F 13/2011; A61F 13/2017
See application file for complete search history.

(56) **References Cited**

U.S. PATENT DOCUMENTS

D237,199 S * 10/1975 Sauter D24/104
4,053,051 A 10/1977 Brinkhoff
D317,632 S * 6/1991 Mariol D21/406
D369,655 S * 5/1996 Esler D24/106

(Continued)

Primary Examiner — Richelle G Shelton

(74) *Attorney, Agent, or Firm* — Conley Rose, P.C.;
Kristin Jordan Harkins

(57) **CLAIM**

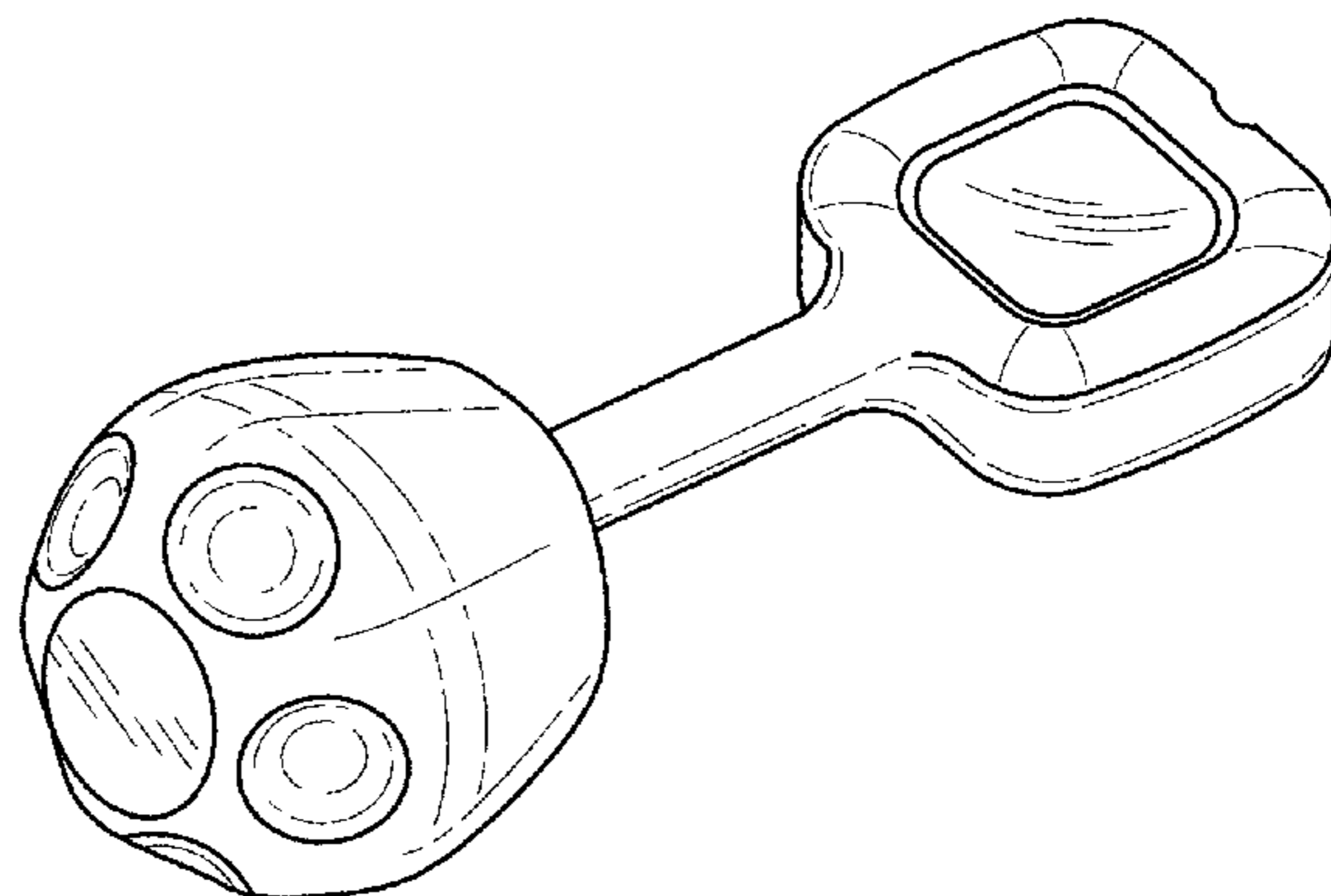
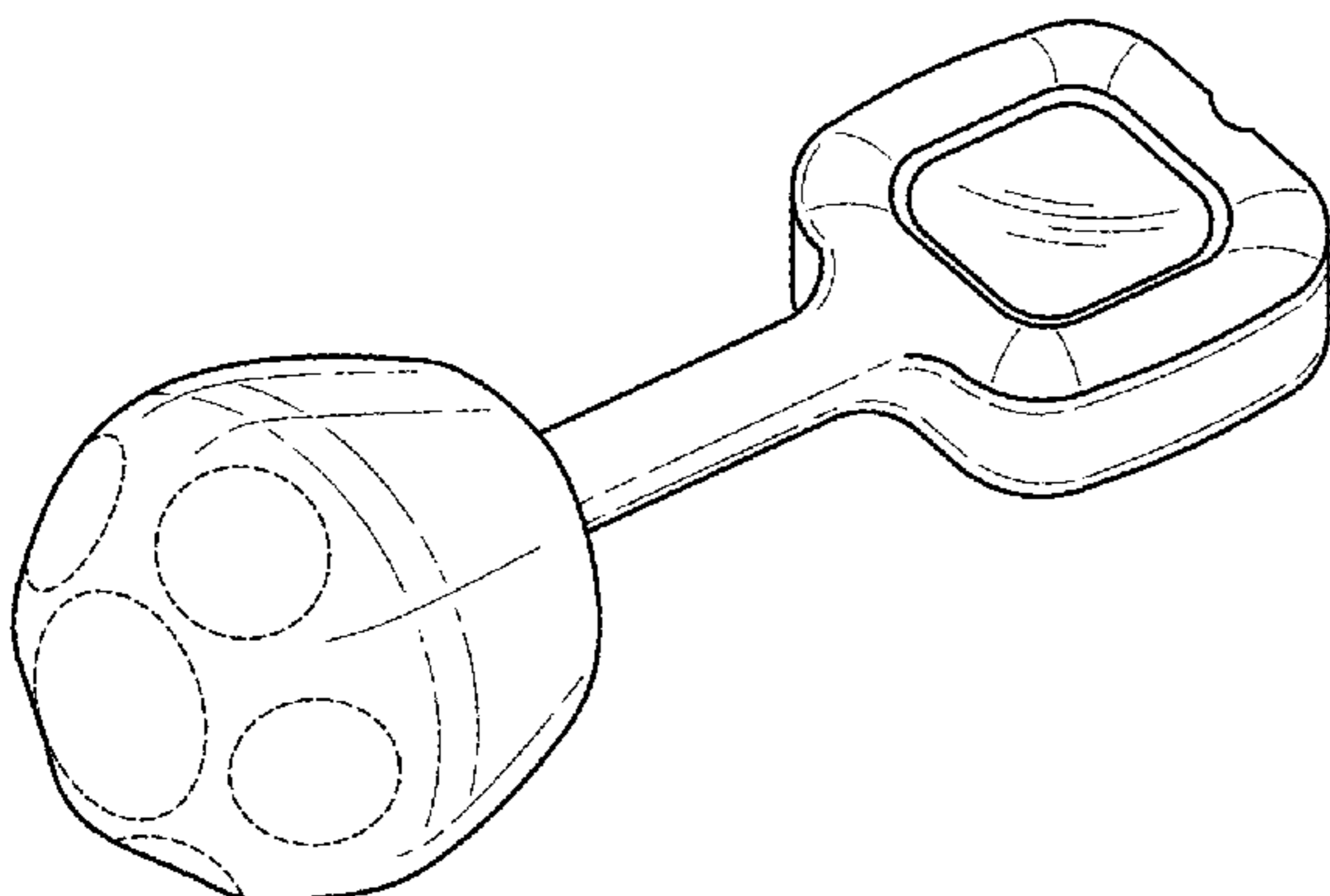
The ornamental design for a pod-shaped earplug with paddle handle, as shown and described.

DESCRIPTION

FIG. 1 is a front perspective view of a pod-shaped earplug with paddle handle in accordance with the new design; FIG. 2 is a rear perspective view thereof; FIG. 3 is a side elevation view thereof; FIG. 4 is a side elevation view thereof, for the side opposite that of FIG. 3; FIG. 5 is a side elevation view thereof, for the side 90 degrees from that of FIG. 4; FIG. 6 is a side elevation view thereof, for the side opposite that of FIG. 5; FIG. 7 is a front elevation view thereof; FIG. 8 is a rear elevation view thereof; FIG. 9 is a side elevation view of a second embodiment of the pod-shaped earplug with paddle handle showing a user inserting the earplug into an ear; FIG. 10 is a front perspective view of the pod-shaped earplug with paddle handle as shown in FIG. 9; FIG. 11 is a rear perspective view thereof; FIG. 12 is a side elevation view thereof; FIG. 13 is a side elevation view thereof, for the side opposite that of FIG. 12; FIG. 14 is a side elevation view thereof, for the side 90 degrees from that of FIG. 13; FIG. 15 is a side elevation view thereof, for the side opposite that of FIG. 14; FIG. 16 is a front elevation view thereof; and, FIG. 17 is a rear elevation view thereof.

The broken lines shown in FIG. 9 are provided to illustrate environment and form no part of the claimed design. The remaining broken lines shown in the drawings represent internal boundaries with the line itself and the area within forming no part of the claimed design.

1 Claim, 7 Drawing Sheets



(56)

References Cited

U.S. PATENT DOCUMENTS

D467,333	S	12/2002	Martinson	
D496,722	S	9/2004	Falco et al.	
D560,792	S *	1/2008	Miller	D24/106
D621,030	S	8/2010	Falco	
D641,465	S	7/2011	Falco	
D681,189	S *	4/2013	Solomon, Jr.	D24/106
8,413,663	B2	4/2013	Turdjian et al.	
2010/0300460	A1 *	12/2010	Falco	A61F 11/08 128/864
2013/0161119	A1 *	6/2013	Mulvey	A61F 11/08 181/135

* cited by examiner

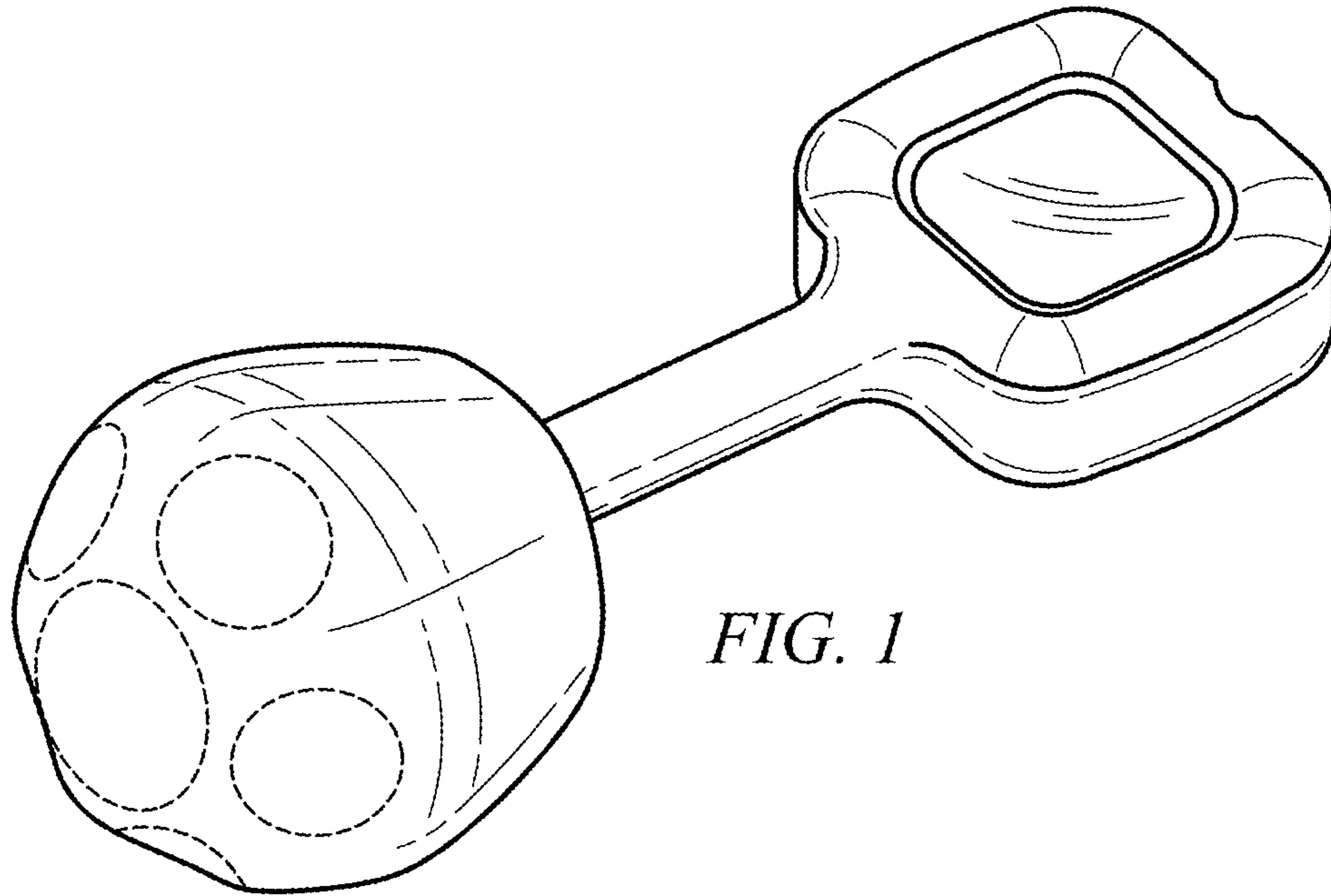


FIG. 1

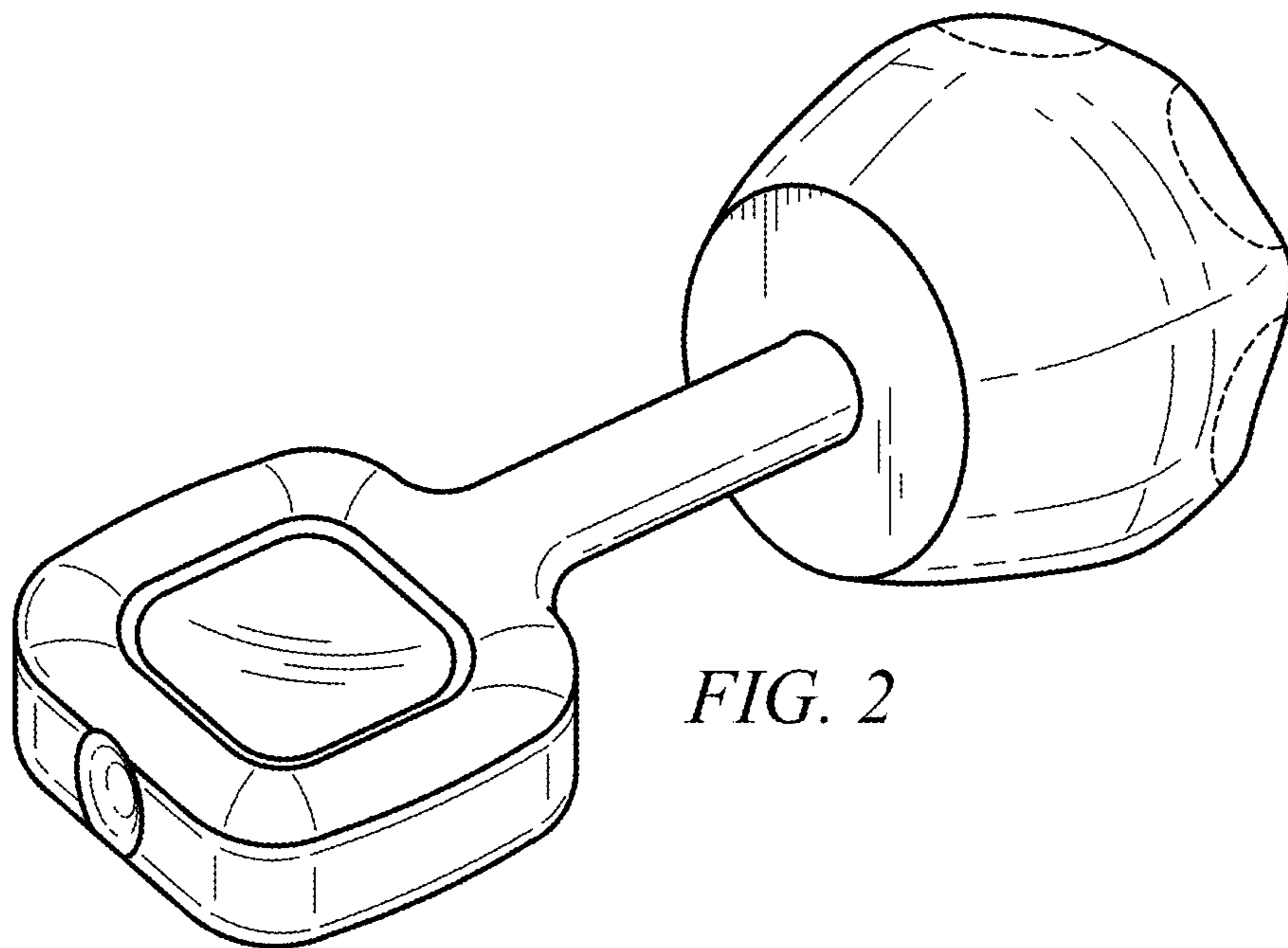


FIG. 2

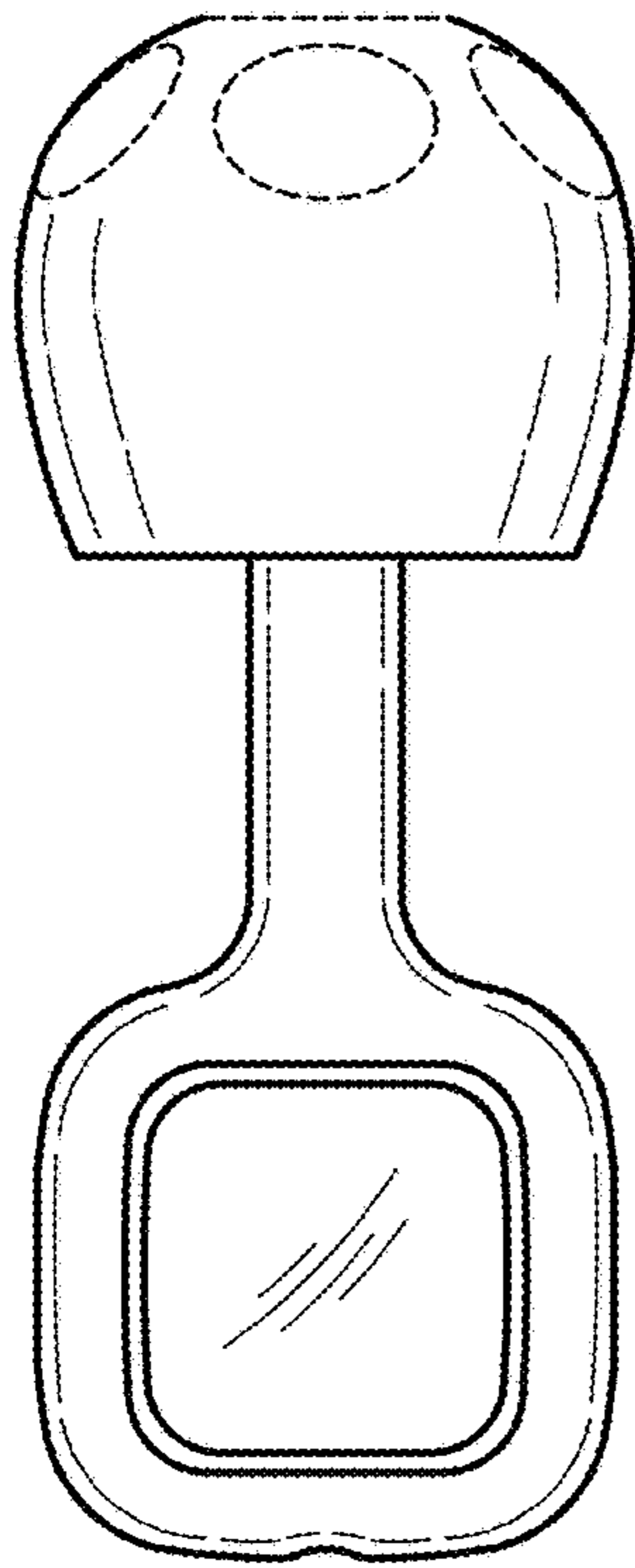


FIG. 3

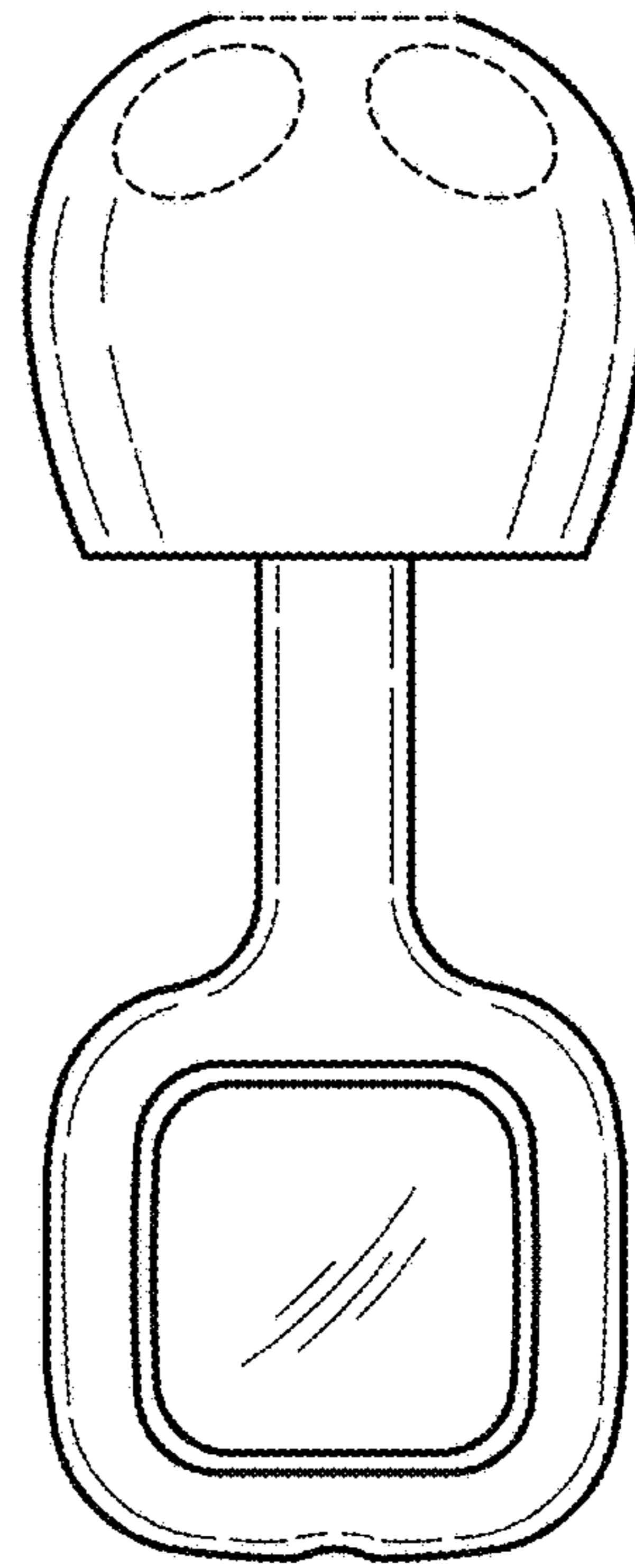


FIG. 4

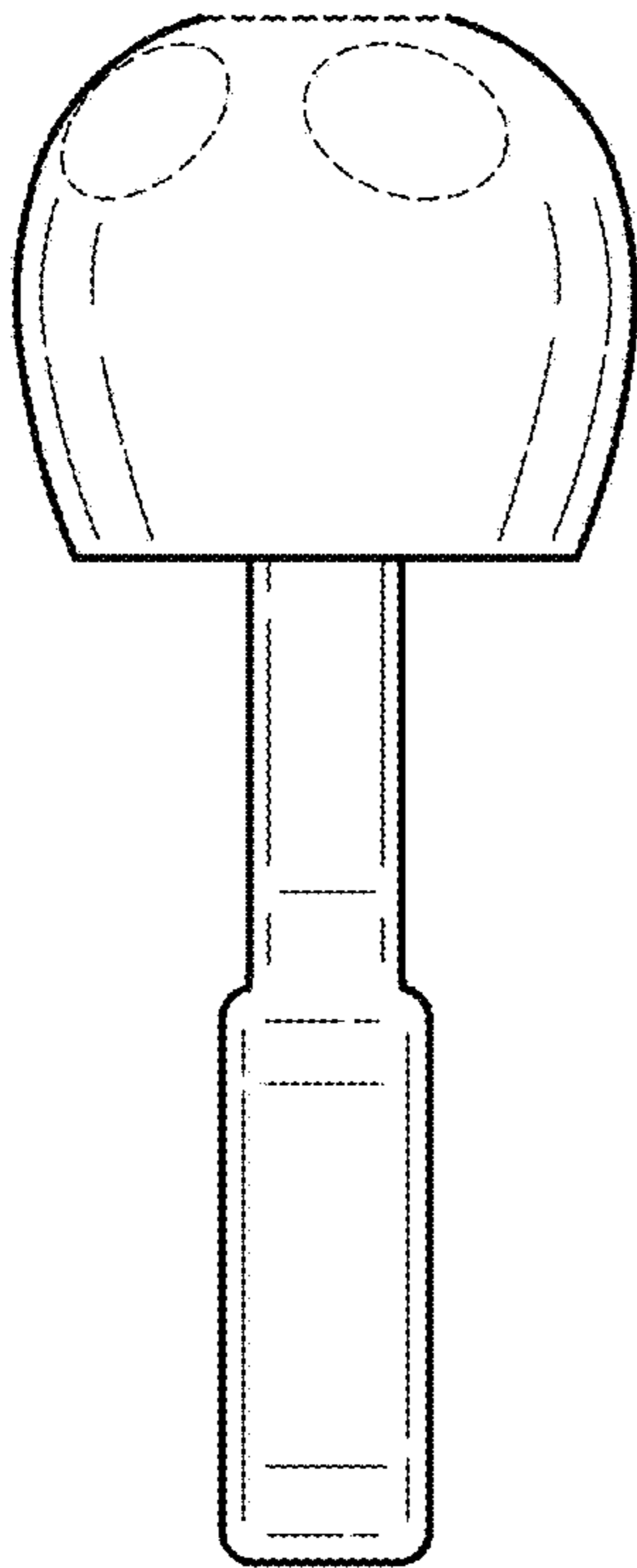


FIG. 5

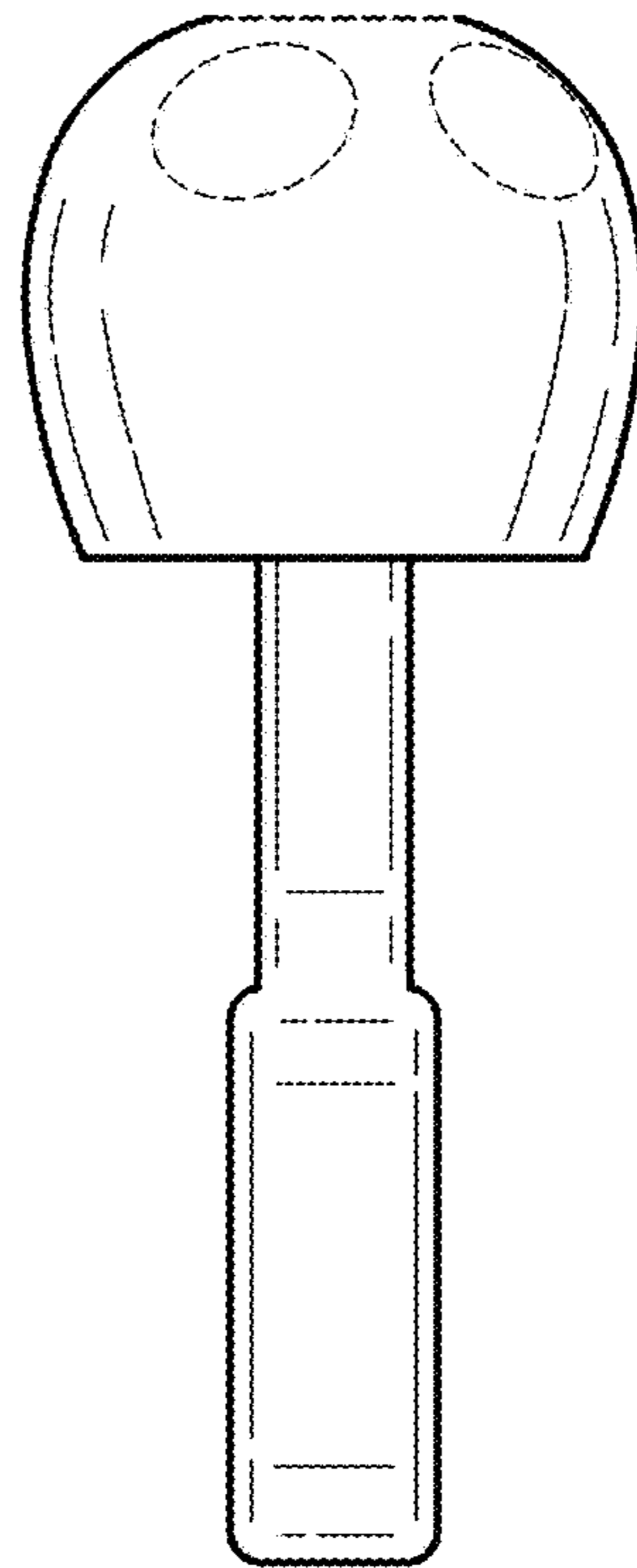


FIG. 6

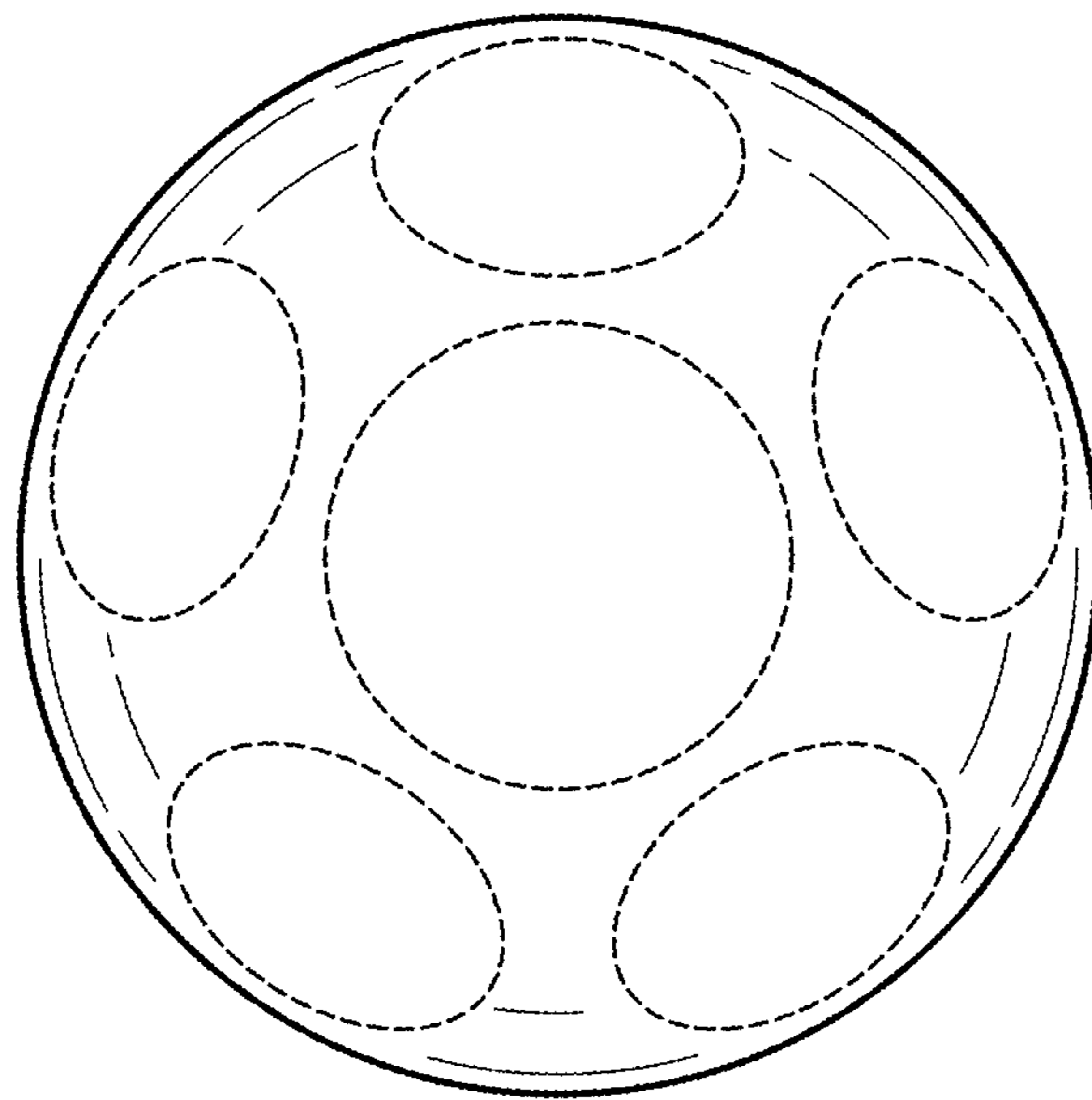


FIG. 7

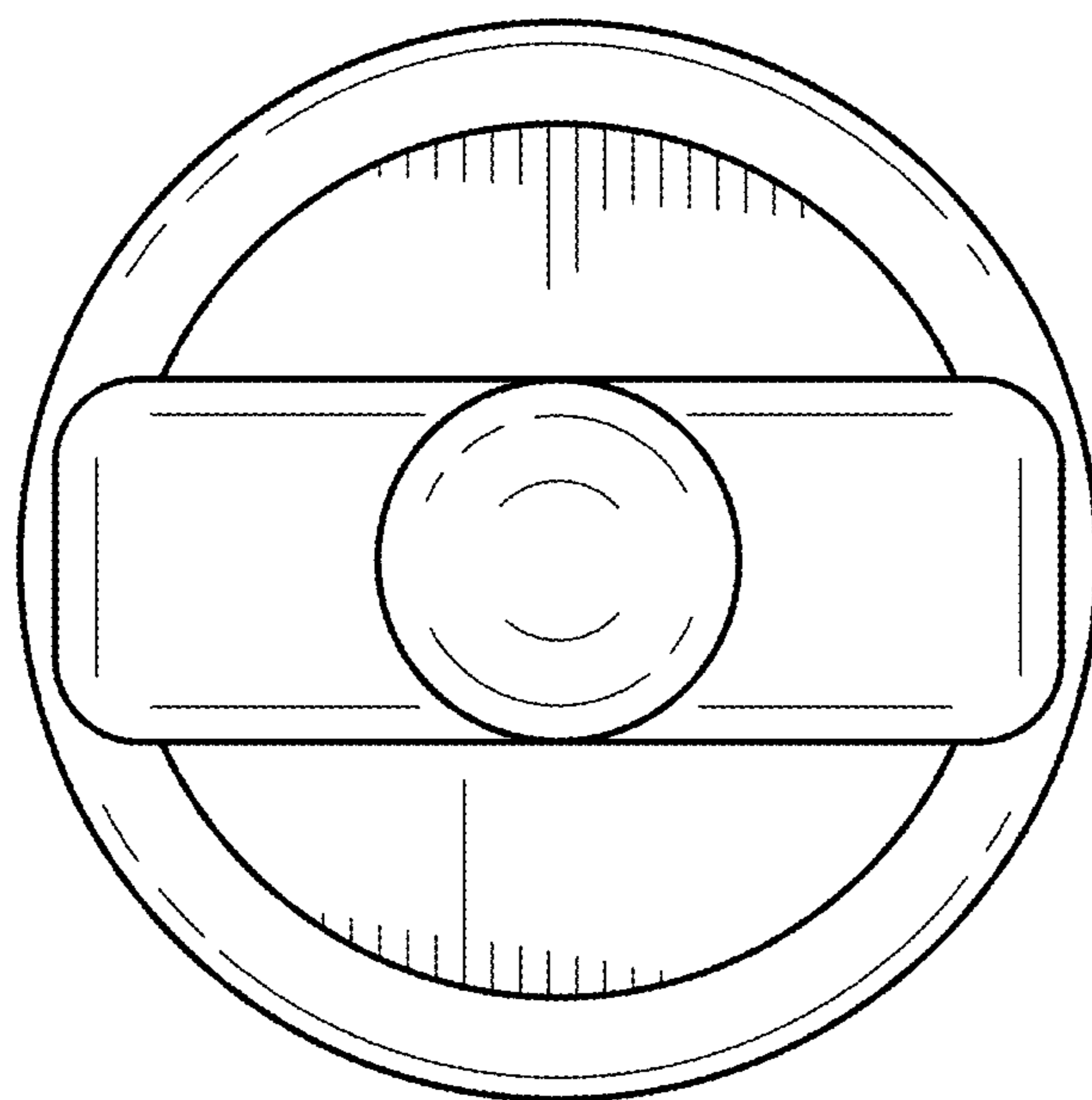
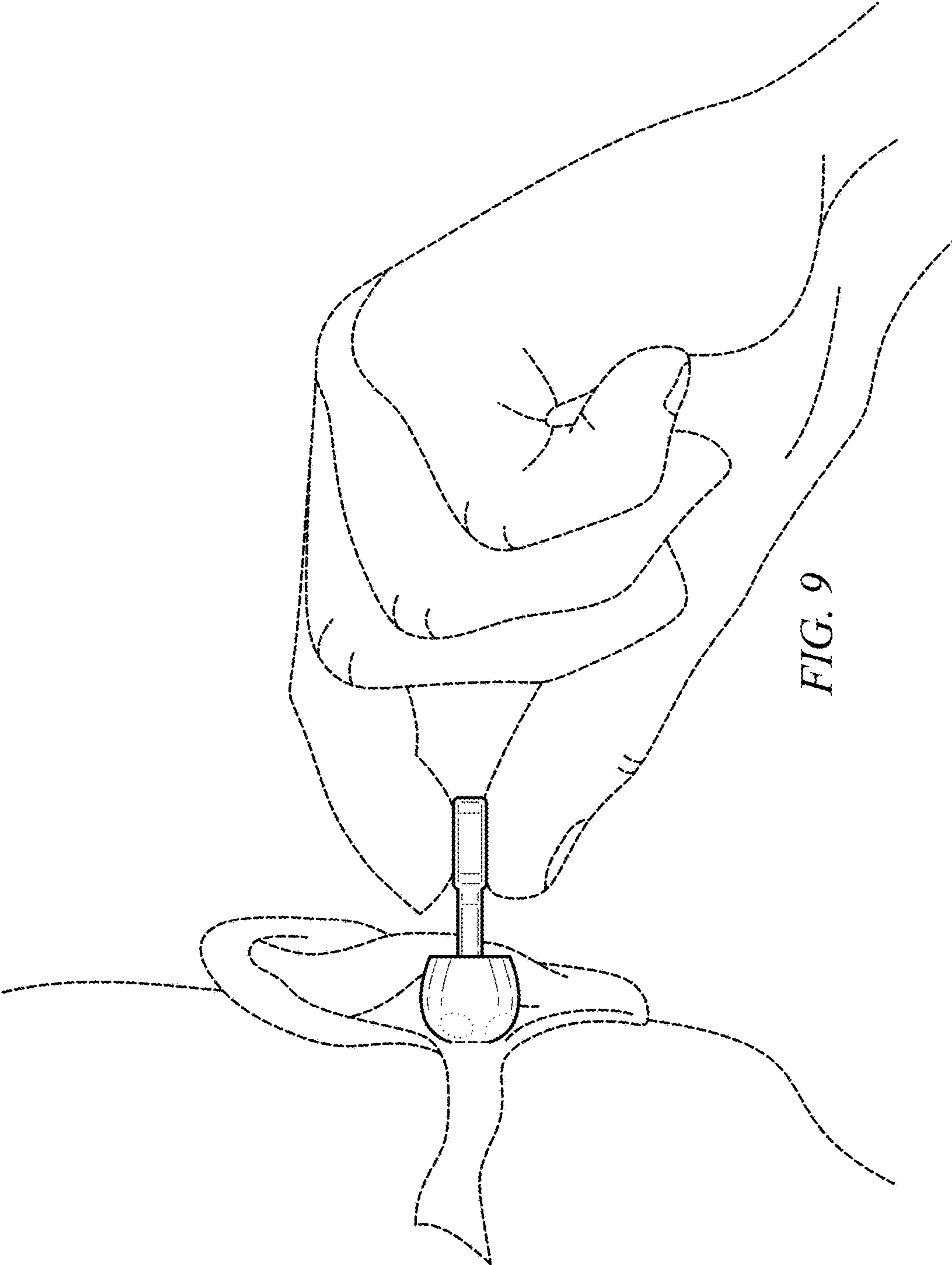


FIG. 8



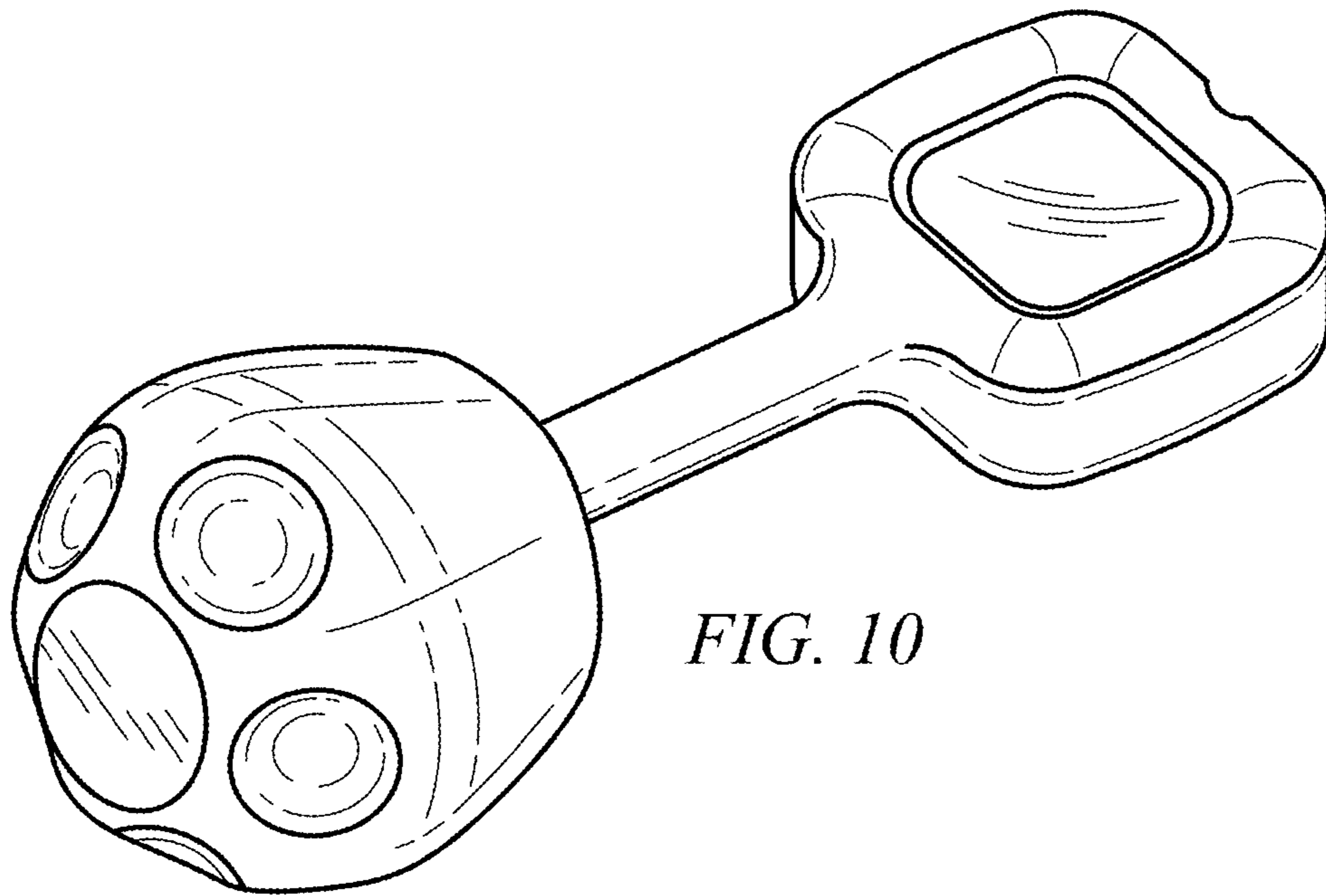


FIG. 10

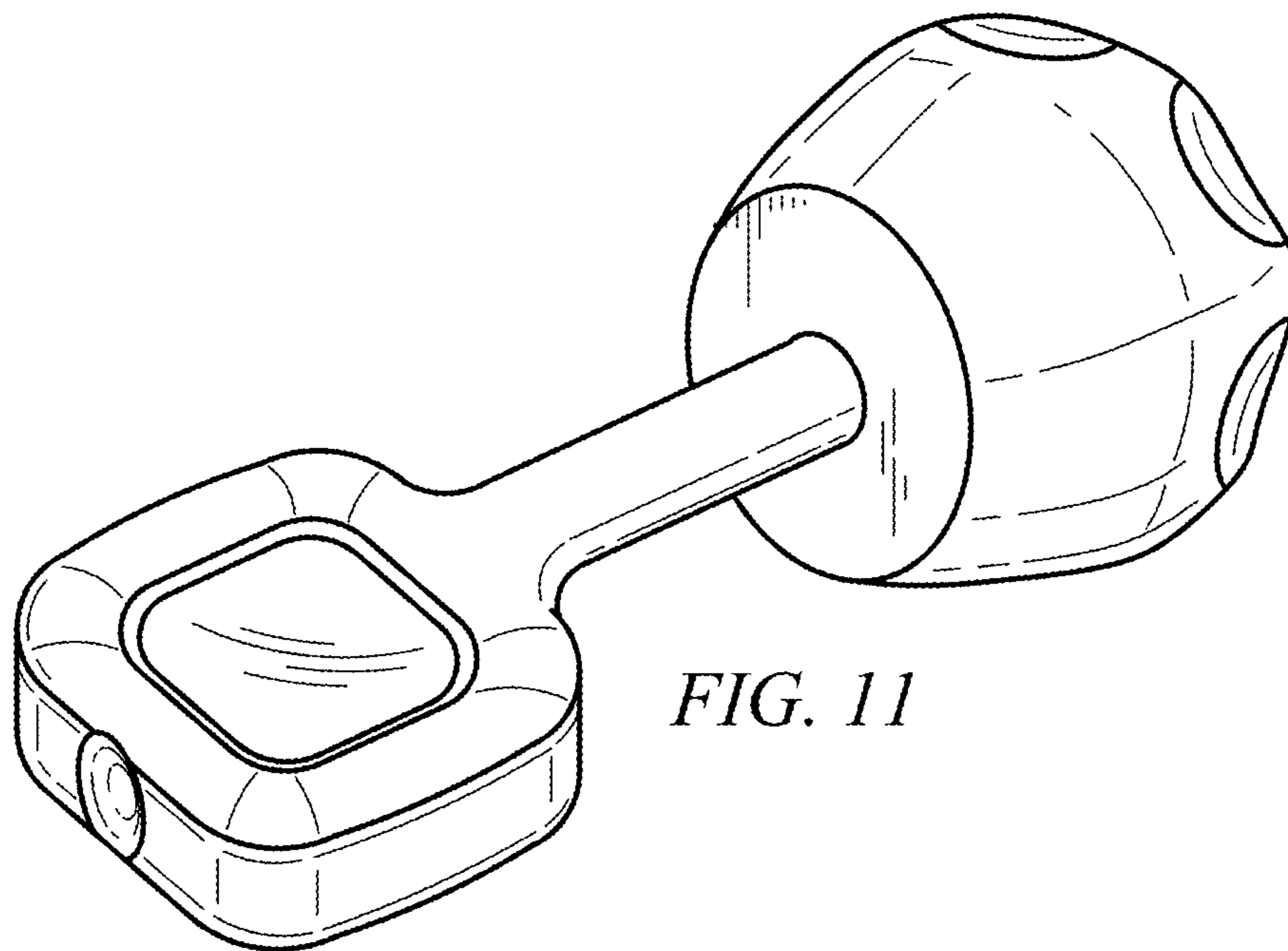


FIG. 11

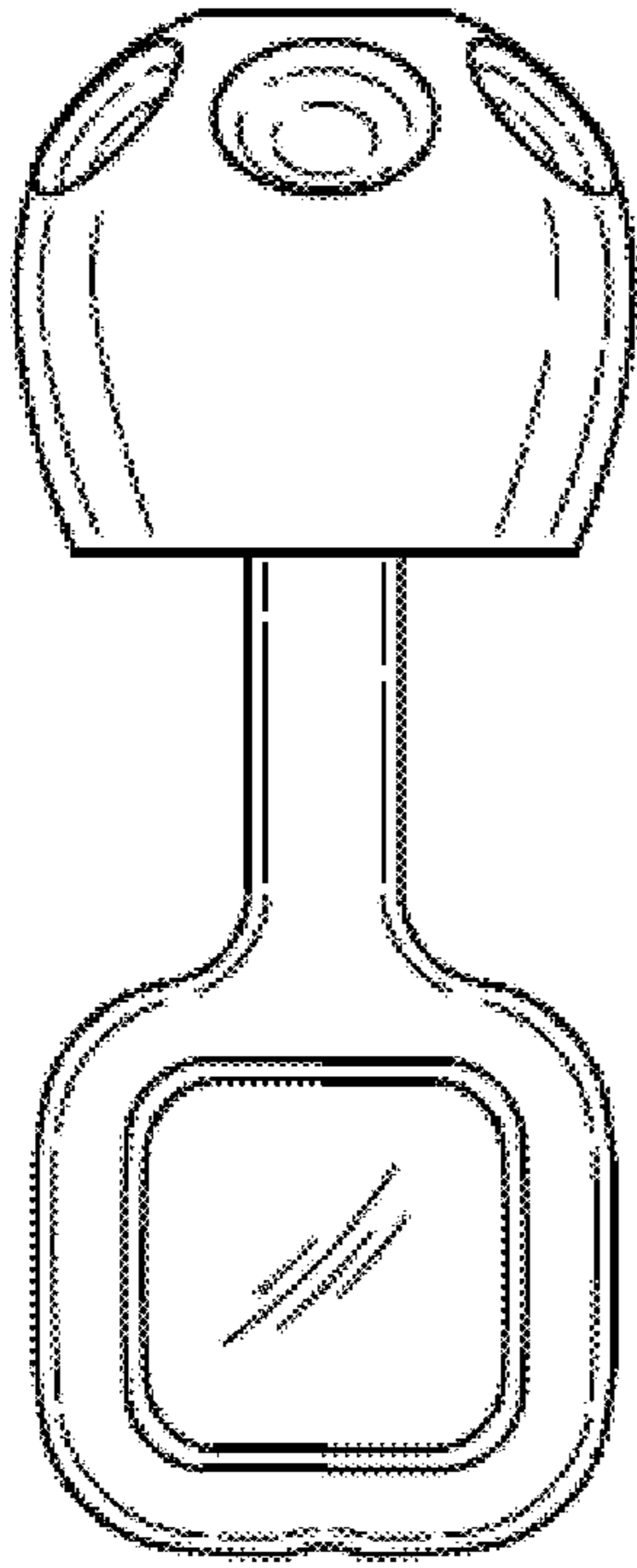


FIG. 12

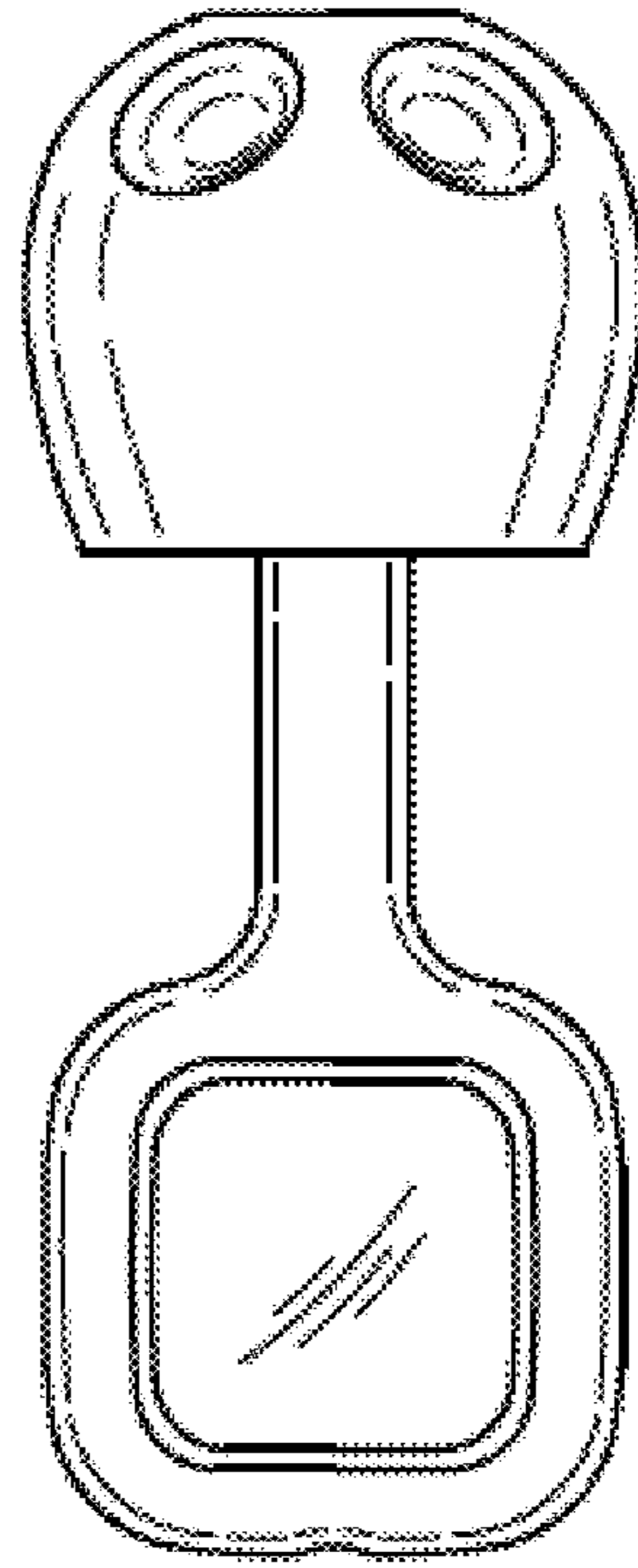


FIG. 13

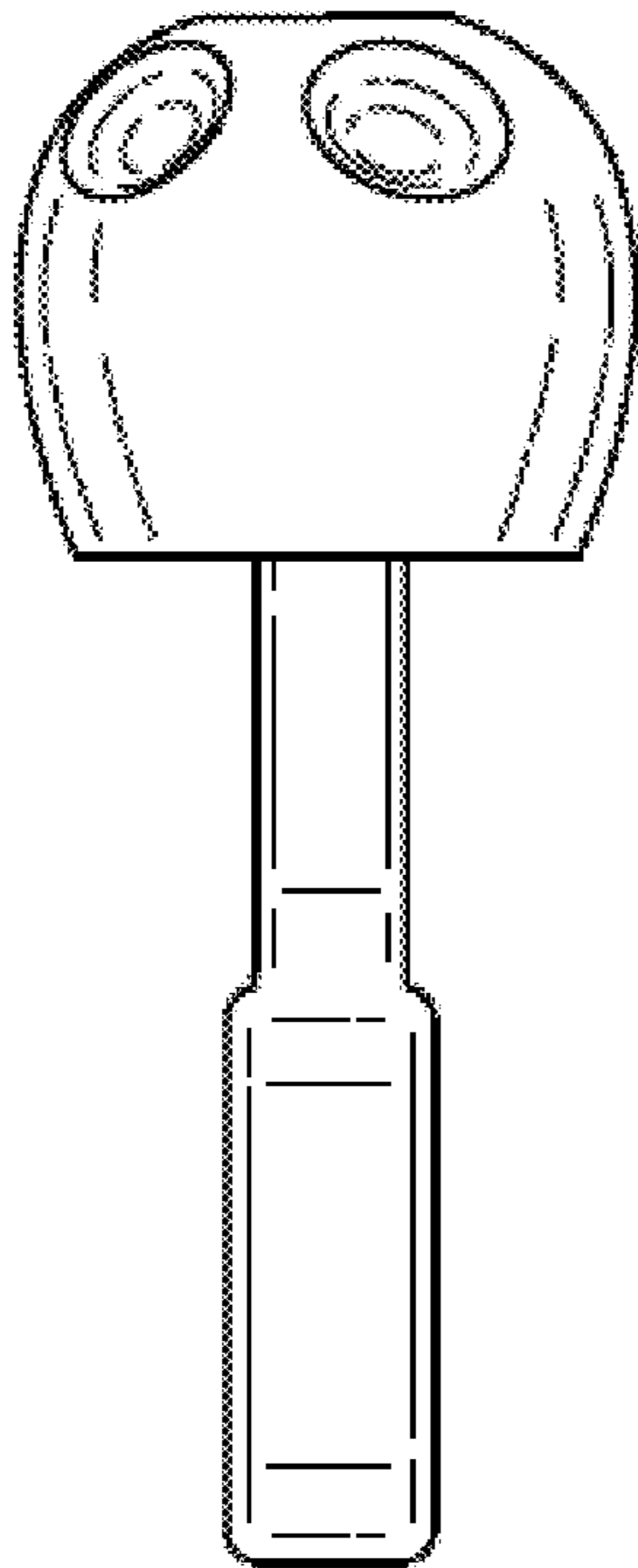


FIG. 14

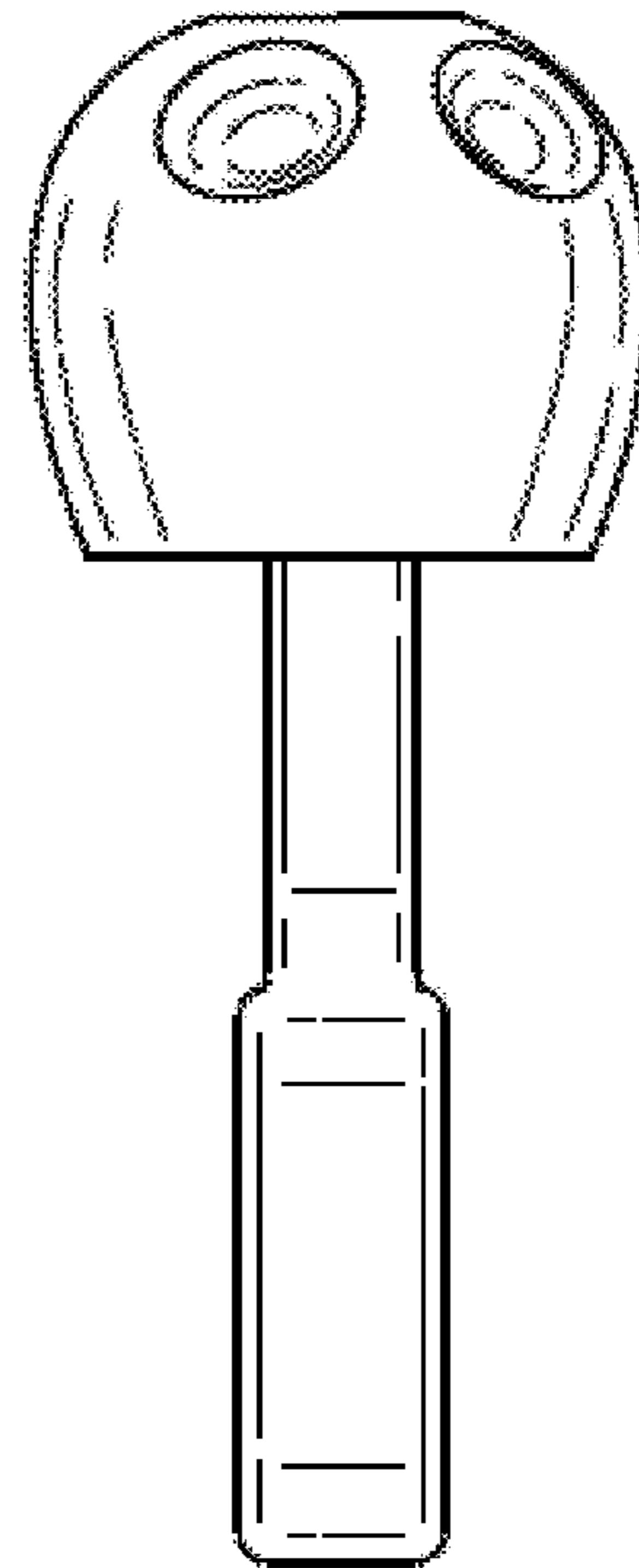


FIG. 15

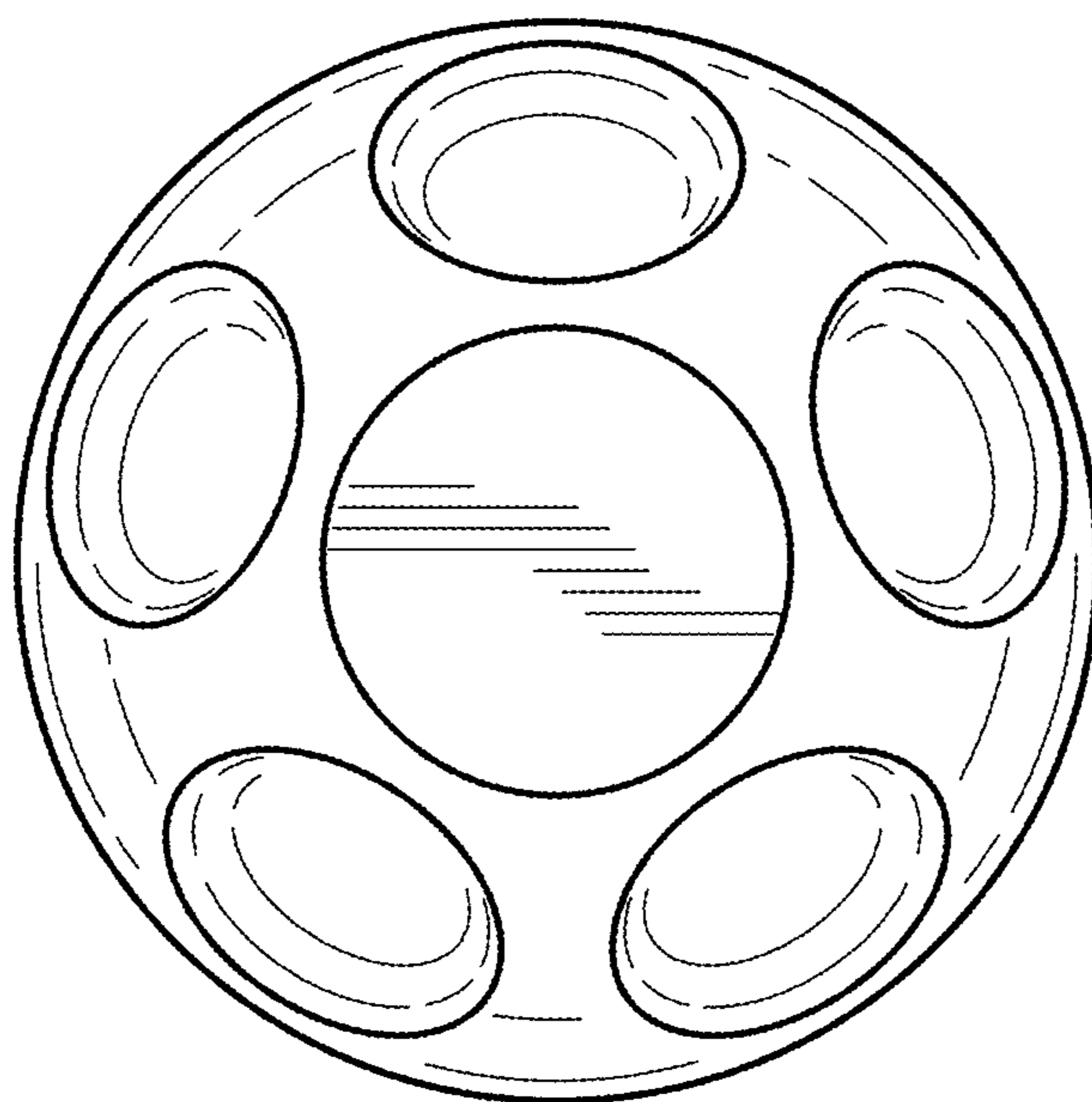


FIG. 16

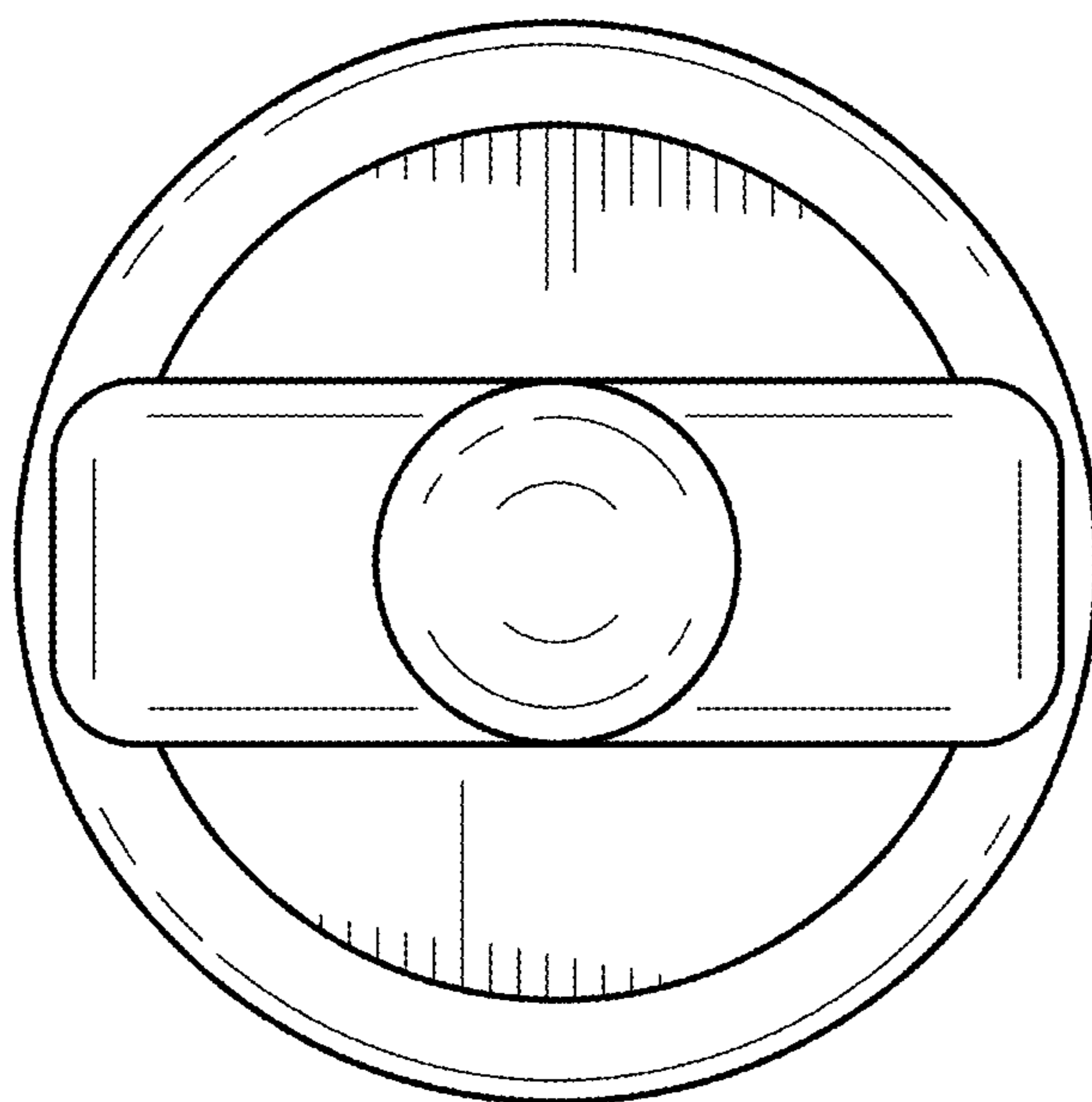


FIG. 17