



US00D788288S

(12) **United States Design Patent** (10) **Patent No.:** **US D788,288 S**  
**Wang et al.** (45) **Date of Patent:** **\*\* May 30, 2017**

(54) **CONDOM HAVING SPECIFIC TEXTURES**

OTHER PUBLICATIONS

(71) Applicant: **Church & Dwight Co., Inc.**, Princeton, NJ (US)

Registered Chinese Trademark for a 6-Segment Massage Condom, RGN 303258719, Jun. 24, 2015.\*

(72) Inventors: **Caihua Wang**, Kendall Park, NJ (US);  
**Arginnys Soto**, Yardley, PA (US);  
**Pamela Dozier**, Doylestown, PA (US)

\* cited by examiner

(73) Assignee: **Church & Dwight Co., Inc.**, Princeton, NJ (US)

*Primary Examiner* — Richelle G Shelton  
(74) *Attorney, Agent, or Firm* — Church & Dwight Co., Inc.

(\*\*) Term: **15 Years**

(57) **CLAIM**

The ornamental design for a condom having specific textures, as shown and described.

(21) Appl. No.: **29/544,066**

**DESCRIPTION**

(22) Filed: **Oct. 30, 2015**

(51) **LOC (10) Cl.** ..... **24-04**

(52) **U.S. Cl.**  
USPC ..... **D24/105**

(58) **Field of Classification Search**  
USPC ..... D24/105, 106, 141, 125, 211, 215;  
D21/440  
CPC ..... A61F 6/04; A61F 2006/048; A61H 19/44  
See application file for complete search history.

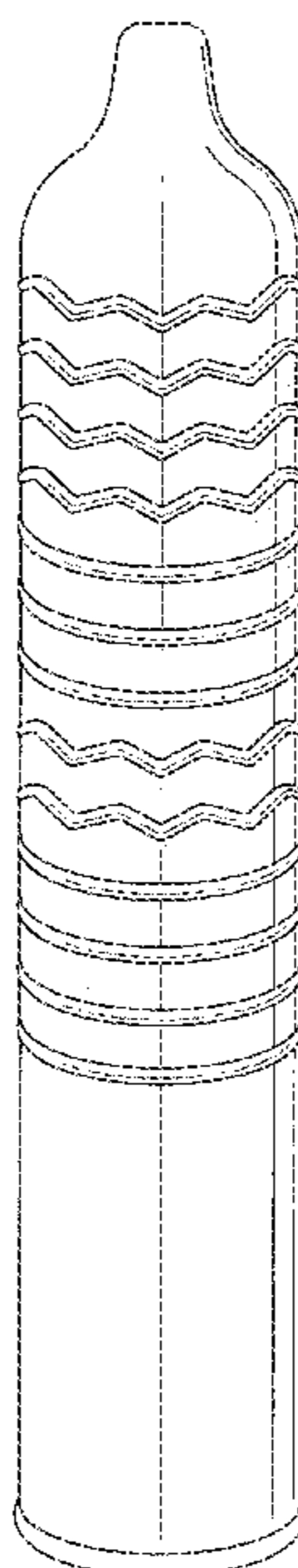
FIG. 1 is a perspective view of a condom having specific textures;  
FIG. 2 is a side elevational view thereof, the opposite side elevational view being identical;  
FIG. 3 is a perspective view of a second embodiment of that shown in FIG. 1;  
FIG. 4 is a side elevational view thereof, the opposite side elevational view being identical;  
FIG. 5 is a perspective view of a third embodiment of that shown in FIG. 1;  
FIG. 6 is a side elevational view thereof, the opposite side elevational view being identical;  
FIG. 7 is a perspective view of a fourth embodiment of that shown in FIG. 1;  
FIG. 8 is a side elevational view thereof, the opposite side elevational view being identical;  
FIG. 9 is a perspective view of a fifth embodiment of that shown in FIG. 1; and,  
FIG. 10 is a side elevational view thereof, the opposite side elevational view being identical.

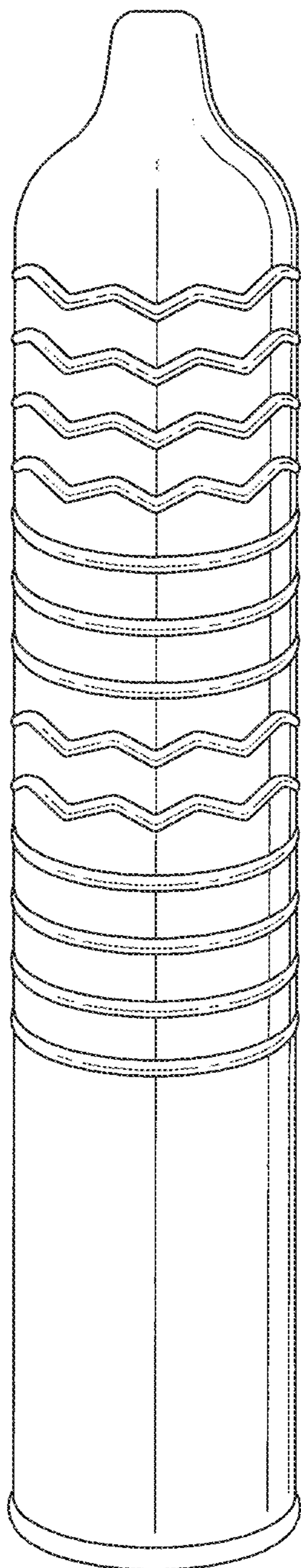
(56) **References Cited**

U.S. PATENT DOCUMENTS

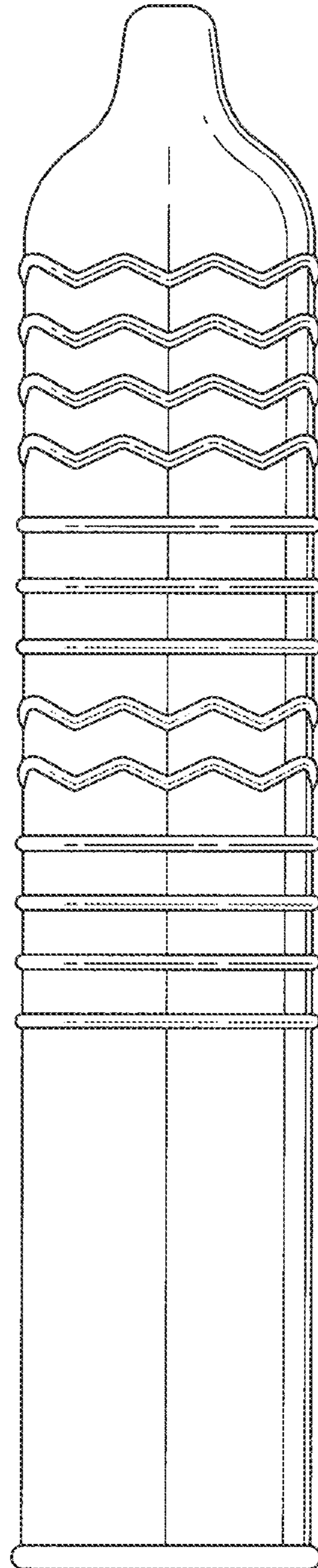
2,285,981	A *	6/1942	Johns	.....	A61F 13/105
					128/846
3,845,766	A *	11/1974	Zoller	.....	A61F 5/4553
					604/330
D246,119	S *	10/1977	Okamoto	.....	128/844
D252,949	S *	9/1979	Okamoto	.....	128/844
D434,138	S *	11/2000	DeVries	.....	D24/105
D698,453	S *	1/2014	Tai	.....	D24/215
D707,810	S *	6/2014	Nguyen	.....	D24/105

**1 Claim, 10 Drawing Sheets**

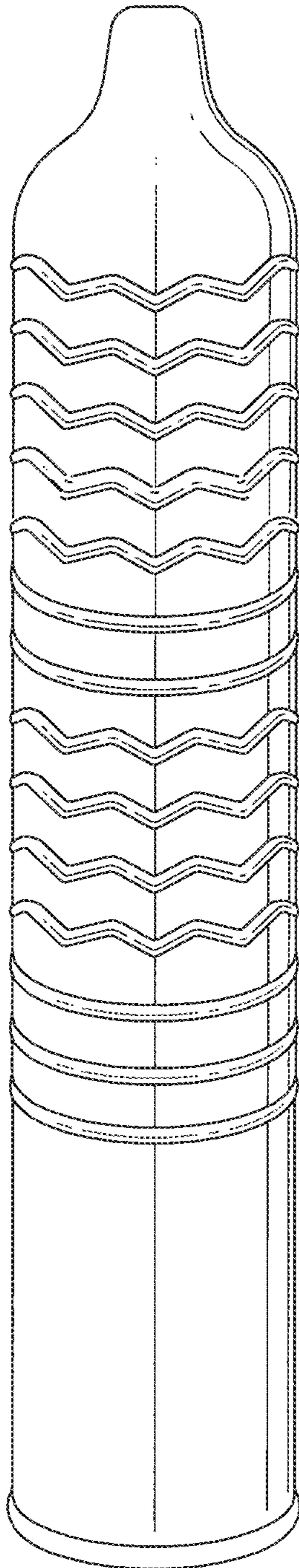




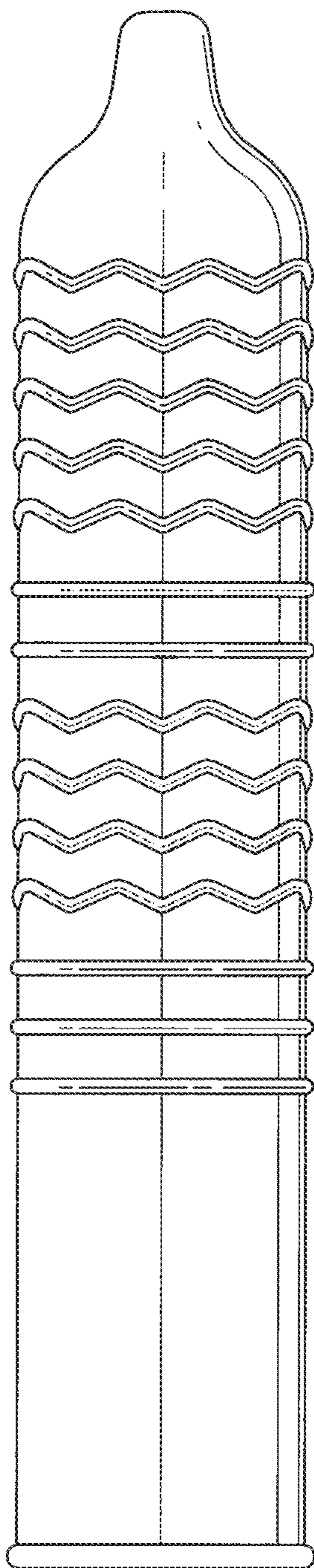
*FIG. 1*



*FIG. 2*

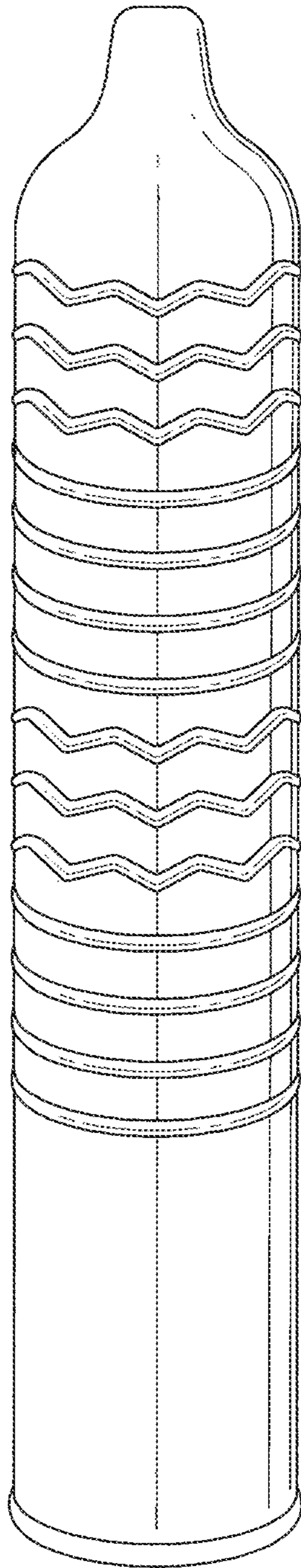


*FIG. 3*

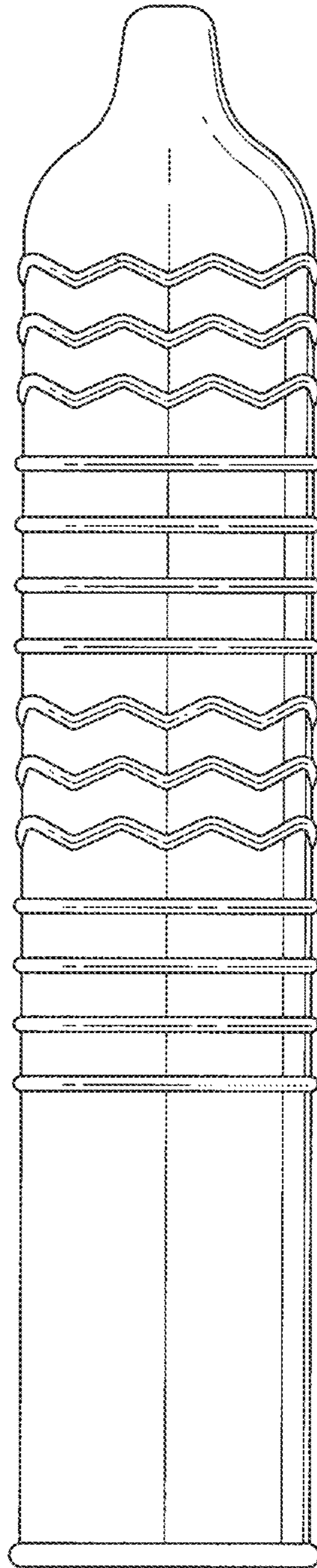


*FIG. 4*

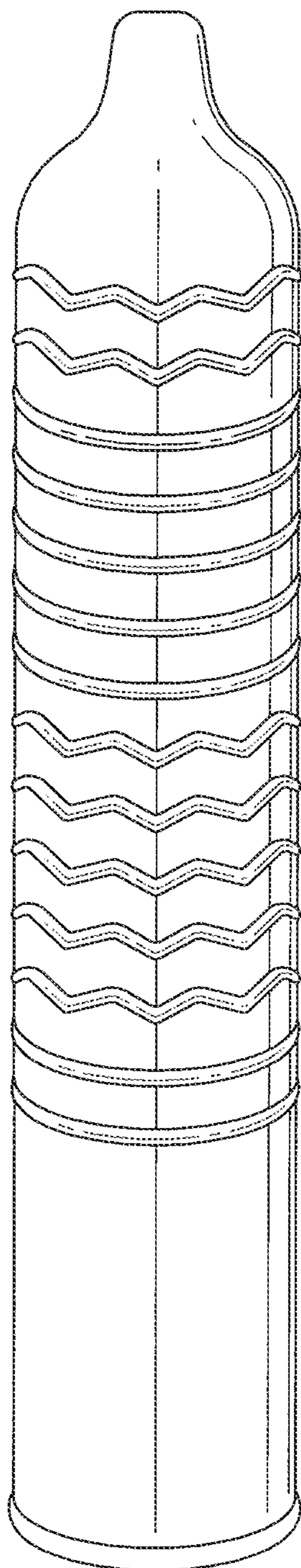




*FIG. 5*

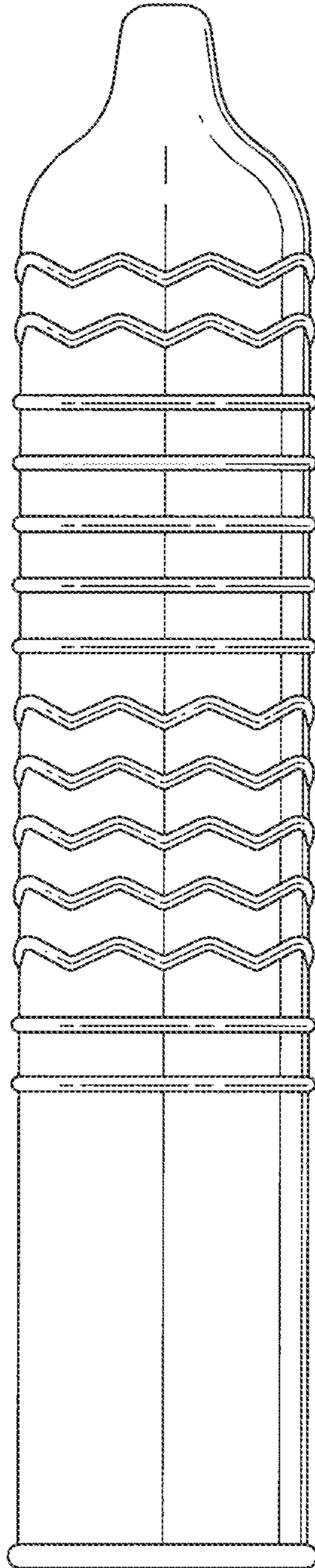


*FIG. 6*

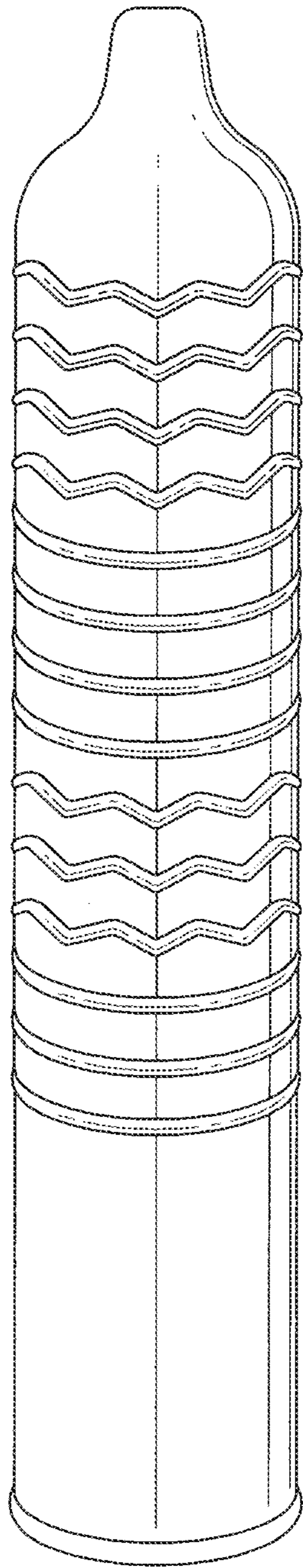


*FIG. 7*

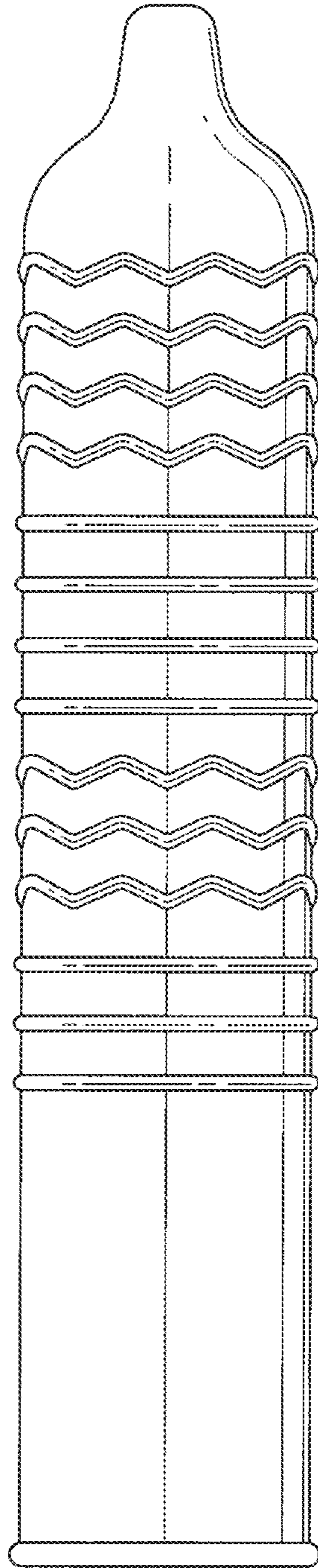




*FIG. 8*



*FIG. 9*



*FIG. 10*